

[54] **WATER CLOSET**

[75] **Inventor: Herbert V. Kohler, Jr., Kohler, Wis.**

[73] **Assignee: Kohler Co., Kohler, Wis.**

[\*\*] **Term: 14 Years**

[21] **Appl. No.: 726,992**

[22] **Filed: Apr. 25, 1985**

[52] **U.S. Cl. .... D23/301**

[58] **Field of Search ..... D23/65-67;  
4/300, 328-332, 420**

D. 268,779 4/1983 Doman .  
D. 268,780 4/1983 Doman et al. .  
D. 271,326 11/1983 Doman et al. .  
4,162,548 7/1979 Groombridge et al. .... 4/300

*Primary Examiner—James R. Largen*  
*Attorney, Agent, or Firm—Quarles & Brady*

[57] **CLAIM**

The ornamental design for a water closet, as shown and described.

**DESCRIPTION**

FIG. 1 is a top perspective view of a water closet showing my new design;

FIG. 2 is a top plan view thereof;

FIG. 3 is a front elevational view thereof;

FIG. 4 is a left side elevational view thereof; and

FIG. 5 is a right side elevational view thereof.

The broken line representation of fitting holes in FIGS. 1, 2 and 4 are for illustration only.

[56] **References Cited**

**U.S. PATENT DOCUMENTS**

D. 186,707 11/1959 Harrison ..... D23/65  
D. 198,018 4/1964 Wadsworth .  
D. 224,108 7/1972 Doman .  
D. 250,202 11/1978 Doman et al. .  
D. 262,647 1/1982 Kaiser ..... D23/65

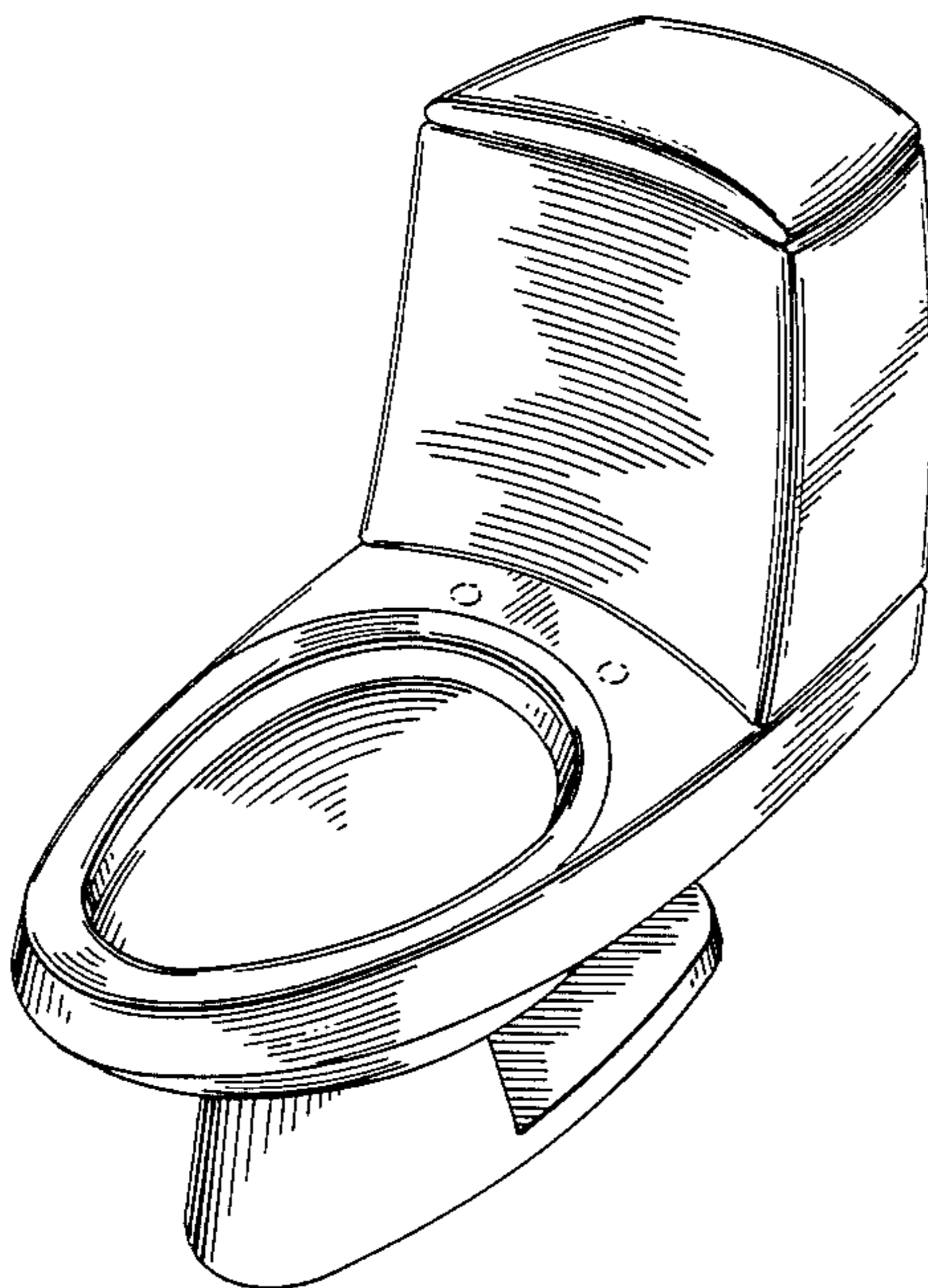


FIG. 1

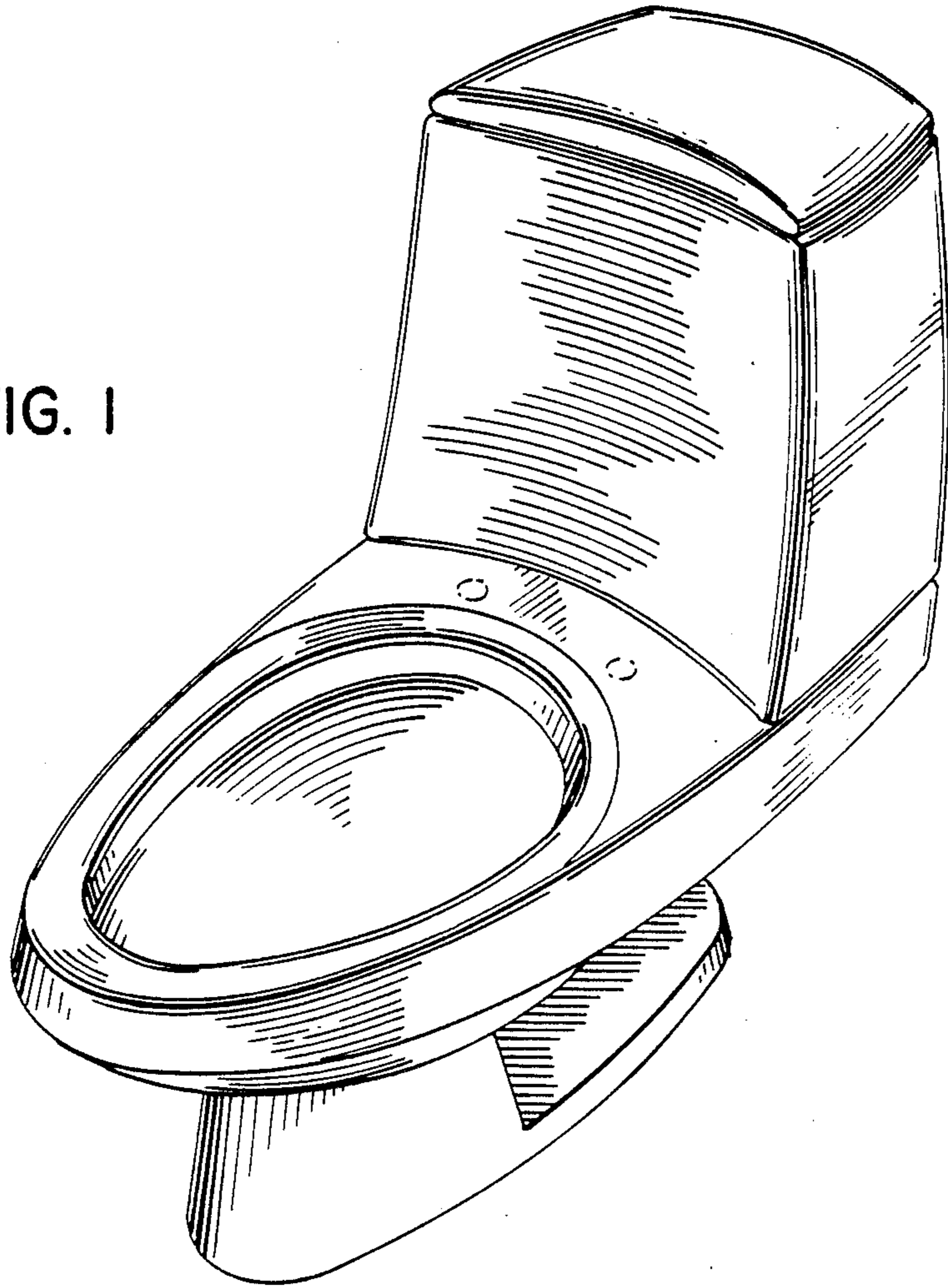


FIG. 2

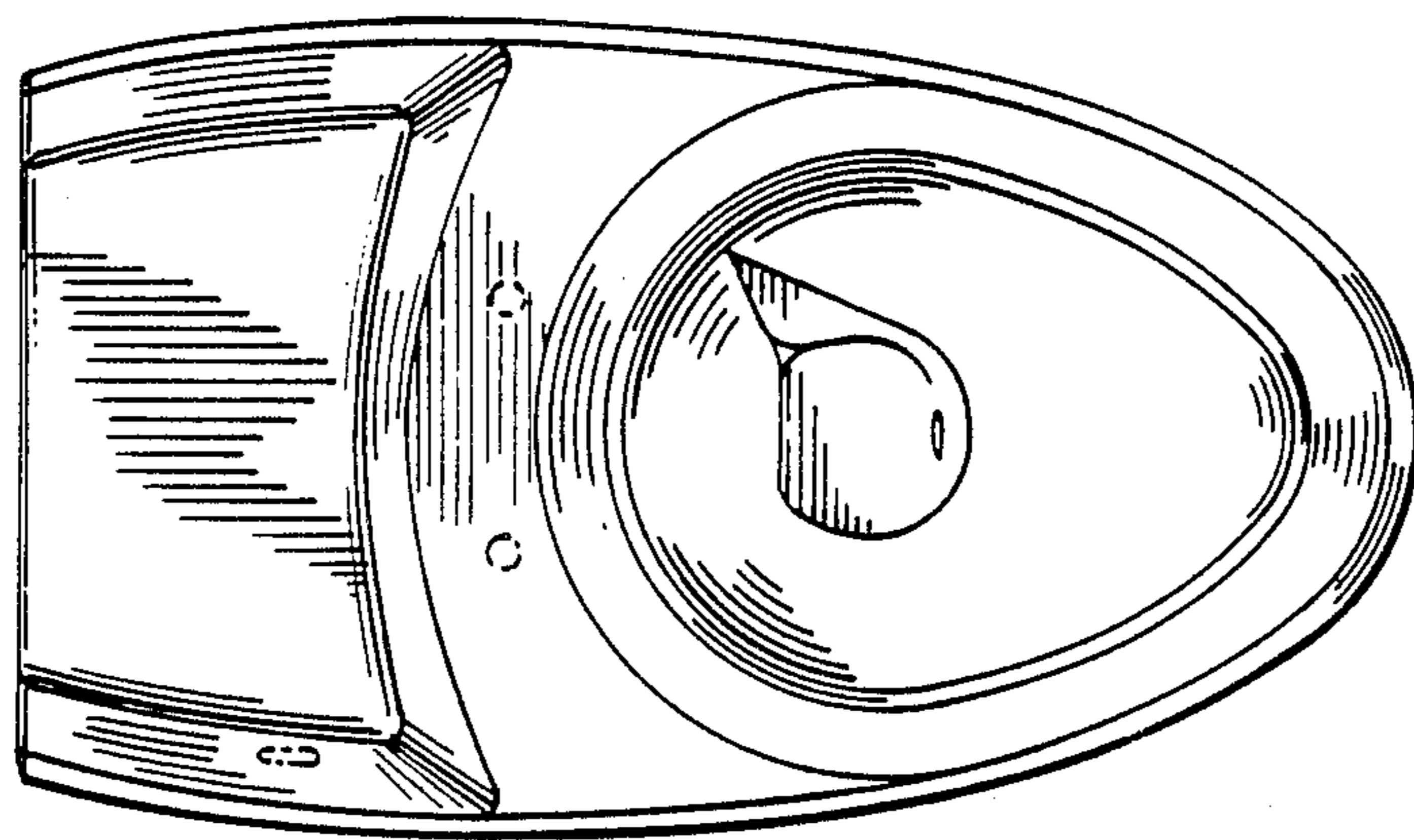


FIG. 3

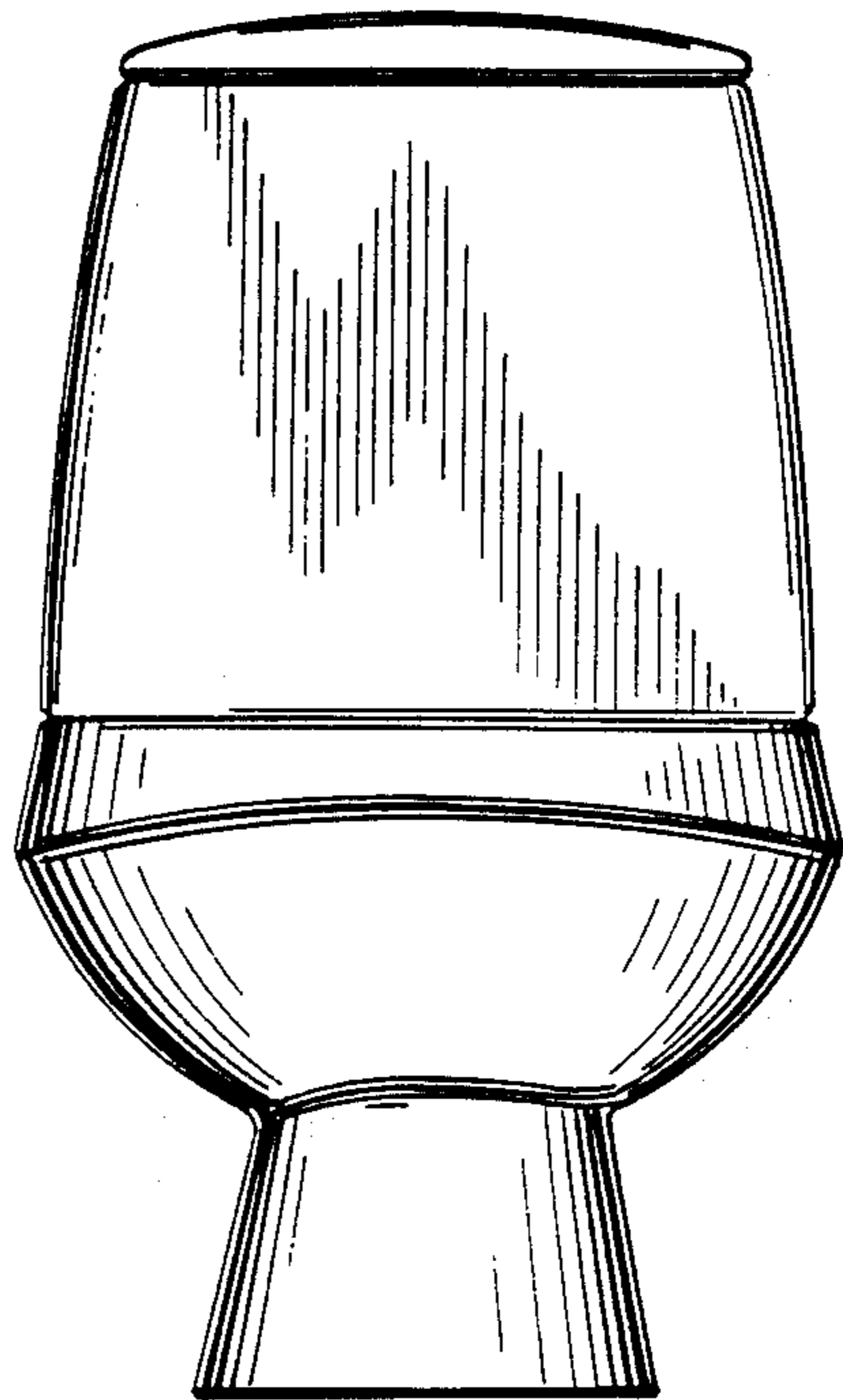


FIG. 4

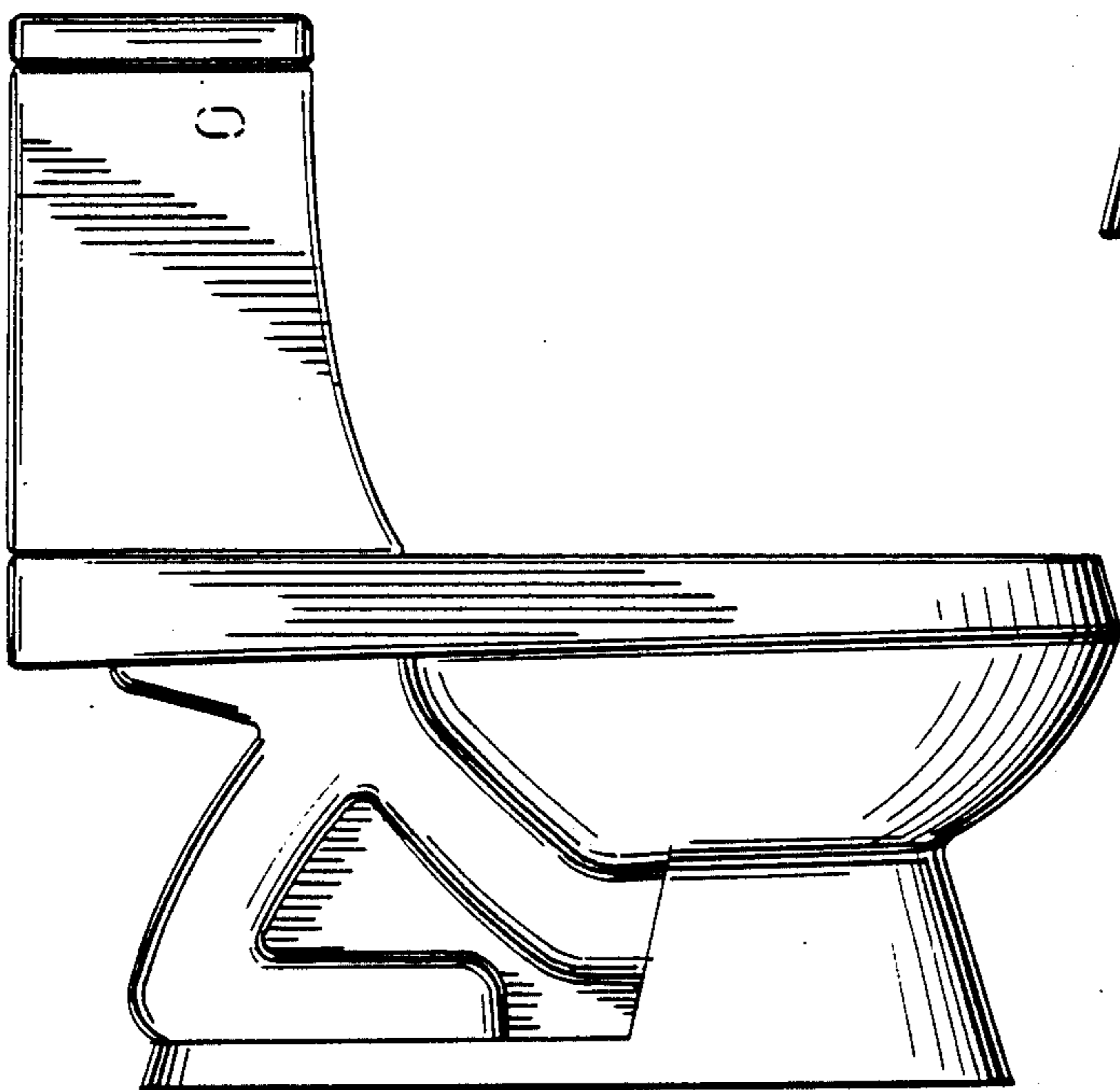


FIG. 5

