

[54] FAUCET

[75] Inventor: Axel Enthoven, Wijnegem, Belgium

[73] Assignee: American Standard Inc., New York, N.Y.

[**] Term: 14 Years

[21] Appl. No.: 735,927

[22] Filed: May 20, 1985

[30] Foreign Application Priority Data

Nov. 20, 1984 [XB] Benelux 03457/01-05

[52] U.S. Cl. D23/241

[58] Field of Search D23/23-32;
4/191, 192; 137/606, 625.17, 625.4, 625.41, 801

[56] References Cited

U.S. PATENT DOCUMENTS

- D. 121,281 7/1940 Keller D23/25
- D. 141,715 6/1945 Trombley D23/25

- D. 159,051 6/1950 Darr D23/25
- D. 224,402 7/1972 Jenner D23/25
- D. 226,660 4/1973 Mendenhall et al. D23/25
- D. 245,091 7/1977 Saether D23/25
- D. 266,104 9/1982 Johnson D23/25
- 4,313,469 2/1982 Johnson 137/801 X

Primary Examiner—James R. Largen
Attorney, Agent, or Firm—Robert G. Crooks; John P. Sinnott; James J. Salerno, Jr.

[57] CLAIM

The ornamental design for faucet, as shown and described.

DESCRIPTION

FIG. 1 is a top plan view of a faucet showing my new design;
FIG. 2 is a bottom plan view thereof;
FIG. 3 is a right side elevational view thereof, the left side being a mirror image of the right side shown;
FIG. 4 is a front elevational view thereof; and
FIG. 5 is a rear elevational view thereof.

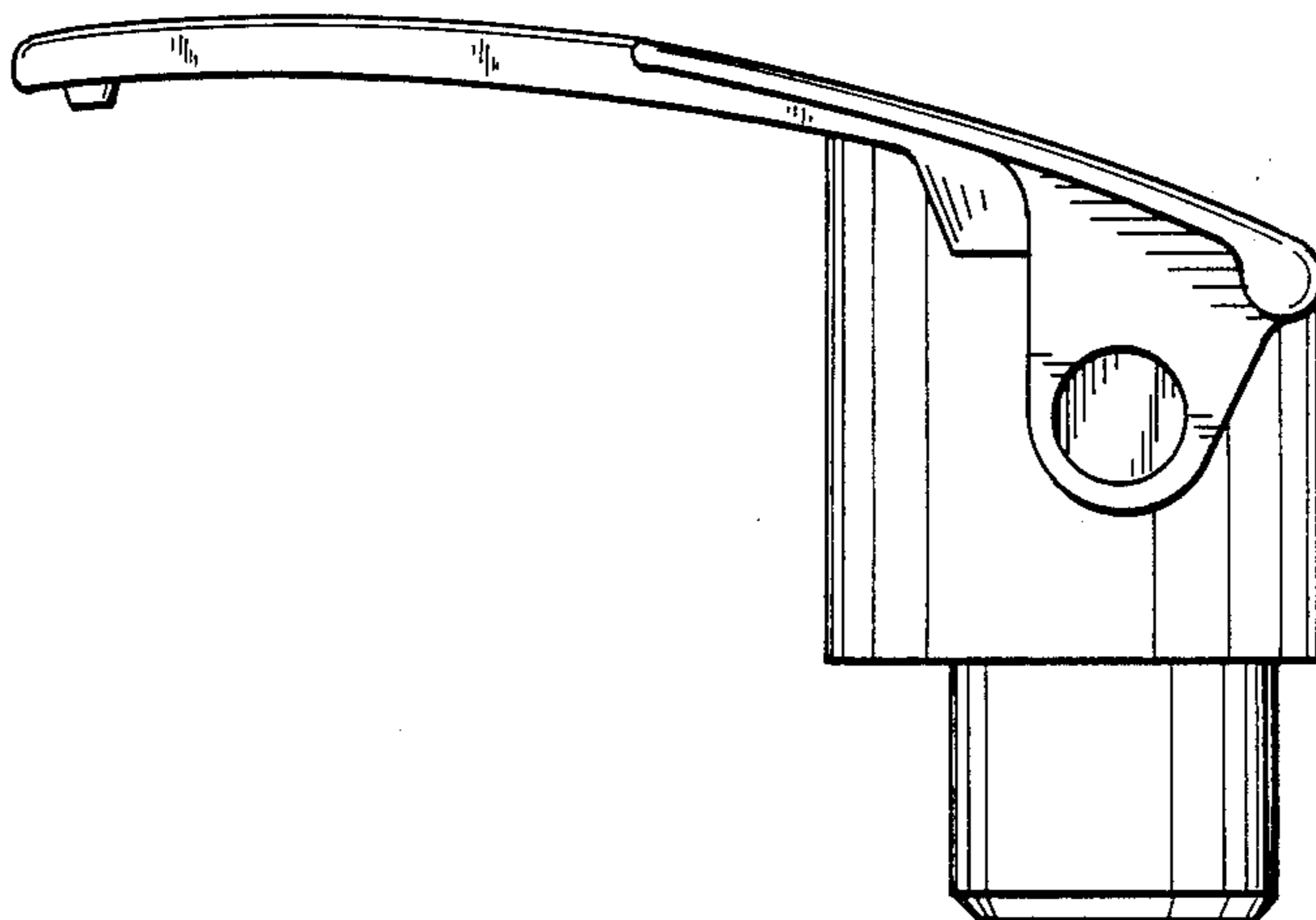
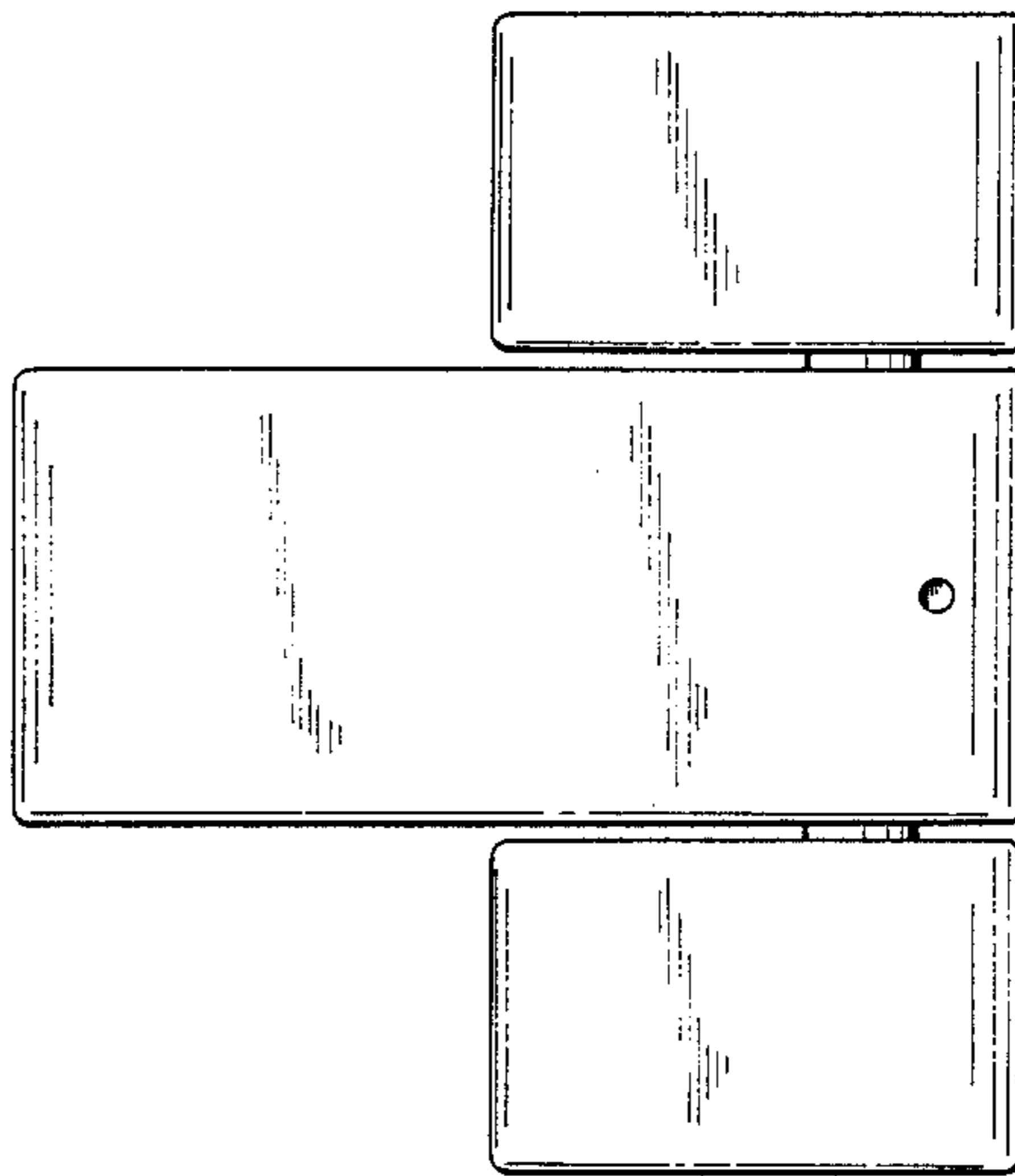


FIG. 1

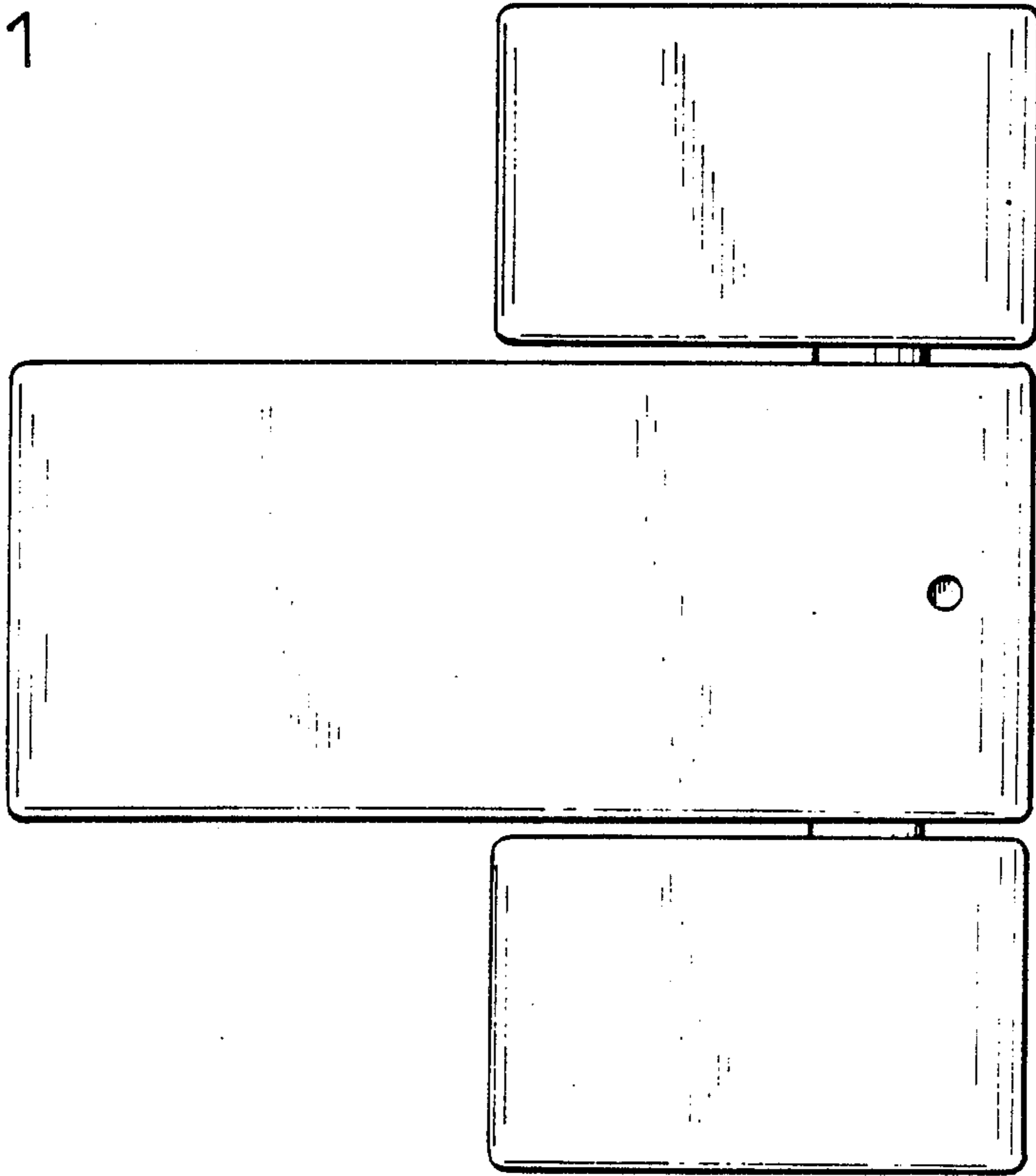


FIG. 2

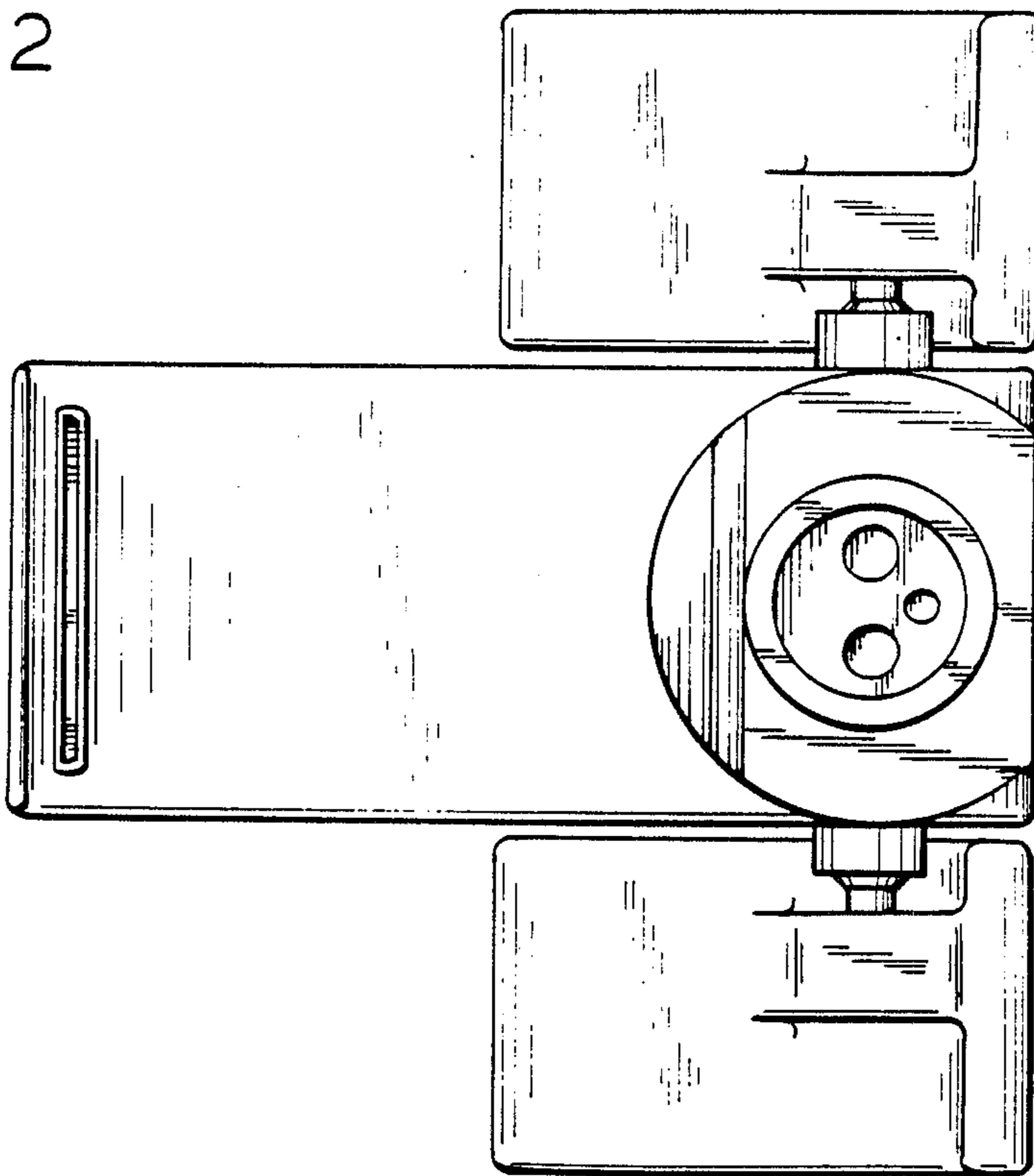


FIG. 3

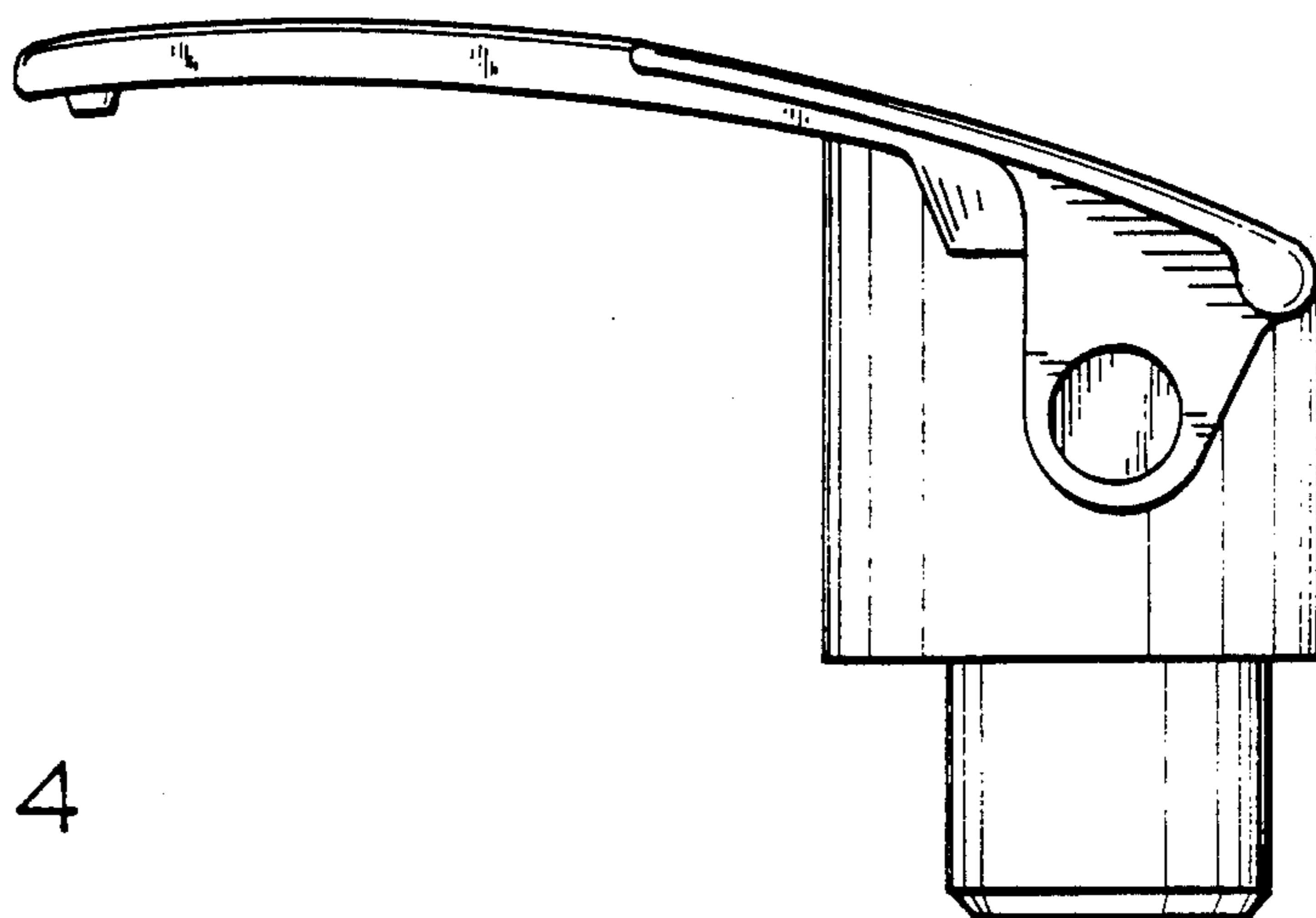


FIG. 4

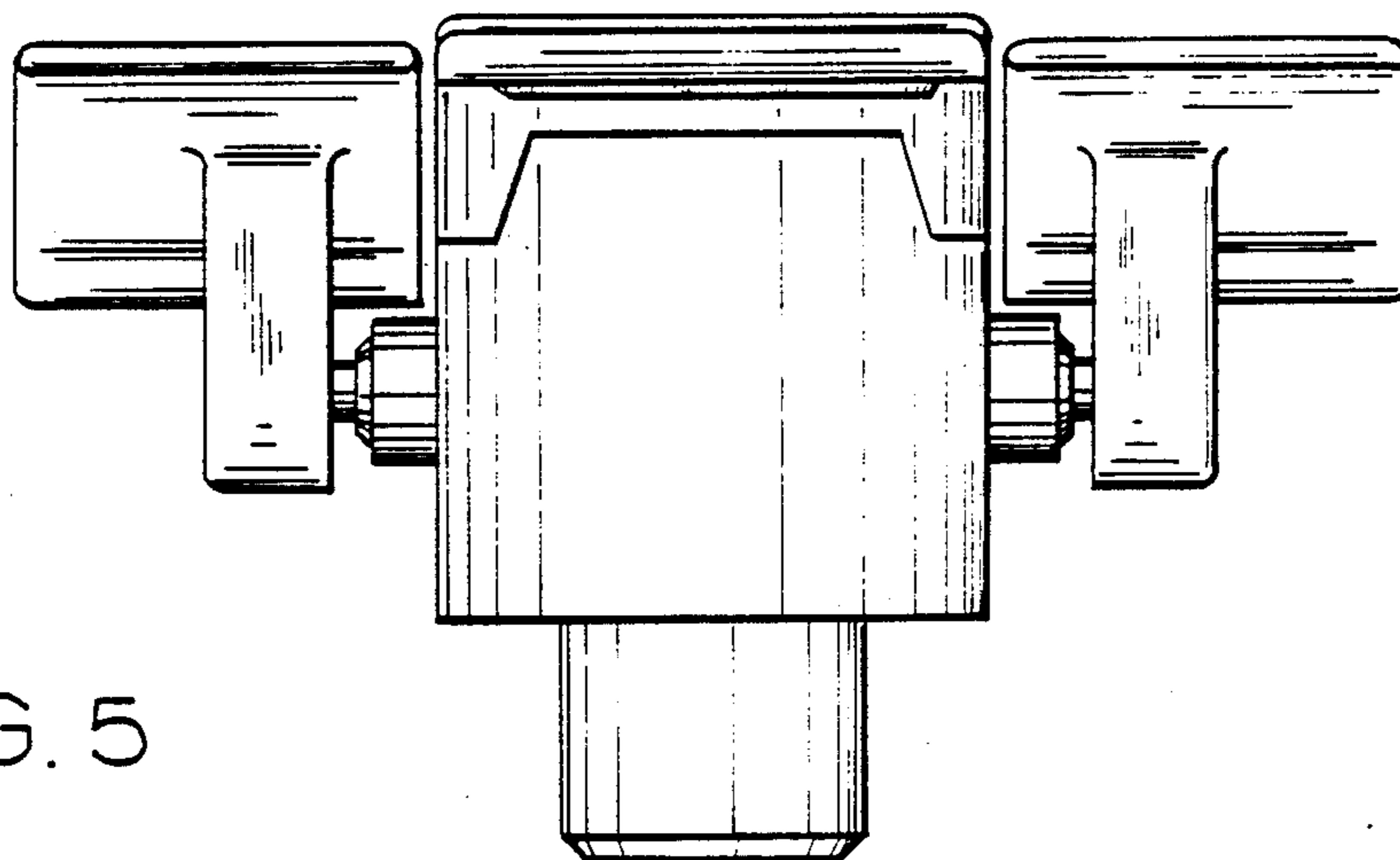


FIG. 5

