

[54] CARD PUNCH

[76] Inventor: Virgil B. Carnahan, R.D. #1, Cresco, Pa. 18326

[**] Term: 14 Years

[21] Appl. No.: 669,596

[22] Filed: Nov. 8, 1984

[52] U.S. Cl. D19/72

[58] Field of Search D19/72; 186/56; 235/434, 487, 489; 30/363; 227/76

[56] References Cited

U.S. PATENT DOCUMENTS

D. 145,647 9/1946 Stewart D19/72 X

3,372,482	3/1968	Mercorelli	30/363 X
4,166,404	9/1979	Almoq	D19/72 X
4,240,572	12/1980	Mitsubishi	D19/72 X

Primary Examiner—Robert C. Spangler
Attorney, Agent, or Firm—Ruth Moyerman

[57] CLAIM

The ornamental design for a card punch, as shown and described.

DESCRIPTION

FIG. 1 is a side elevational view of a card punch showing my new design, with a card being shown in broken lines for illustrative purpose only; FIG. 2 is a bottom, front isometric view thereof; and FIG. 3 is a top, rear isometric view thereof.

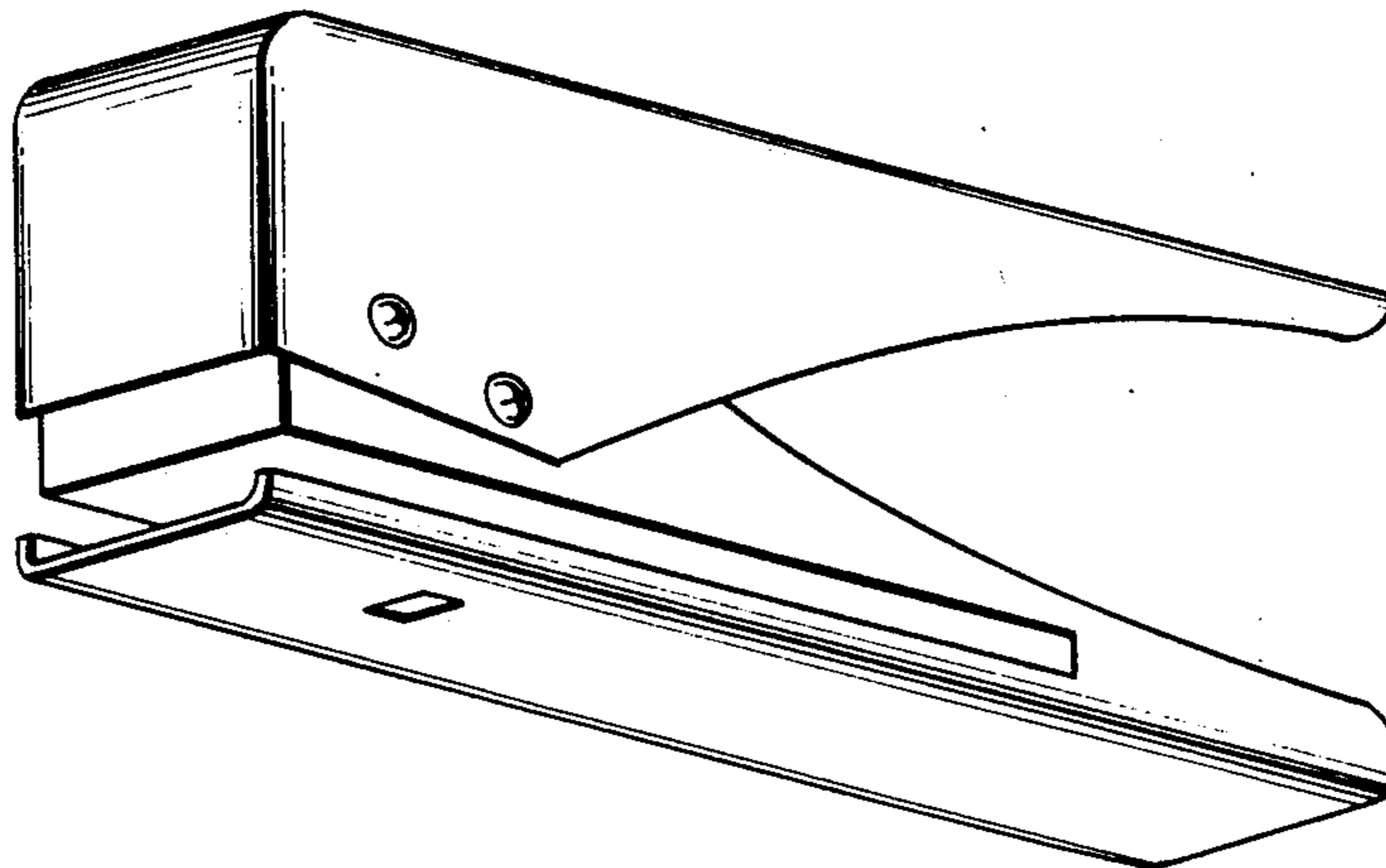


FIG. 1

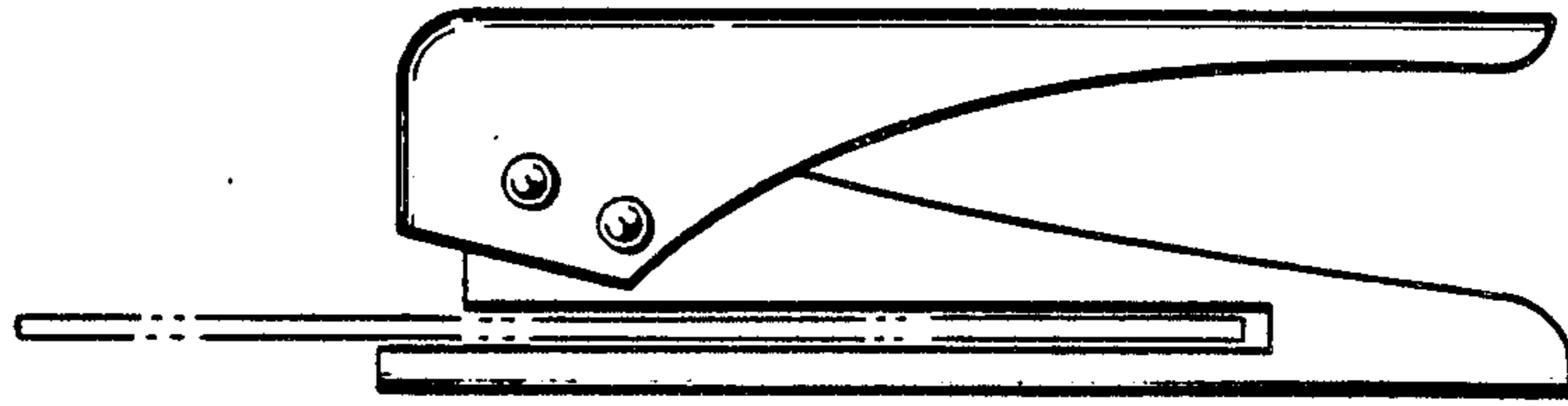


FIG. 2

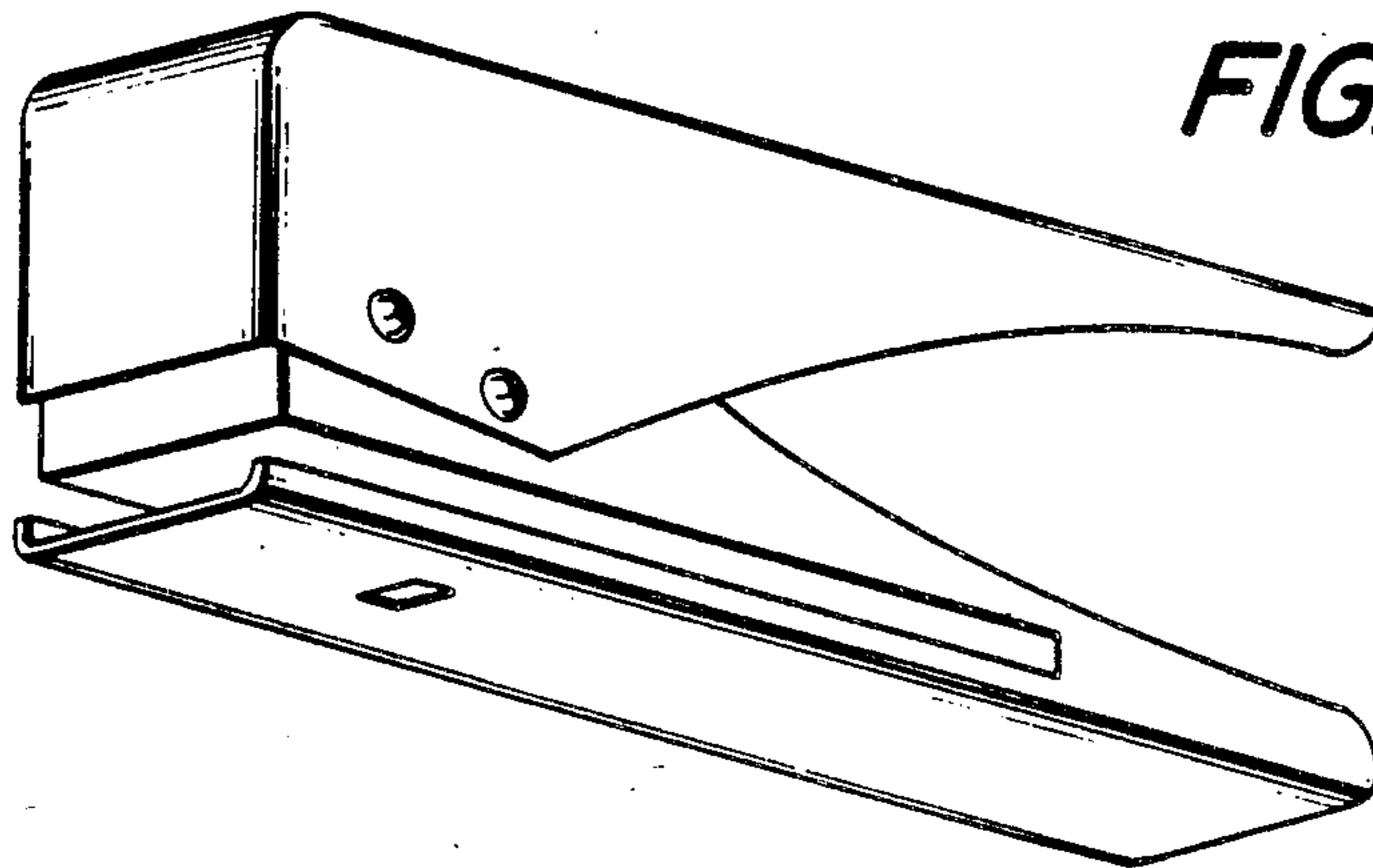


FIG. 3

