

[54] COMBINED PRINTER STAND AND PAPER REFOLDING APPARATUS

[75] Inventor: James B. Clark, Oakdale, Calif.

[73] Assignee: MicroComputer Accessories, Inc., Los Angeles, Calif.

[**] Term: 14 Years

[21] Appl. No.: 782,308

[22] Filed: Oct. 1, 1985

[52] U.S. Cl. D18/23; D6/406; D6/419; D6/420

[58] Field of Search D18/13, 22, 23; D14/107, 111, 114; D6/406, 407, 419, 420, 462; 312/208; 493/410; 400/689-693, 694

[56] References Cited

U.S. PATENT DOCUMENTS

- D. 226,999 5/1973 Jessen D6/420 X
- D. 286,715 11/1986 Schriener D6/462
- 4,570,802 2/1986 Murphy 400/691

OTHER PUBLICATIONS

Global Computer Supplies Catalog #C51, p. 32-Desktop Printer Stand at bottom.

Primary Examiner—Louis S. Zarfes
Attorney, Agent, or Firm—Robert S. Smith

[57] CLAIM

The ornamental design for a combined printer stand and paper refolding apparatus, as shown.

DESCRIPTION

FIG. 1 is a front elevational view of a combined printer stand and paper refolding apparatus showing my new design;

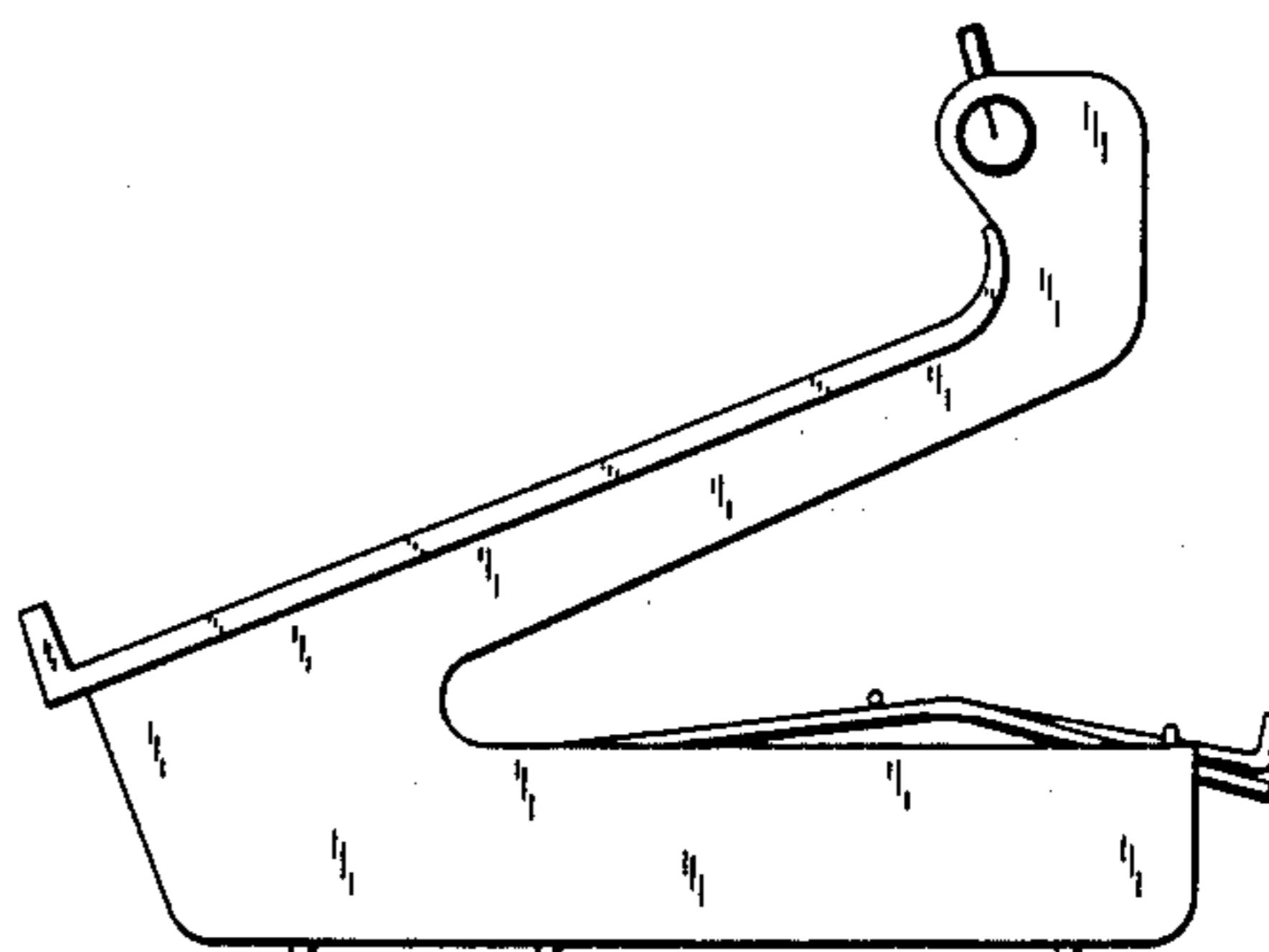
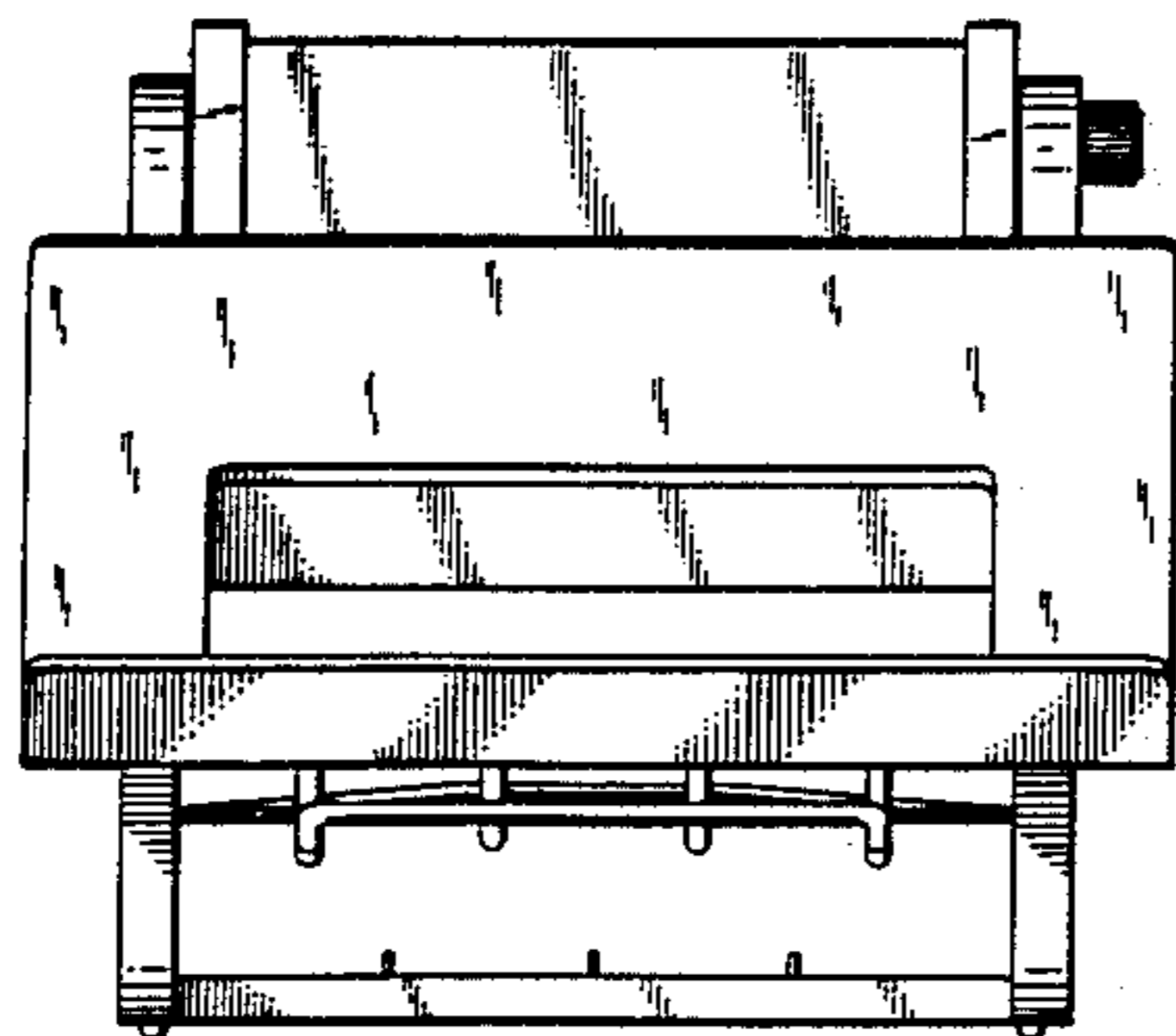
FIG. 2 is a right side elevational view of the printer stand and paper refolding apparatus.

FIG. 3 is a rear elevational view of the printer stand and paper refolding apparatus.

FIG. 4 is a left elevational view of the printer stand and paper refolding apparatus.

FIG. 5 is a top plan view thereof; and

FIG. 6 is a bottom plan view thereof.



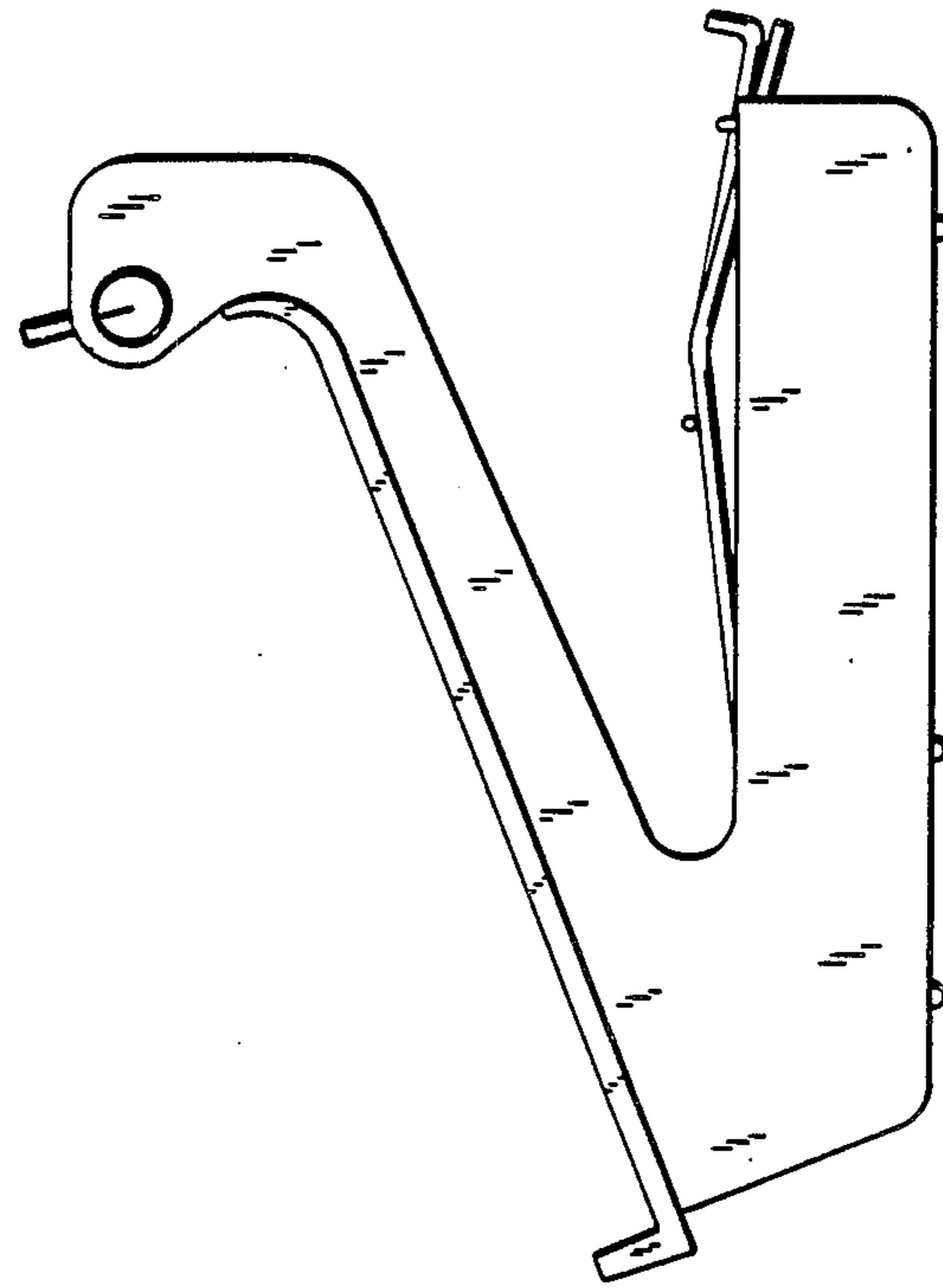


FIG. 2

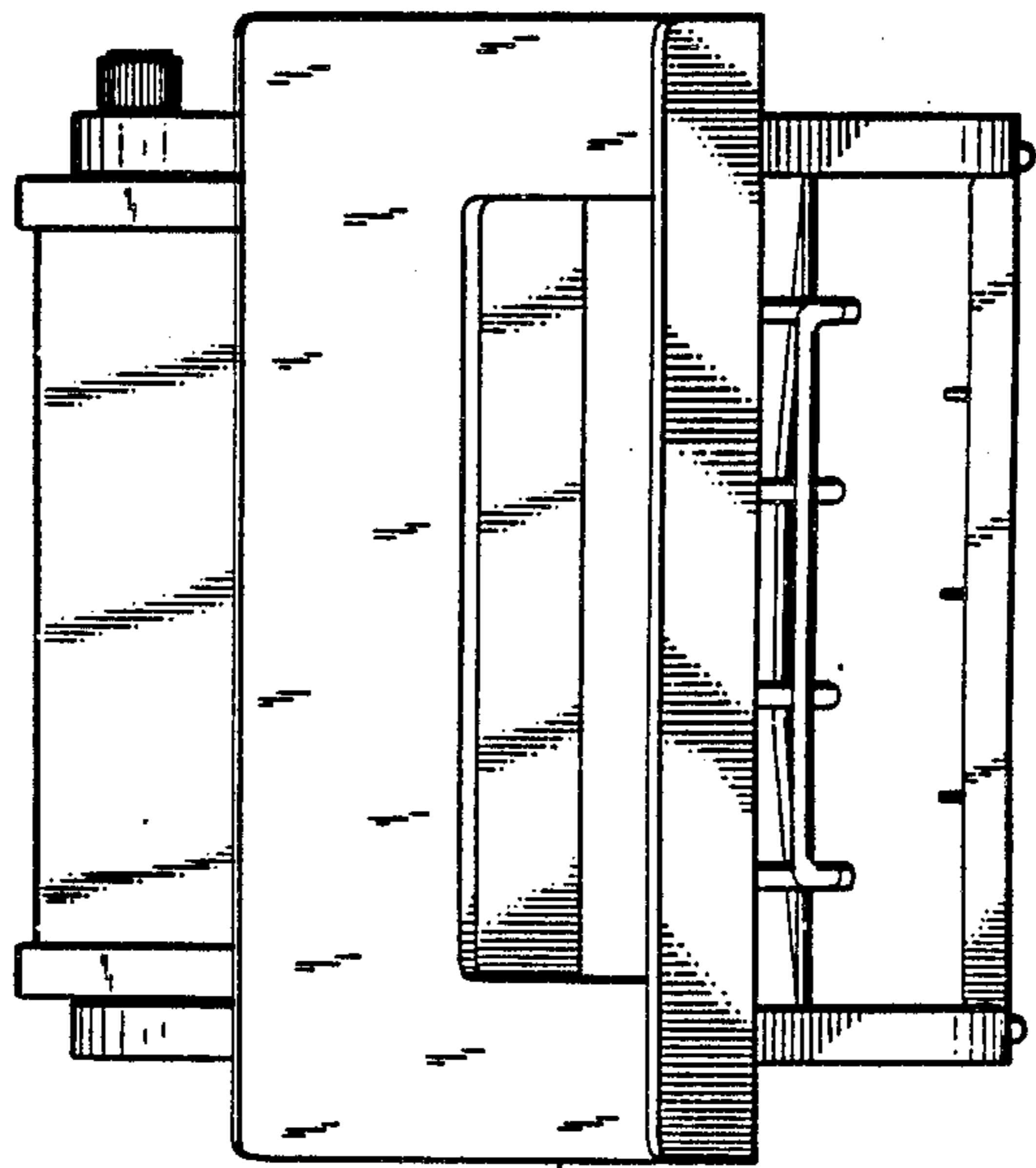


FIG. 1

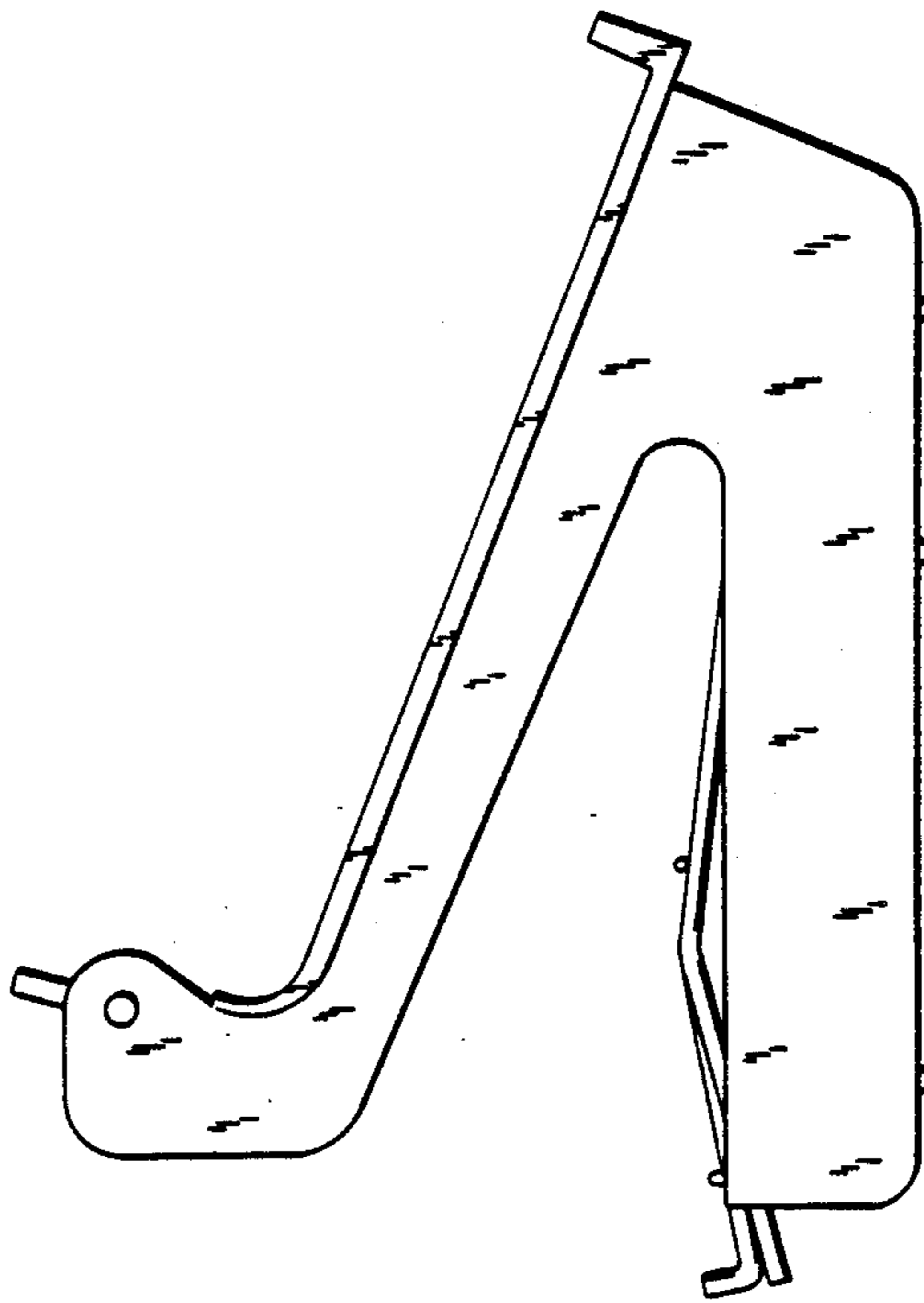


FIG. 4

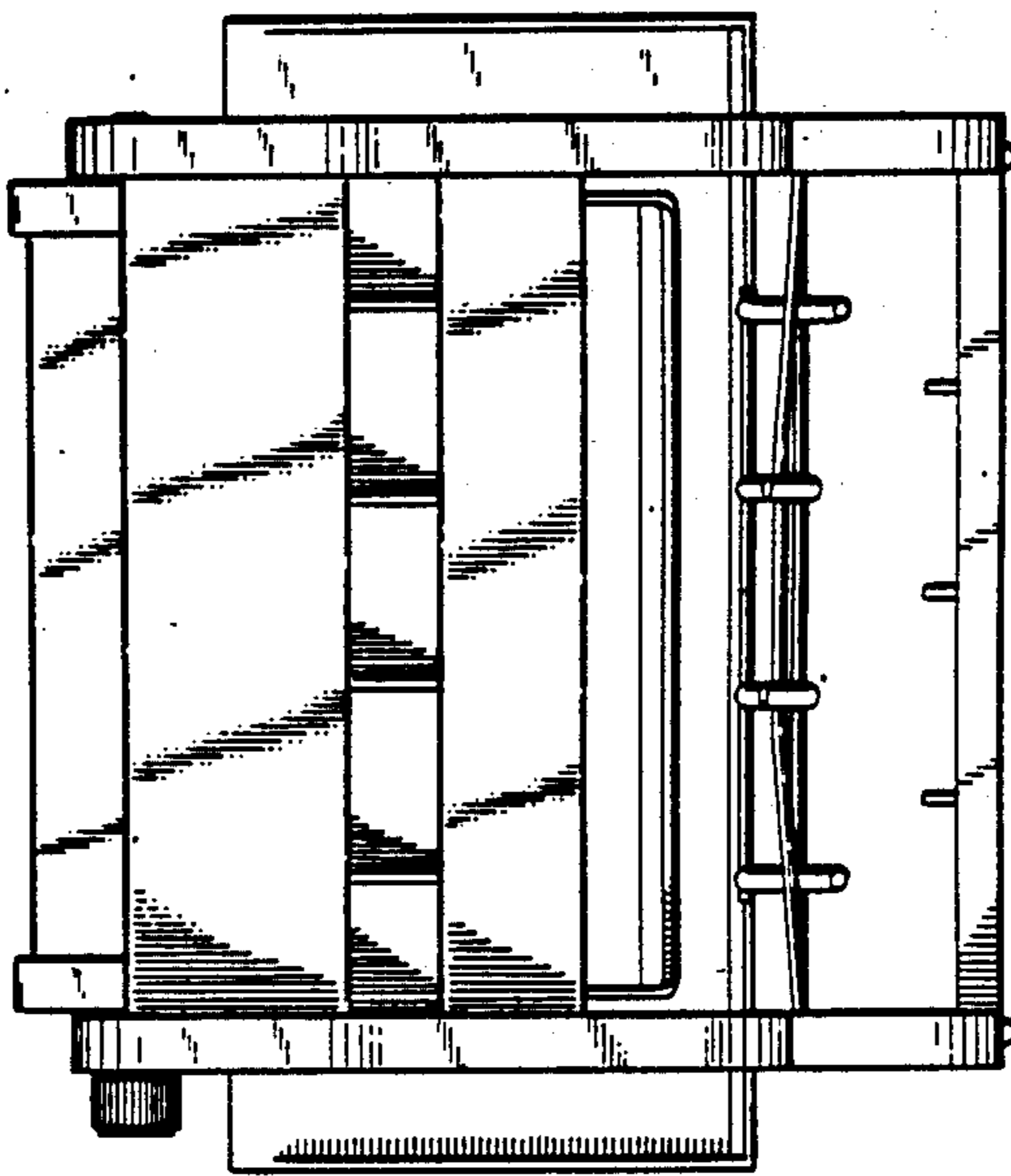


FIG. 3

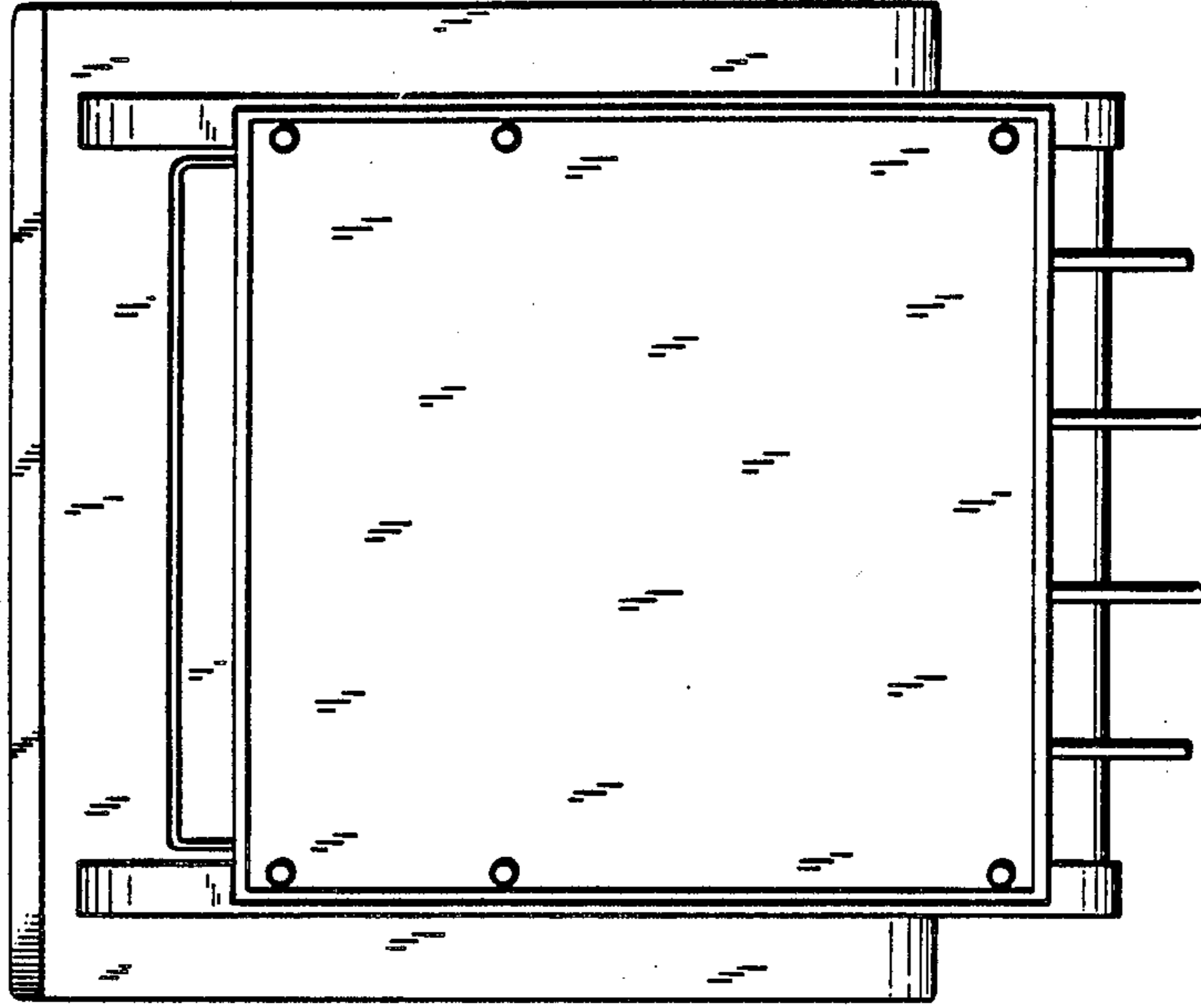


FIG. 6

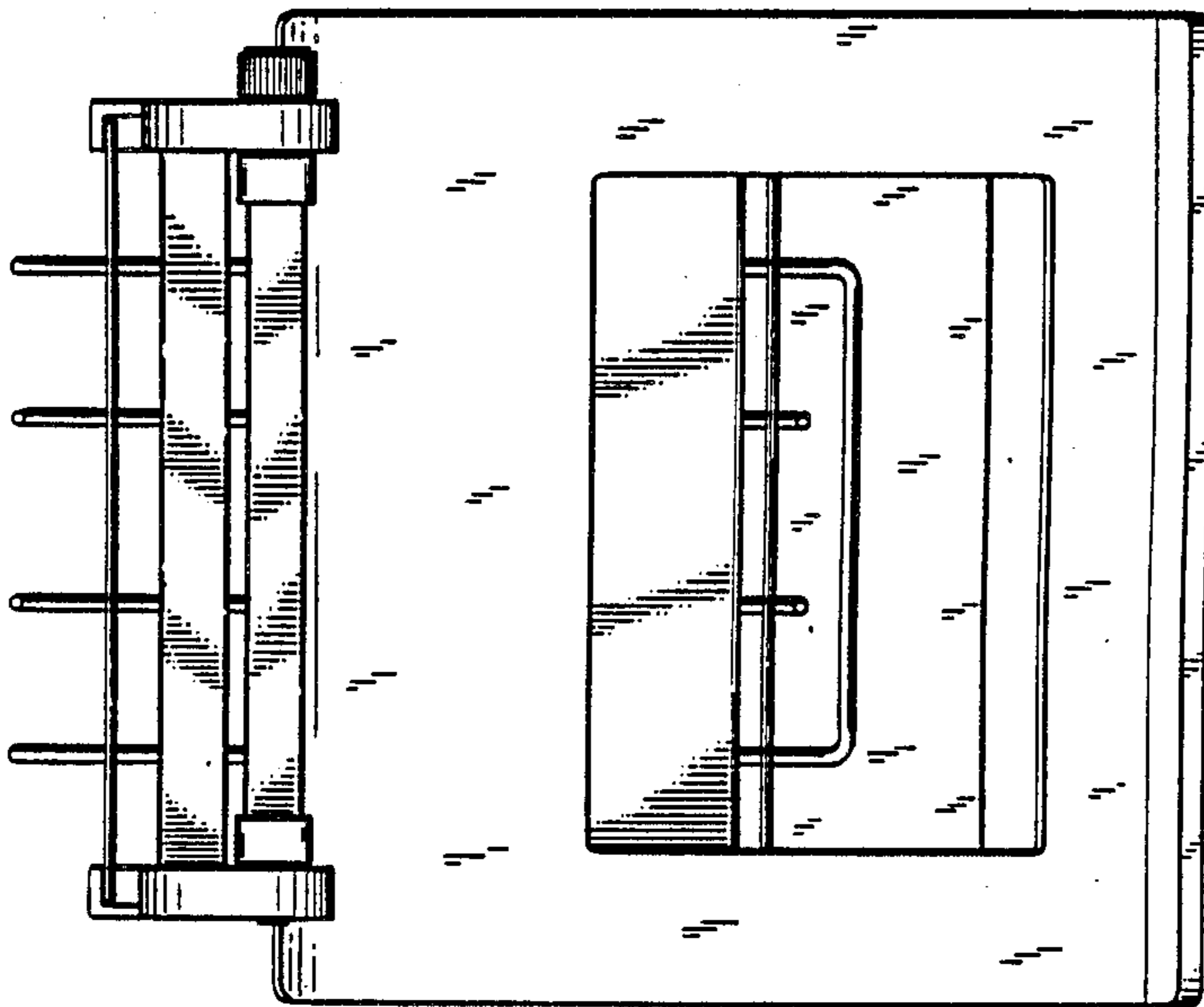


FIG. 5