

[54] PRINTER

D. 285,211 8/1986 Nibley et al. D18/13

[75] Inventor: Takahisa Yubisui

Primary Examiner—Louis S. Zarfes
Attorney, Agent, or Firm—Flehr, Hohbach, Test,
Albritton & Herbert

[73] Assignee: Sharp Corporation, Osaka, Japan

[**] Term: 14 Years

[57] CLAIM

[21] Appl. No.: 753,636

The ornamental design for a printer, as shown and de-
scribed.

[22] Filed: Jul. 10, 1985

DESCRIPTION

[30] Foreign Application Priority Data

Jan. 10, 1985 [JP] Japan 60-603

FIG. 1 is a top plan view of the printer showing my new
design;

[52] U.S. Cl. D18/13

FIG. 2 is a bottom plan view thereof;

[58] Field of Search D18/13, 22, 23;
D14/107, 111, 114, 94; 400/118, 694, 689-693

FIG. 3 is a front elevational view thereof;

FIG. 4 is a rear elevational view thereof;

FIG. 5 is a right side elevational view thereof;

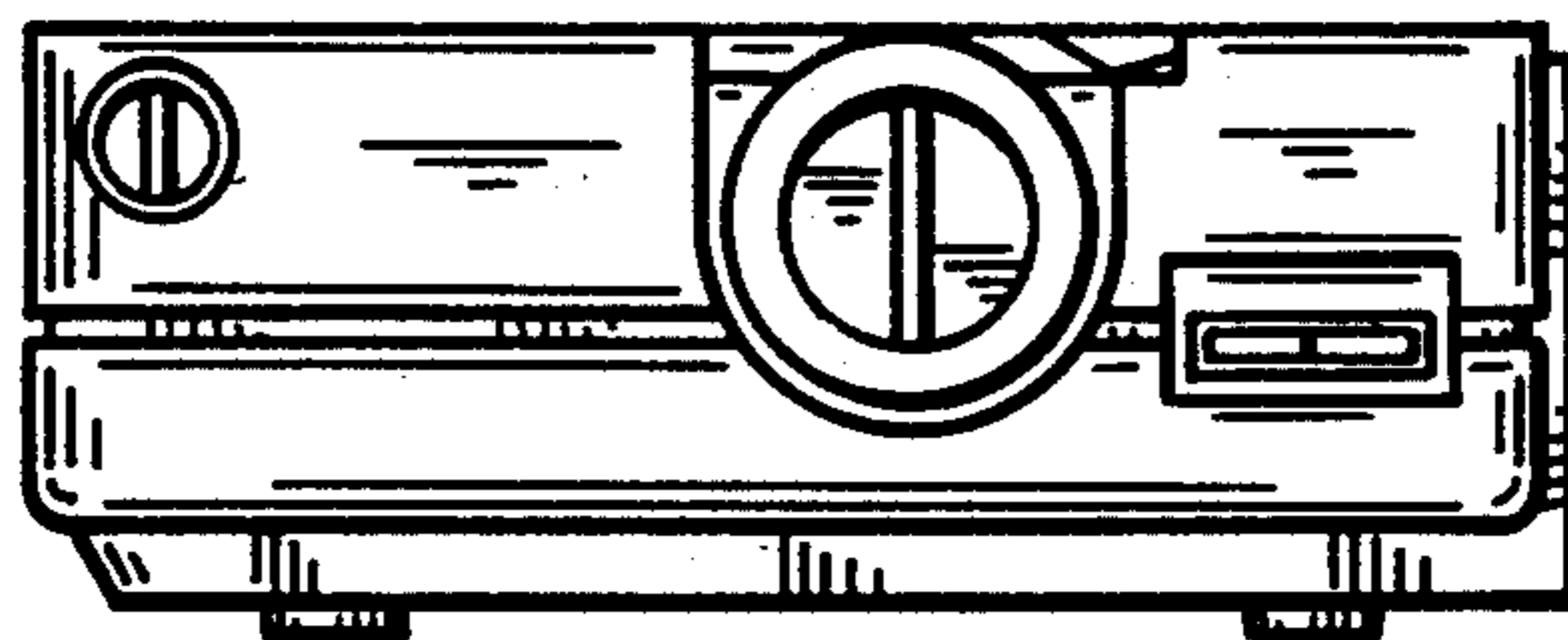
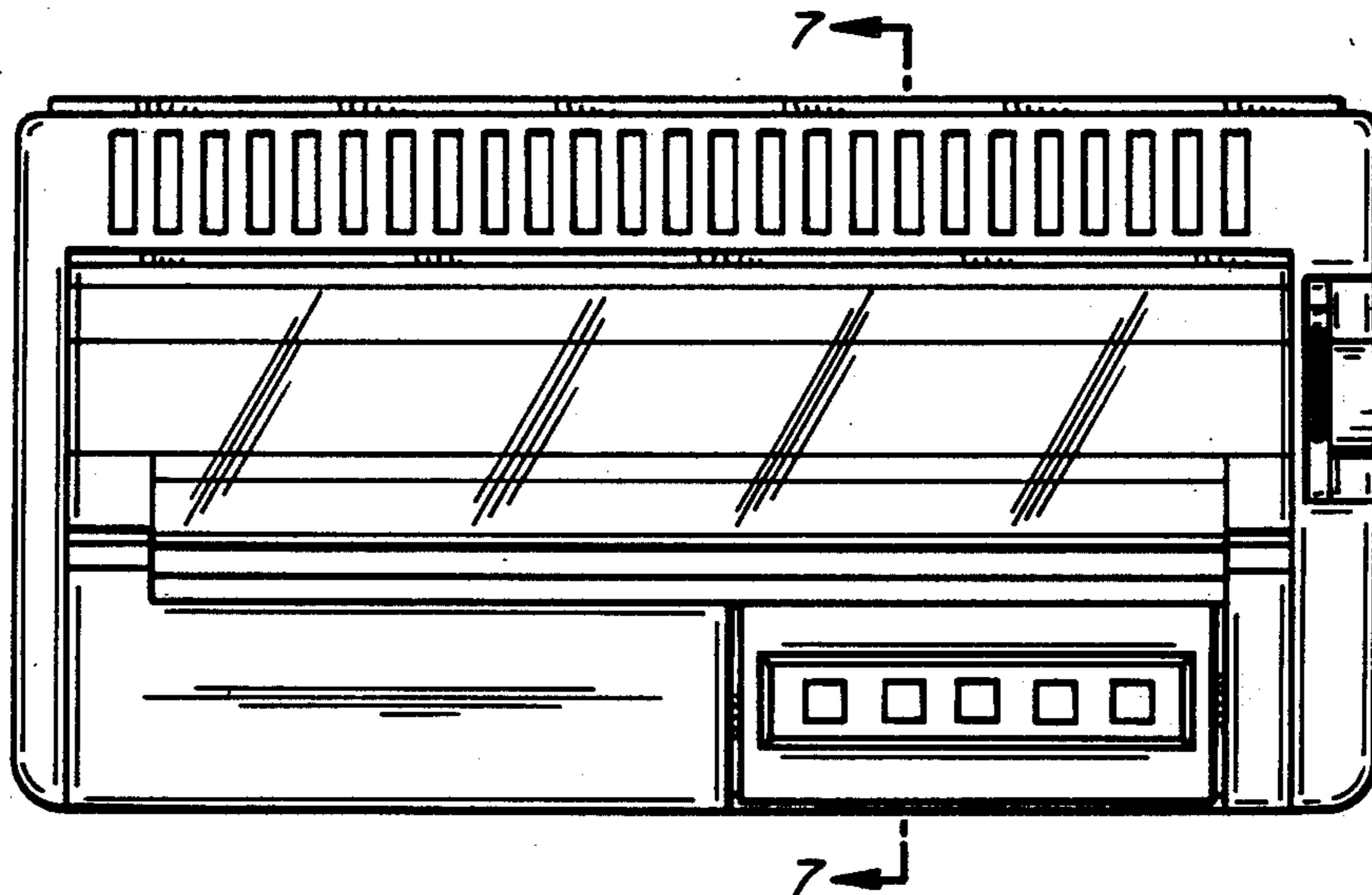
FIG. 6 is a left side elevational view thereof; and

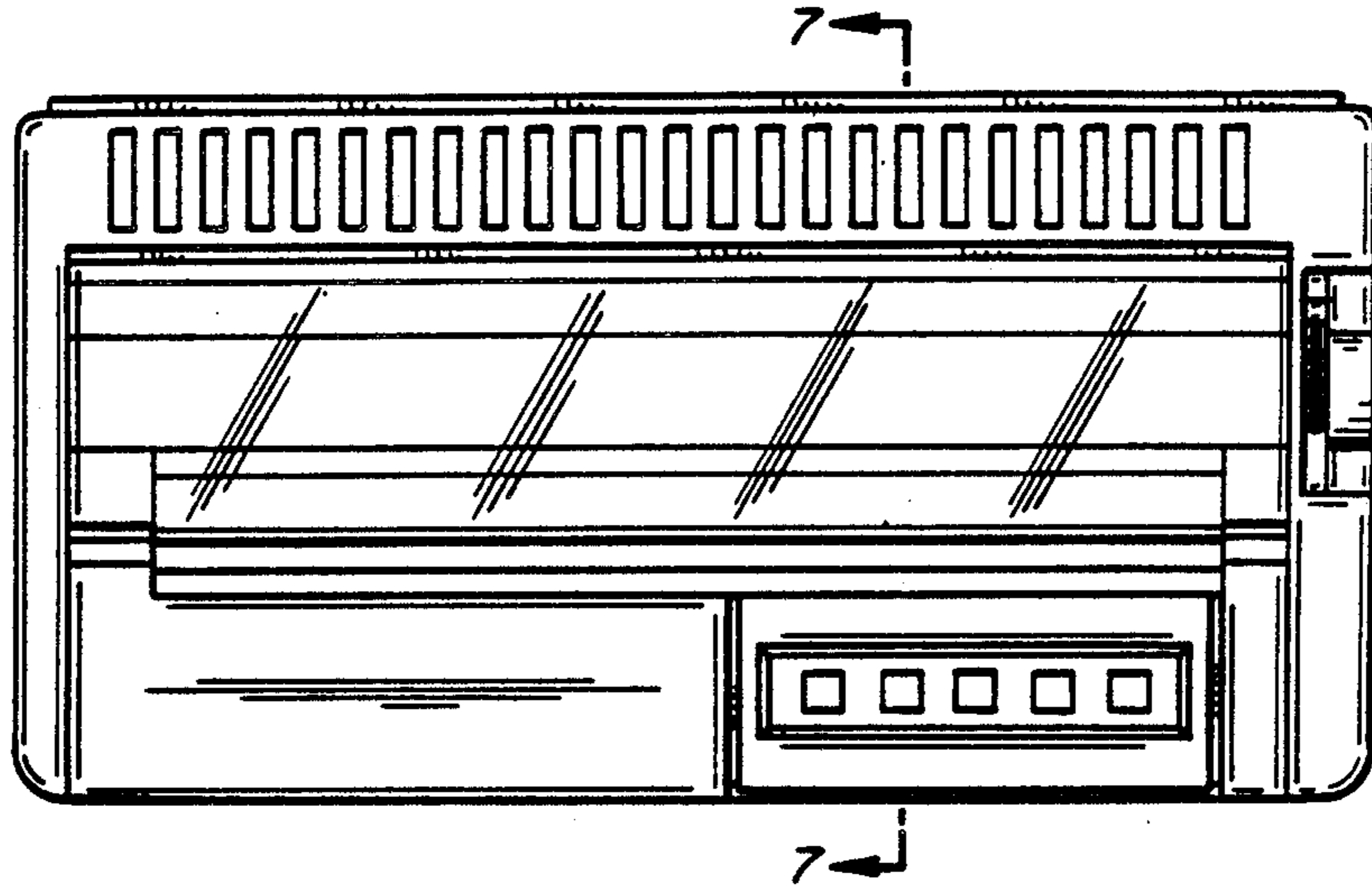
FIG. 7 is a sectional view thereof taken along the line
7-7 of FIG. 1 on an enlarged scale.

[56] References Cited

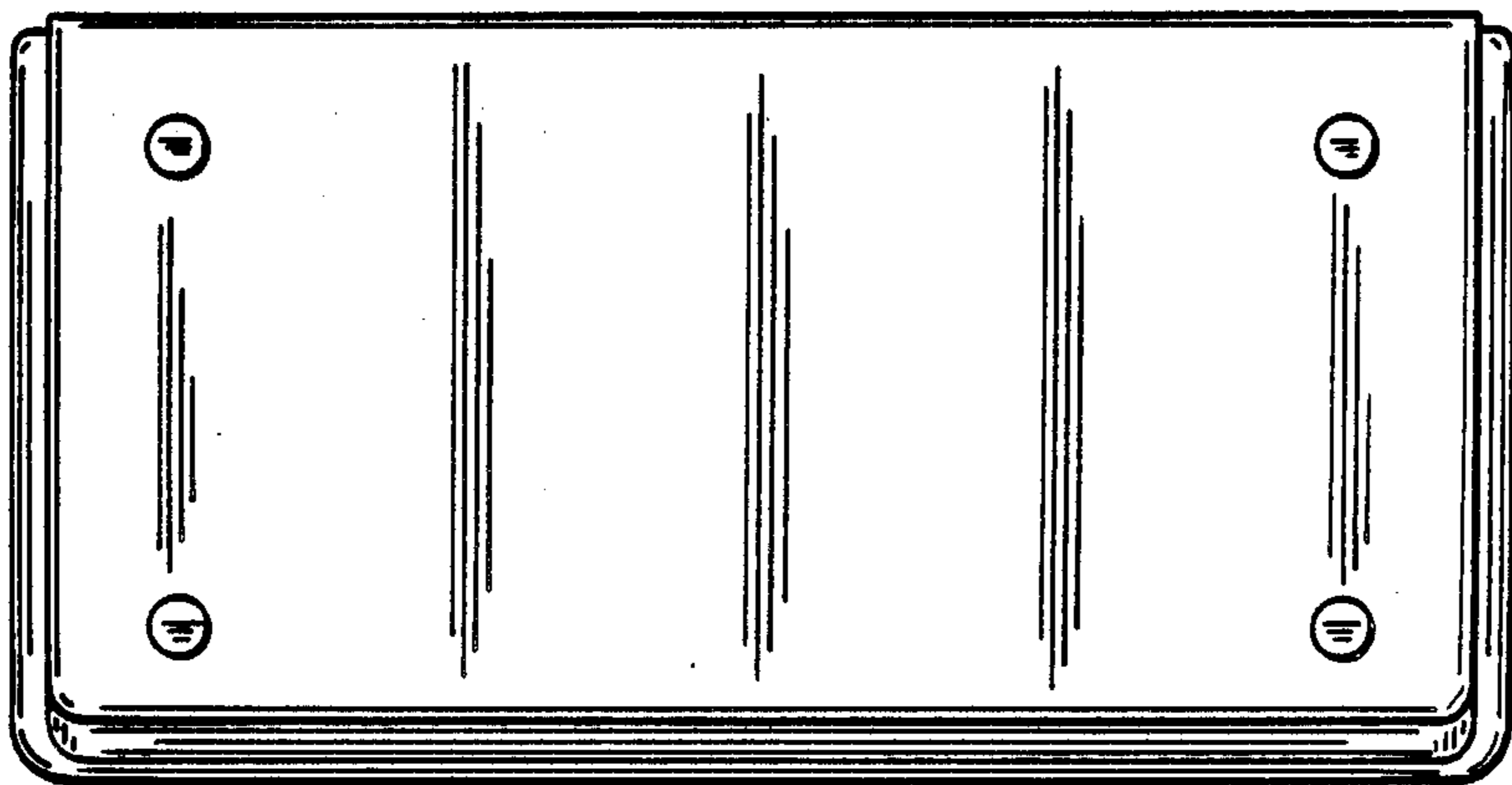
U.S. PATENT DOCUMENTS

D. 284,012 5/1986 Mitsuhashi D18/13

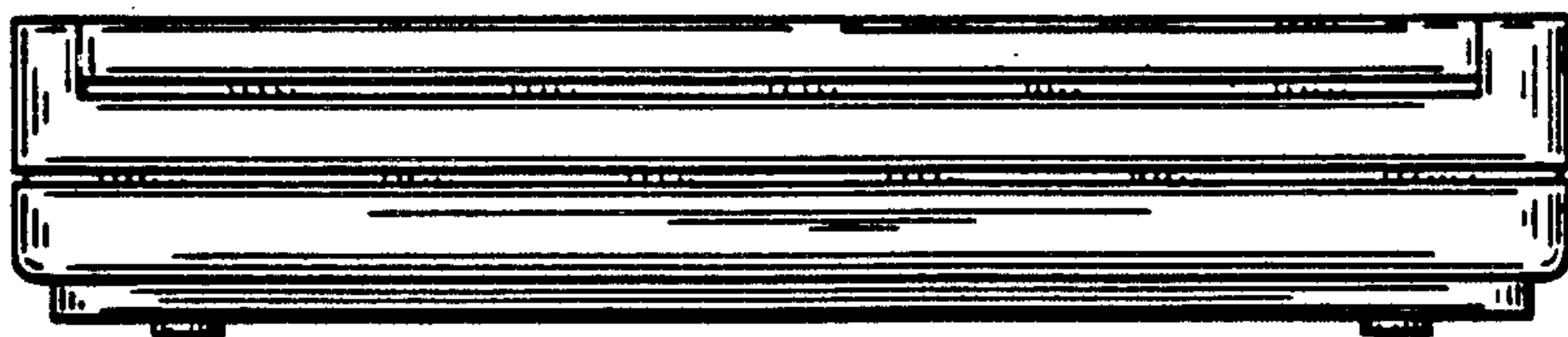




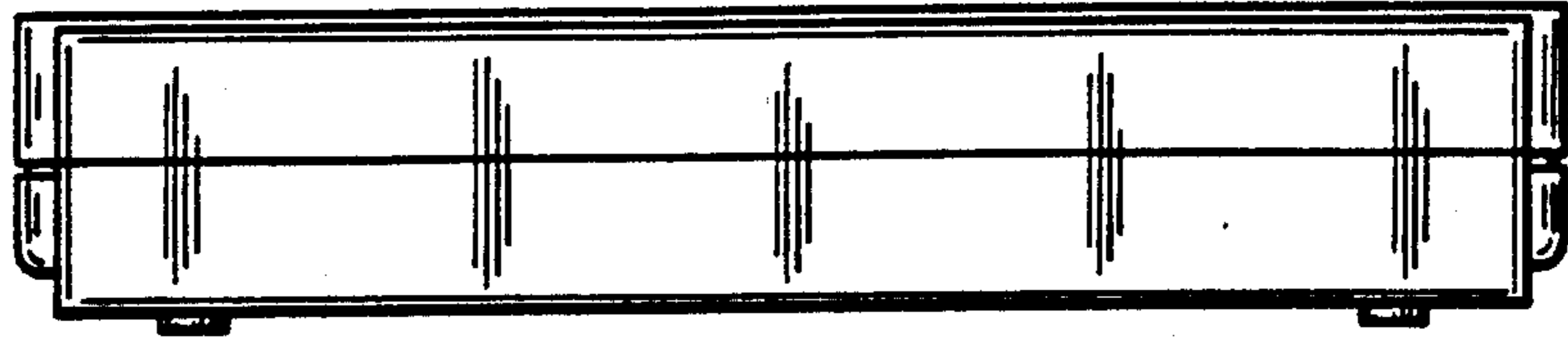
FIG_1



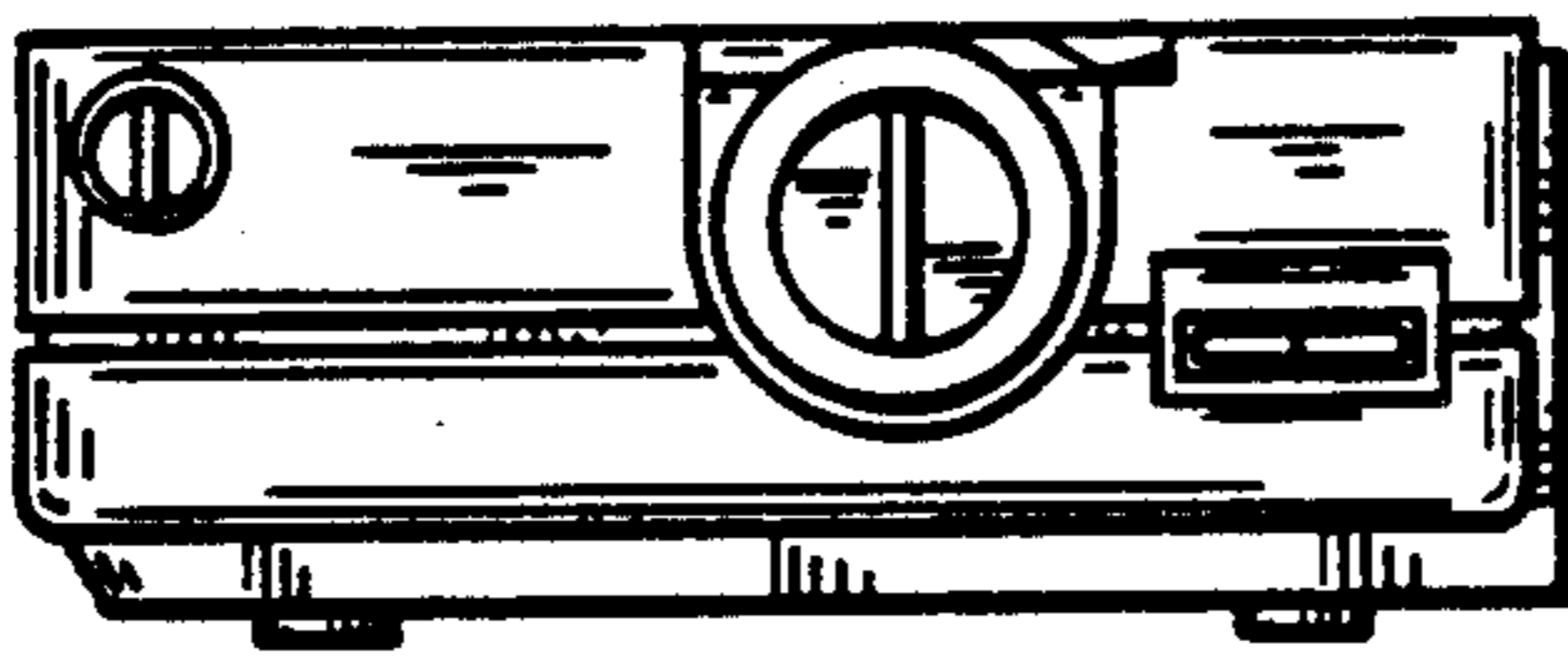
FIG_2



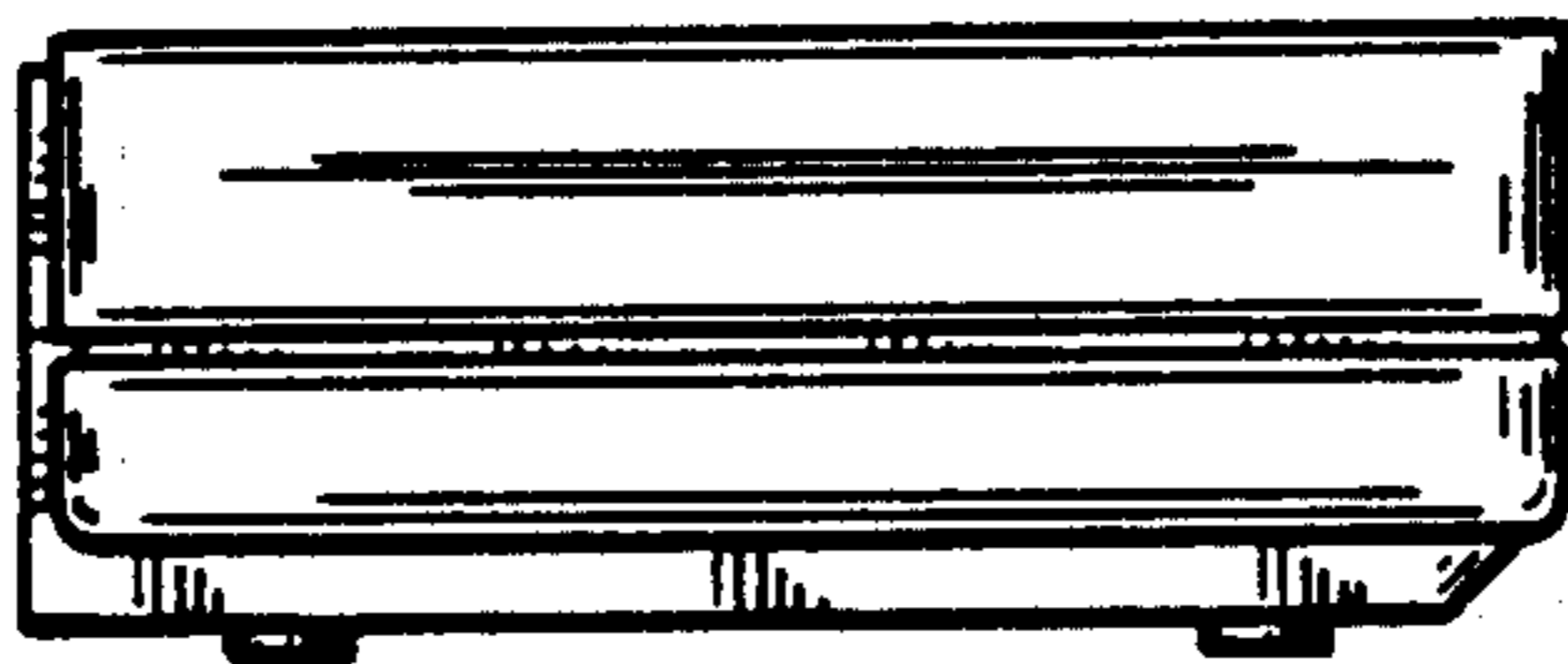
FIG_3



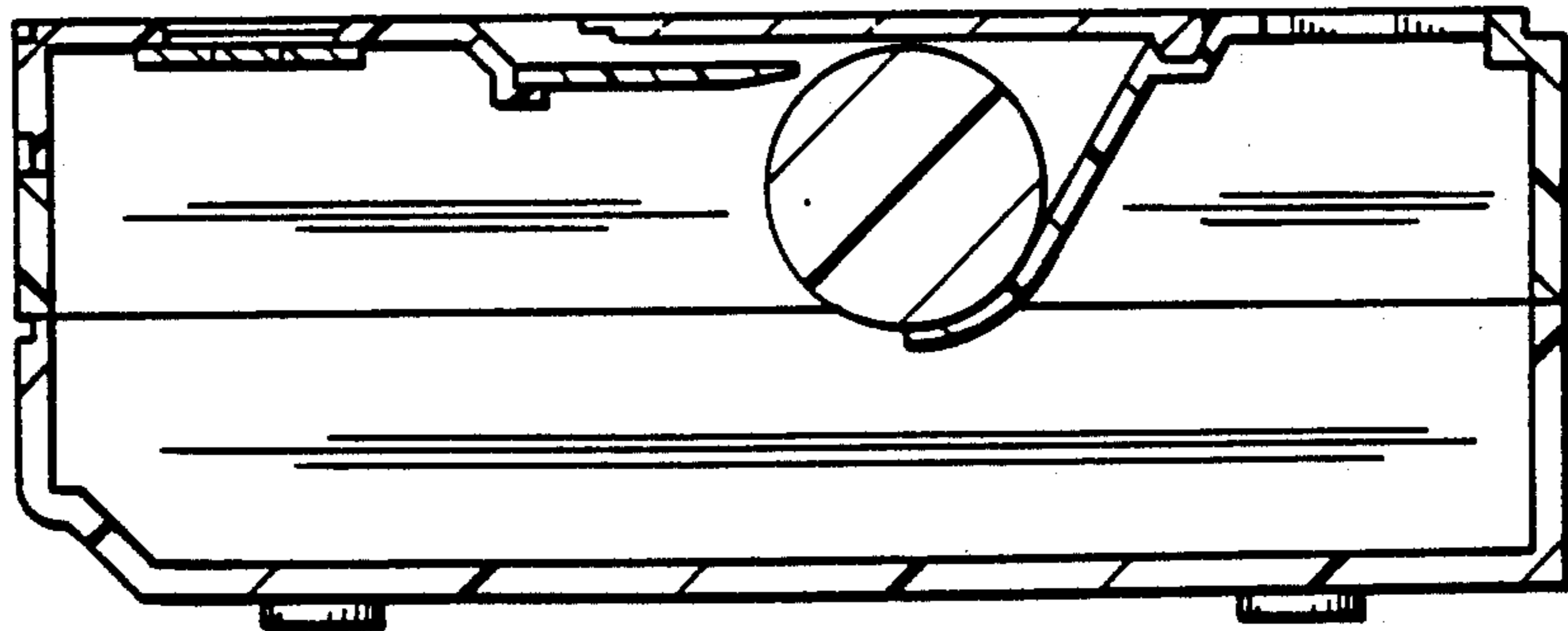
FIG_4



FIG_5



FIG_6



FIG_7