

[54] BINOCULAR

[75] Inventors: Heinrich Janke, Braunfels; Alfred Hengst, Lahnau; Hans-Kurt Uellenberg, Edingen, all of Fed. Rep. of Germany

[\*\*] Term: 14 Years

[21] Appl. No.: 613,254

[22] Filed: May 23, 1984

[30] Foreign Application Priority Data

Apr. 13, 1984 [DE] Fed. Rep. of Germany ... 5 MR 248
[52] U.S. Cl. .... D16/133
[58] Field of Search ..... D16/130-136; 350/545, 552-556

[56] References Cited

U.S. PATENT DOCUMENTS

D. 240,332 6/1976 Altenheiner ..... D16/133
D. 272,362 1/1984 Hengst et al. .... D16/133
3,604,779 9/1971 Reinhold ..... 350/553
4,186,992 2/1980 Kamakura ..... 350/554

FOREIGN PATENT DOCUMENTS

2258825 6/1974 Fed. Rep. of Germany ..... 350/552

OTHER PUBLICATIONS

Bushnell Binoculars Brochure No. 62-1026 2/1983, p. 12, Banner Compact Binocular #10-8261.
Eddie Bauer Summer 1983 Catalog, p. 56, Bunton Roof Prism Binocular on left/found in "Spectacles" pub. boxes.

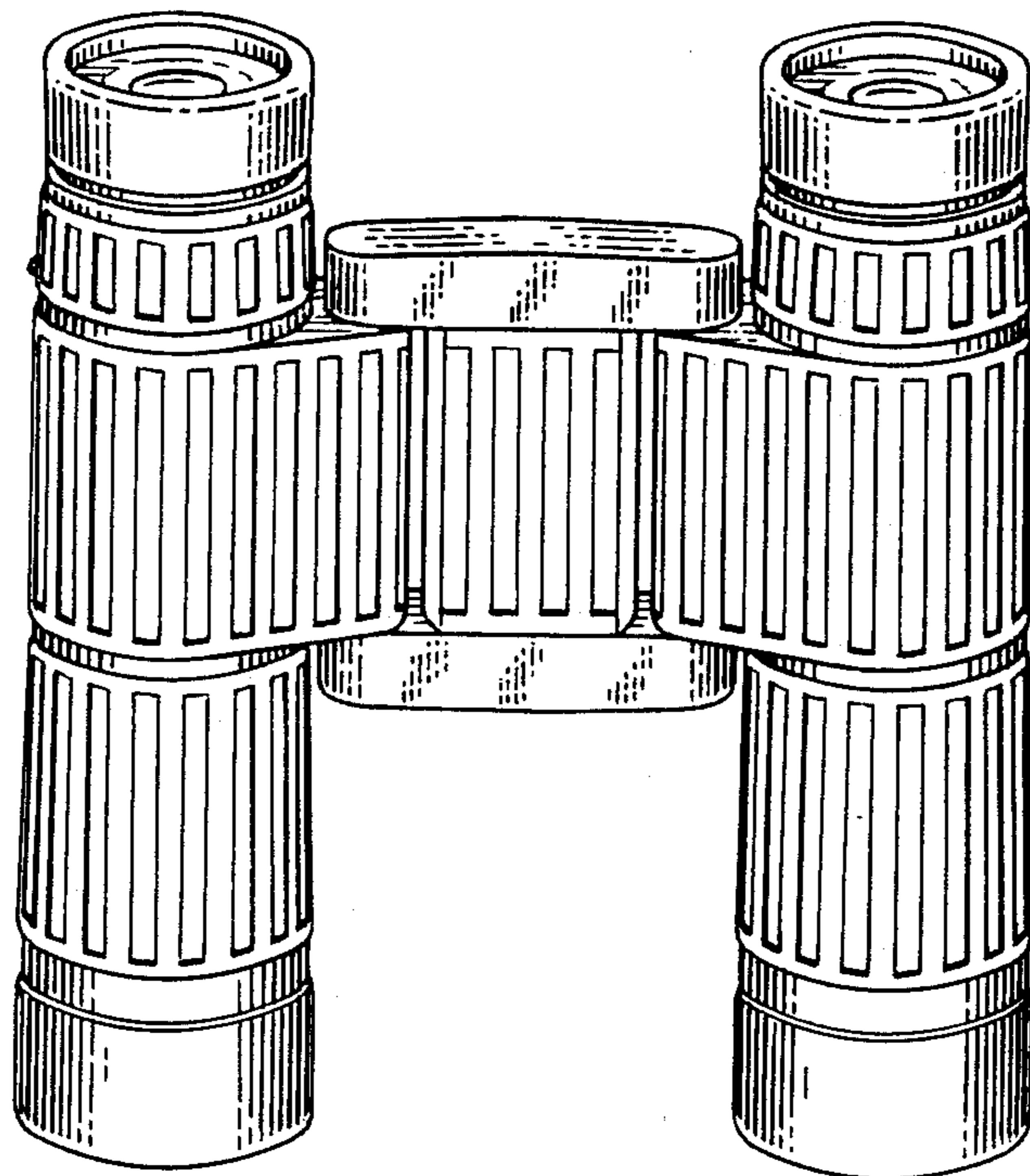
Primary Examiner—Susan J. Lucas
Assistant Examiner—C. E. Heflin
Attorney, Agent, or Firm—Wells & Wells

[57] CLAIM

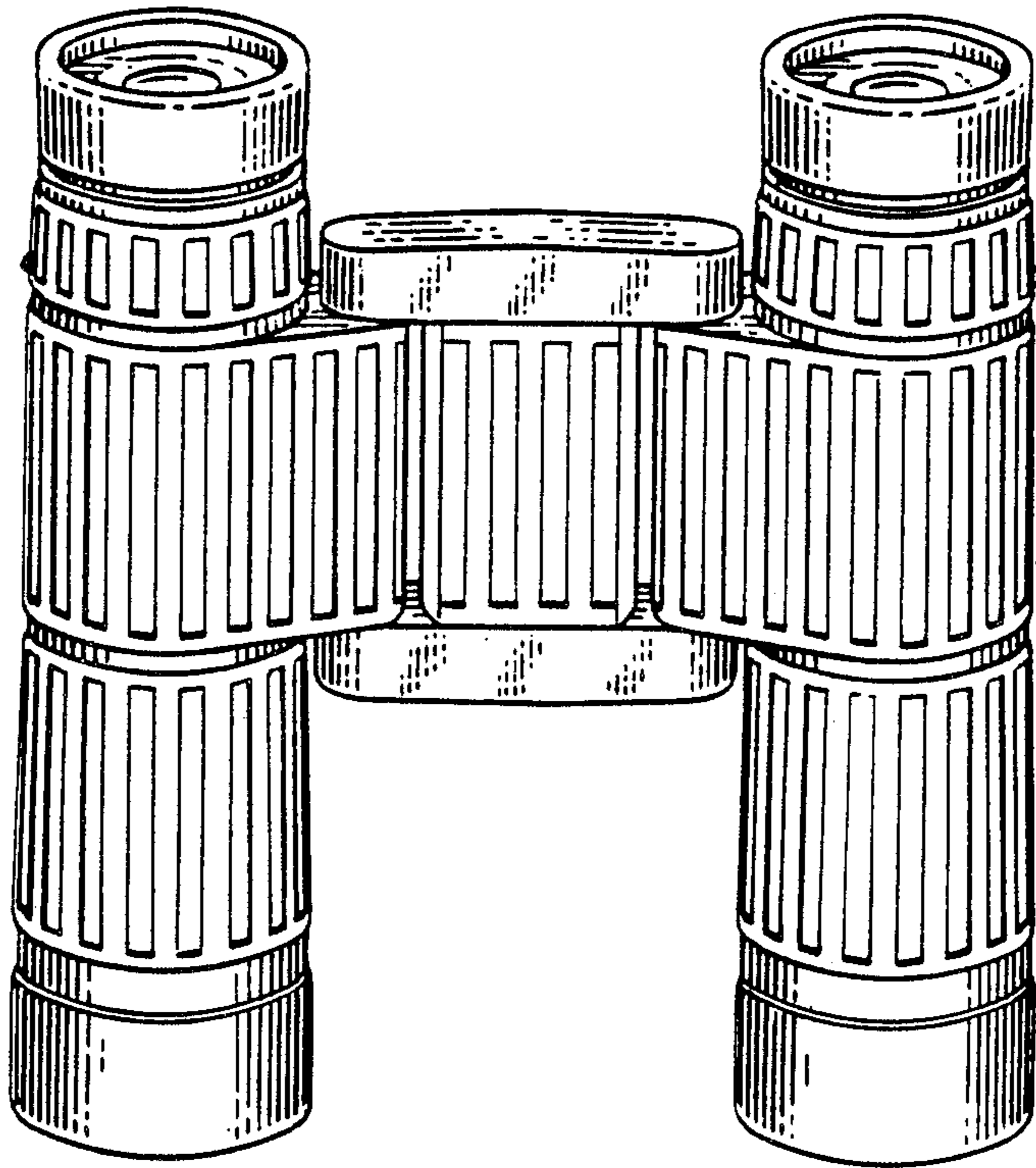
The ornamental design for a binocular, as shown and described.

DESCRIPTION

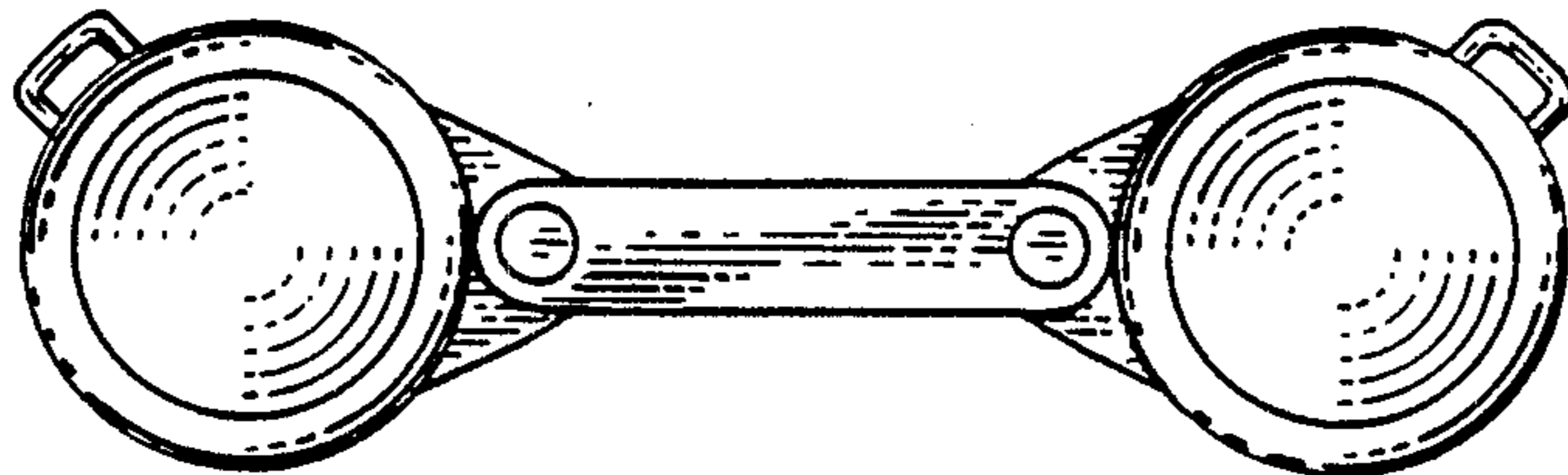
FIG. 1 is a bottom perspective view of a binocular showing our new design, with both ocular cylinders shown retracted;
FIG. 2 is a front elevational view thereof;
FIG. 3 is a top plan view thereof, with both ocular cylinders shown extended;
FIG. 4 is a top plan view thereof, with the binocular shown in the closed position;
FIG. 5 is a rear elevational view thereof;
FIG. 6 is a left side elevational view thereof, with the ocular cylinder shown extended.

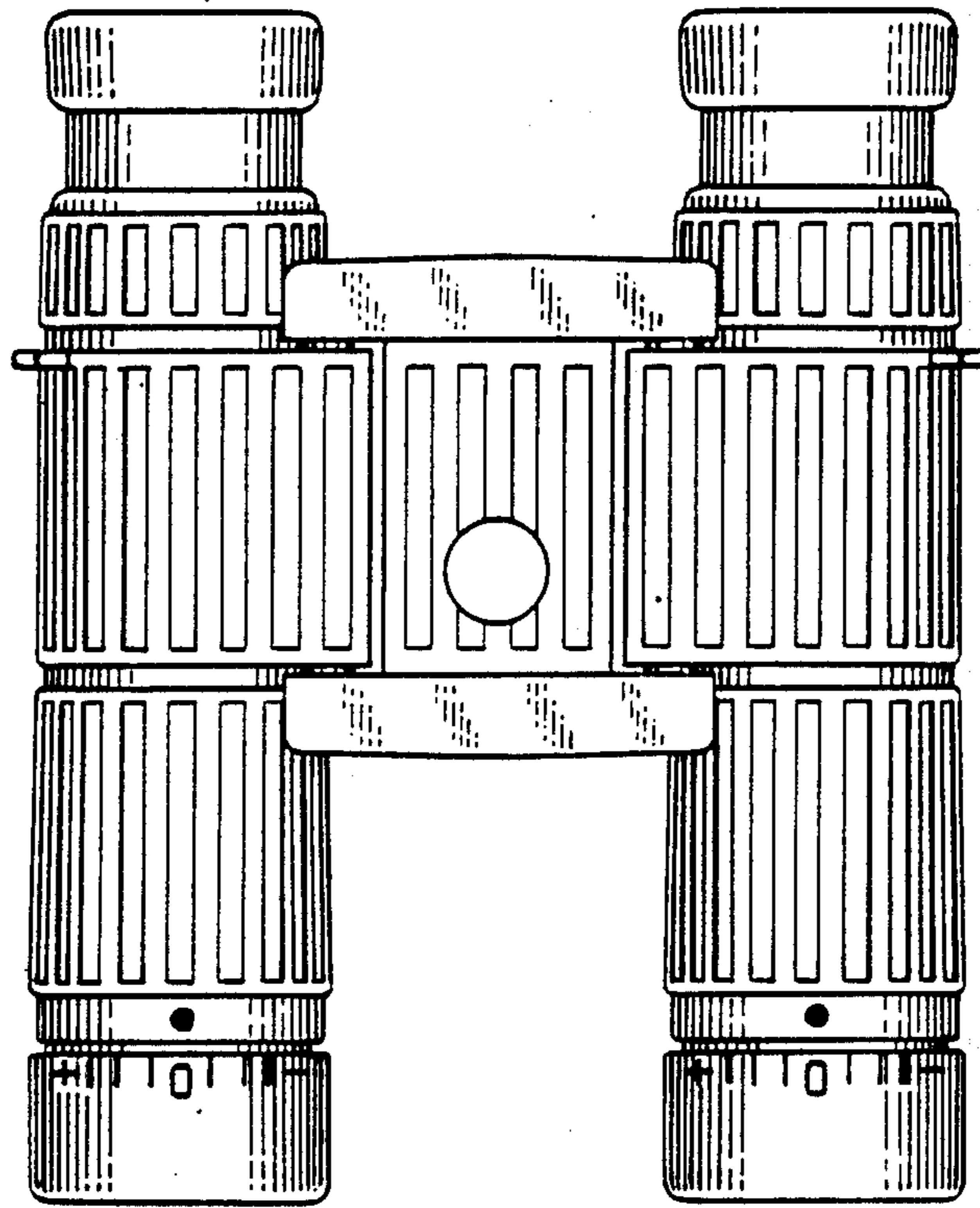


*Fig. 1*

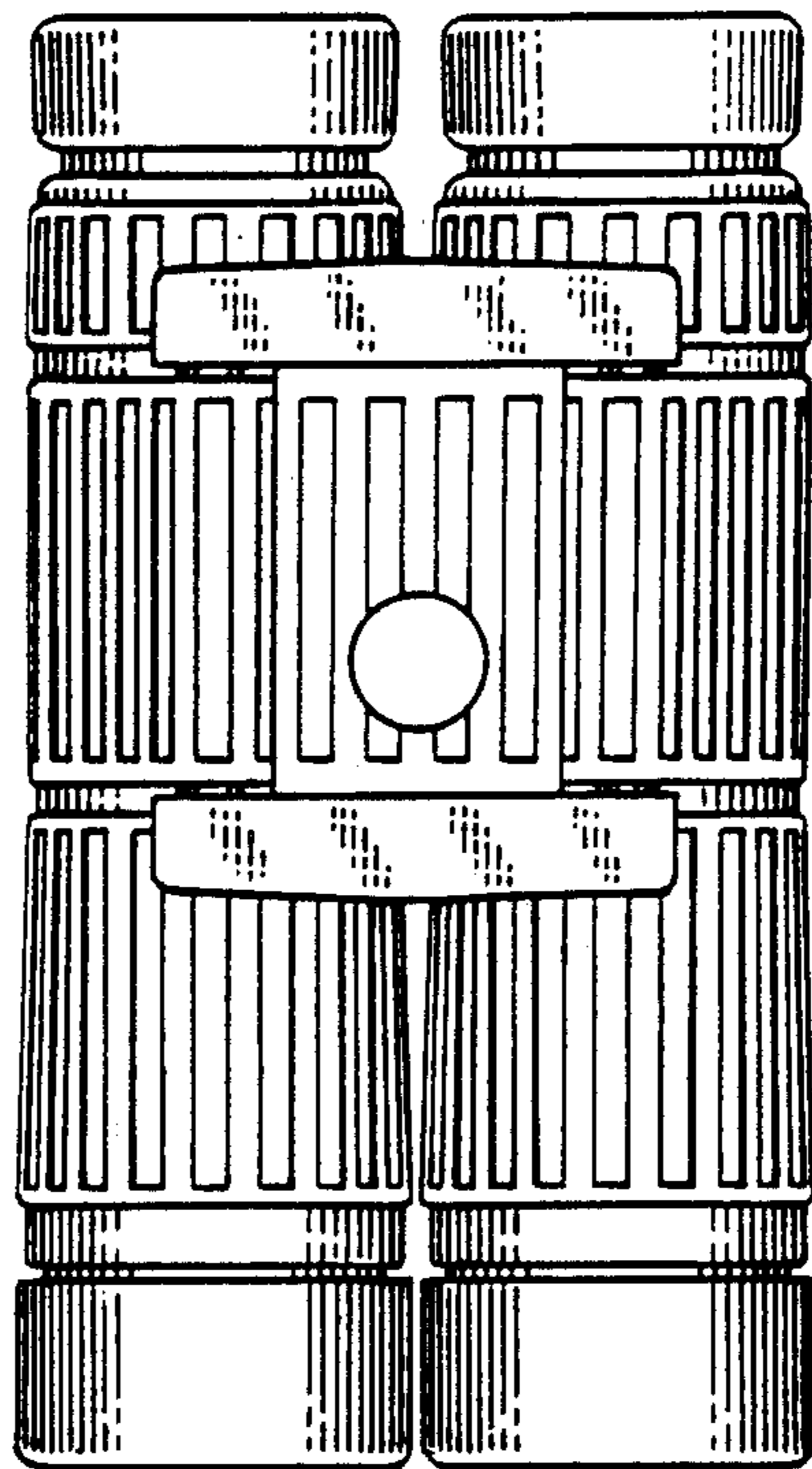


*Fig. 2*



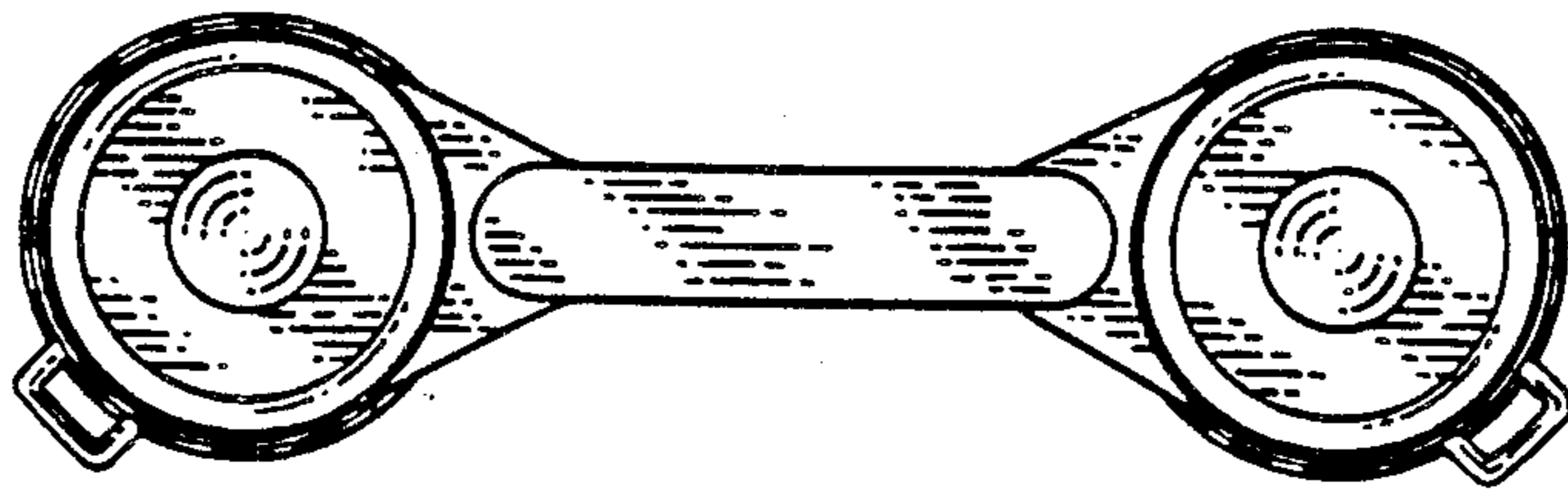


*Fig. 3*



*Fig. 4*

*Fig. 5*



*Fig. 6*

