

[54] COMBINED GUARD AND DUST COLLECTOR FOR A TABLE SAW

[75] Inventors: John G. Legler, Huber Heights; Robert L. Bartlett; Harold E. Folkerth, both of Dayton, all of Ohio

[73] Assignee: Shopsmith, Inc., Dayton, Ohio

[**] Term: 14 Years

[21] Appl. No.: 690,276

[22] Filed: Jan. 10, 1985

[52] U.S. Cl. D15/133

[58] Field of Search D15/133, 138; 144/252 R; 83/100, 168, 478, 440.2

4,150,598 4/1979 Berends 83/478
 4,255,995 3/1981 Connor 83/100

OTHER PUBLICATIONS

Shopsmith Mark V Sales brochure (Mar. 1979).
 Shopsmith Mark V Accessory Catalog, pp. 8 and 9, 1983.

Primary Examiner—B. J. Bullock
 Attorney, Agent, or Firm—Biebel, French & Nauman

[57] CLAIM

The ornamental design for a combined guard and dust collector for a table saw, as shown and described.

DESCRIPTION

FIG. 1 is a rear perspective view of a combined guard and dust collector for a table saw showing our new design;
 FIG. 2 is an enlarged bottom plan view thereof;
 FIG. 3 is an enlarged front elevational view thereof;
 FIG. 4 is an enlarged rear elevational view thereof;
 FIG. 5 is an enlarged left side elevational view thereof;
 FIG. 6 is an enlarged right side elevational view thereof;
 FIG. 7 is an enlarged top plan view thereof.

[56] References Cited
 U.S. PATENT DOCUMENTS

D. 275,015	8/1984	von der Wouw	D15/133
1,888,676	11/1932	Knapp	83/440.2
2,562,396	7/1951	Schutz	83/478
2,823,711	2/1958	Kaley	83/440.2
2,926,709	3/1960	Kaley	83/478
3,034,493	5/1962	Bandy	83/440.2
3,884,101	5/1975	Silkin	83/478
4,063,473	12/1977	Stuy	83/100

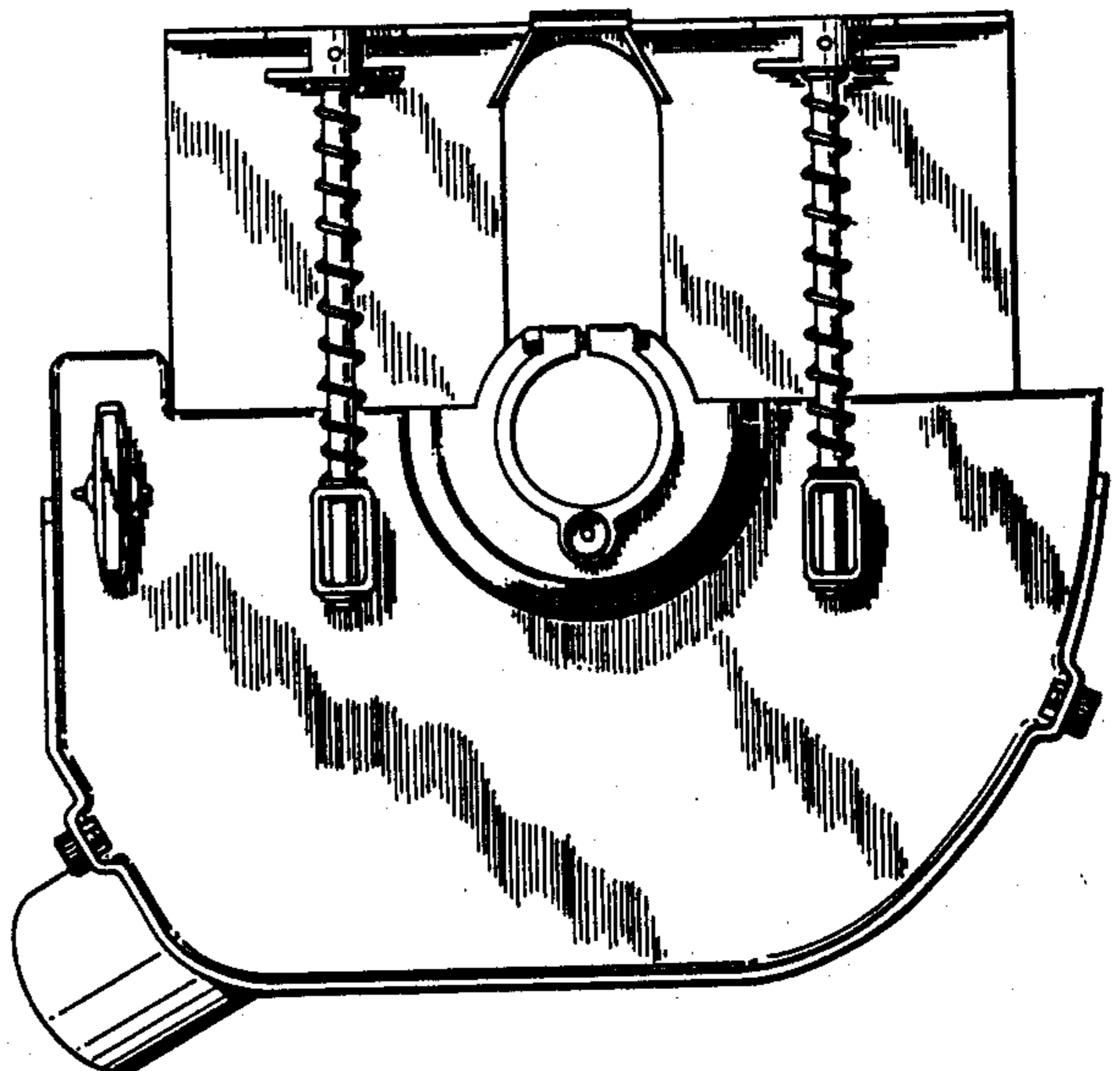
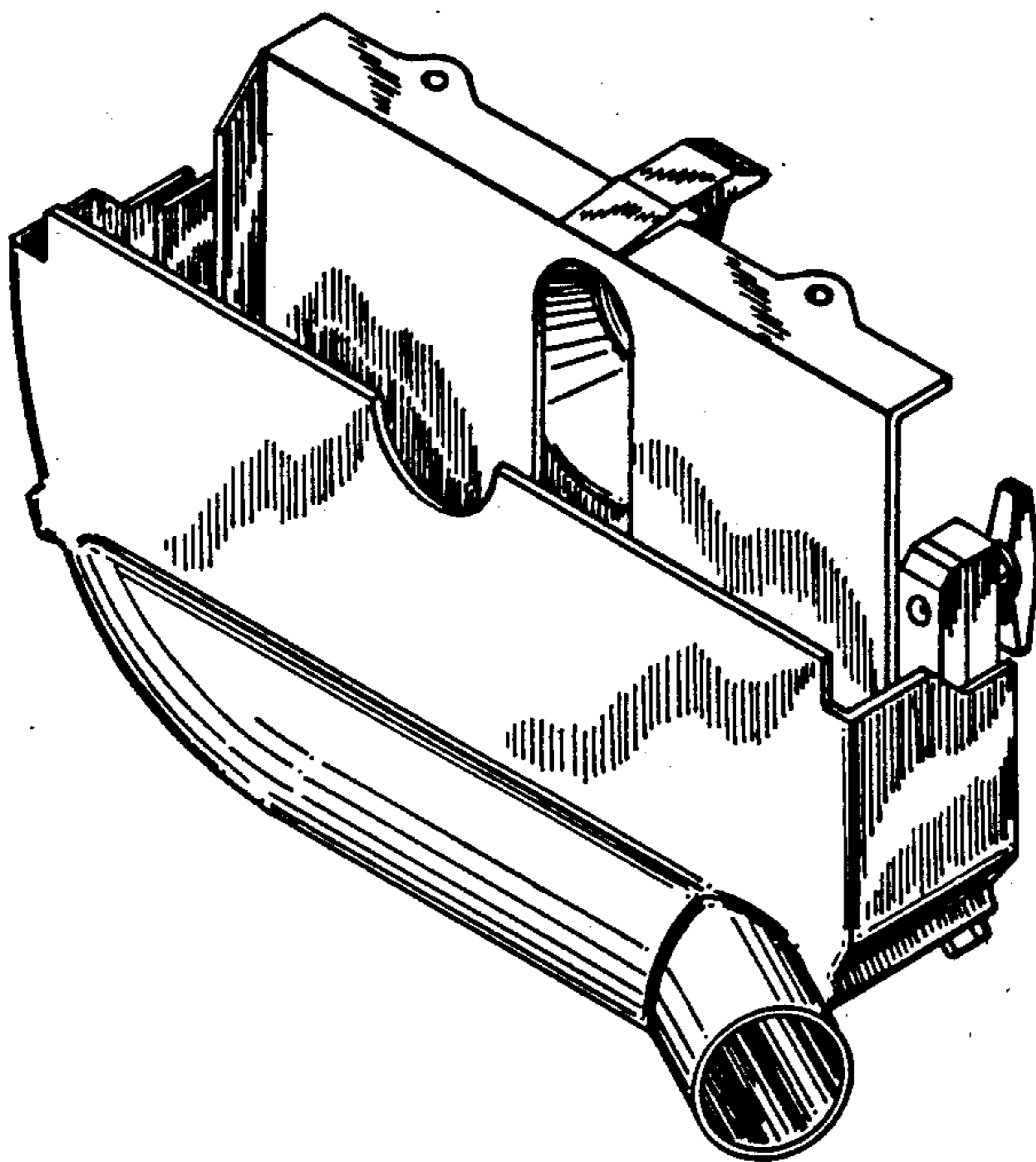


FIG-1

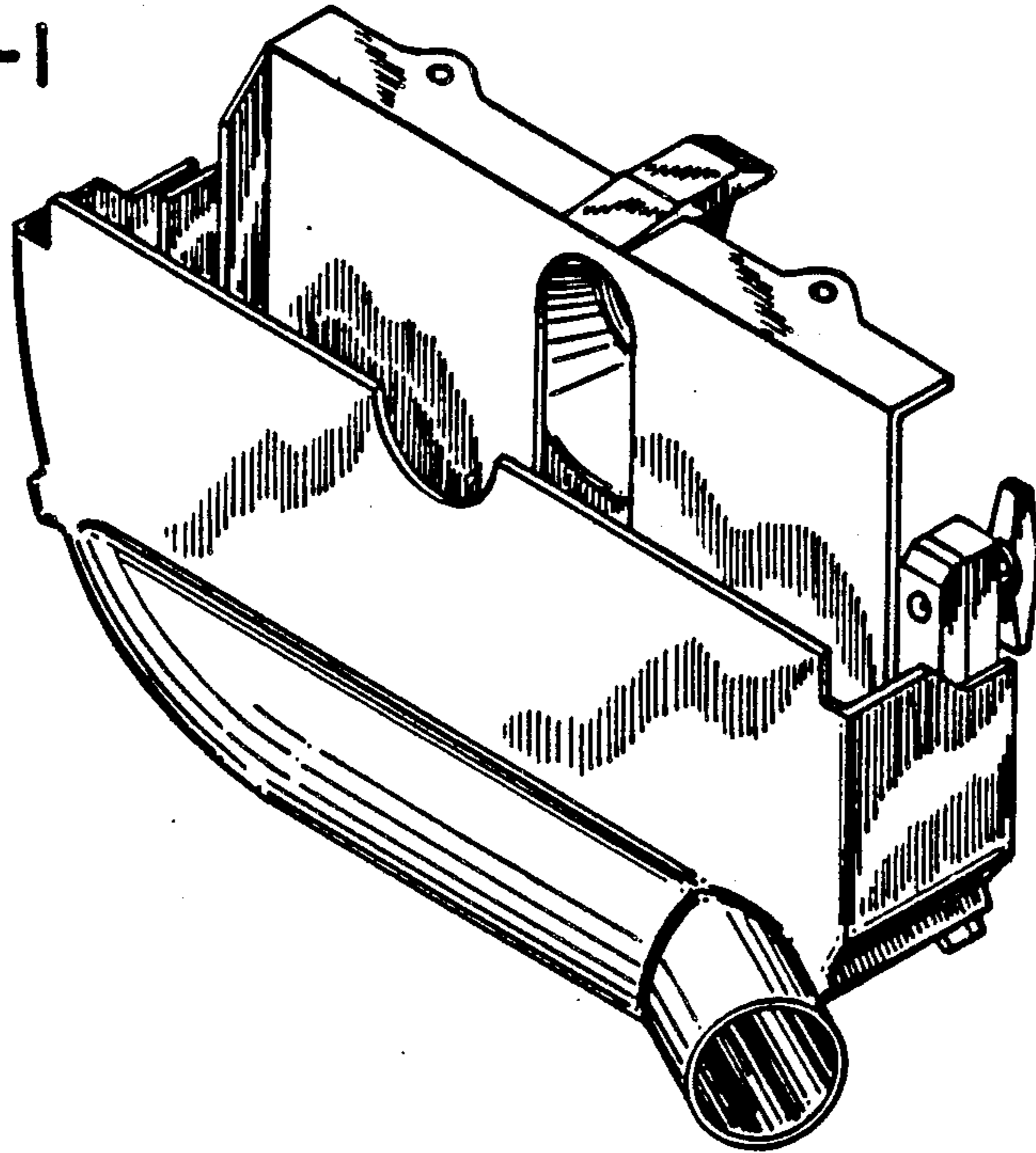


FIG-2

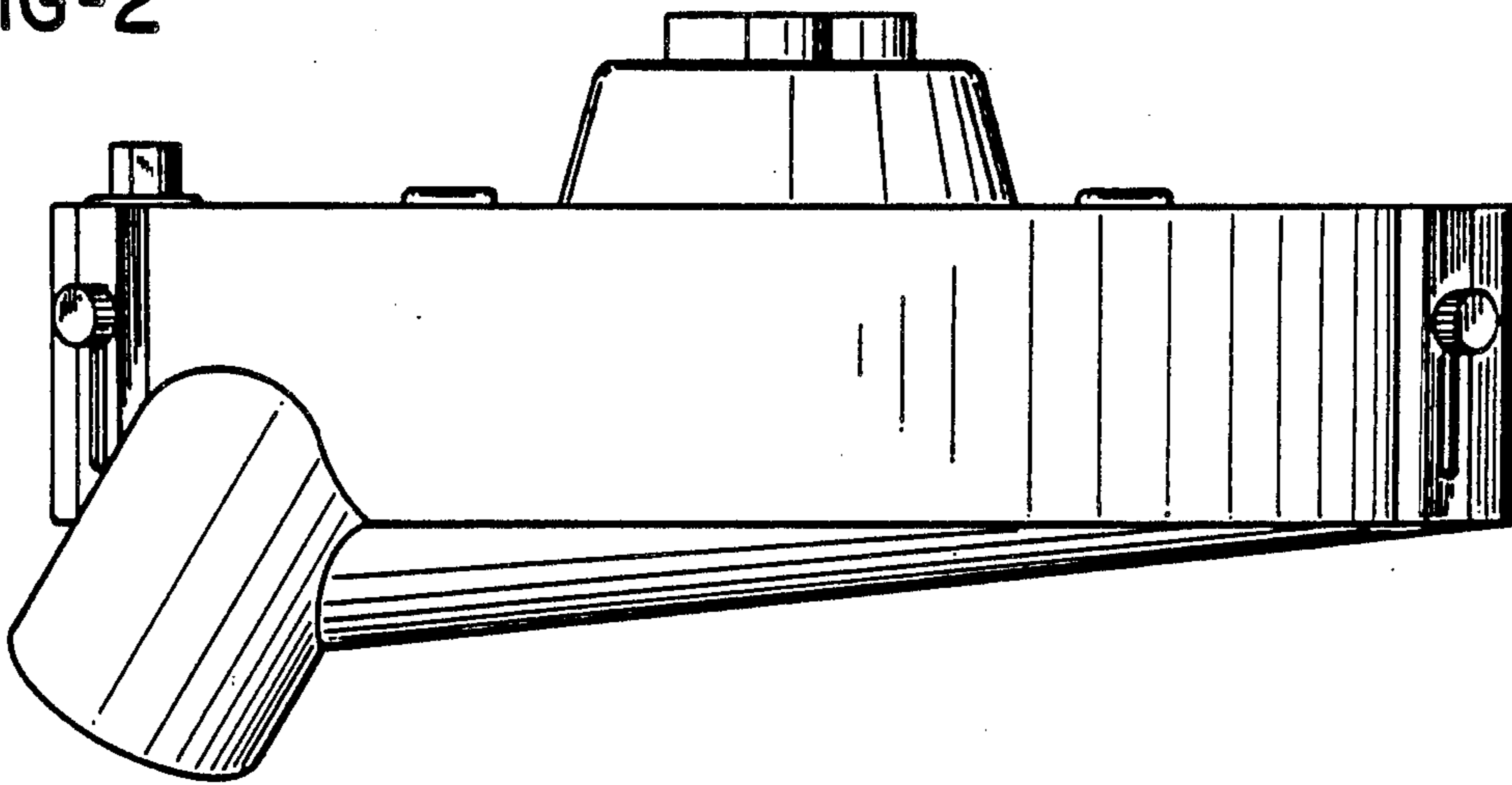


FIG-3

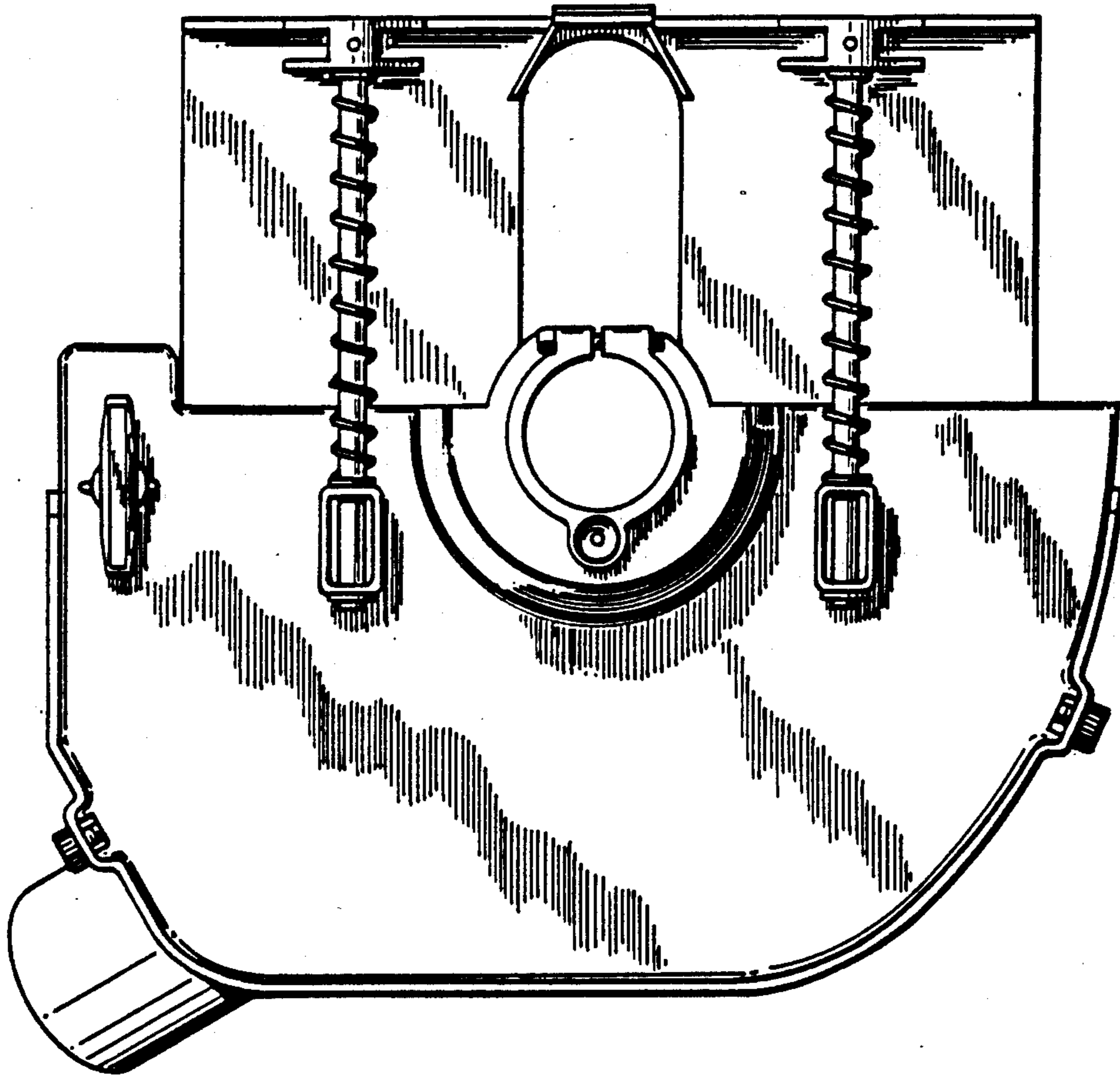


FIG-4

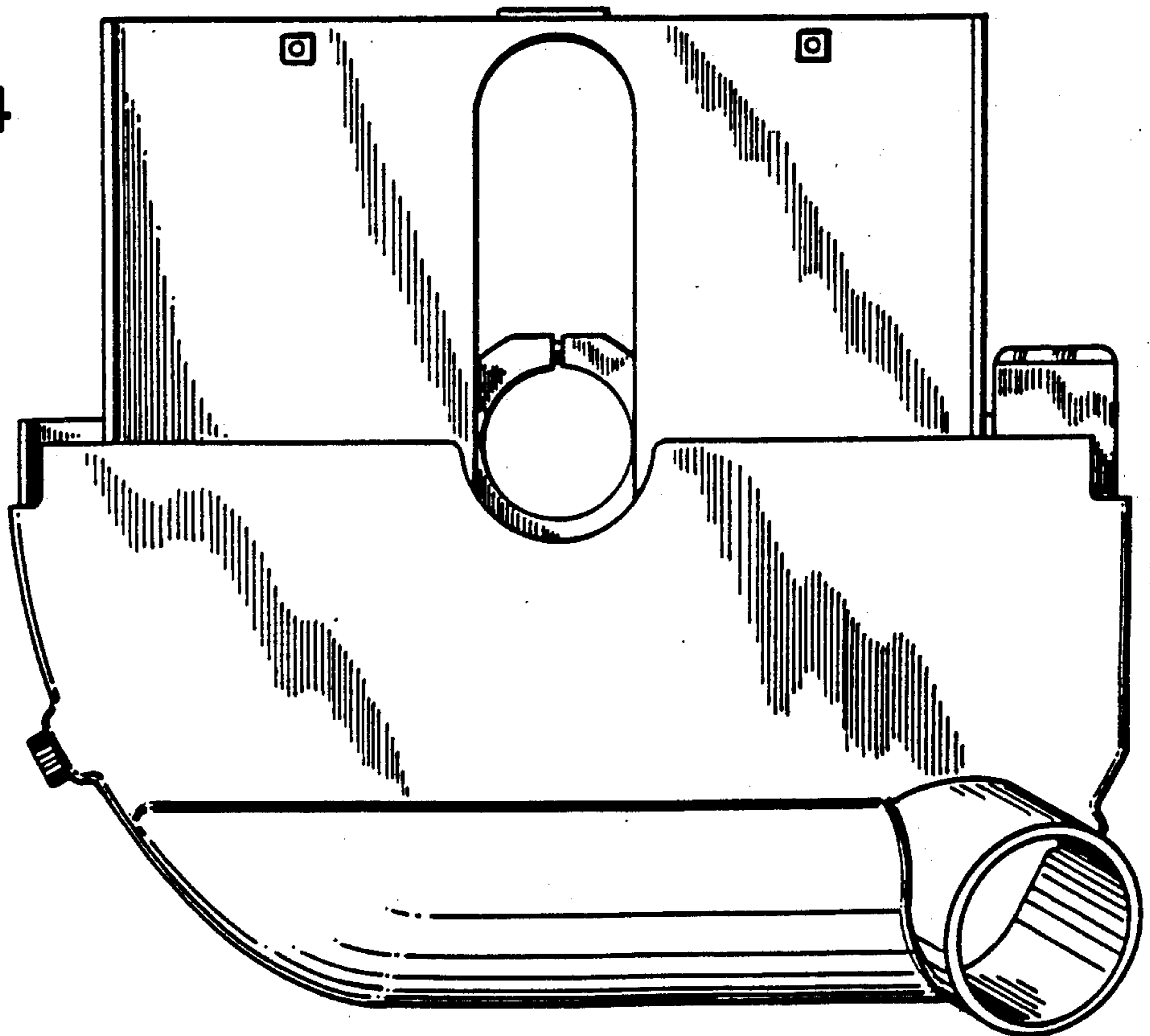


FIG-5

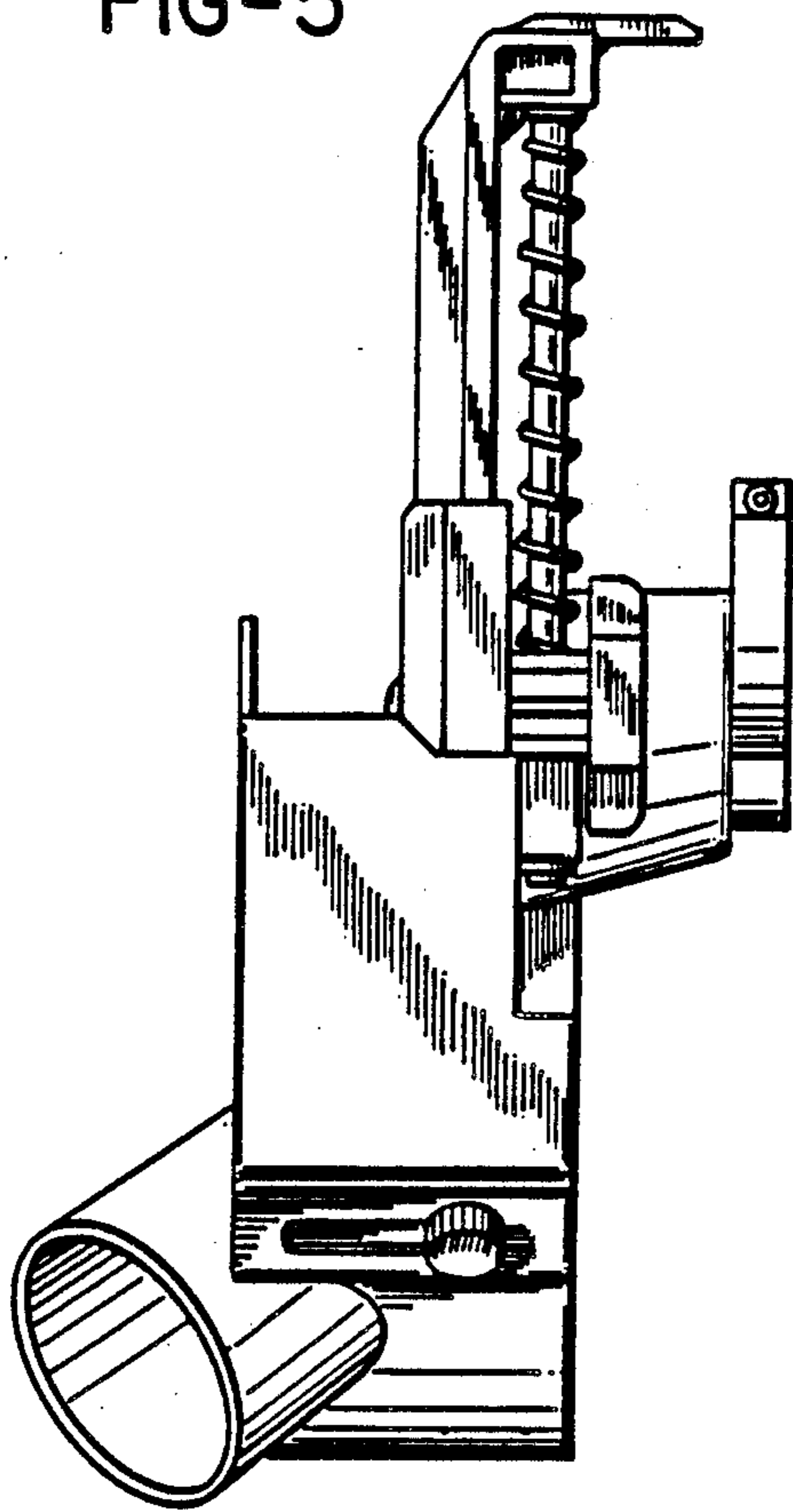


FIG-6

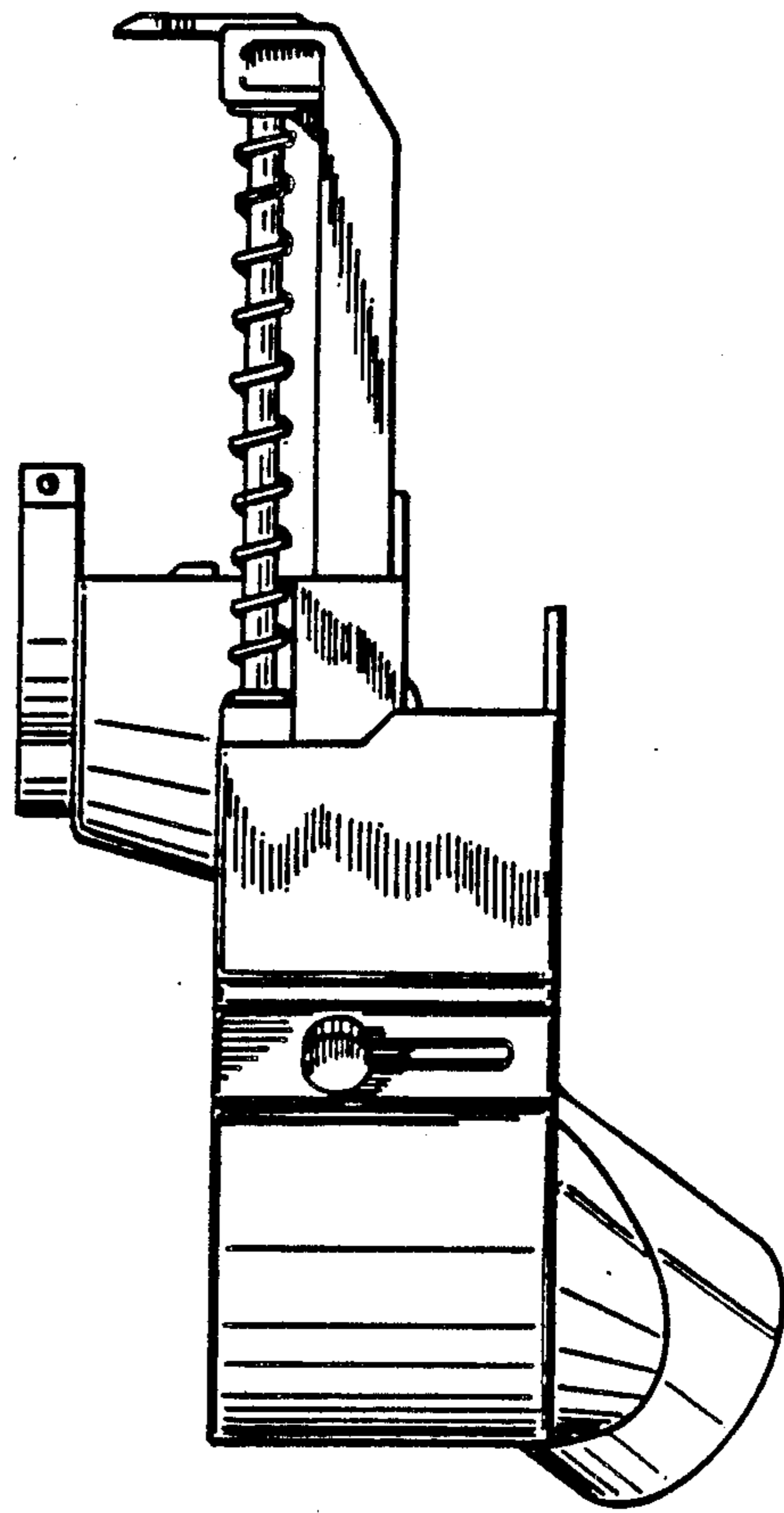


FIG-7

