

[54] COMBINED PRINTER AND MEMORY CAPACITY EXPANDER FOR A COMPUTER

[75] Inventors: Natsu Kitani, Hyogo; Benito Mishiro, Osaka; Yoshihiko Sugiyama, Nara, all of Japan

[73] Assignee: Matsushita Electric Industrial Co., Ltd., Osaka, Japan

[\*\*] Term: 14 Years

[21] Appl. No.: 752,876

[22] Filed: Jul. 8, 1985

[52] U.S. Cl. .... D14/111; D14/107

[58] Field of Search ..... D14/100, 107, 111, 114; D18/13, 22; 400/689-694

[56] References Cited

U.S. PATENT DOCUMENTS

- D. 276,342 11/1984 Kitai ..... D14/111
- D. 286,640 11/1986 Miyazaki ..... D14/111

OTHER PUBLICATIONS

Brother Personal Electronic Printer EP-20 brochure.

Primary Examiner—Susan J. Lucas  
Attorney, Agent, or Firm—Sughrue, Mion, Zinn, Macpeak & Seas

[57] CLAIM

The ornamental design for a combined printer and memory capacity expander for a computer, as shown.

DESCRIPTION

FIG. 1 is a front, top and right side perspective view of a combined printer and memory capacity expander for a computer showing our new design; FIG. 2 is a front elevational view thereof; FIG. 3 is a right side elevational view thereof; FIG. 4 is a top plan view thereof; FIG. 5 is a left side elevational view thereof; FIG. 6 is a rear elevational view thereof; and FIG. 7 is a bottom plan view thereof.

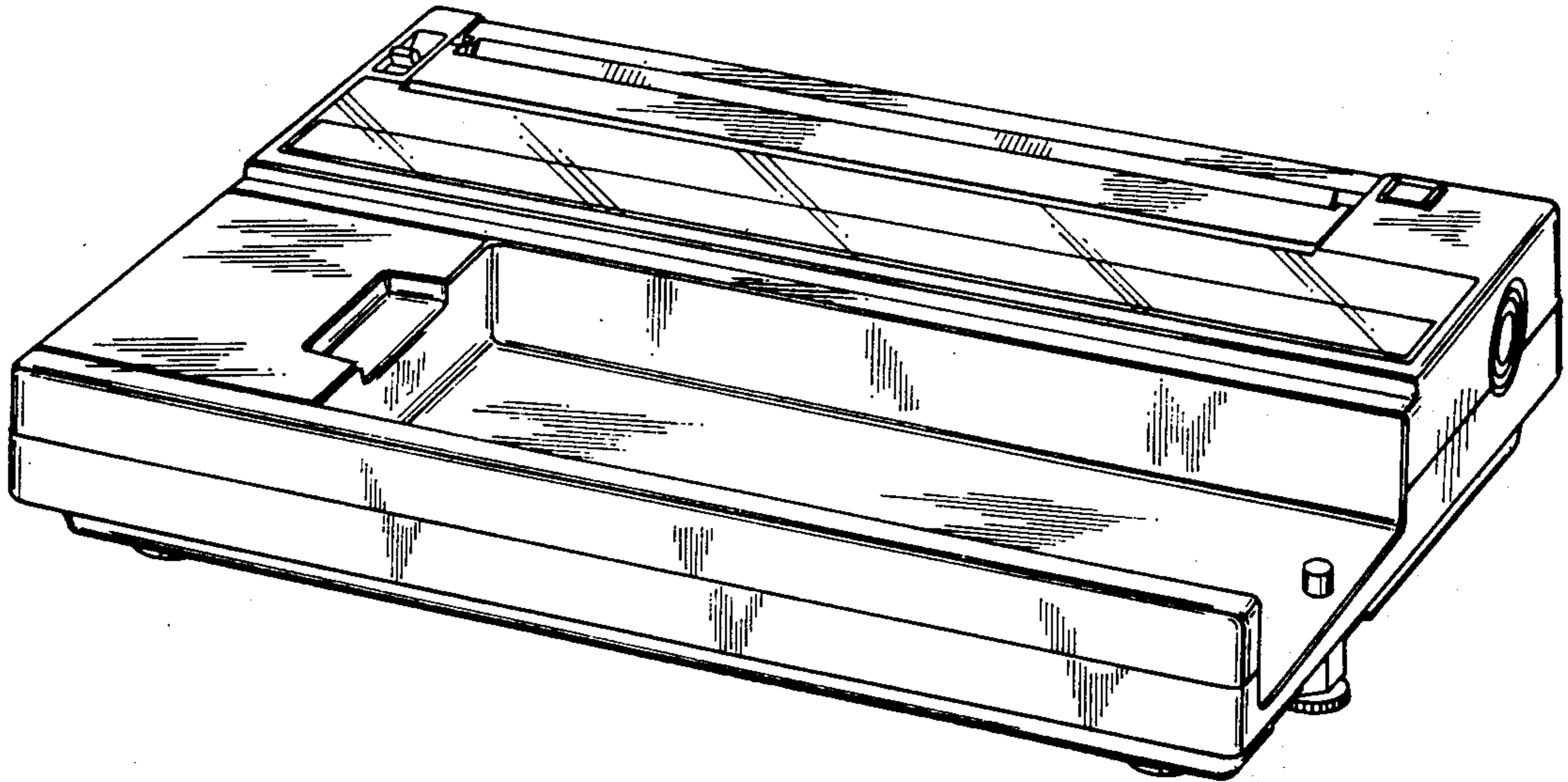


FIG. 1

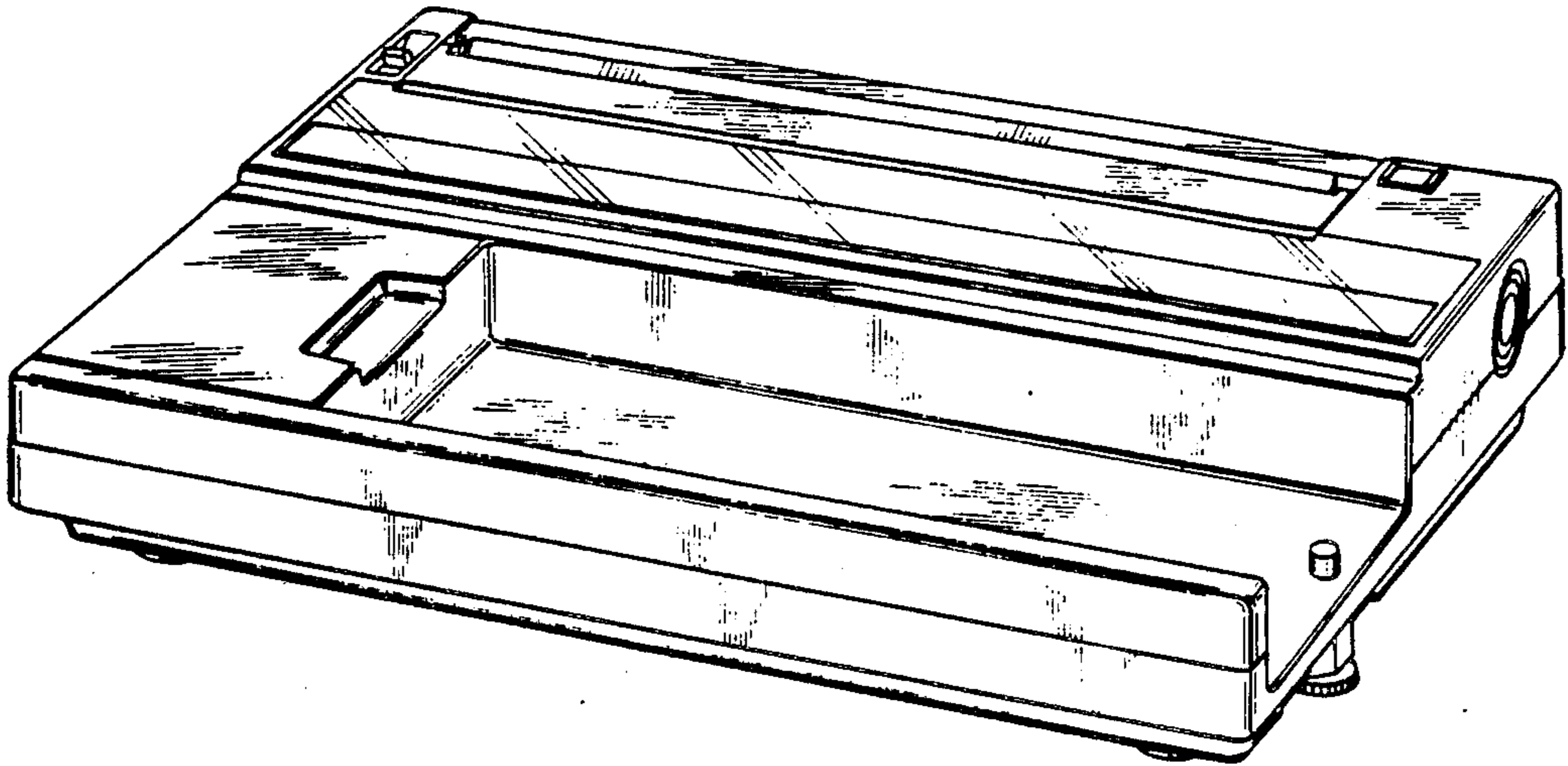


FIG. 2

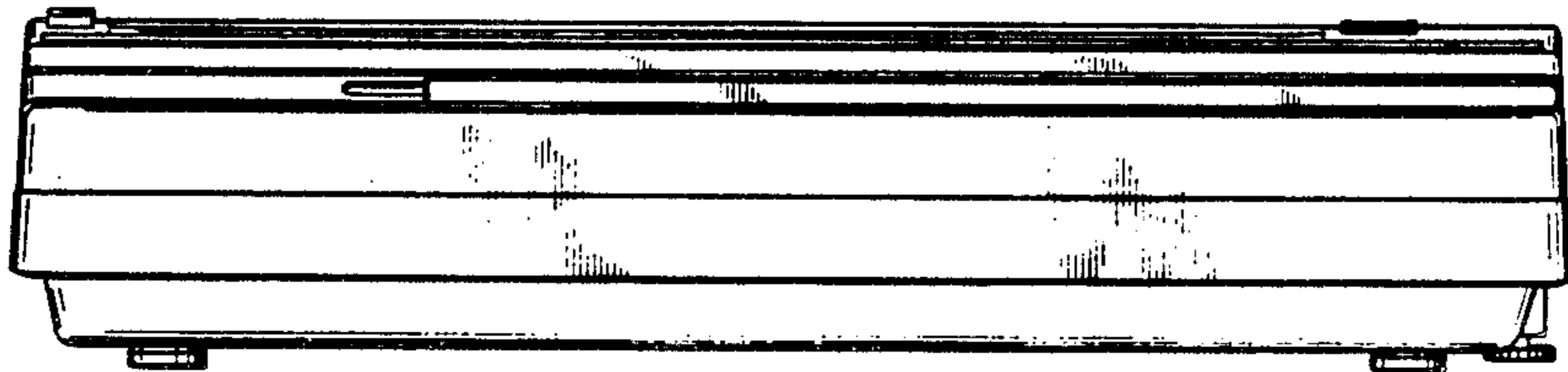


FIG. 3

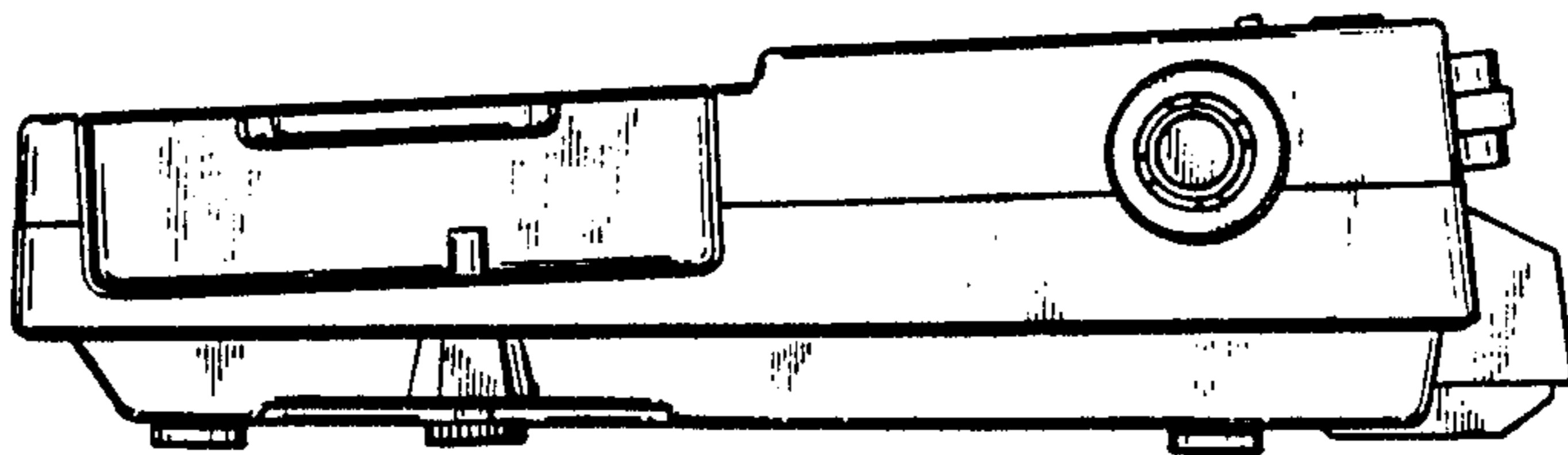


FIG. 4

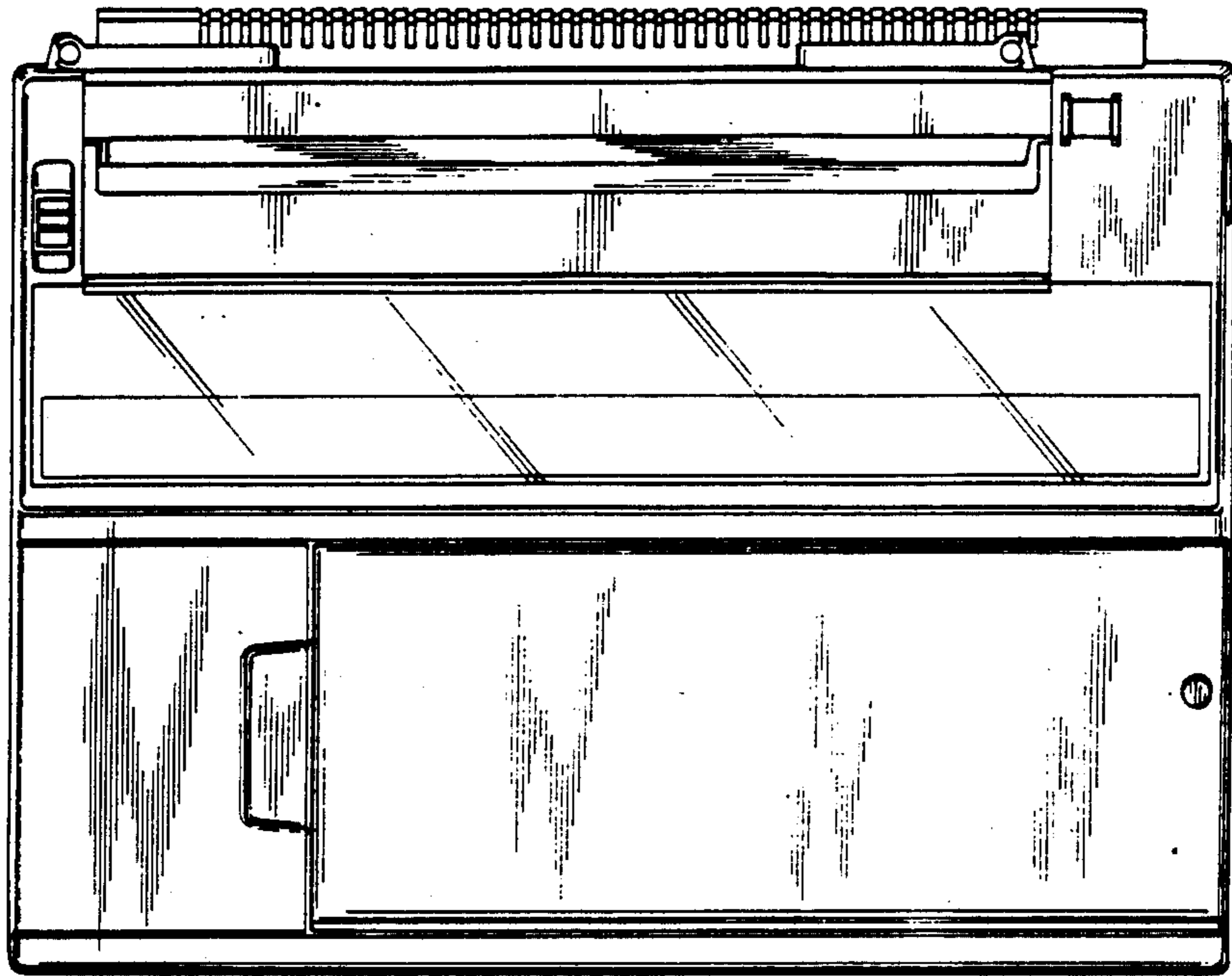


FIG. 5

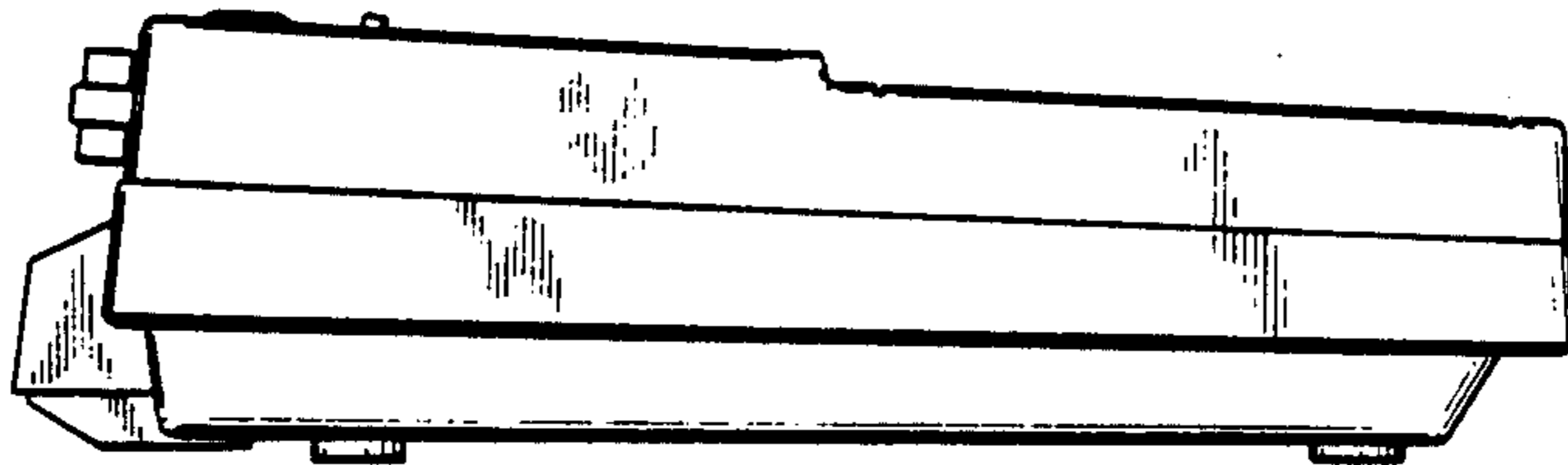


FIG. 6

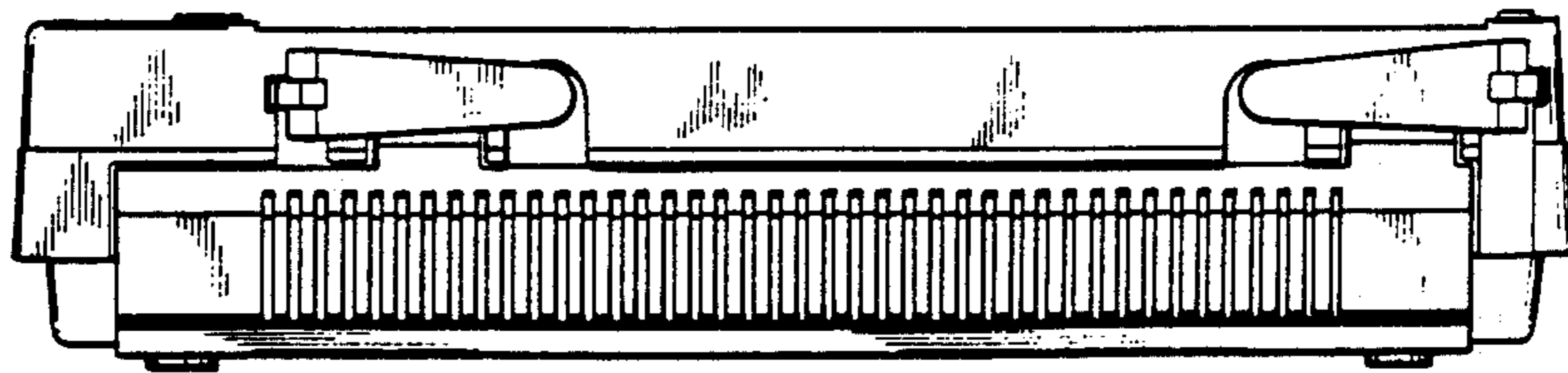


FIG. 7

