

[54] HAND HELD DIGITAL COMMUNICATOR HOUSING

[75] Inventors: David W. Lee, Farmington, Minn.; Logan W. Johnson, Green Valley, Ariz.

[73] Assignee: Rosemount Inc., Eden Prairie, Minn.

[\*\*] Term: 14 Years

[21] Appl. No.: 781,360

[22] Filed: Sep. 27, 1985

[52] U.S. Cl. .... D14/68; D14/95; D14/100

[58] Field of Search ..... D14/1, 5, 7, 36, 68-76, D14/95, 99, 100; 455/73, 89, 90, 344, 347, 350, 351; D18/6, 7, 11

[56] References Cited

U.S. PATENT DOCUMENTS

D. 257,560 11/1980 Jang ..... D14/100

D. 259,722 6/1981 Fuller et al. .... D14/100 X  
D. 267,950 2/1983 Ault ..... D18/7 X  
D. 283,711 5/1986 Deura et al. .... D14/100  
3,976,995 8/1976 Sebestyen ..... 455/351 X

Primary Examiner—Bernard Ansher  
Assistant Examiner—Theodore M. Shooman  
Attorney, Agent, or Firm—Kinney & Lange

[57] CLAIM

The ornamental design for a hand held digital communicator housing, as shown and described.

DESCRIPTION

FIG. 1 is a top, front and left side perspective view of a hand held digital communicator housing showing our new design;

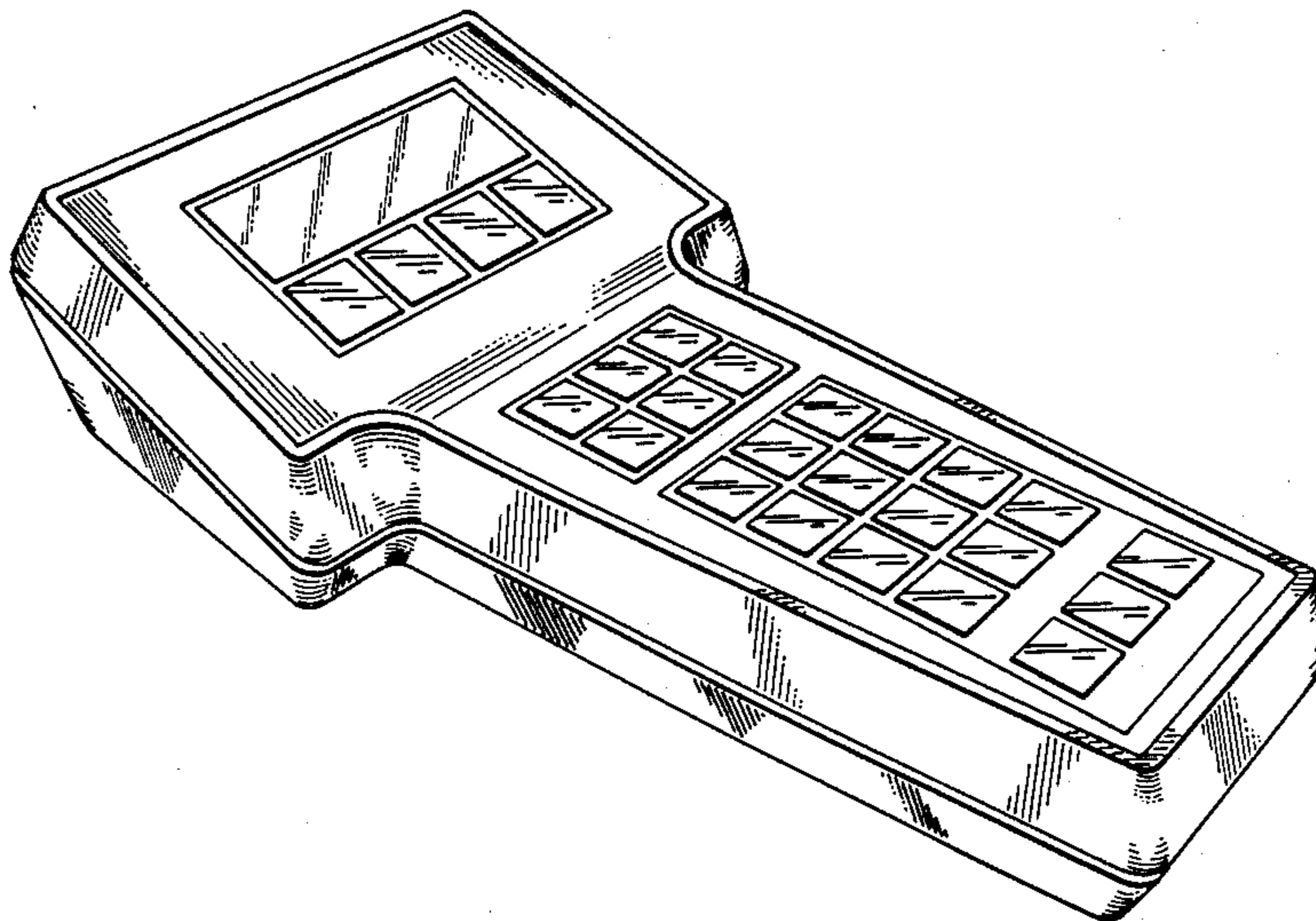
FIG. 2 is a top plan view thereof;

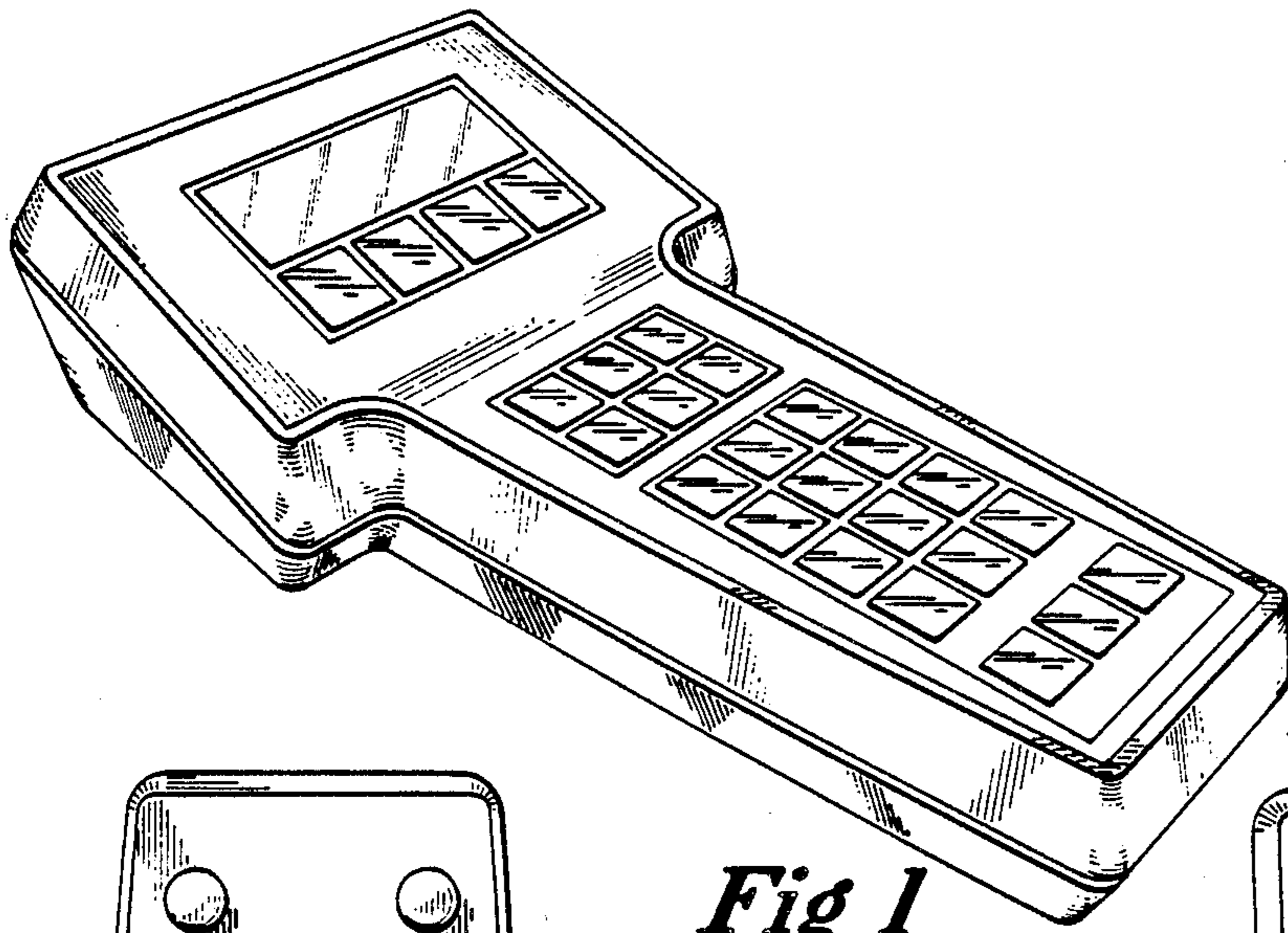
FIG. 3 is a bottom plan view thereof;

FIG. 4 is a right side elevational view thereof, the left side being a mirror image;

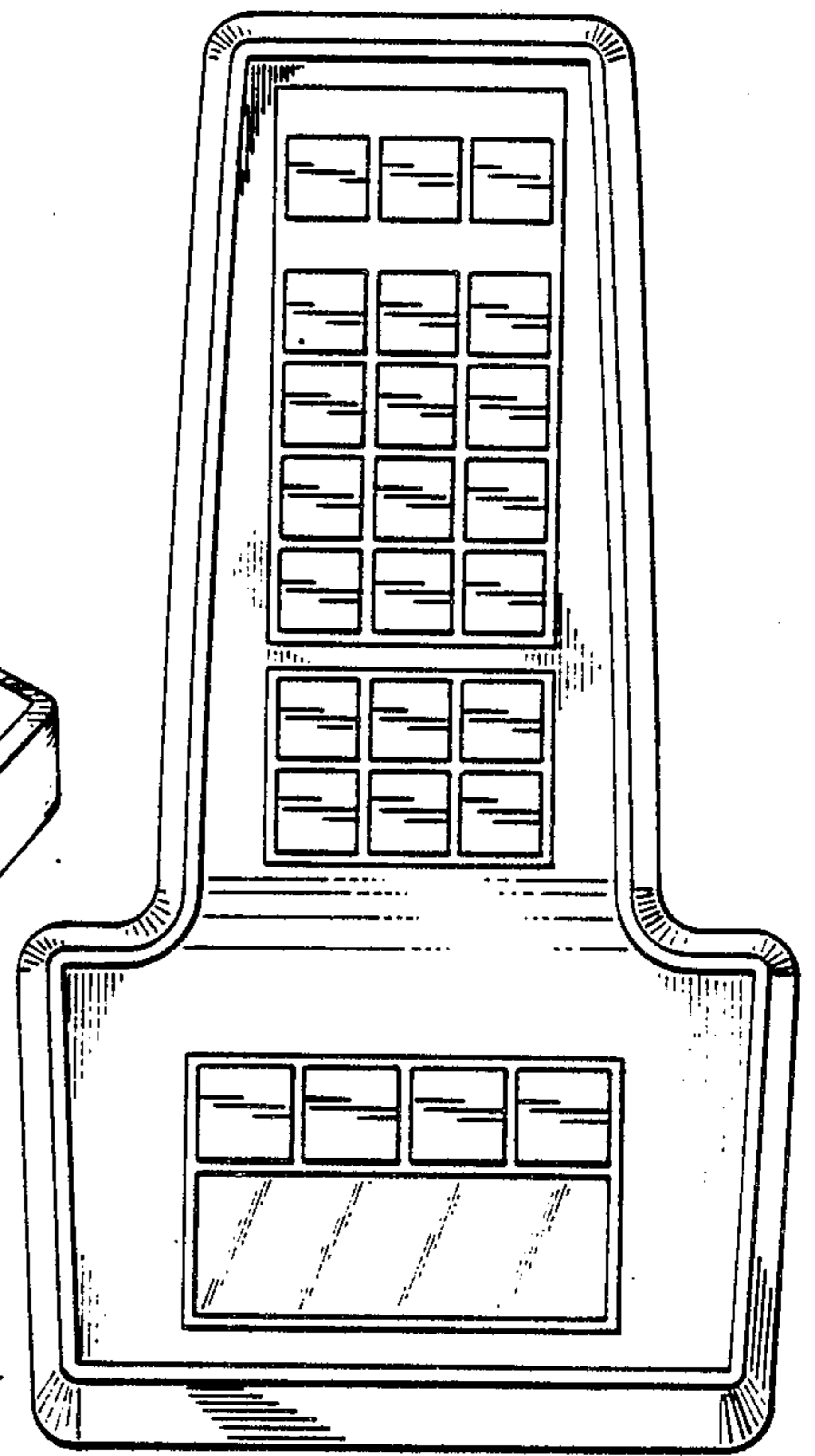
FIG. 5 is a rear elevational view thereof; and

FIG. 6 is a front elevational view thereof.

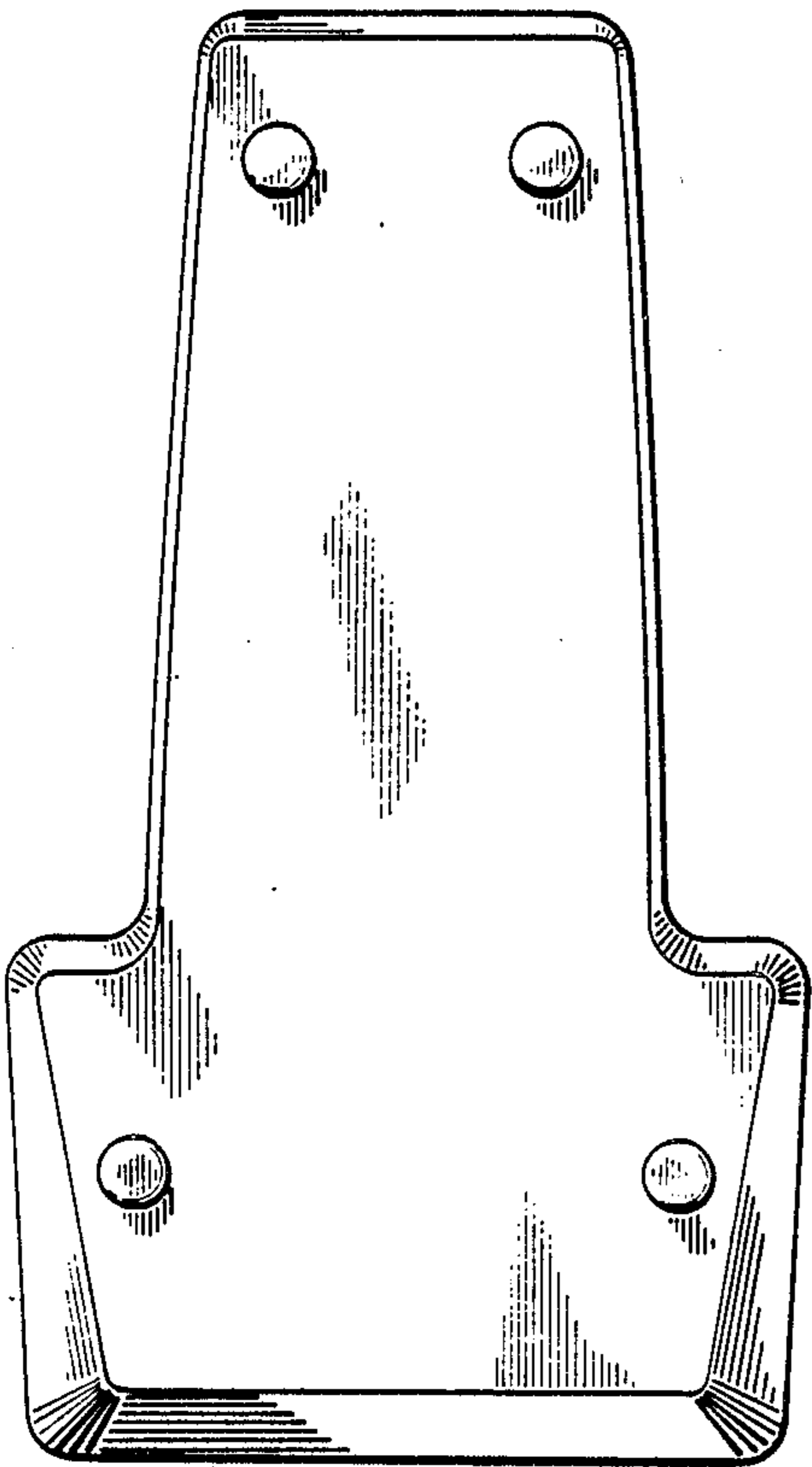




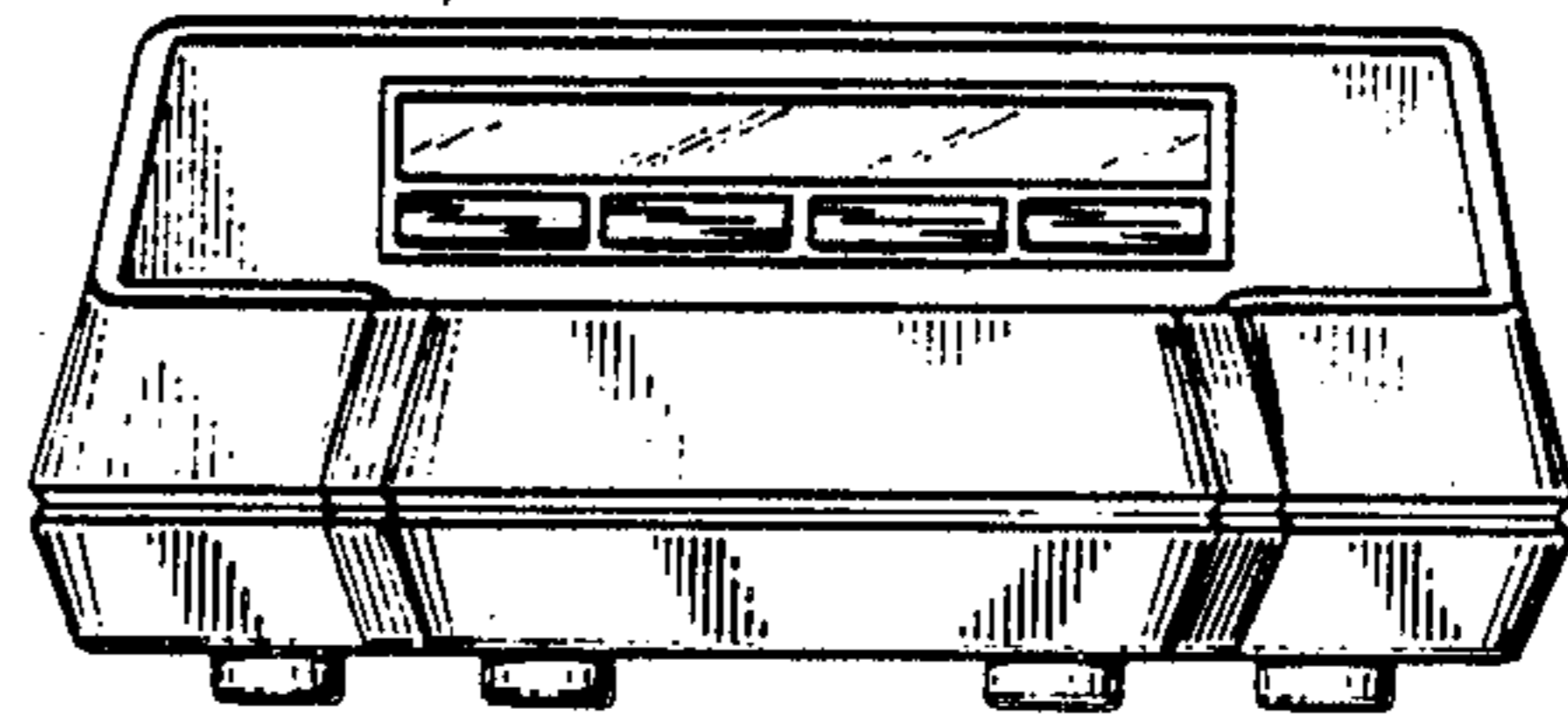
*Fig 1*



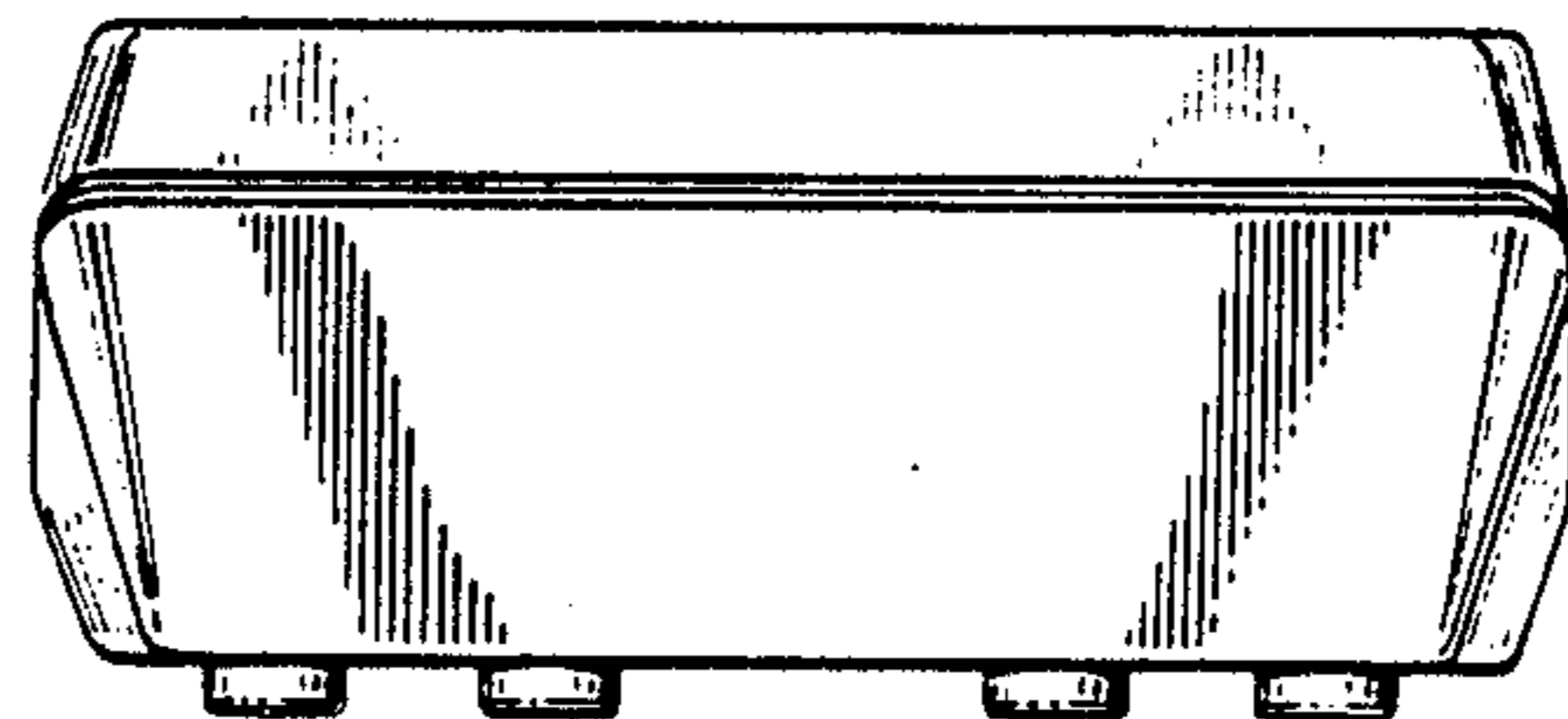
*Fig 2*



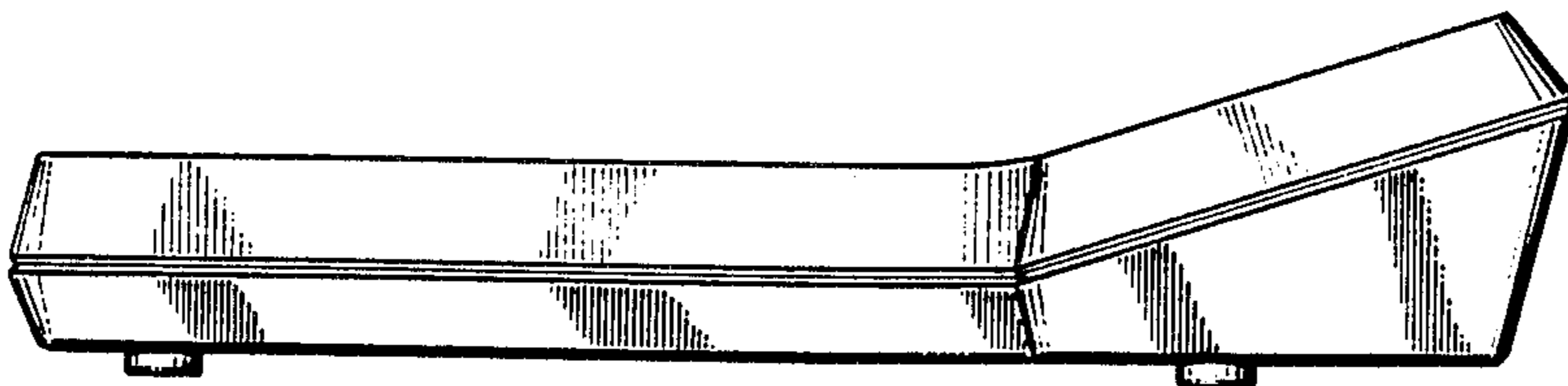
*Fig 3*



*Fig 5*



*Fig 6*



*Fig 4*