

[54] HEADSET TELEPHONE

[76] Inventors: Cathy Y. Boggs; Larry W. Boggs, both of HCR 87, Box 1432, Thornton, Ky. 41855

[**] Term: 14 Years

[21] Appl. No.: 756,644

[22] Filed: Jul. 19, 1985

[52] U.S. Cl. D14/53; D14/59

[58] Field of Search D14/67, 65, 36, 76, D14/58, 95; D13/5, 6; 179/156 R, 156 A, 2 EA

[56] References Cited

U.S. PATENT DOCUMENTS

D. 207,094	3/1967	Rakocy	D13/6 X
D. 221,826	9/1971	Cook	D13/6 X
D. 229,499	12/1973	Krumin et al.	D13/6 X
D. 231,474	4/1974	Helgesson	D13/6 X
D. 282,289	1/1986	Verdier	D13/6 X
1,483,315	2/1924	Saal	179/156 R
3,218,607	11/1965	Brock et al.	179/156 R

3,272,926	9/1966	Falkenberg	179/156 R
3,977,900	7/1976	Foley	179/156 R
4,138,598	2/1979	Cech	179/156 R
4,175,217	11/1979	Williams	179/156 R

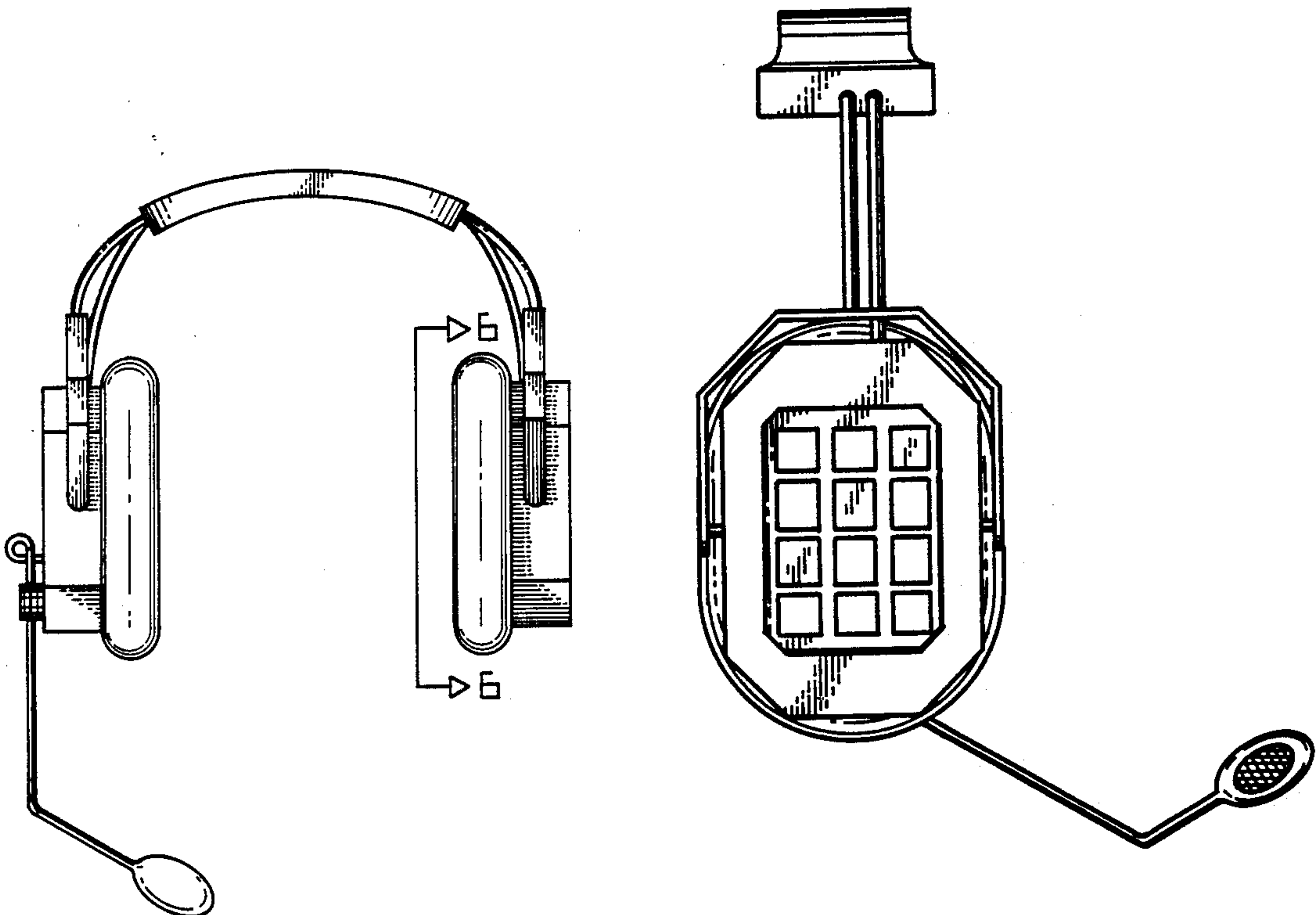
Primary Examiner—Wallace R. Burke
Assistant Examiner—Horace B. Fay
Attorney, Agent, or Firm—Don E. Ferrell

[57] CLAIM

The ornamental design for a headset telephone, as shown and described.

DESCRIPTION

FIG. 1 is a front elevational view of a headset telephone showing our new design, the rear elevation being basically a mirror image;
FIGS. 2 and 3 are respectively top and bottom plan views thereof;
FIGS. 4 and 5 are respectively left and right side elevational views thereof; and
FIG. 6 is a cross-sectional view of the earphone interior taken along the line 6—6 in FIG. 1.



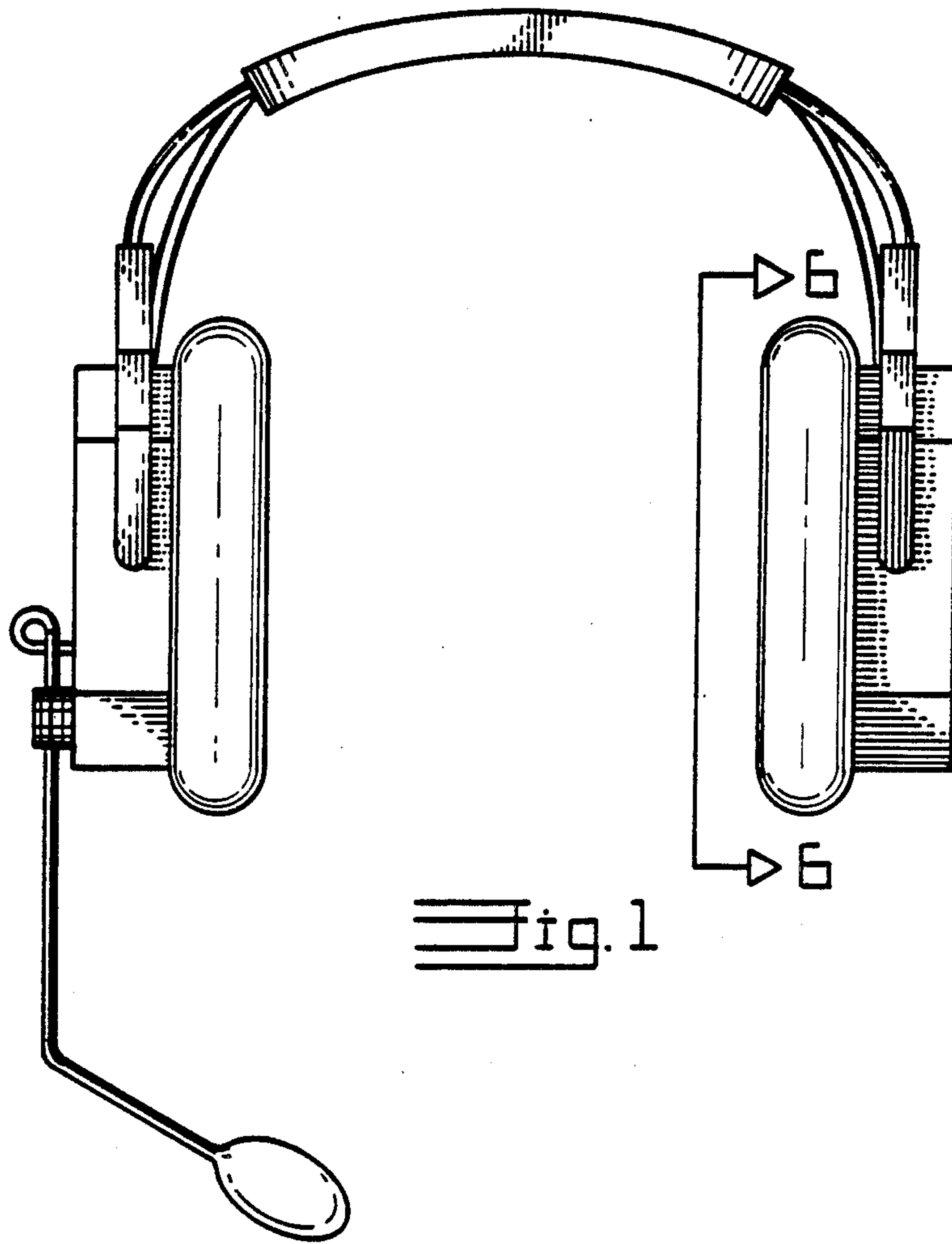


Fig. 1

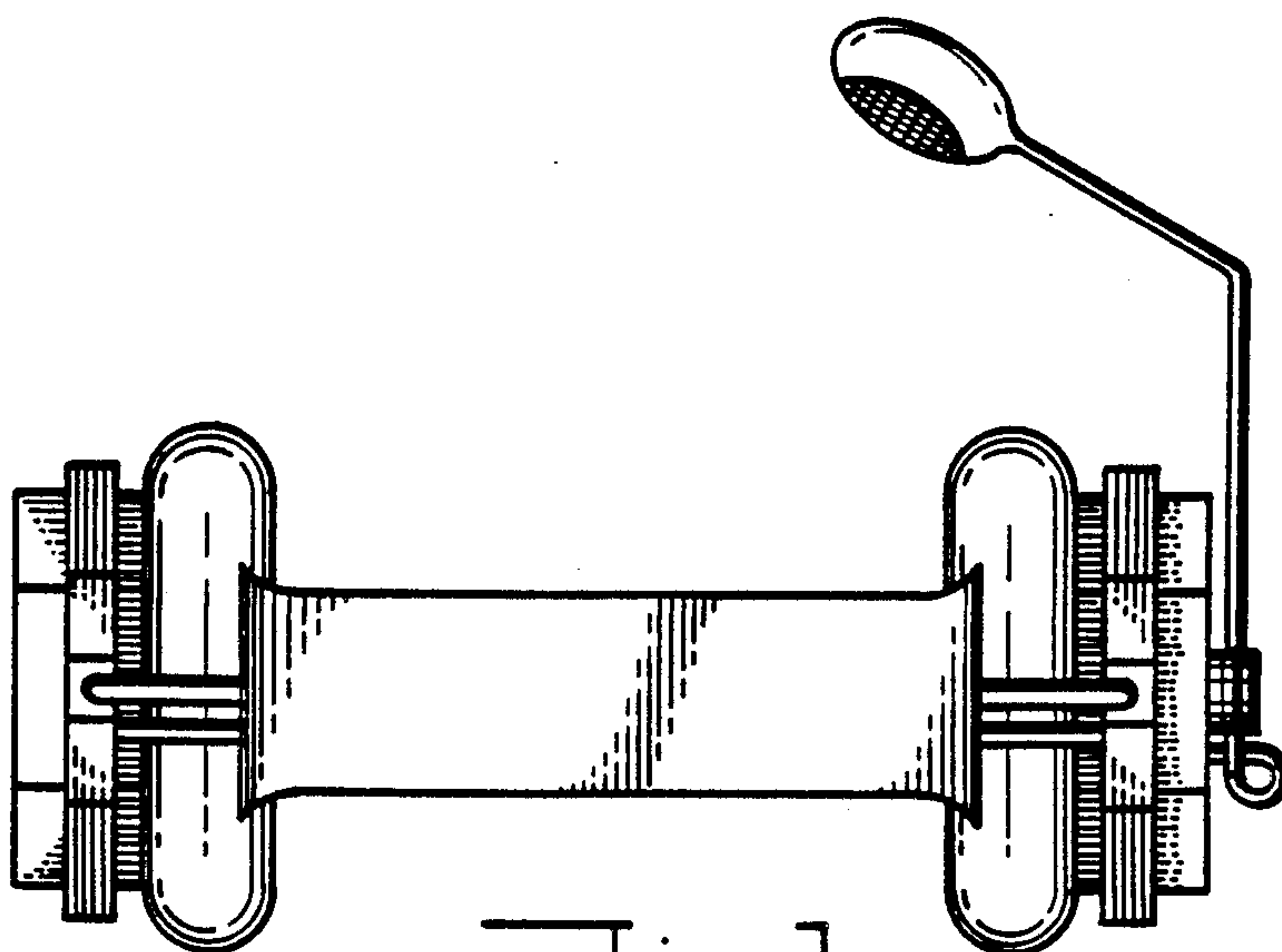


Fig. 2

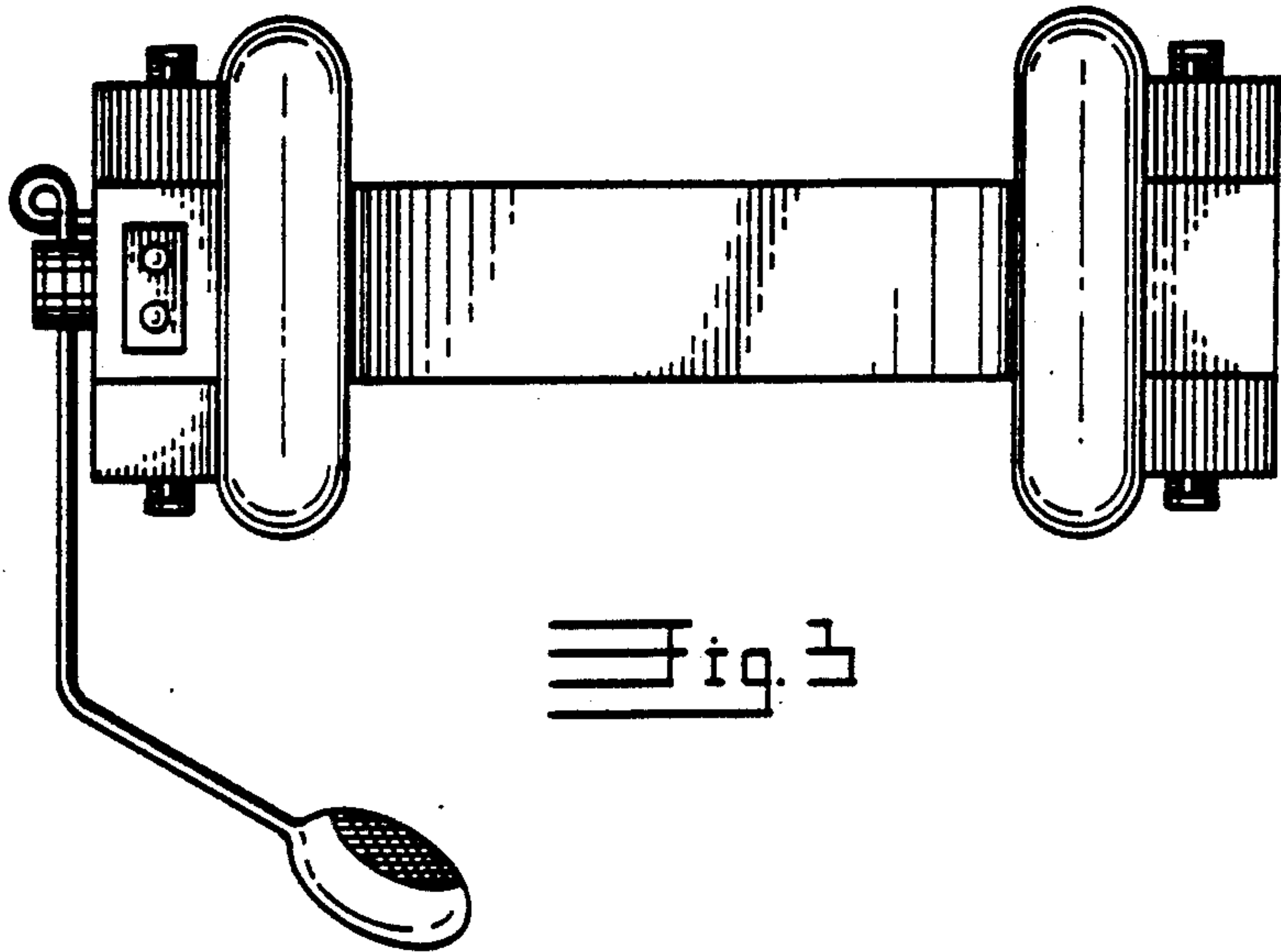


Fig. 3

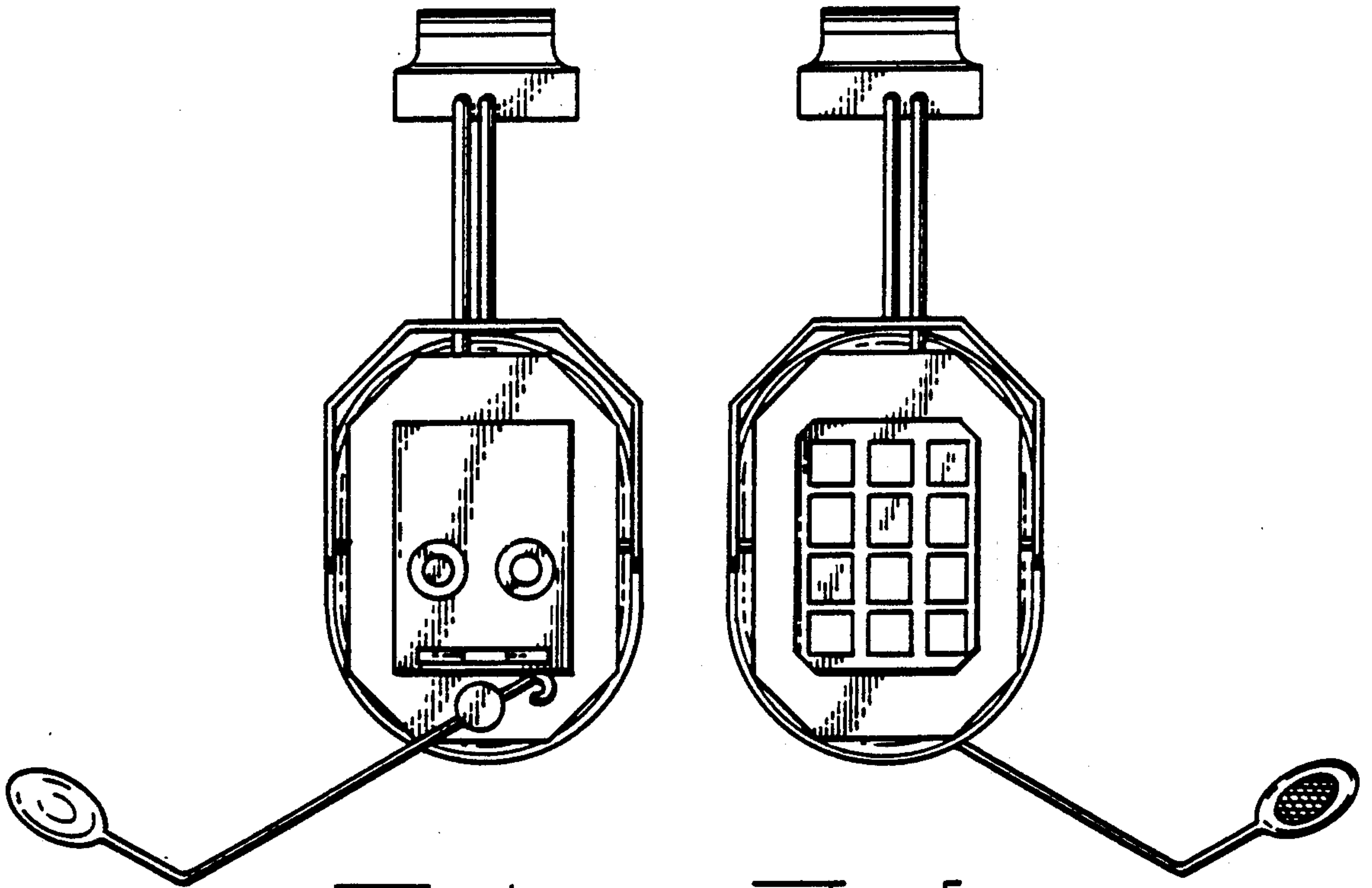


Fig. 4

Fig. 5

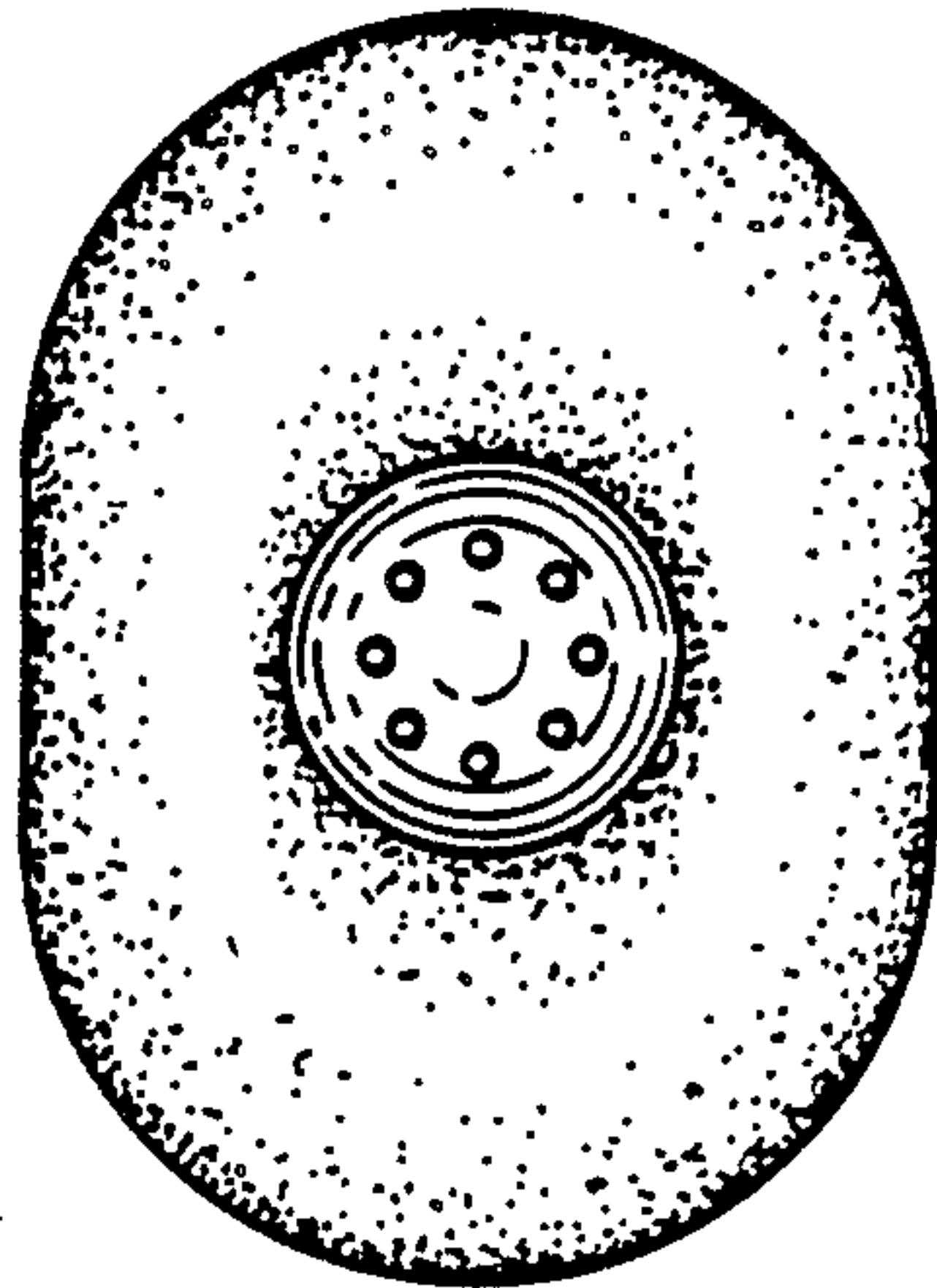


Fig. 6

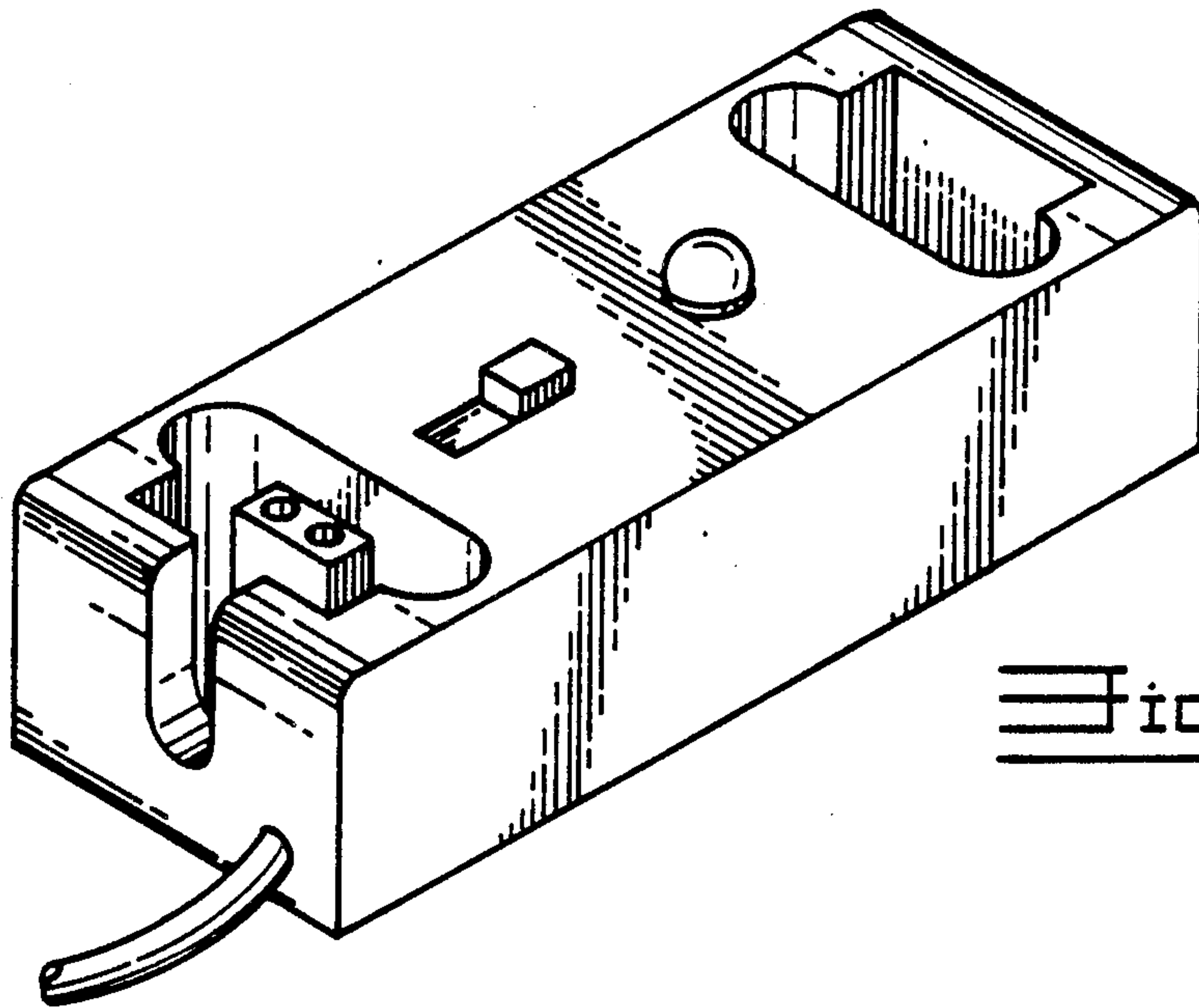


Fig. 7