

[54] CARTRIDGE FOR GAME MACHINE

[75] Inventor: Masayuki Yukawa, Kyoto, Japan

[73] Assignee: Nintendo Co., Ltd., Kyoto, Japan

[**] Term: 14 Years

[21] Appl. No.: 923,683

[22] Filed: Oct. 27, 1986

[52] U.S. Cl. D14/11; D14/114

[58] Field of Search D14/1, 10, 11, 99, 114; D3/35; 360/132; 206/387; 273/DIG. 28; D21/13, 48

[56] References Cited

U.S. PATENT DOCUMENTS

- D. 248,470 7/1978 Talesfore D14/11
- D. 257,345 10/1980 Levy D14/11
- D. 261,644 11/1981 McKinsey et al. D14/11
- D. 263,222 3/1982 Driscoll D14/11
- D. 267,714 1/1983 Tajima et al. D14/11
- D. 269,087 5/1983 Nishi D14/11
- D. 271,688 12/1983 Tajima et al. D14/11
- D. 271,777 12/1983 Schlagheck et al. D14/11 X
- D. 274,905 7/1984 Rainey et al. D14/10 X

OTHER PUBLICATIONS

Hong Kong Enterprise, 4/84, p. 104, bottom of page—Floppy Disk Controller.

Primary Examiner—Bernard Ansher
Assistant Examiner—Theodore M. Shooman

Attorney, Agent, or Firm—Larry A. Jackson

[57] CLAIM

The ornamental design for a cartridge for game machine, as shown and described.

DESCRIPTION

FIG. 1 is a top, front and right side perspective view of a cartridge for a game machine showing my new design; FIG. 2 is a bottom, rear and right side perspective view thereof;

FIG. 3 is a rear elevational view thereof;

FIG. 4 is a top plan view thereof;

FIG. 5 is a front elevational view thereof;

FIG. 6 is a left side elevational view thereof;

FIG. 7 is a bottom plan view thereof;

FIG. 8 is a top, front and right side perspective view of a second embodiment of the cartridge illustrated in FIG. 1;

FIG. 9 is a bottom, rear and right side perspective view of the embodiment disclosed in FIG. 8;

FIG. 10 is a top, front and right side perspective view of a third embodiment of the cartridge disclosed in FIG. 1; and

FIG. 11 is a bottom, rear and right side perspective view of the embodiment disclosed in FIG. 10.

The left side elevational view of the second embodiment of the cartridge is a mirror image of the right side thereof.

The left side elevational view of the third embodiment of the cartridge is a mirror image of the right side thereof.

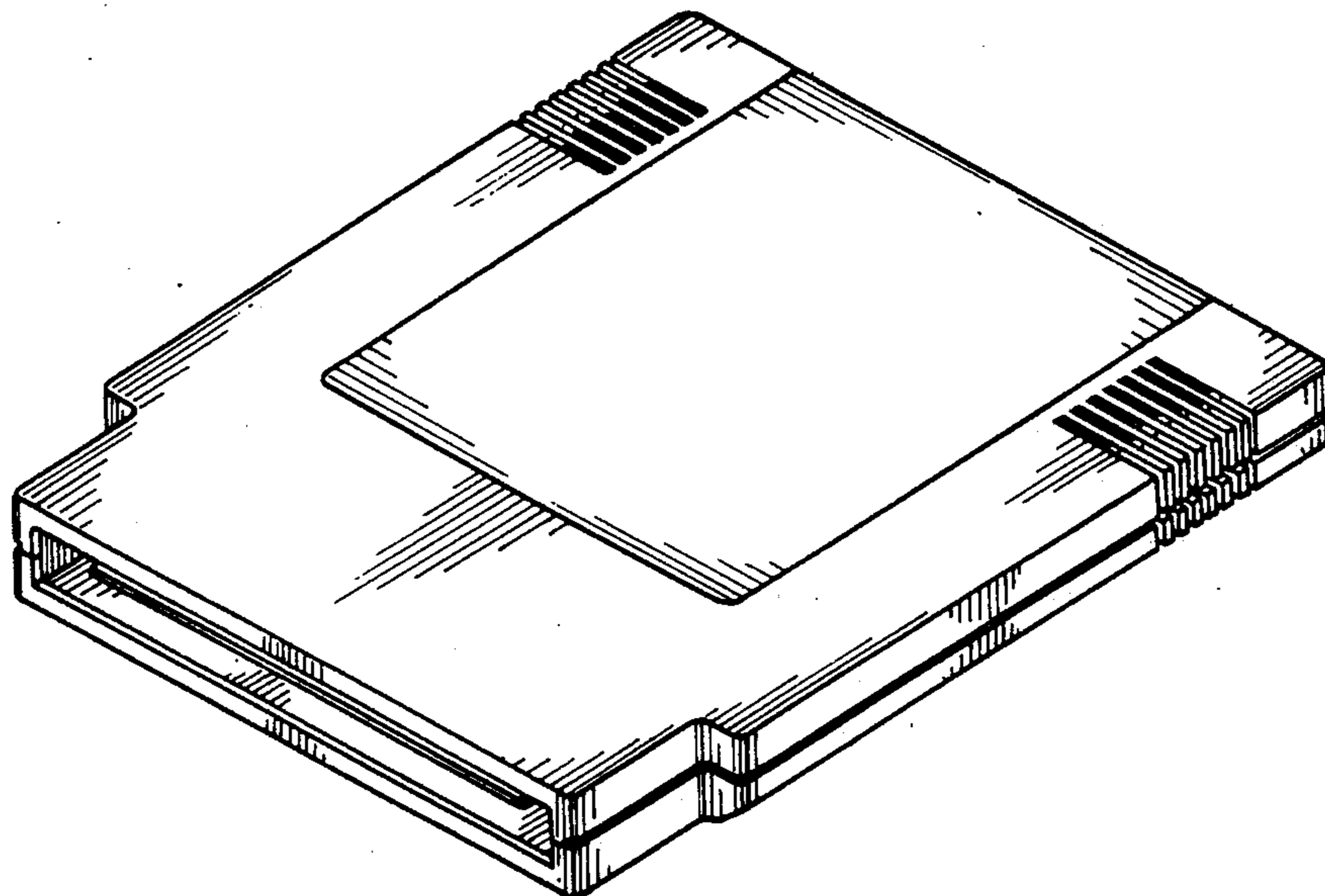


FIG. 1

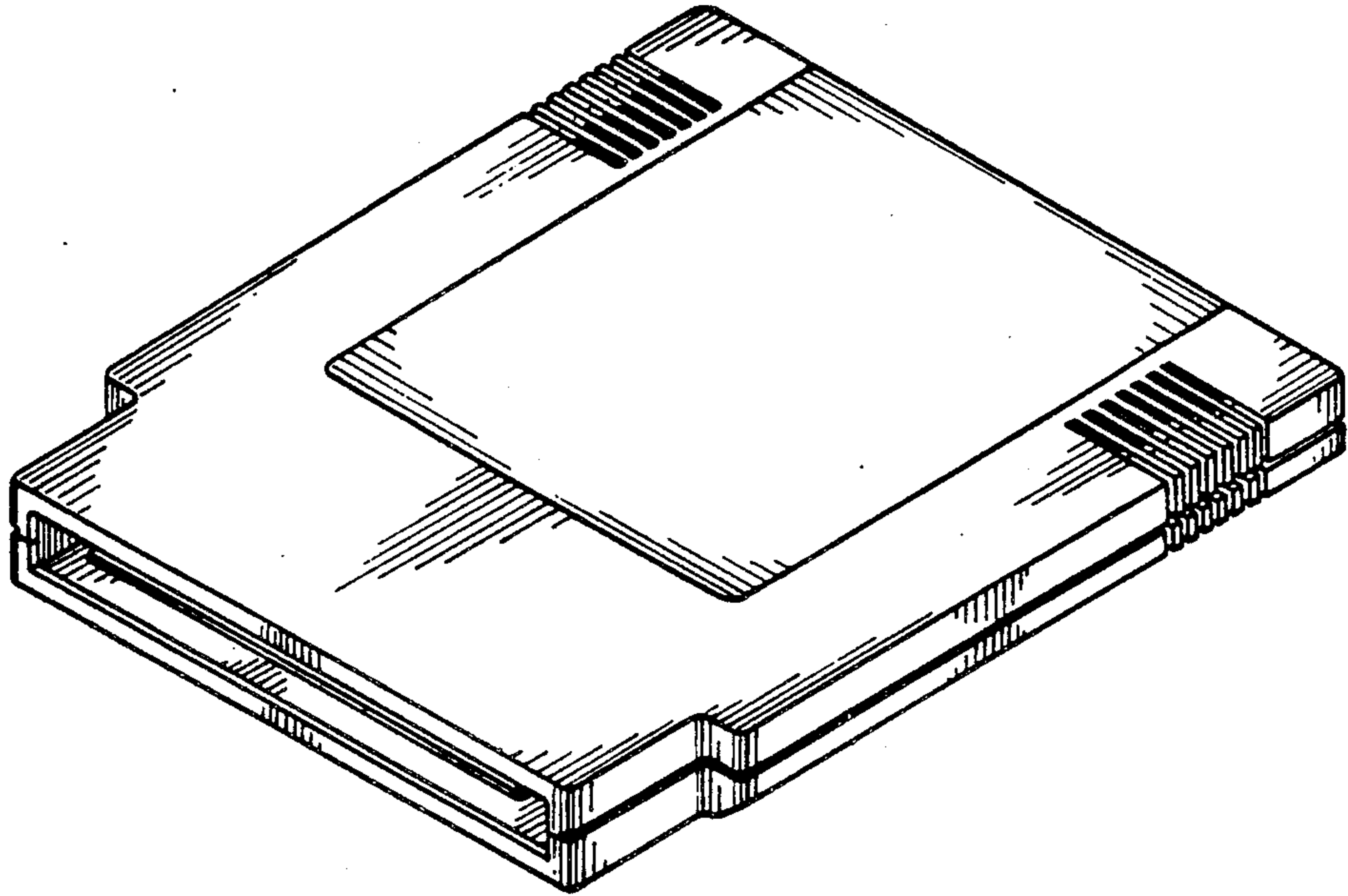


FIG. 2

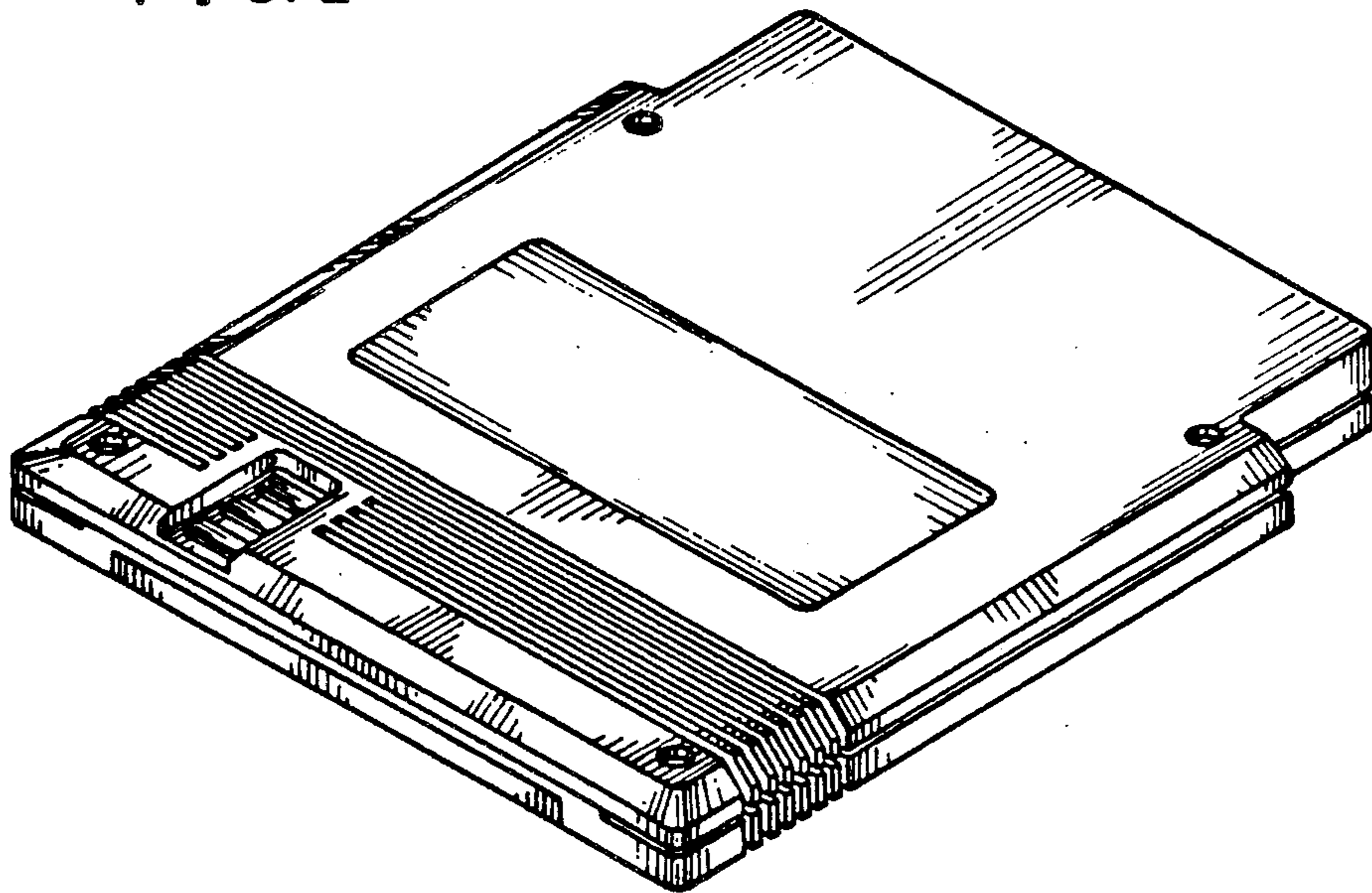


FIG. 3



FIG. 4

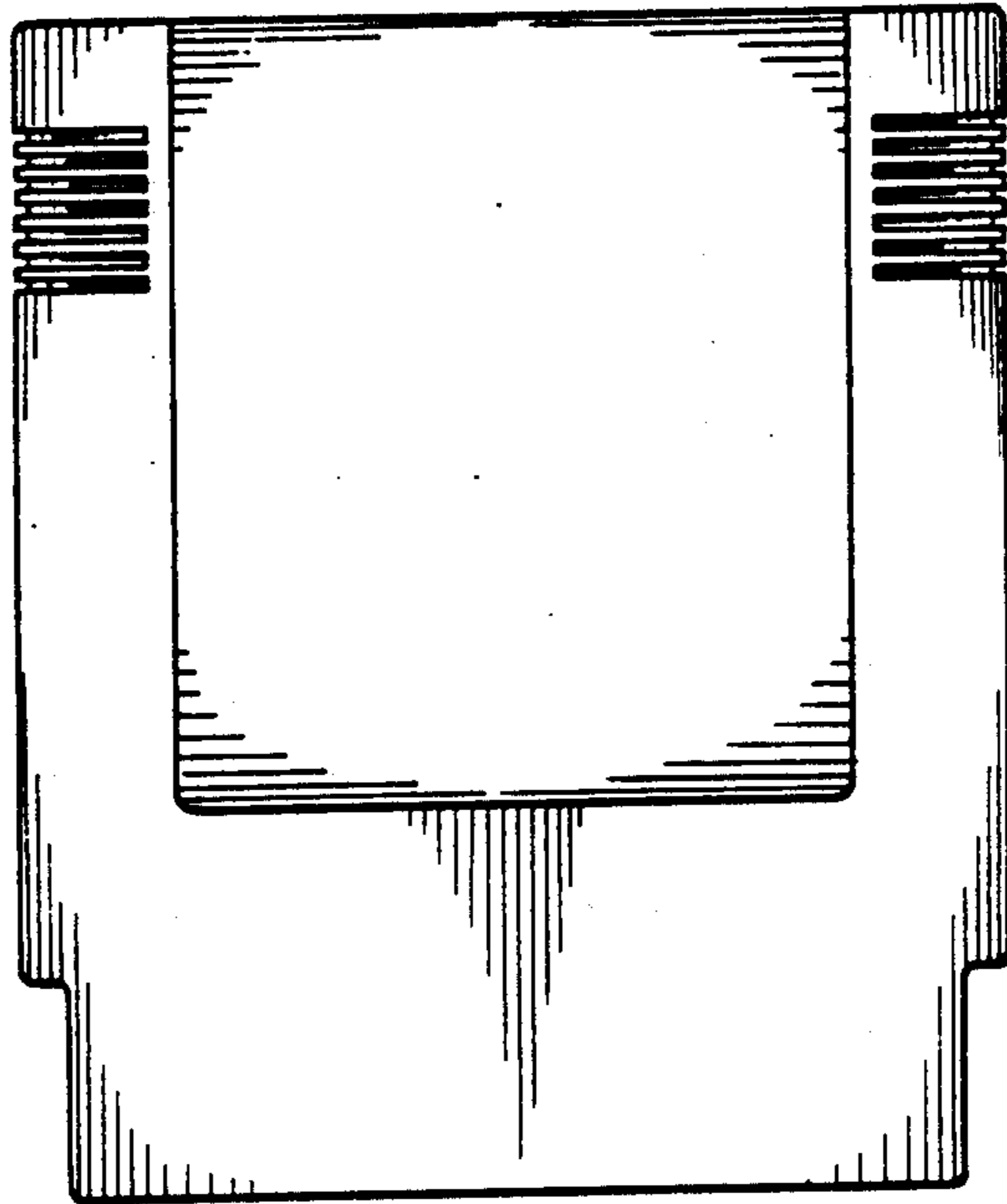


FIG. 5

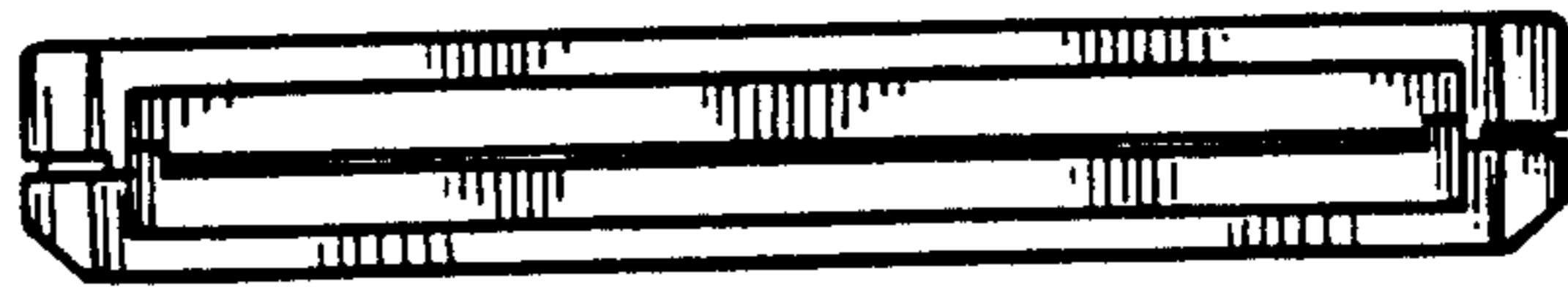


FIG. 6

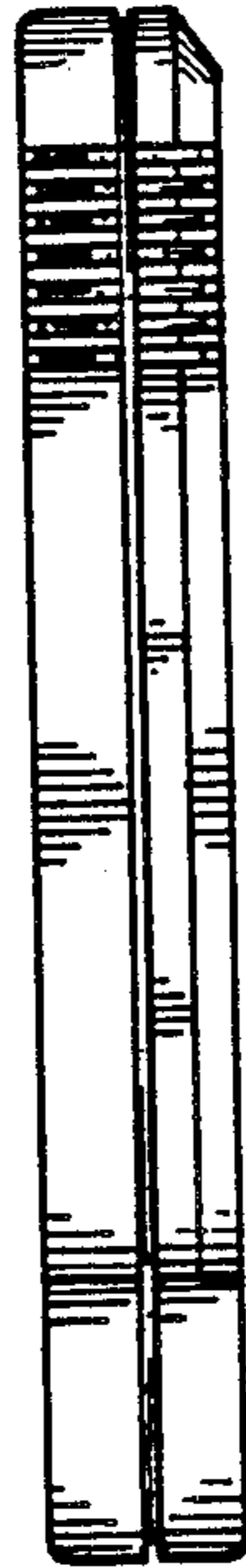


FIG. 7

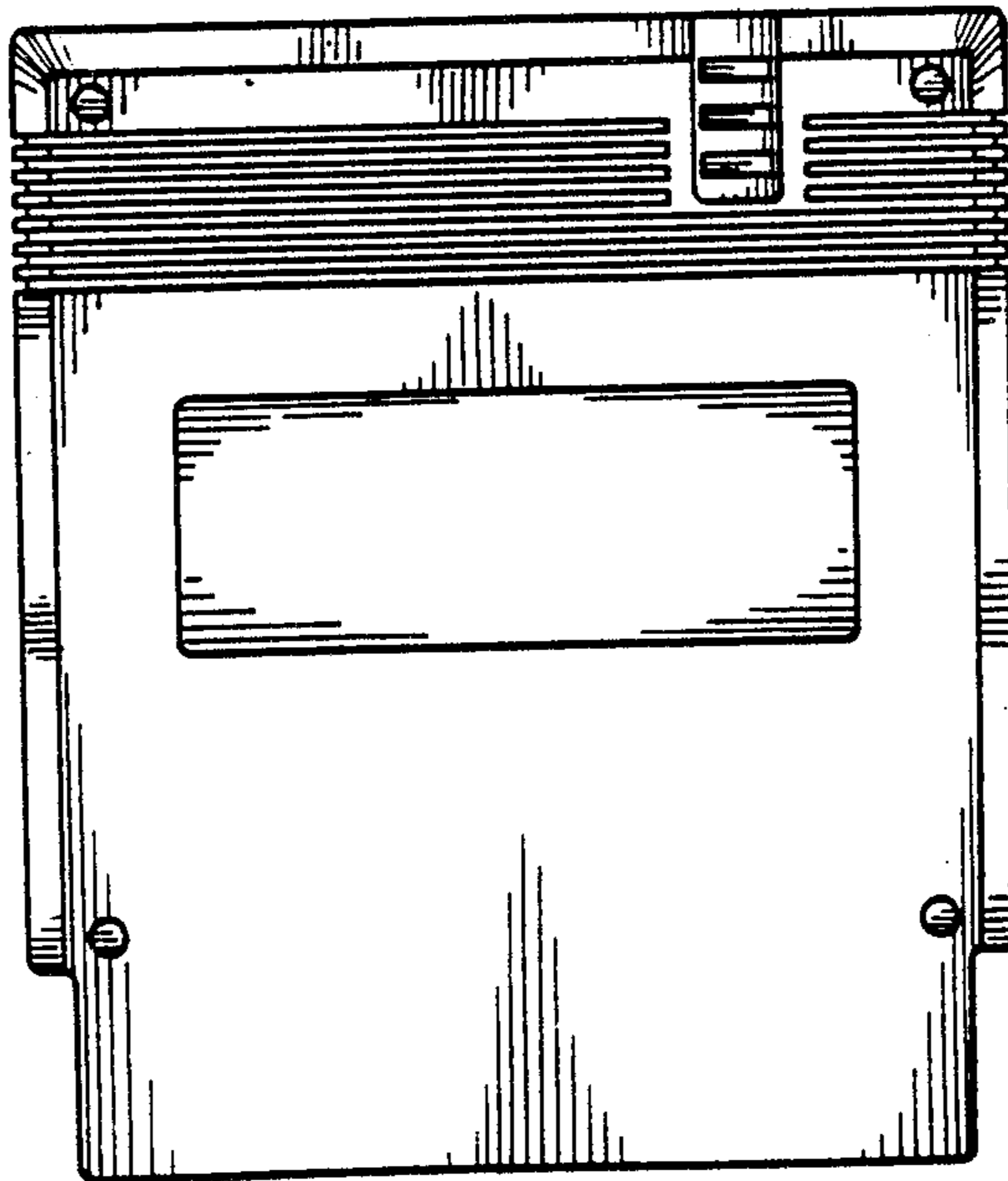


FIG. 8

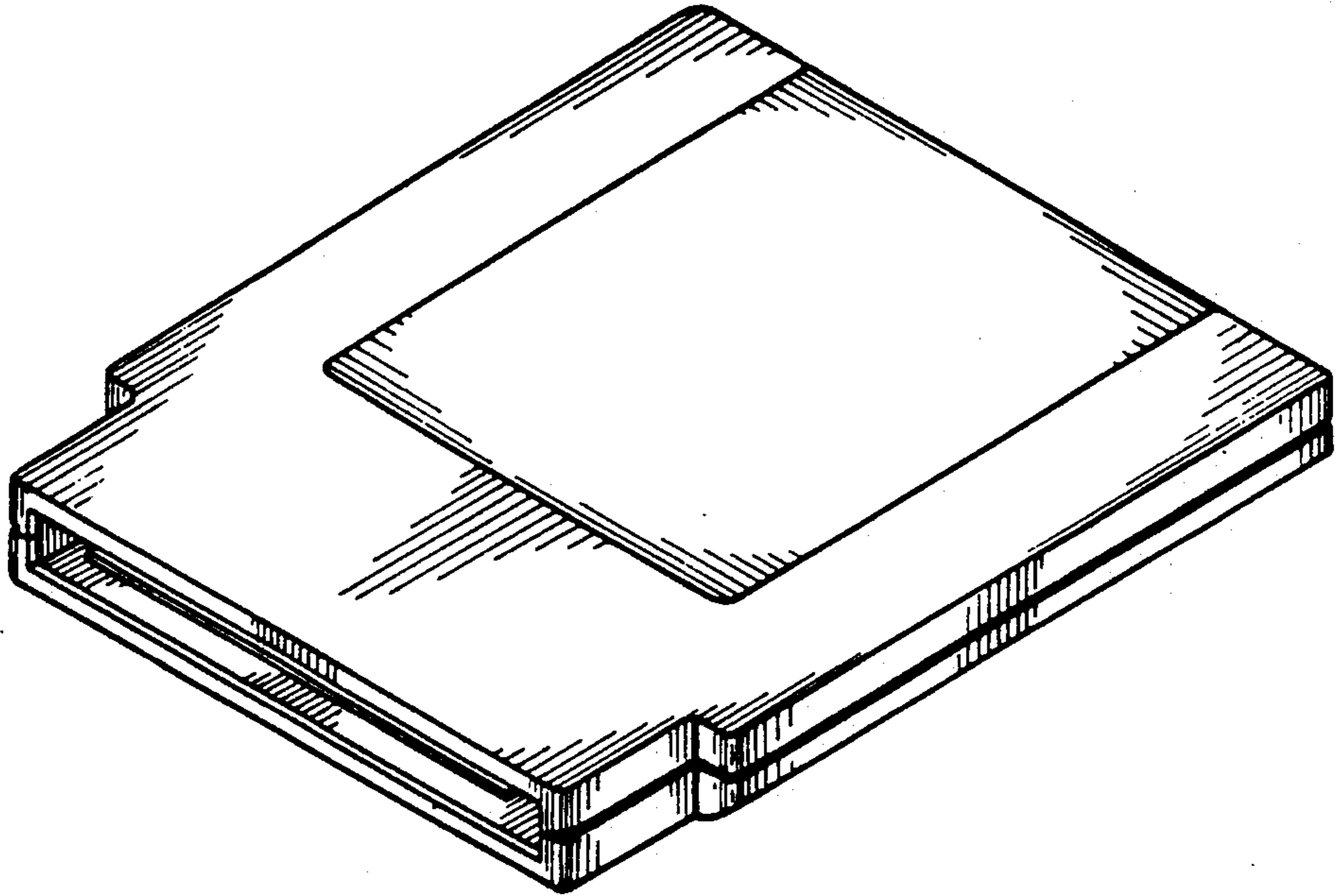


FIG. 9

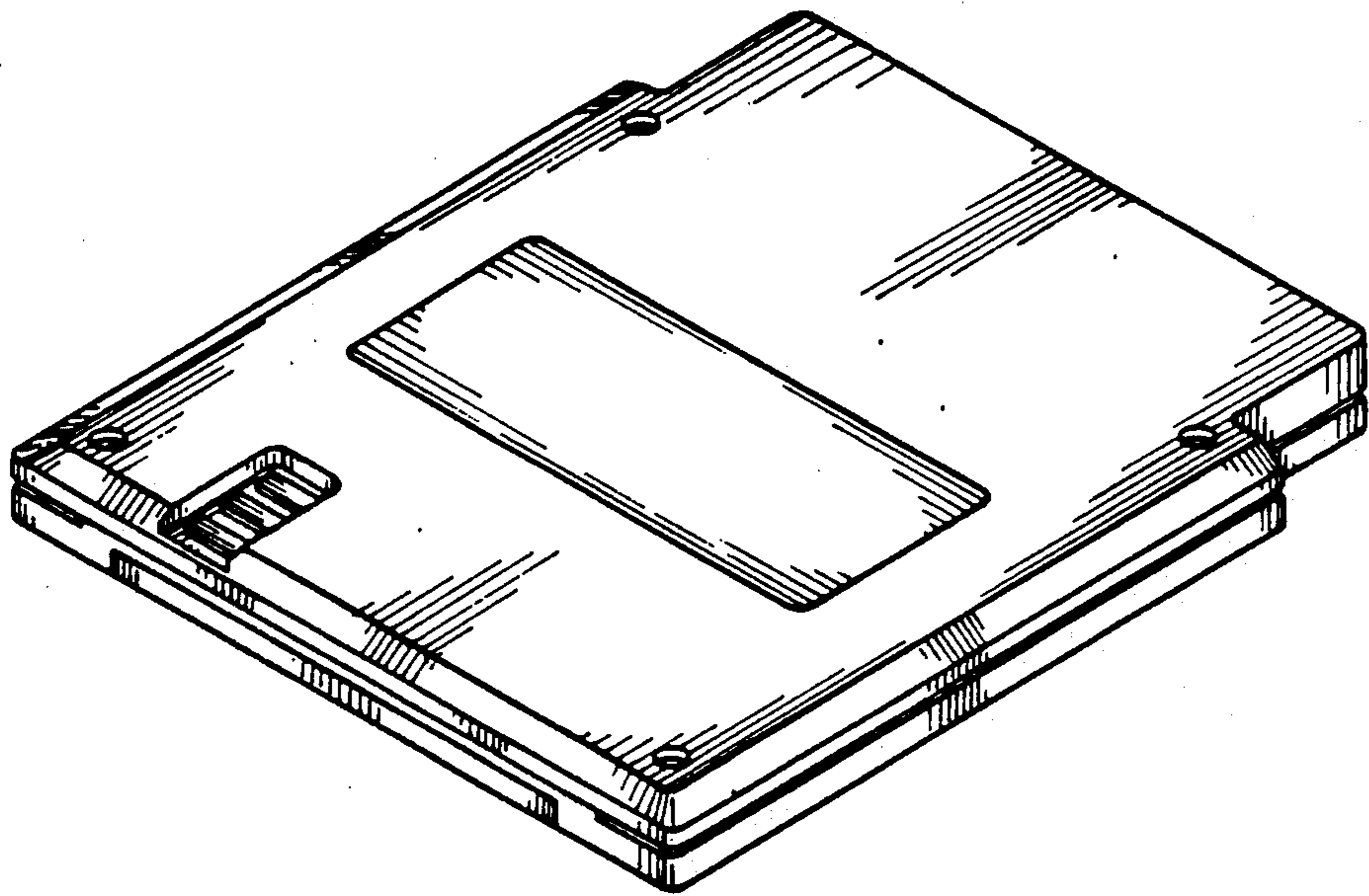


FIG.10

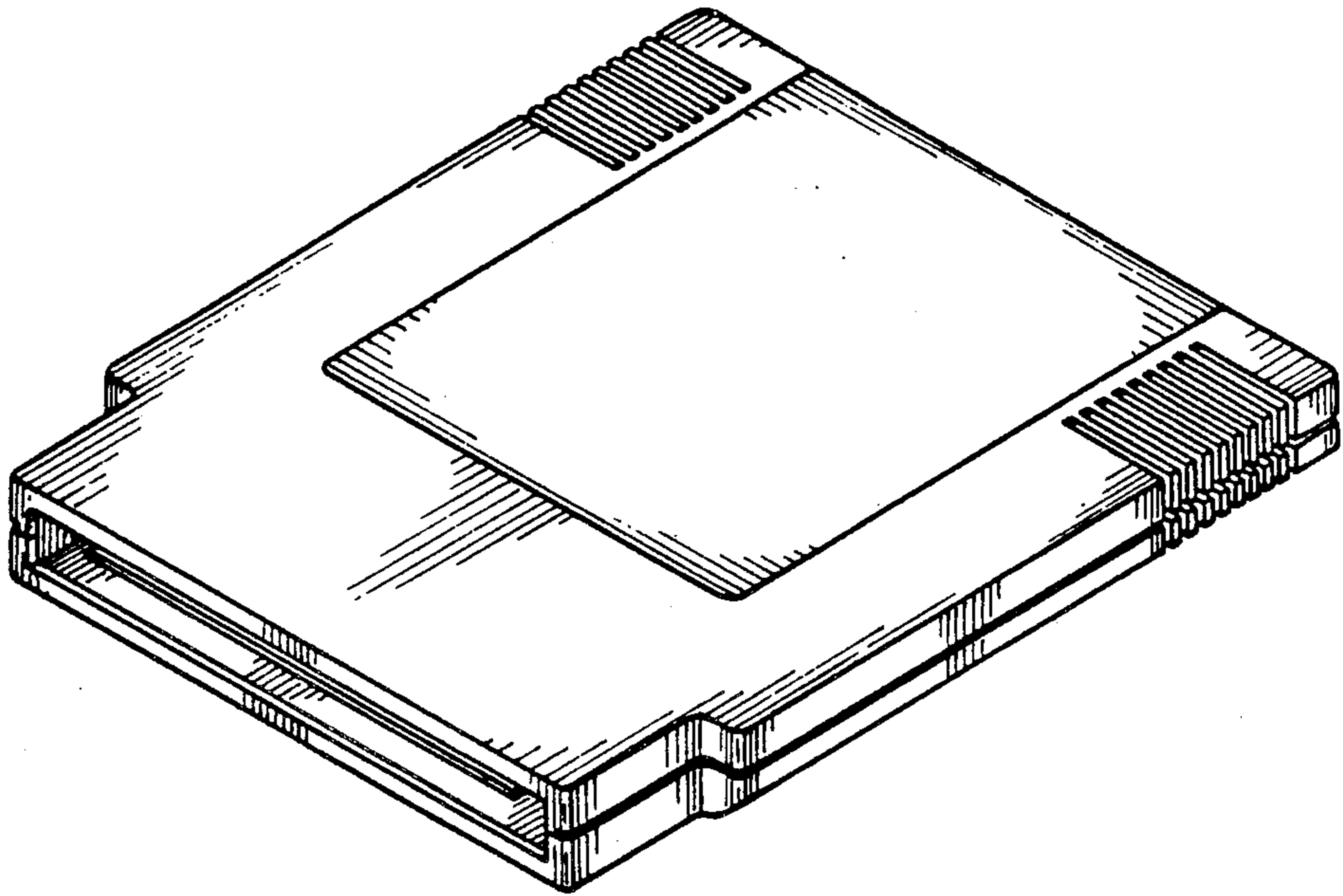


FIG.11

