

[54] FRONT CONTROL PANEL FOR A COMBINED VEHICULAR CASSETTE PLAYER AND RADIO RECEIVER

[75] Inventors: Harlan E. Kifer, Birmingham; Richard C. Litner, Milford; Richard Megregian, Farmington Hills; Michael G. Moore, Rochester, all of Mich.

[73] Assignee: Chrysler Motors Corporation, Highland Park, Mich.

[**] Term: 14 Years

[21] Appl. No.: 749,255

[22] Filed: Jun. 27, 1985

[52] U.S. Cl. D14/10; D14/7; D14/68

[58] Field of Search D14/1, 5, 7, 36, 10, D14/68-76, 95, 99; 455/73, 89, 90, 345, 346, 347, 350, 351, 344

[56] References Cited

U.S. PATENT DOCUMENTS

- D. 261,136 10/1981 Yamada et al. D14/5
- D. 276,335 11/1984 Yoshida D14/5
- D. 289,039 3/1987 Stoddard D14/10

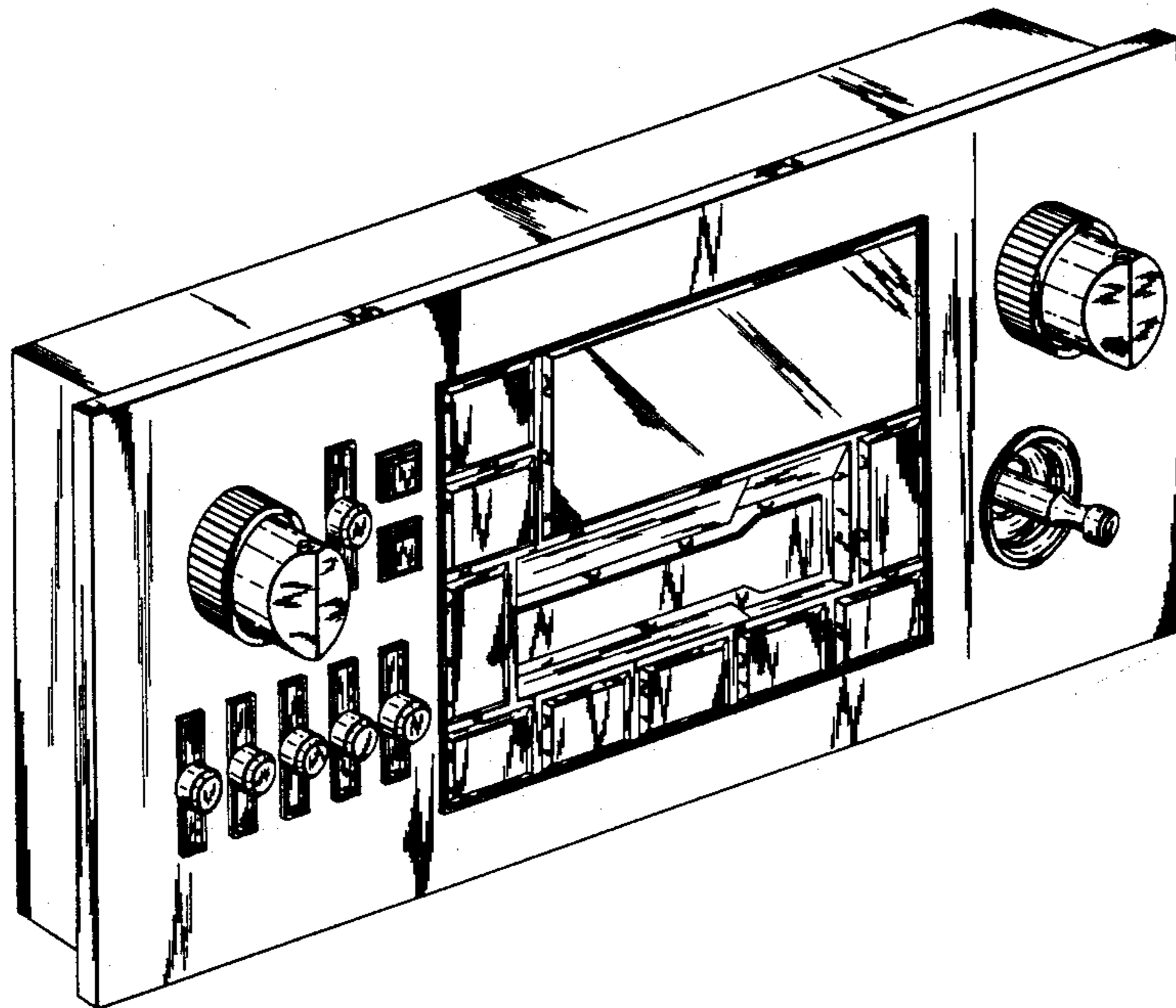
Primary Examiner—Bernard Ansher
Assistant Examiner—Theodore M. Shooman
Attorney, Agent, or Firm—Mark P. Calcaterra

[57] CLAIM

The ornamental design for front control panel for a combined vehicular cassette player and radio receiver, as shown and described.

DESCRIPTION

FIG. 1 is a top, front and left side perspective view of a front control panel for a combined vehicular cassette player and radio receiver showing our new design; FIG. 2 is a top plan view thereof; FIG. 3 is a front elevational view thereof; FIG. 4 is a bottom plan view thereof; FIG. 5 is a left side elevational view thereof; FIG. 6 is a right side elevational view thereof; and FIG. 7 is a front elevational view of a second embodiment of the control panel illustrated in FIG. 1.



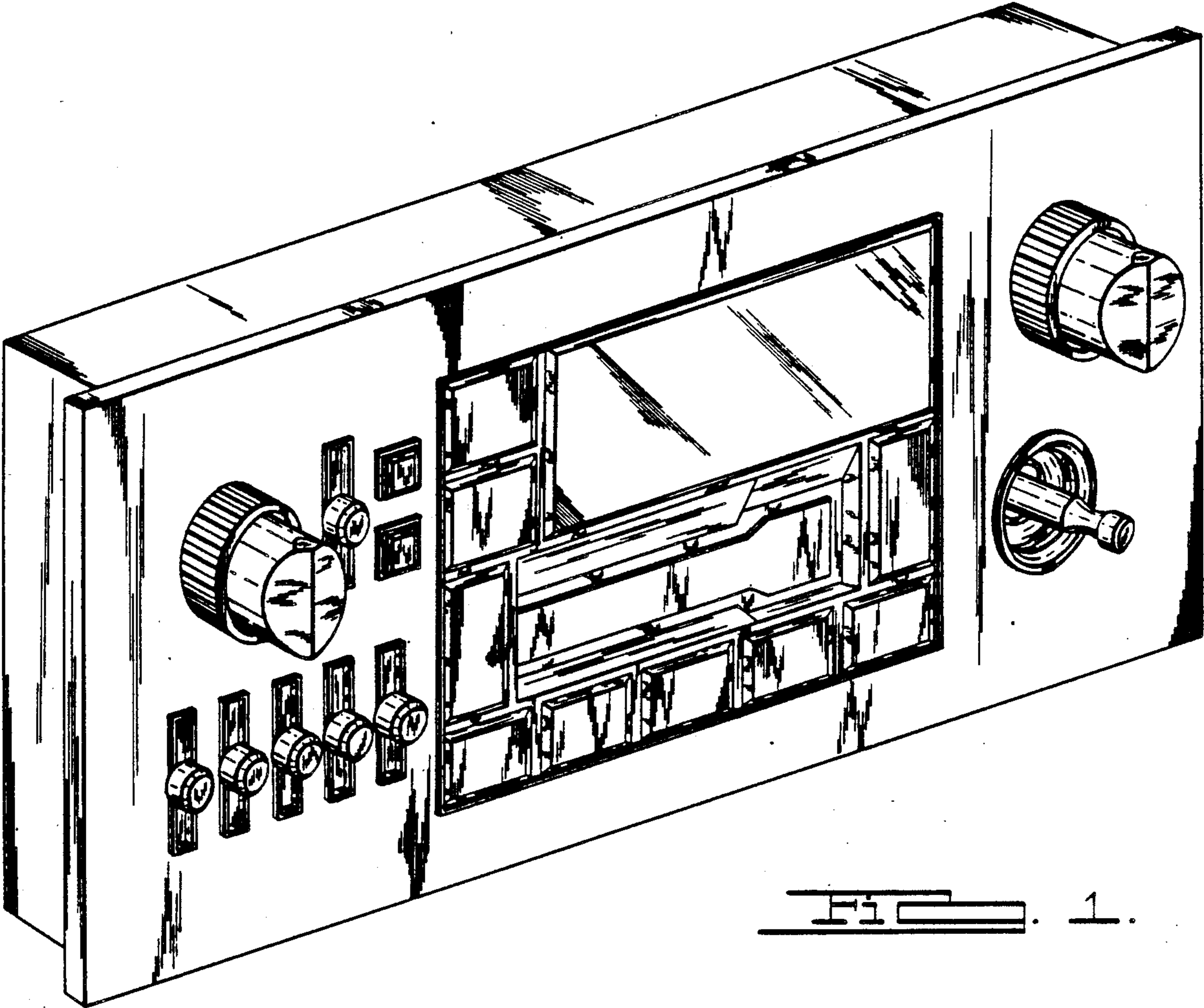


FIG. 1.

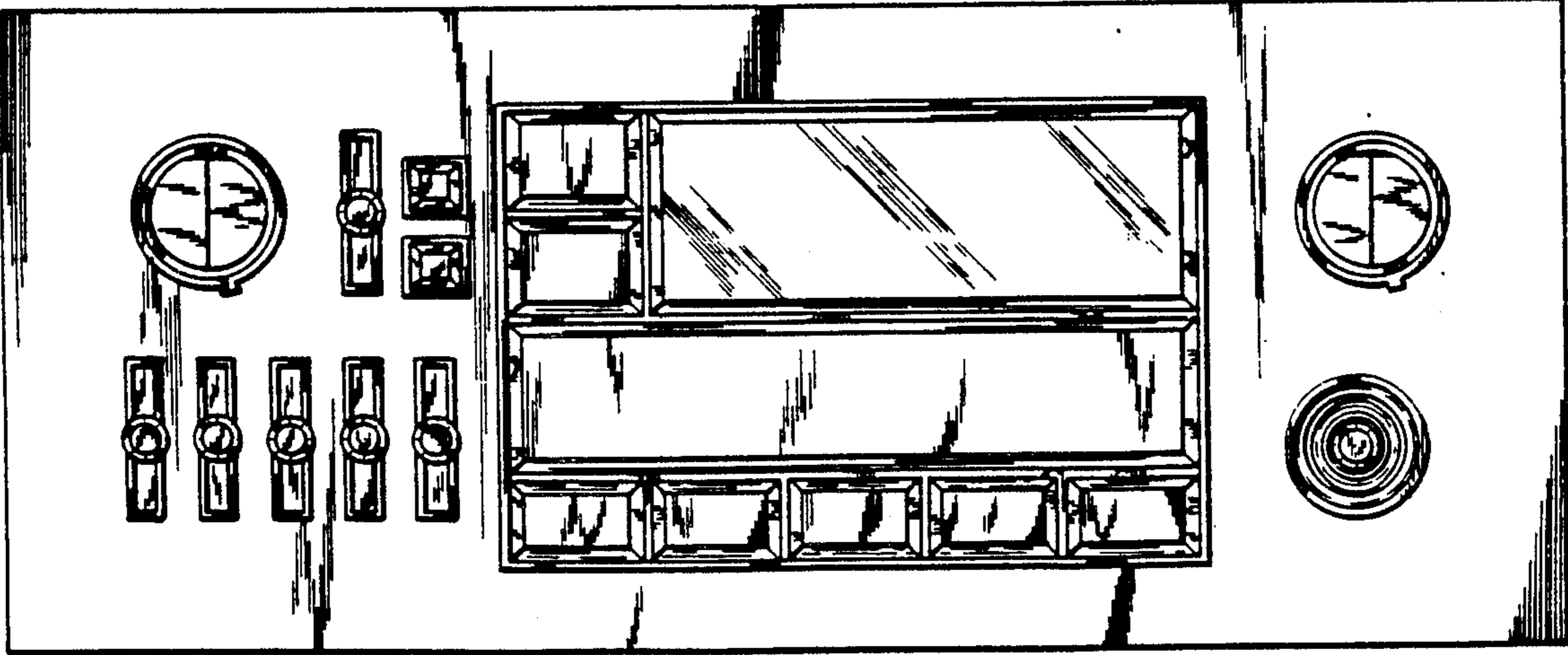


FIG. 2.

