

[54] MODULAR ELECTRICAL PLUG

[75] Inventors: John M. Poliak, East Meadow; Robert W. Gritz, Bronx; Juan M. Lopez, Jamaica, all of N.Y.

[73] Assignee: Leviton Manufacturing Company, Inc., Little Neck, N.Y.

[**] Term: 14 Years

[21] Appl. No.: 677,612

[22] Filed: Dec. 3, 1984

[52] U.S. Cl. D13/28; D13/29

[58] Field of Search D13/11, 24-31; 339/196 R, 196 A, 196 M, 107, 108 R, 208, 209, 166 R, 97 P

[56] References Cited

U.S. PATENT DOCUMENTS

- D. 152,992 3/1949 Ludwig .
- 1,674,253 6/1928 Lightfoot .
- 1,687,167 10/1928 Mann .
- 3,025,486 3/1962 Falconer .
- 3,856,376 12/1974 Poliak et al. .
- 4,138,185 2/1979 Jaconette, Jr. .

FOREIGN PATENT DOCUMENTS

65600 11/1949 Netherlands 339/97 P

OTHER PUBLICATIONS

Electrical Construction & Maintenance vol. 76, No. 1, Jan. 1977 p. 35 Hubbell "Valise" Plug.

Primary Examiner—Wallace R. Burke
Assistant Examiner—C. E. Heflin
Attorney, Agent, or Firm—Paul J. Sutton

[57] CLAIM

The ornamental design for a modular electrical plug, as shown and described.

DESCRIPTION

FIG. 1 is a top plan view of the modular electrical plug showing our new design;
FIG. 2 is a right side elevational view thereof, the left side being a mirror image thereof;
FIG. 3 is a front elevational view thereof;
FIG. 4 is a rear elevational view thereof;
FIG. 5 is a bottom plan view thereof; and
FIG. 6 is a bottom, rear perspective view thereof.

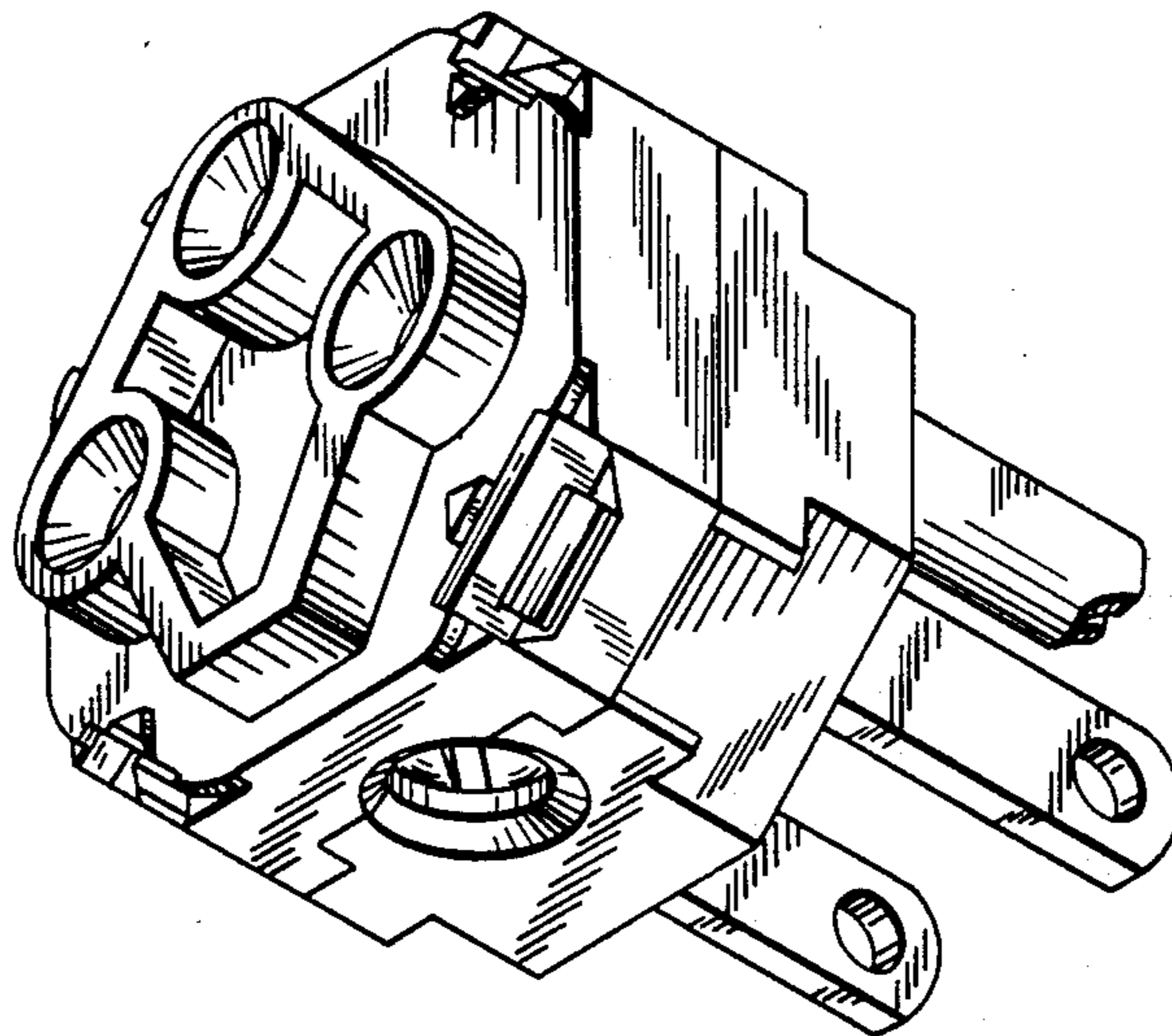


FIG. 1

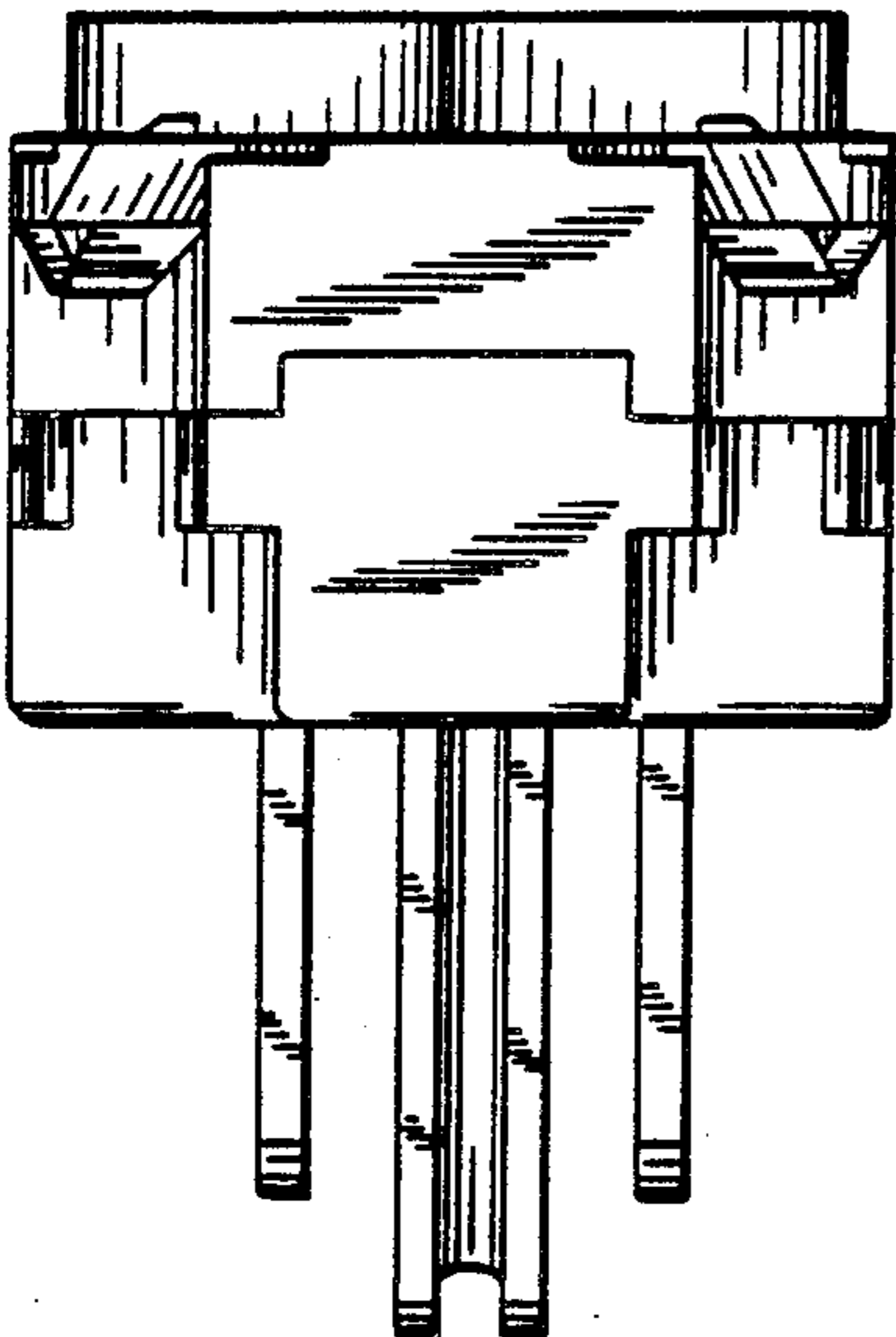


FIG. 2

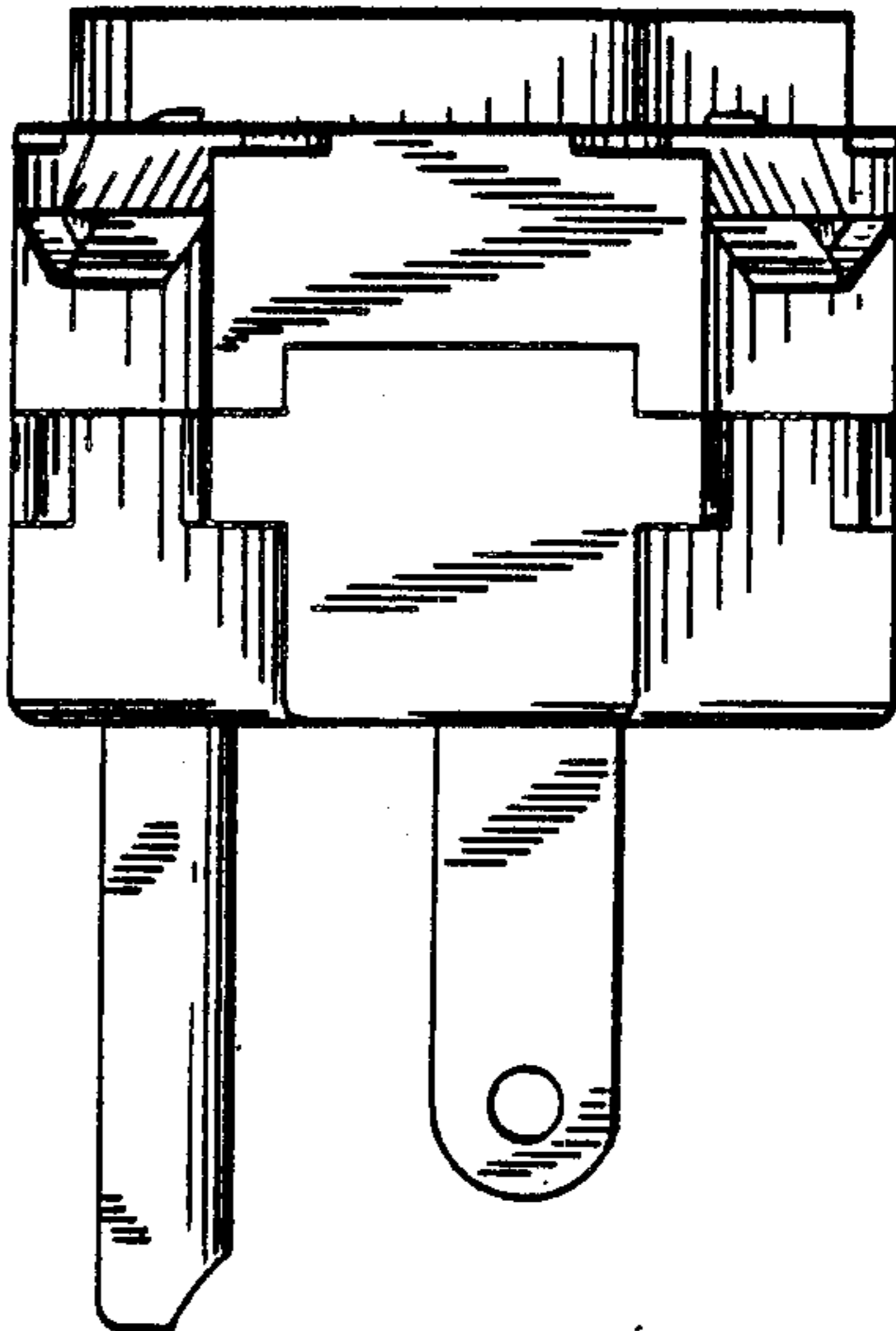
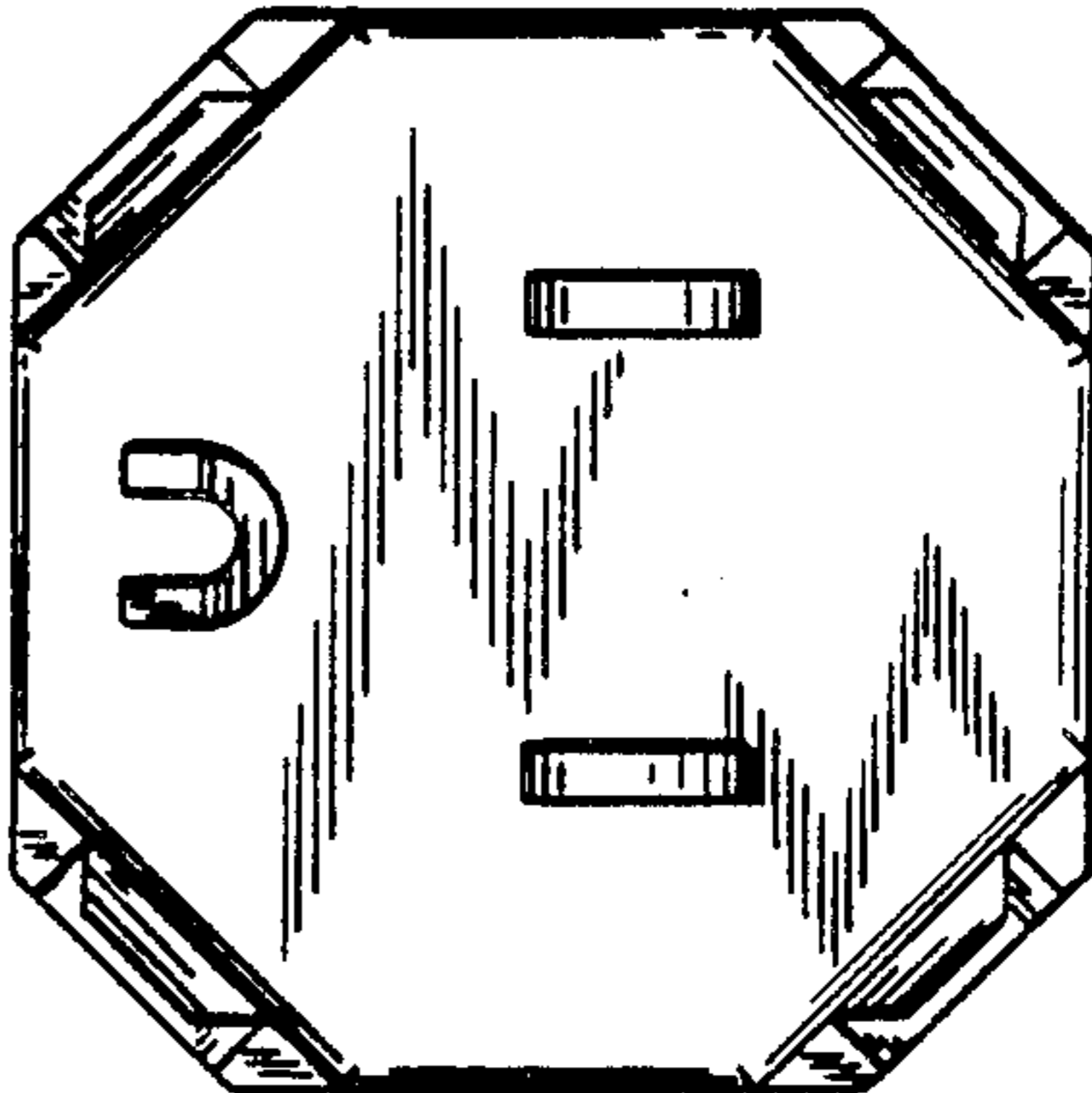


FIG. 3



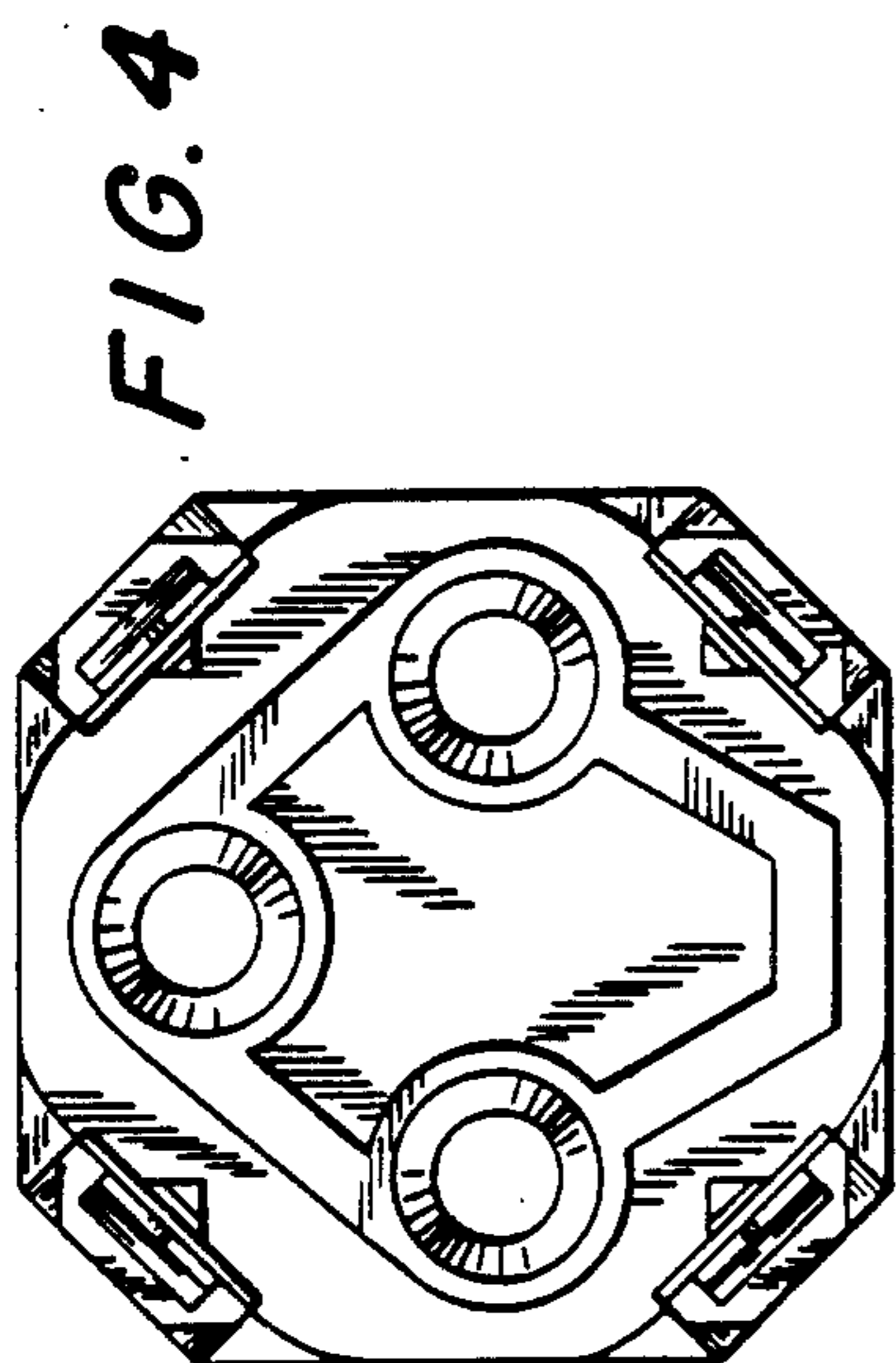


FIG. 6

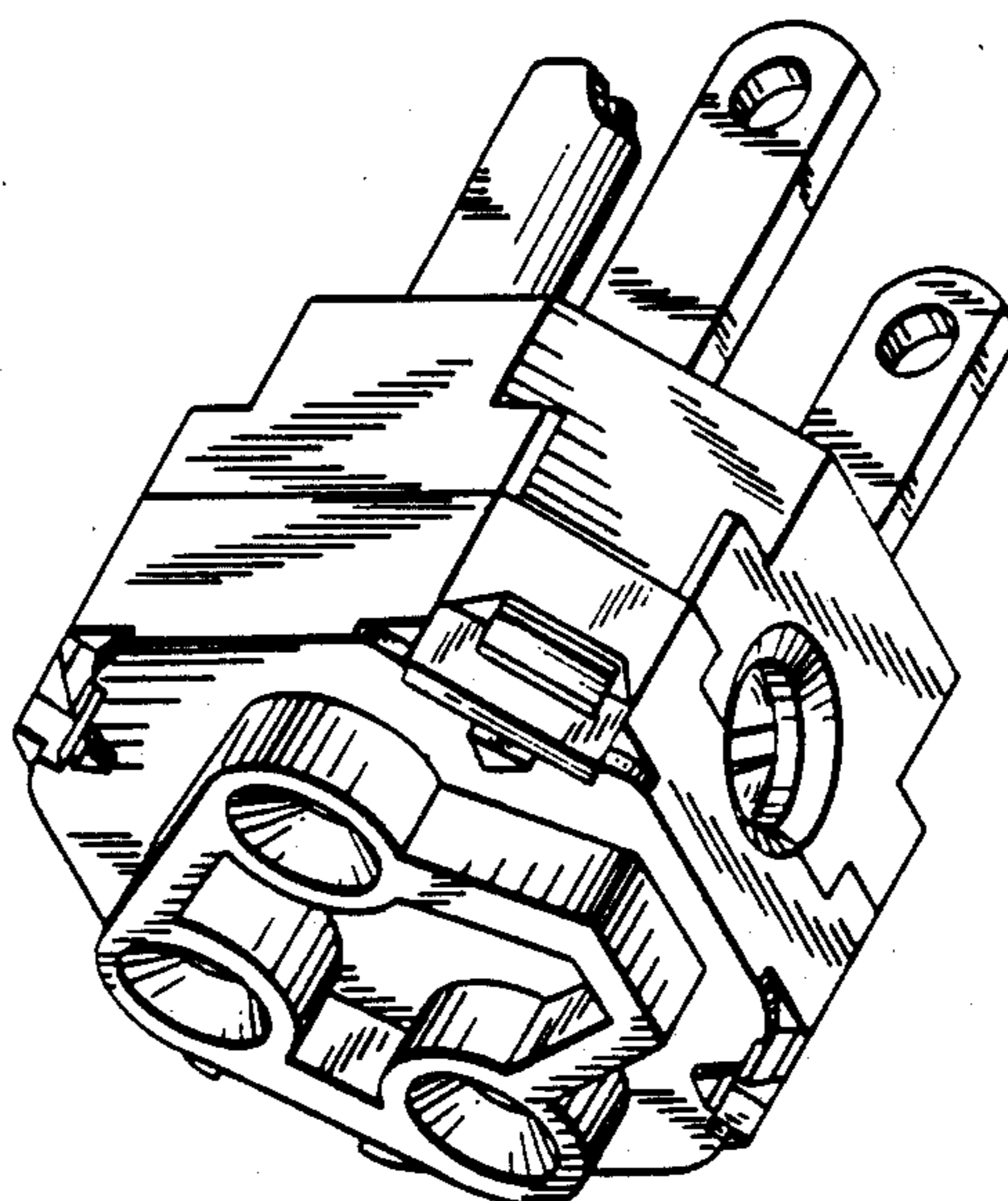


FIG. 5

