

[54] ADAPTOR FOR A WIRE CHANNEL

[75] Inventor: David W. Bramwell, Clwyd, Wales

[73] Assignee: EGA Limited, United Kingdom

[**] Term: 14 Years

[21] Appl. No.: 641,974

[22] Filed: Aug. 17, 1984

[30] Foreign Application Priority Data

Jun. 26, 1984 [GB] United Kingdom 1020643

[52] U.S. Cl. D13/24; D13/13

[58] Field of Search D13/13, 24-26, D13/28-31; 174/48, 68 R, 68 C, 98, 101; 138/156, 162, 163, 166, 168; 339/20, 21 R, 22 R, 23

[56] References Cited

U.S. PATENT DOCUMENTS

D. 264,072	4/1982	Jonsson	D13/24
3,018,463	1/1962	Cataldo	339/22 R
3,821,688	6/1974	Larsile	339/22 R
3,871,730	3/1975	Hesse	339/21 R
3,980,368	9/1976	Fremont	339/21 R
4,589,449	5/1986	Bramwell	174/101

Primary Examiner—Susan J. Lucas

Assistant Examiner—C. E. Heflin

Attorney, Agent, or Firm—Andrus, Scales, Starke & Sawall

[57] CLAIM

The ornamental design for an adaptor for a wire channel, as shown and described.

DESCRIPTION

FIG. 1 is a front elevational view of the adaptor for a wire channel showing my new design;

FIG. 2 is a side elevational view thereof;

FIG. 3 is a rear elevational view thereof;

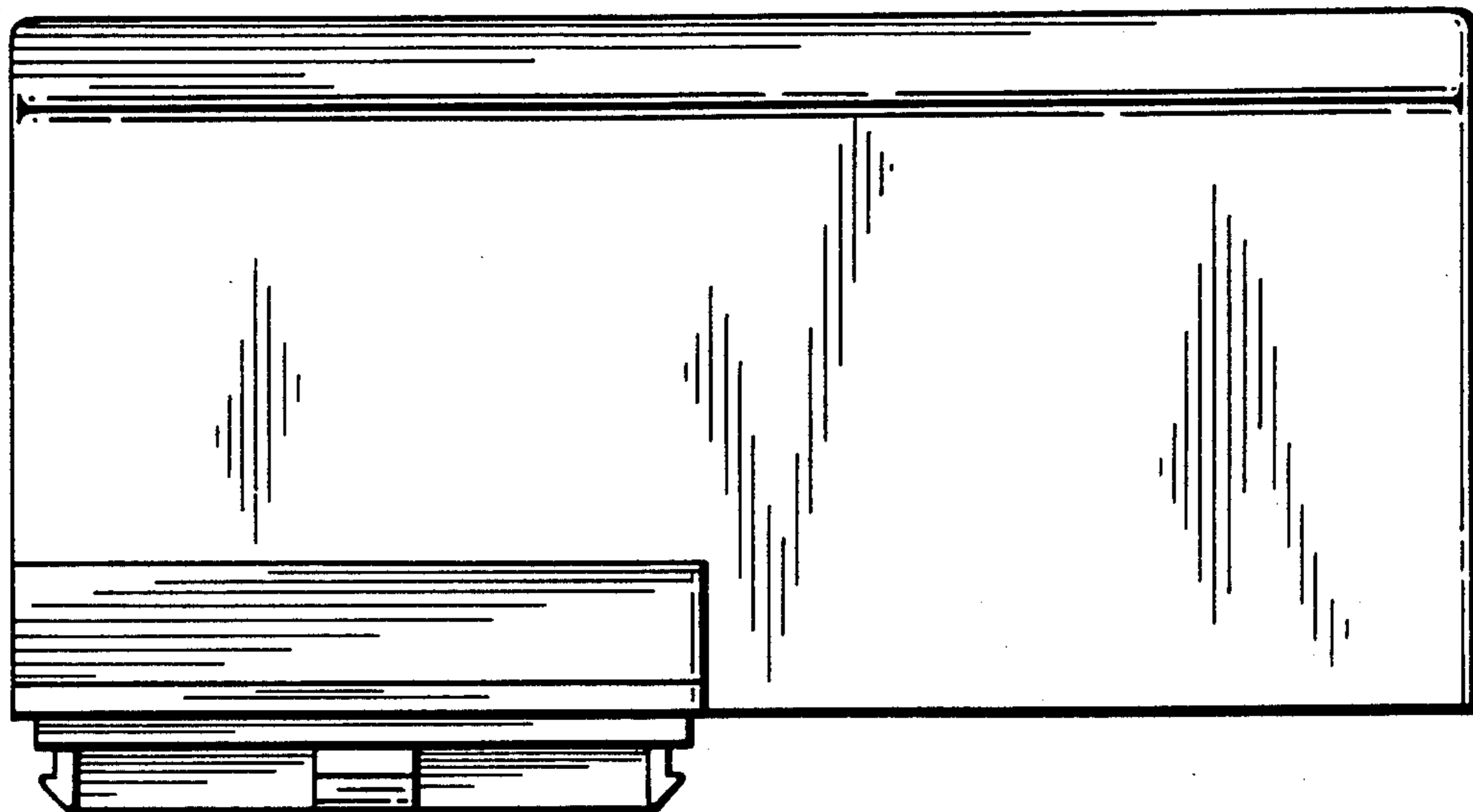
FIG. 4 is a sectional view thereof taken along line 4—4 of FIG. 1;

FIG. 5 is a sectional view thereof taken along line 5—5 of FIG. 1;

FIG. 6 is a top plan view thereof;

FIG. 7 is a bottom plan view thereof.

The adaptor can be fitted on the end of a length of cable trunking and a box for electrical components secured thereto. The box would have an aperture corresponding to the aperture formed in the adaptor and is clipped on to the adaptor by means of three lugs arranged around the aperture in the adaptor.



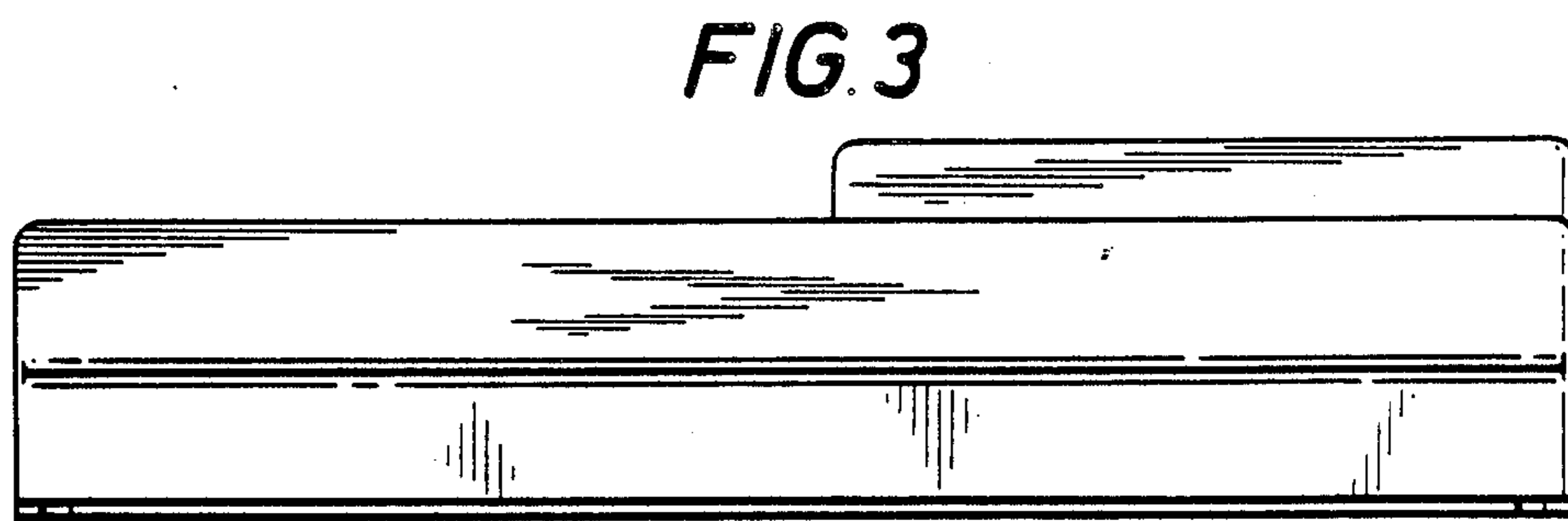
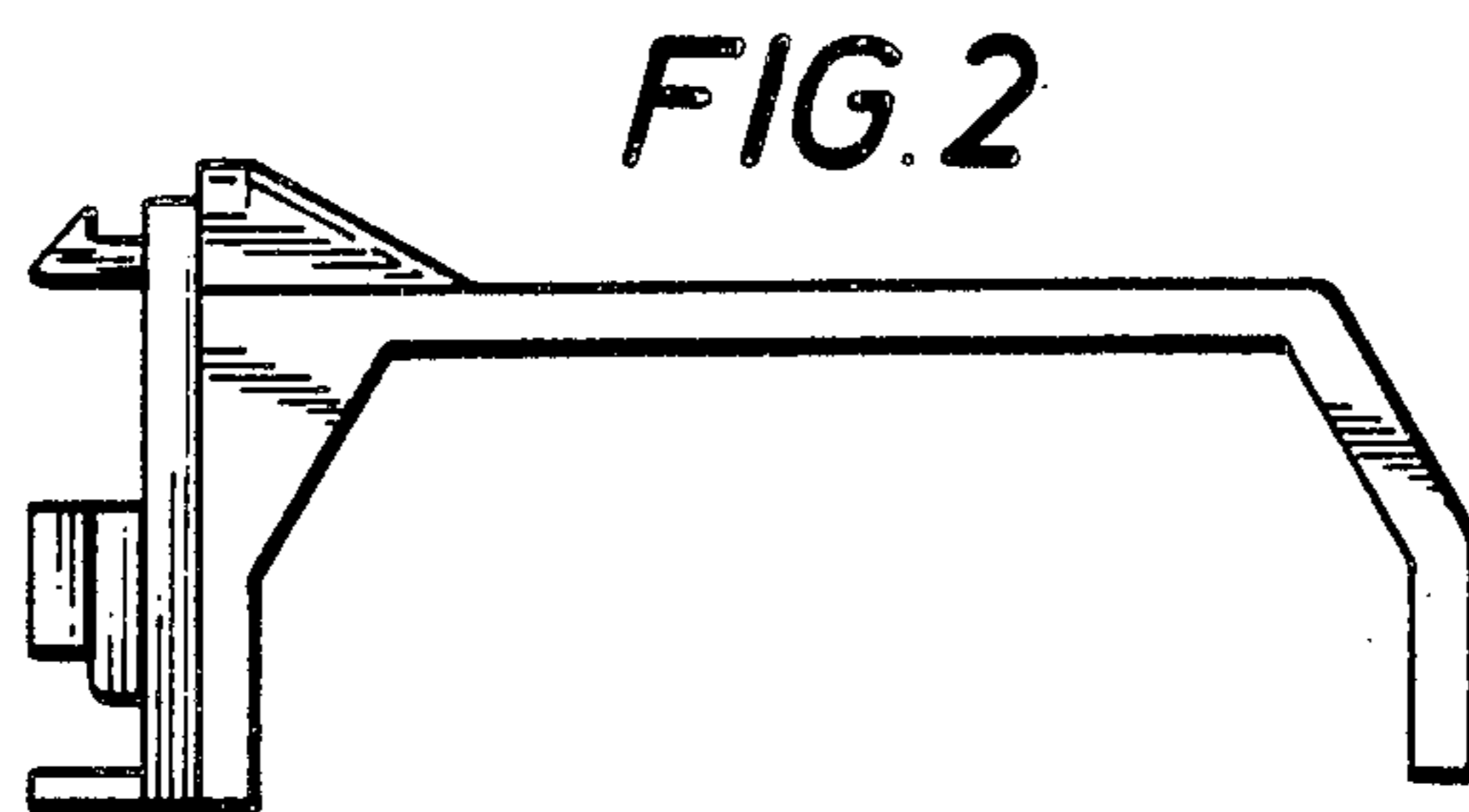
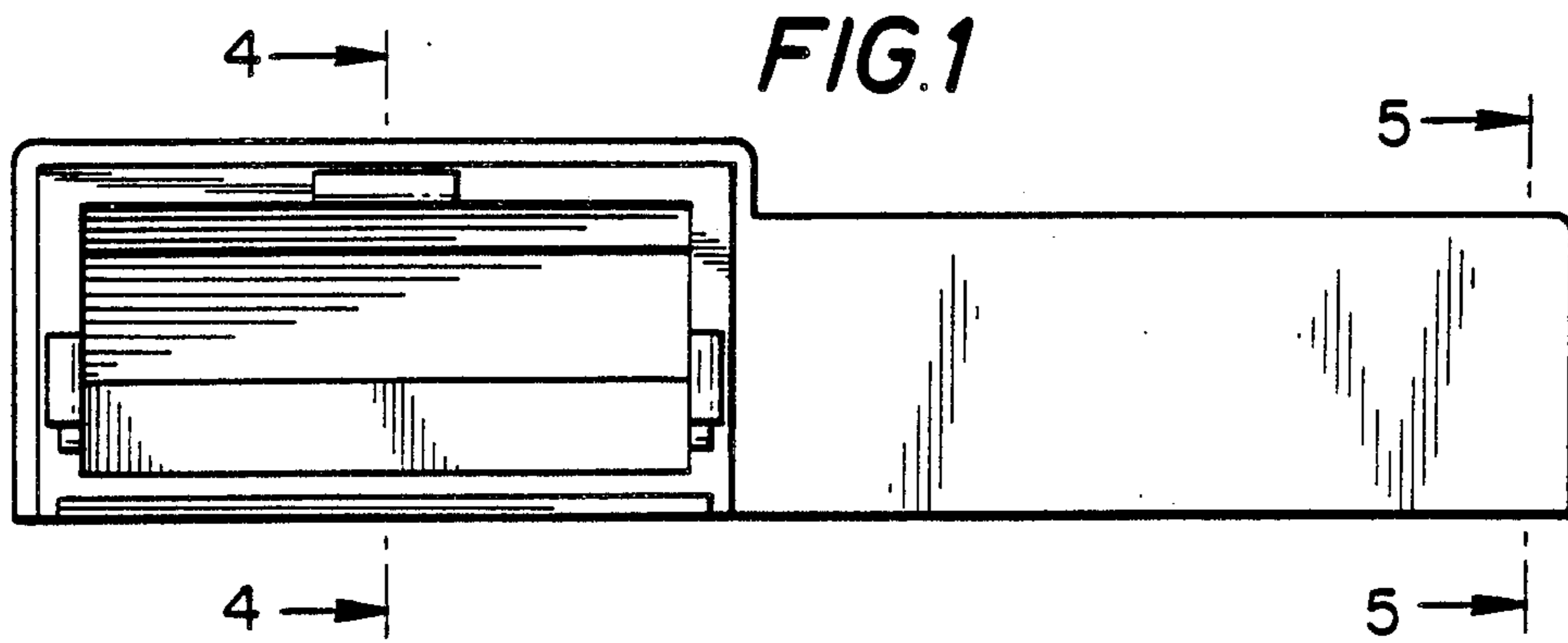


FIG. 4

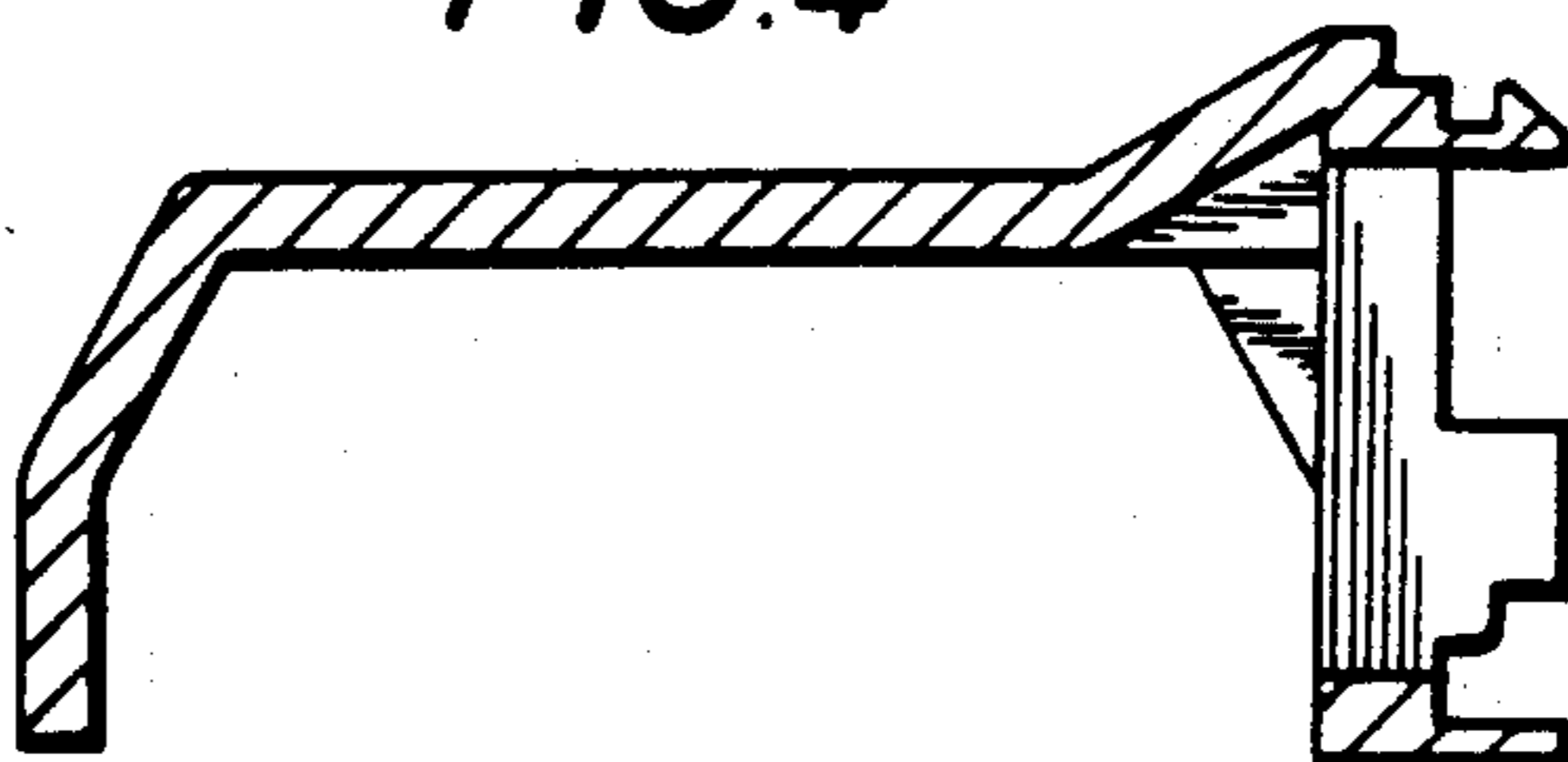


FIG. 5

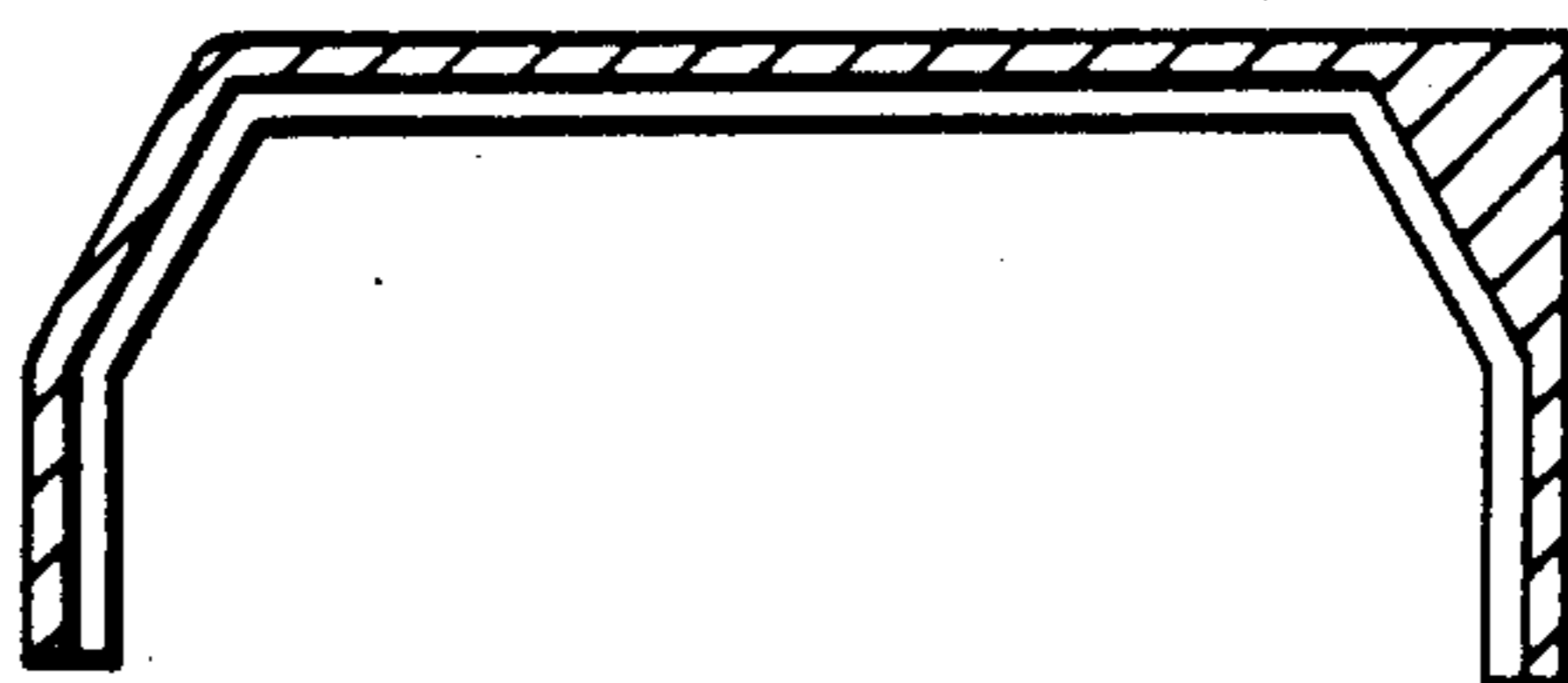


FIG. 6

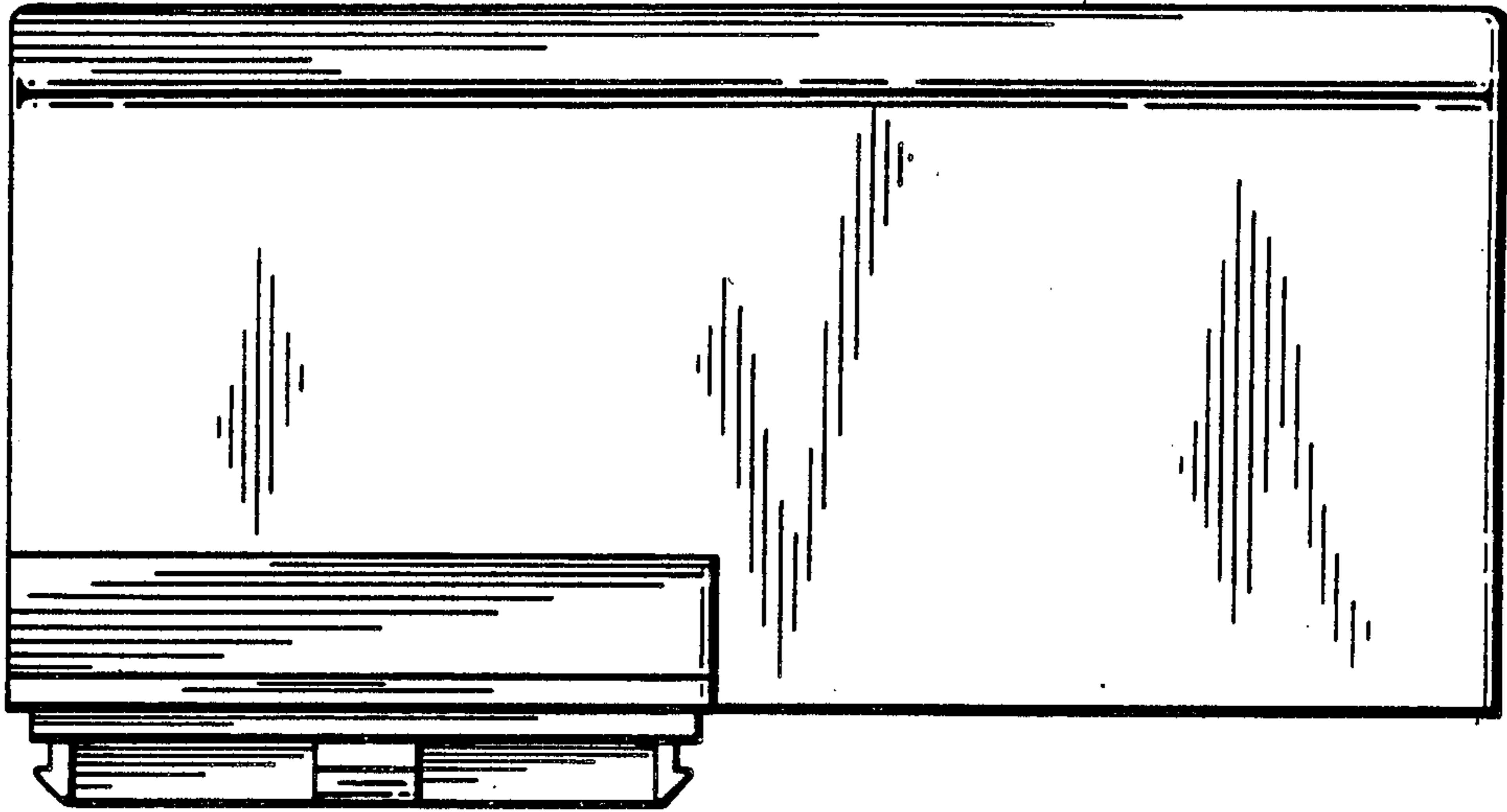


FIG. 7

