

[54] BOOT FOR AN ELECTRICAL CONNECTOR

[75] Inventors: Mark H. Waters, Harrisburg;
Lahman D. Lambert, II,
Mechanicsburg, both of Pa.

[73] Assignee: AMP Incorporated, Harrisburg, Pa.

[**] Term: 14 Years

[21] Appl. No.: 703,019

[22] Filed: Feb. 19, 1985

[52] U.S. Cl. D13/24; D13/28

[58] Field of Search D13/11-13,
D13/20, 23-31, 99; 339/60 R, 60 C, 60 M, 213
R, 213 T, 36, 44 R, 44 M, 45 R, 45 M, 47 P, 47
R, 47 C, 48, 49 R, 49 B; 174/138 F, 74 A

[56] References Cited

U.S. PATENT DOCUMENTS

D. 186,887 12/1959 Yarick D13/26
D. 273,104 3/1984 Cousins D13/28
3,810,070 5/1974 Ludwig 339/36

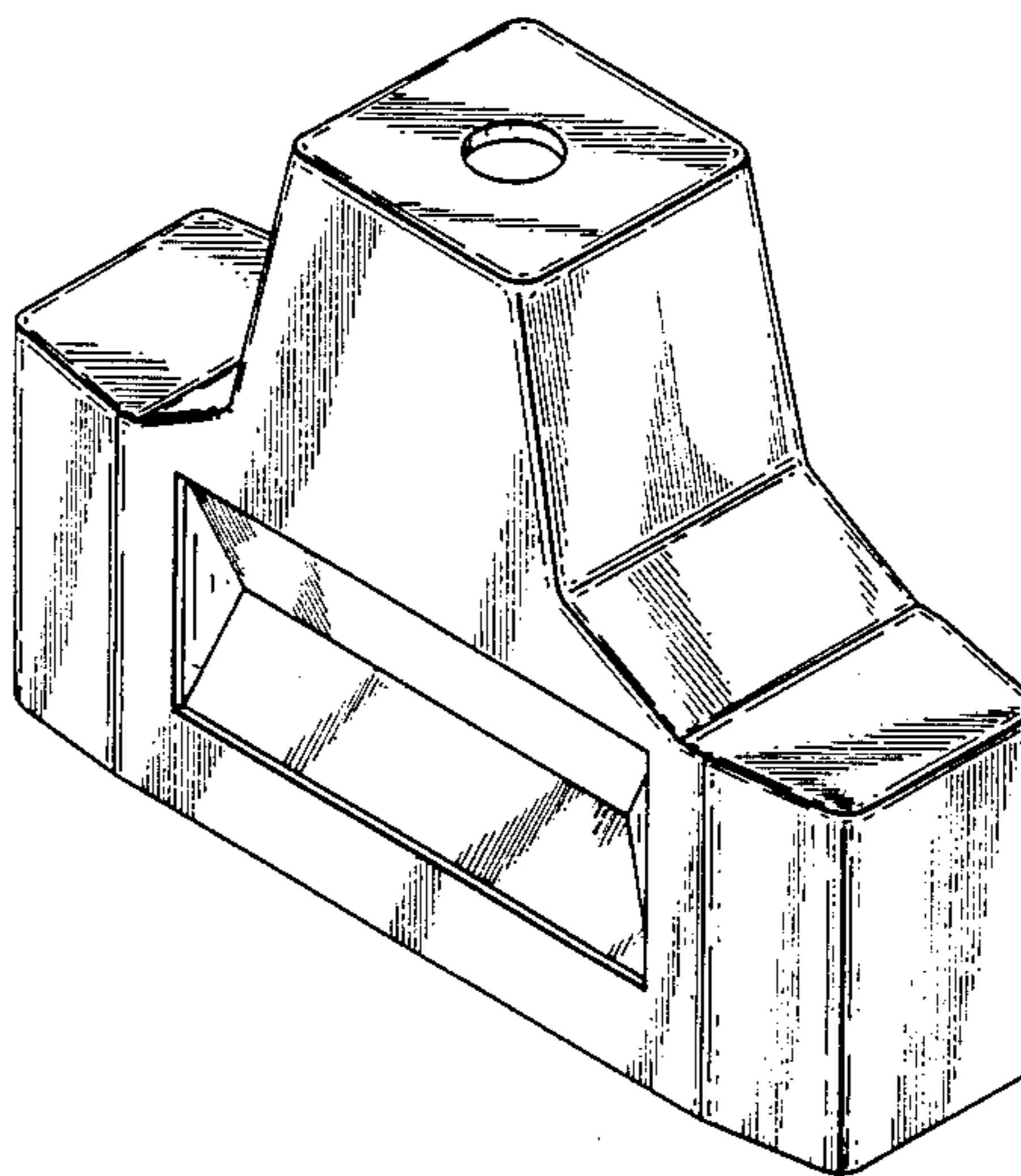
Primary Examiner—Wallace R. Burke
Assistant Examiner—C. E. Heflin
Attorney, Agent, or Firm—F. Brice Faller; David L.
Smith

[57] CLAIM

The ornamental design for a boot for an electrical connector, as shown and described.

DESCRIPTION

FIG. 1 is a front, top and one side perspective view of the boot for an electrical connector showing our new design;
FIG. 2 is a rear elevational view thereof;
FIG. 3 is a bottom plan view thereof; and
FIG. 4 is an opposite side elevational view thereof.



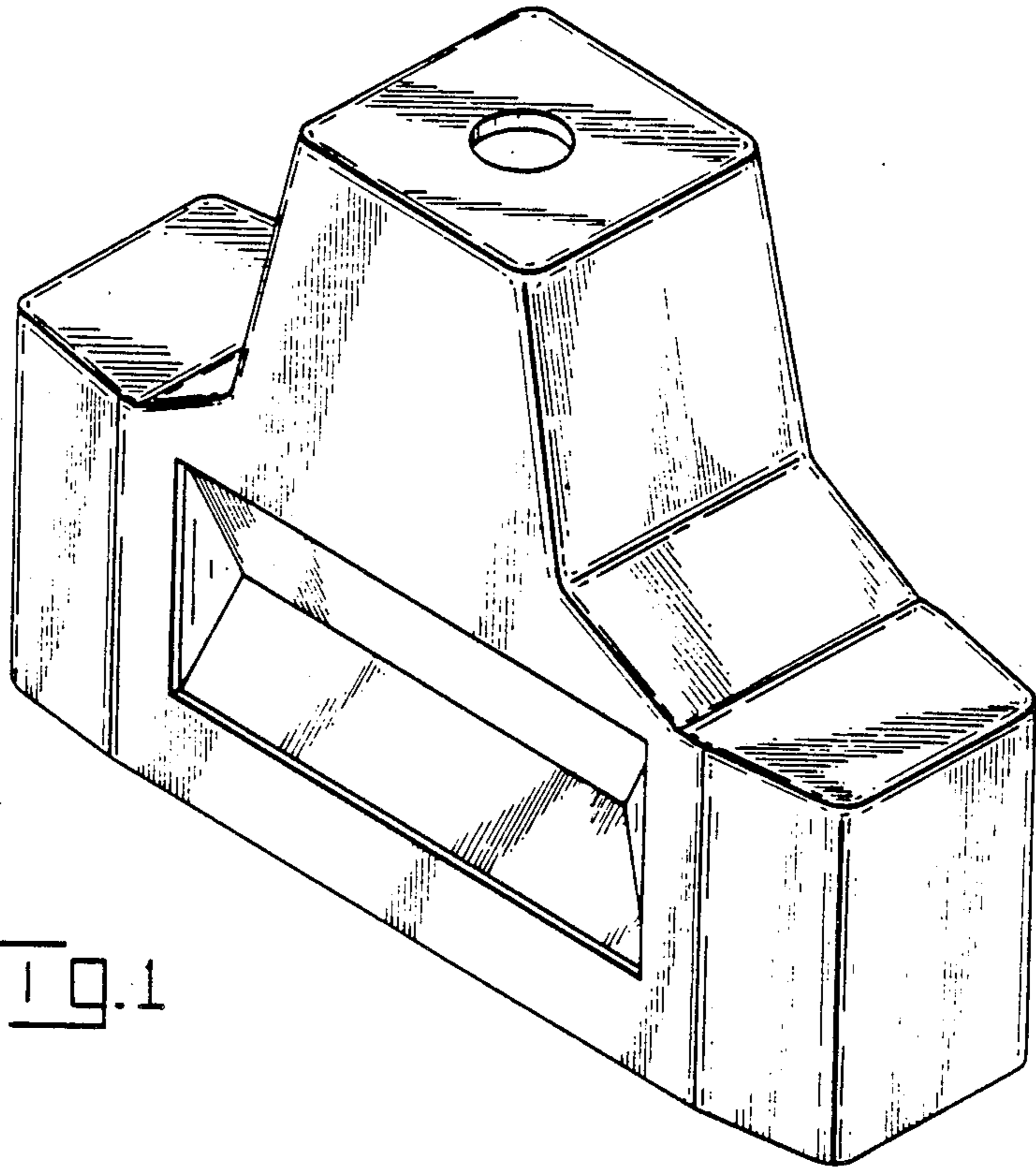


FIG. 1

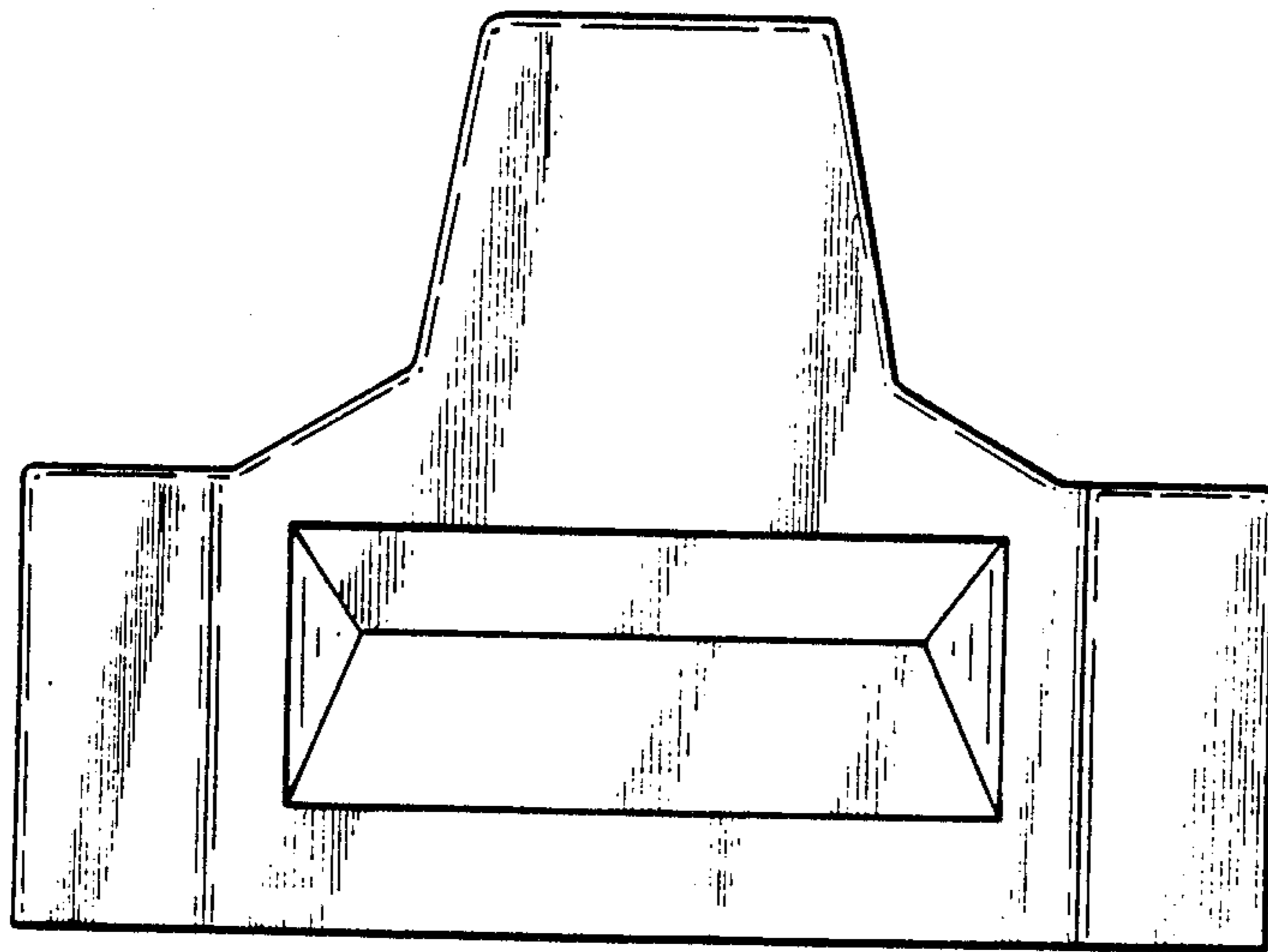


FIG. 2

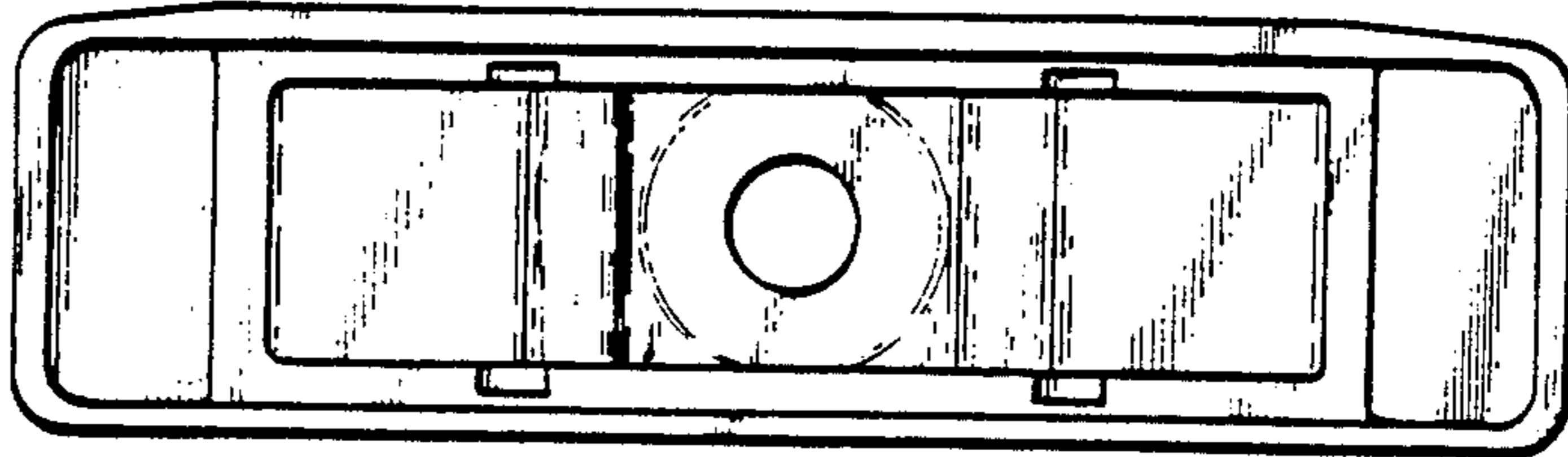


FIG. 3

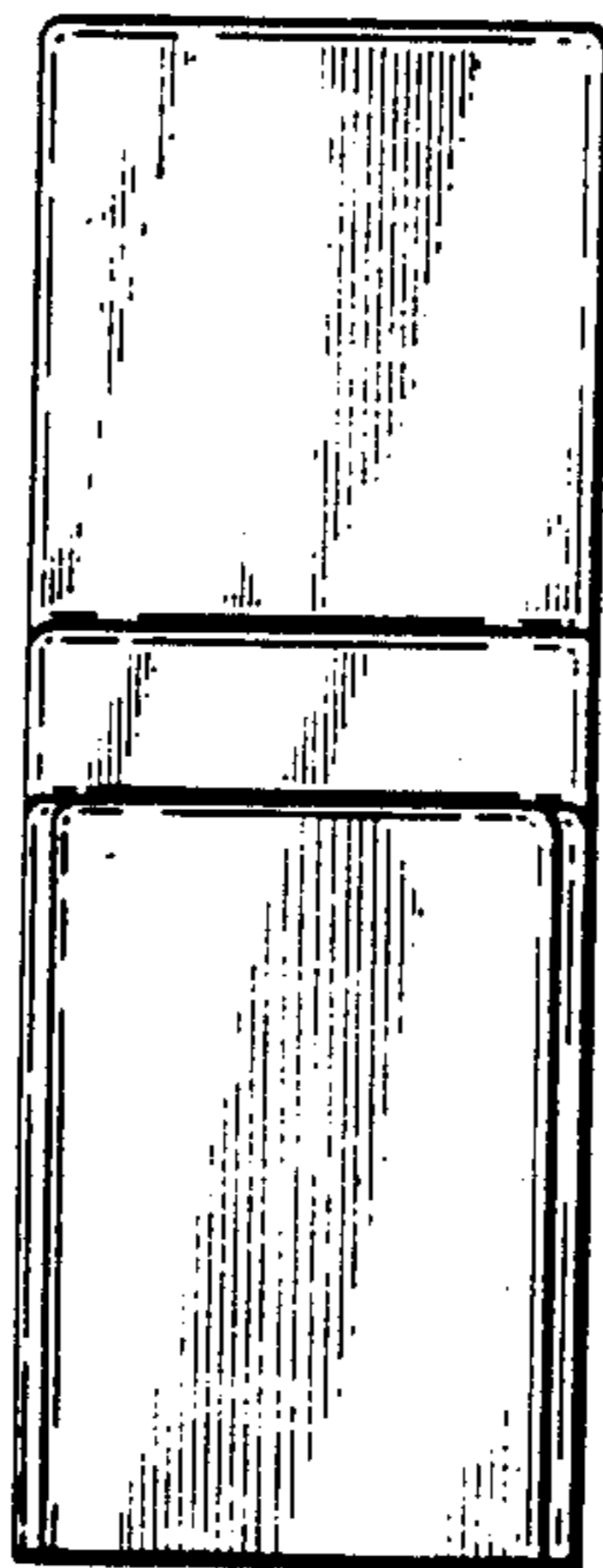


FIG. 4