

[54] WHEEL COVER

[75] Inventors: William F. Boyle, Sterling Heights; Maurice P. Chandler, Utica, both of Mich.

[73] Assignee: General Motors Corporation, Detroit, Mich.

[**] Term: 14 Years

[21] Appl. No.: 703,394

[22] Filed: Feb. 20, 1985

[52] U.S. Cl. D12/211

[58] Field of Search D12/209, 211; 301/37 R, 301/63 R, 64 R, 64 SD, 65

[56] References Cited

U.S. PATENT DOCUMENTS

D. 272,432 1/1984 Hedlund D12/211

OTHER PUBLICATIONS

Road & Track, 2/84, p. 57, Wheel of FX-1 Car, top of page.
Road & Track, 11/84, p. 177, MSW Type 5 Wheel, third row up from bottom, center of page.

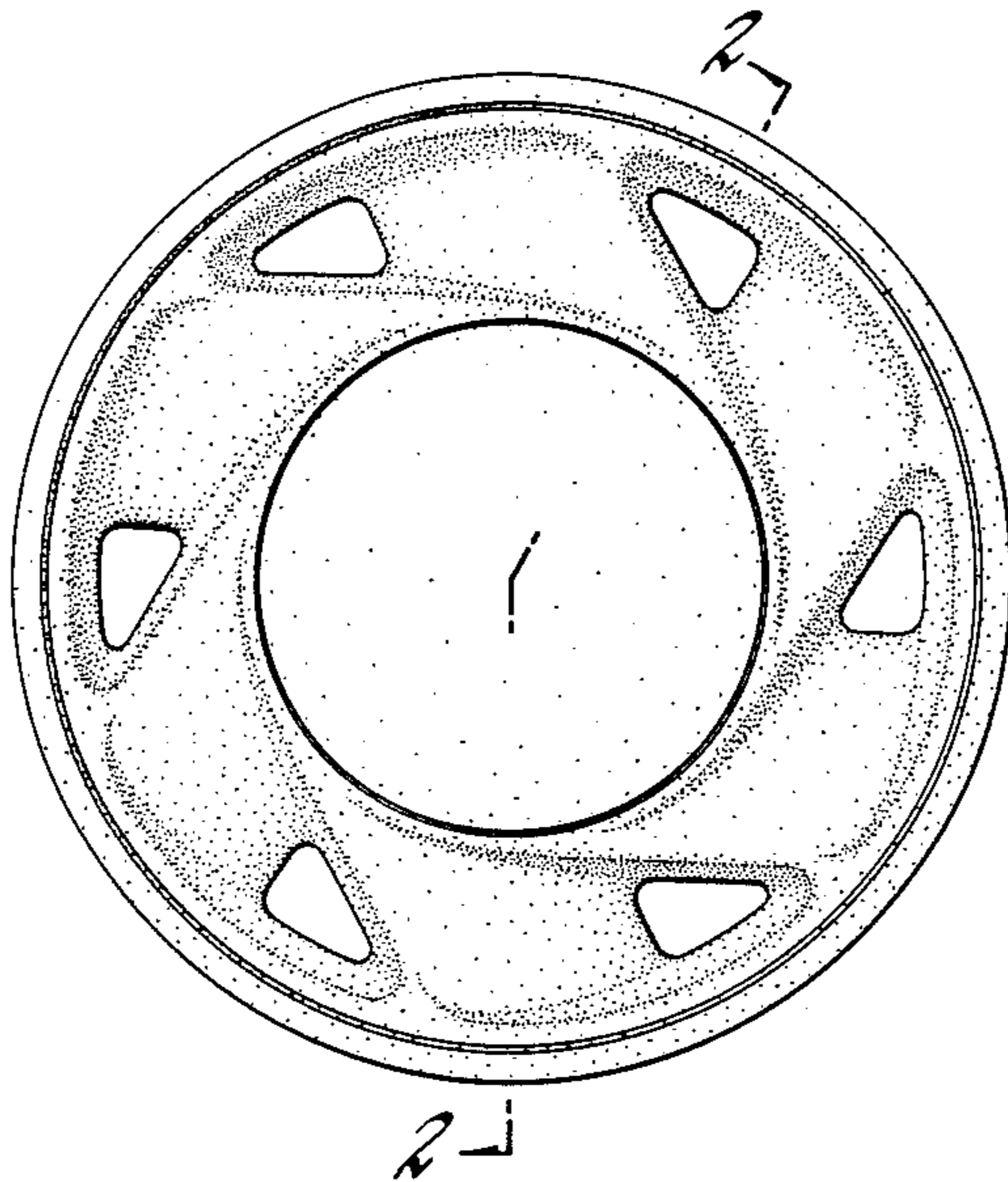
Primary Examiner—James M. Gandy
Attorney, Agent, or Firm—Herbert Furman

[57] CLAIM

The ornamental design for a wheel cover, as shown and described.

DESCRIPTION

FIG. 1 is an elevational view of a wheel cover showing our new design, and
FIG. 2 is a sectional view taken generally along the plane indicated by line 2—2 of FIG. 1.



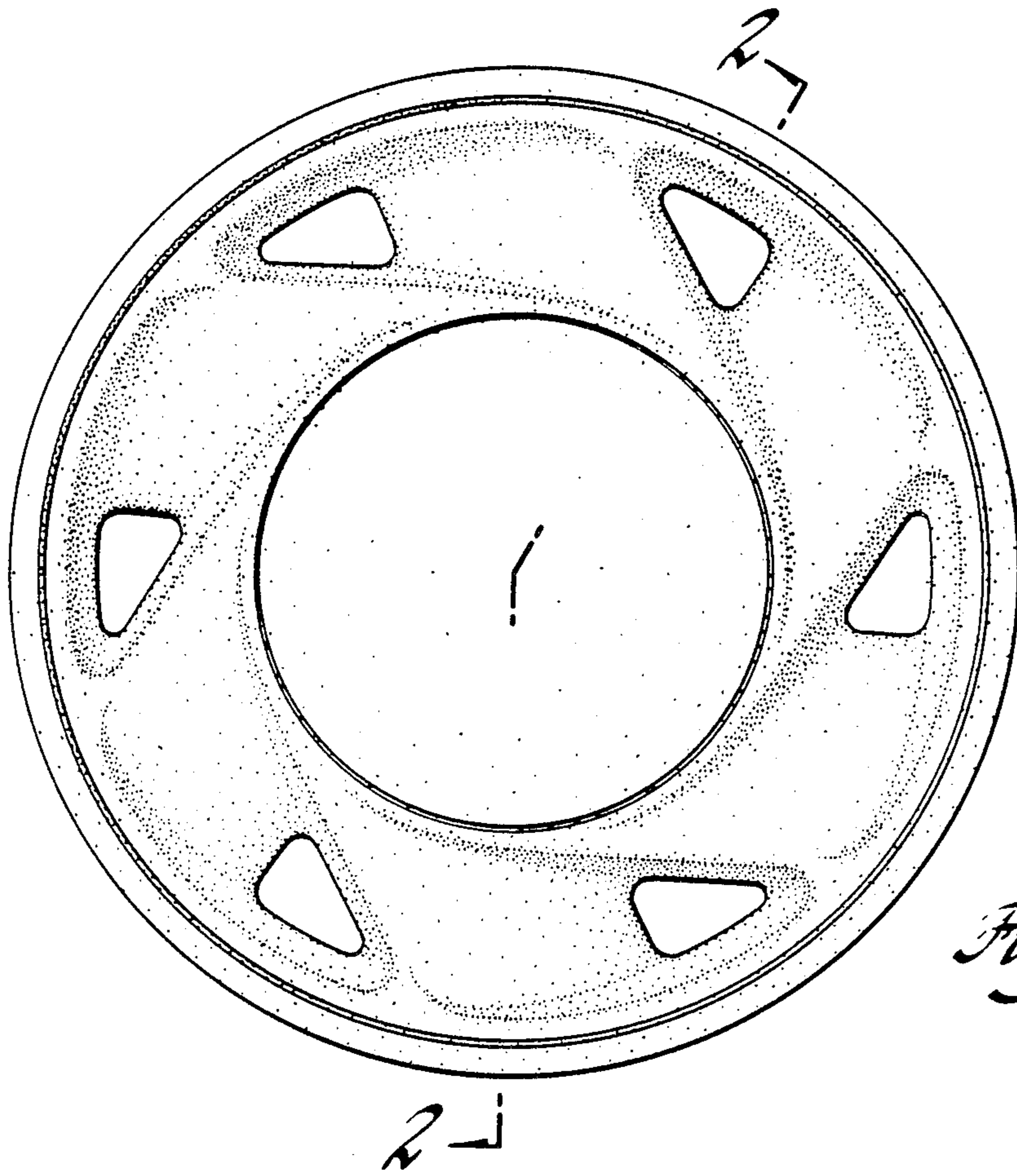


Fig. 1

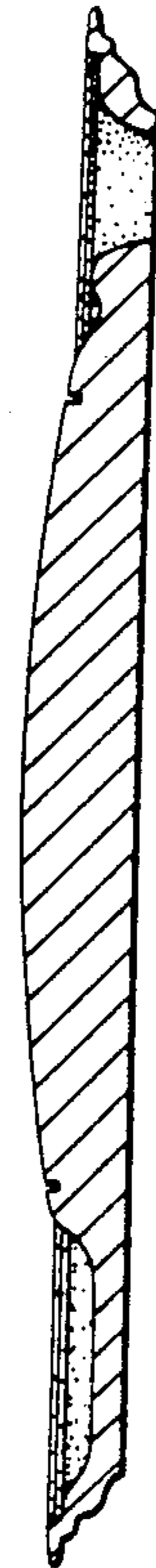


Fig. 2