

[54] BRACKET FOR SHAPING CURTAINS AND SIMILAR ARTICLES

[75] Inventor: Lyman N. Fairbanks, Arlington, Va.

[73] Assignee: Custom Shade & Awning Corp., Alexandria, Va.

[\*\*] Term: 14 Years

[21] Appl. No.: 702,301

[22] Filed: Feb. 15, 1985

[52] U.S. Cl. .... D8/369; 160/348; D8/373

[58] Field of Search ..... D14/368, 369, 370, 371, D14/372; 160/300, 84, 348, 349, 330; D20/32; D6/580, 578, 579; 248/251, 298

[56] References Cited

U.S. PATENT DOCUMENTS

D. 164,567	9/1951	Gosselin	.....	D20/32
1,944,343	1/1934	Herman	.....	160/348 X
2,409,425	10/1946	Falkenberg	.....	160/84
2,435,183	1/1948	Pezzella	.....	160/348
2,524,426	12/1950	Comerford et al.	.....	160/348
2,588,203	3/1952	Cameron	.....	160/348
2,975,832	3/1961	Tordorf	.....	160/330
3,090,533	5/1963	Claeys et al.	.....	160/348 X
3,214,788	11/1965	Daultney	.....	160/348
3,417,807	12/1968	Falkenberg	.....	160/348
3,545,523	12/1970	Falkenberg	.....	160/348

3,996,987	12/1976	Rodriguez	.....	160/330 X
4,284,258	8/1981	Kleiman	.....	160/330 X

FOREIGN PATENT DOCUMENTS

2732242	1/1979	Fed. Rep. of Germany	.....	160/348
1261642	2/1968	Fed. Rep. of Germany	.....	160/348

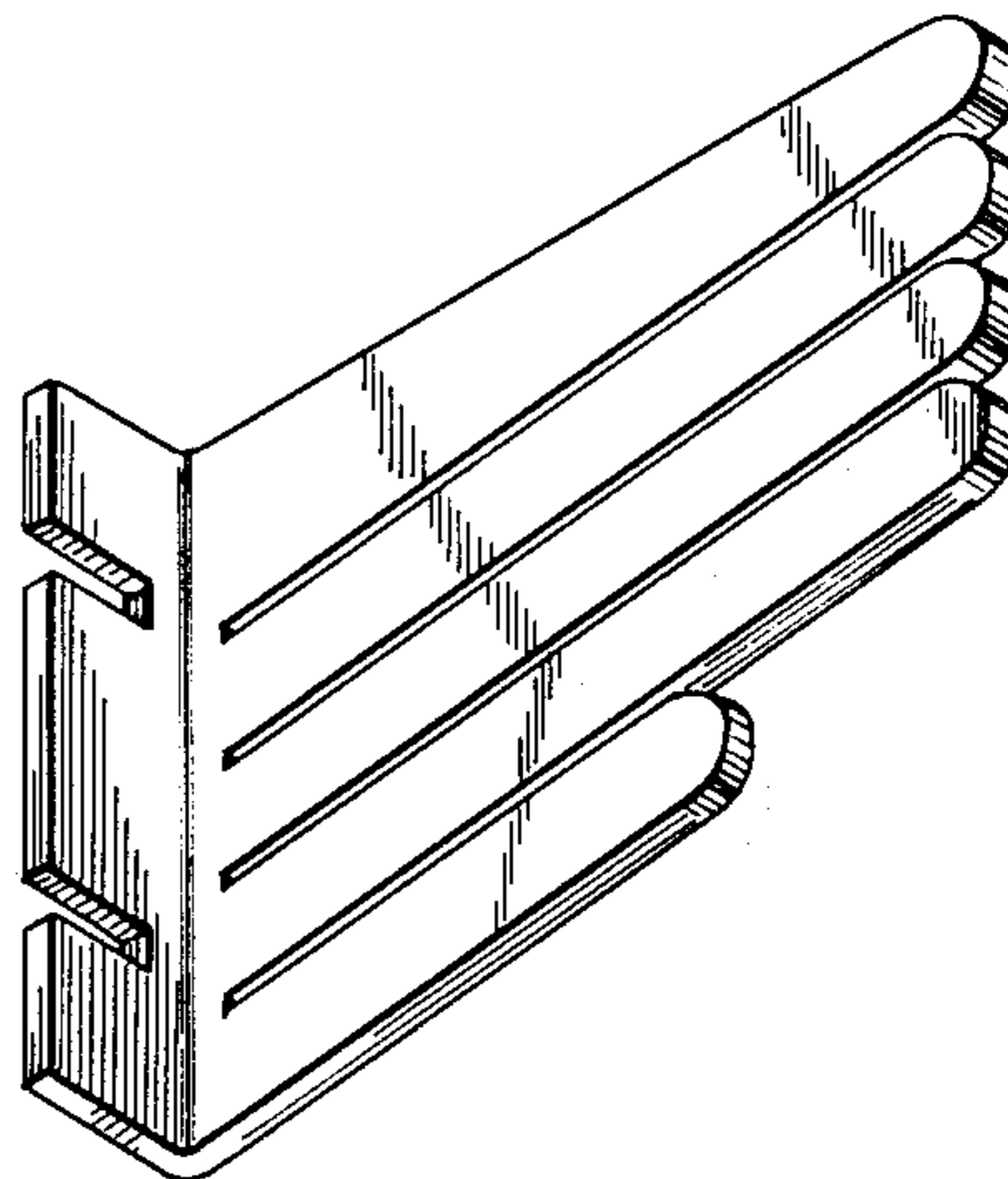
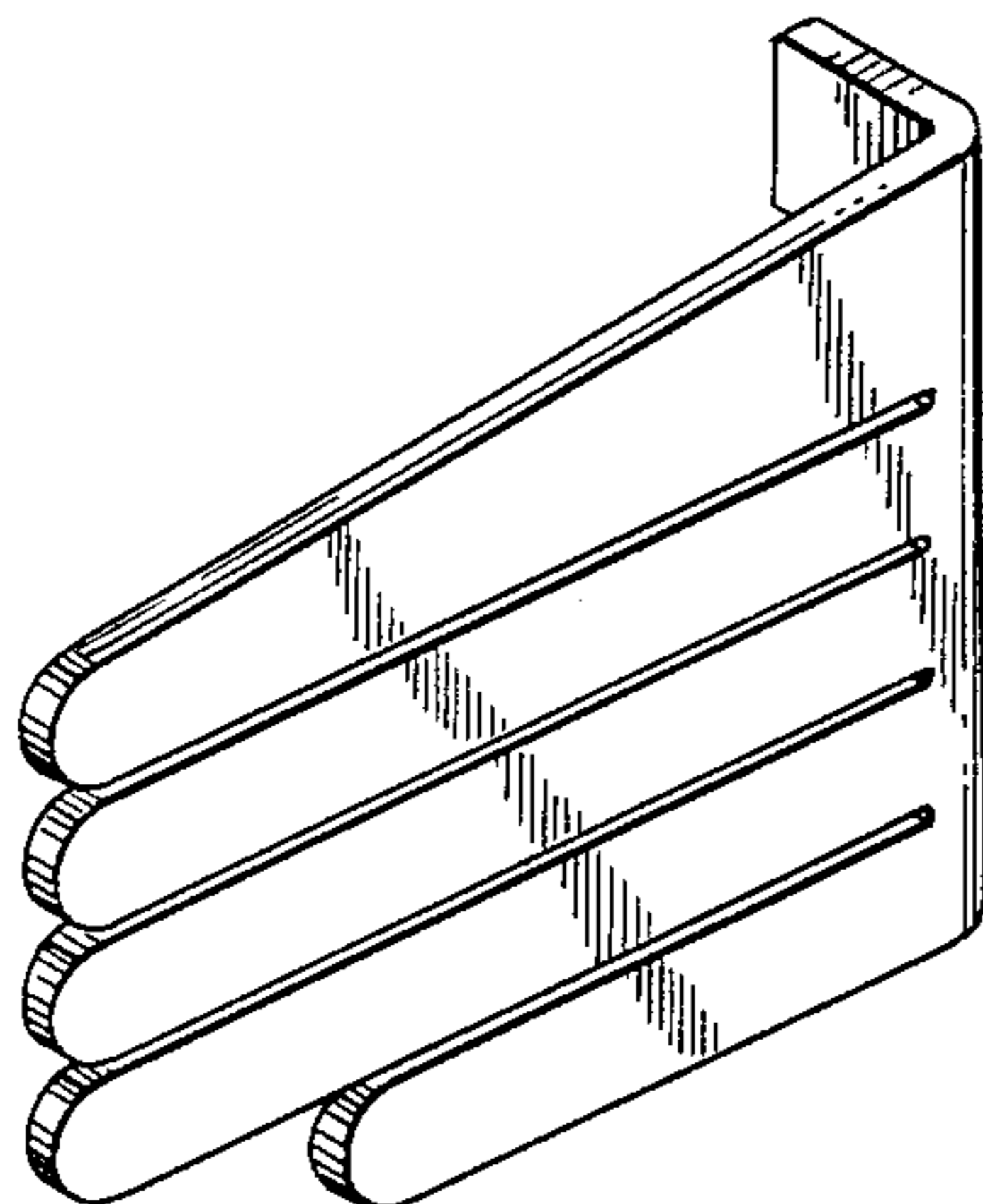
Primary Examiner—Wallace R. Burke  
Assistant Examiner—Horace B. Fay  
Attorney, Agent, or Firm—Mason, Fenwick & Lawrence

[57] CLAIM

The ornamental design for a bracket for shaping curtains or similar articles, substantially as shown and described.

DESCRIPTION

FIG. 1 is a front, right side and top perspective view of a bracket for shaping curtains and similar articles showing my new design;  
FIG. 2 is a rear, left side and bottom perspective view thereof;  
FIG. 3 is a top plan view thereof;  
FIGS. 4 and 5 are respectively rear and front elevational views thereof;  
FIG. 6 is a right side elevational view thereof;  
FIG. 7 is a bottom plan view thereof; and  
FIG. 8 is a side elevational view thereof, with the bracket inverted and viewed from the side opposite that shown in FIG. 6.



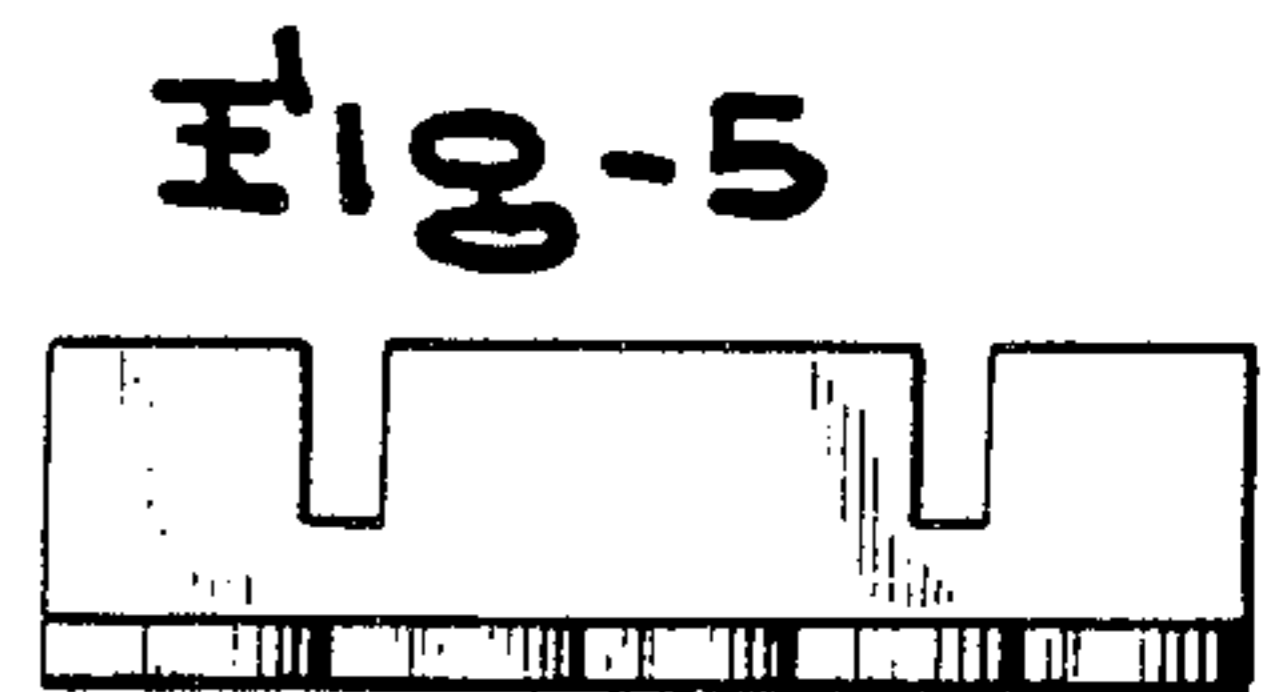
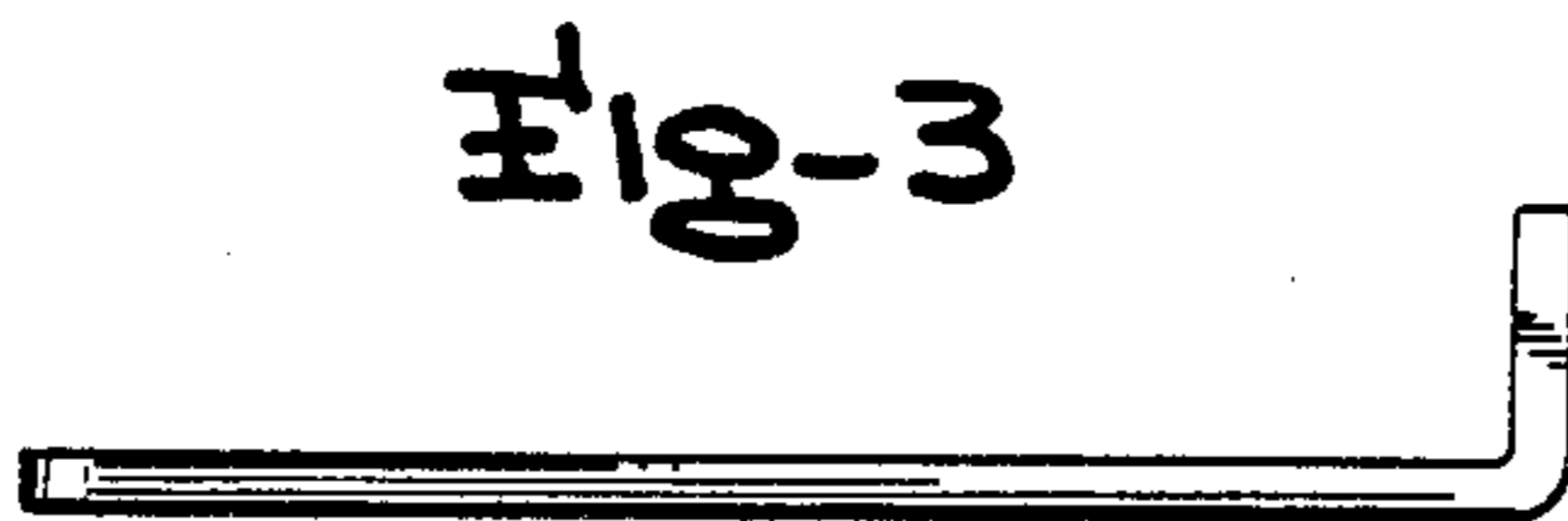
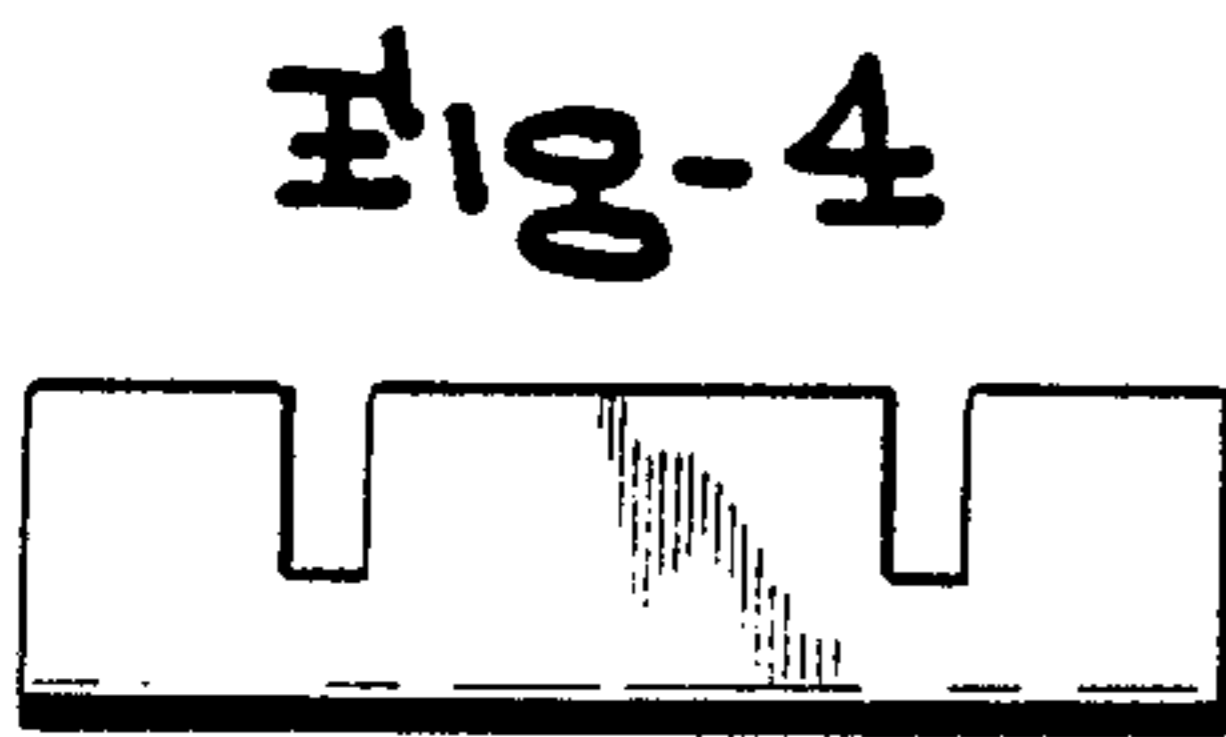
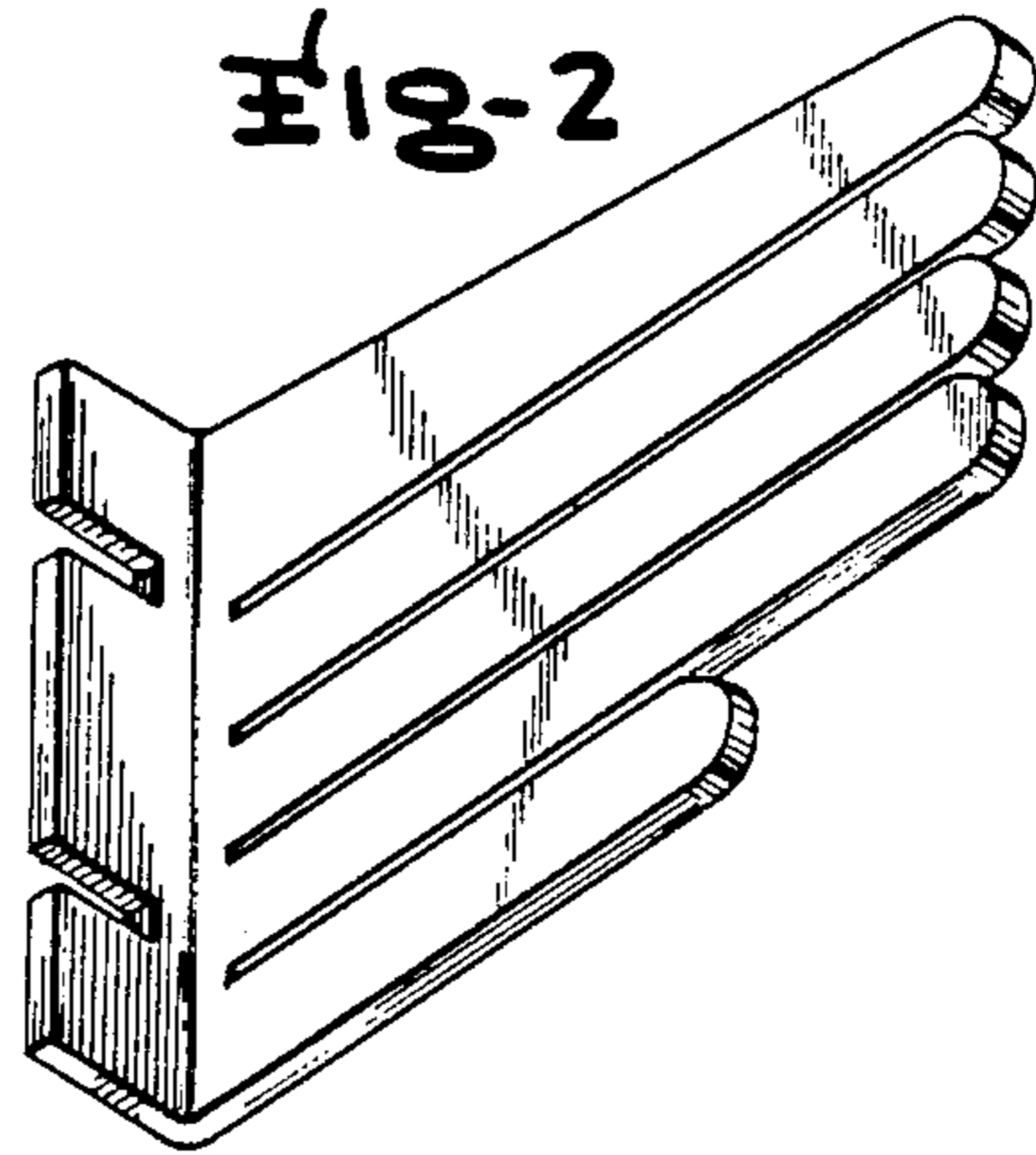
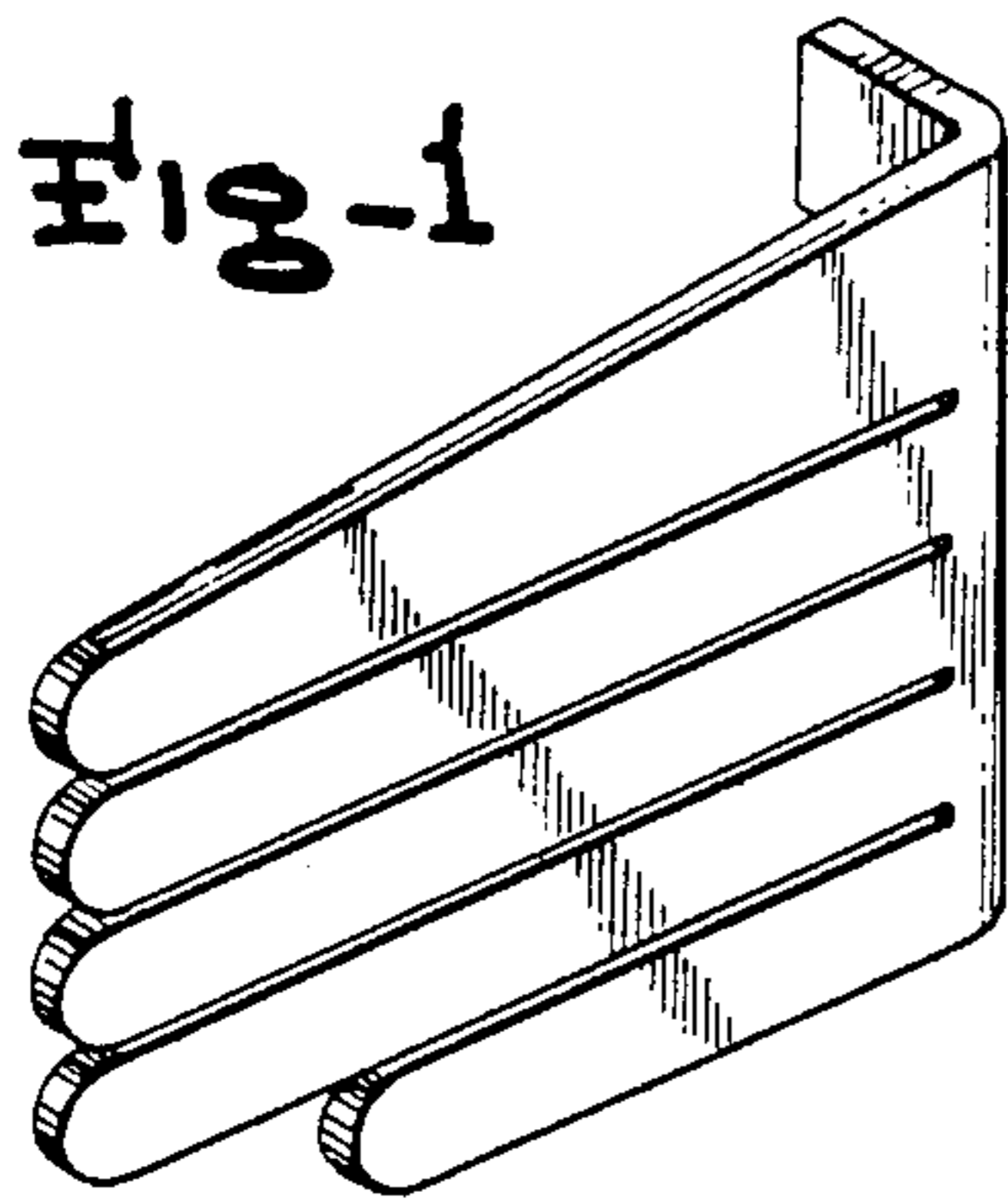


Fig-6

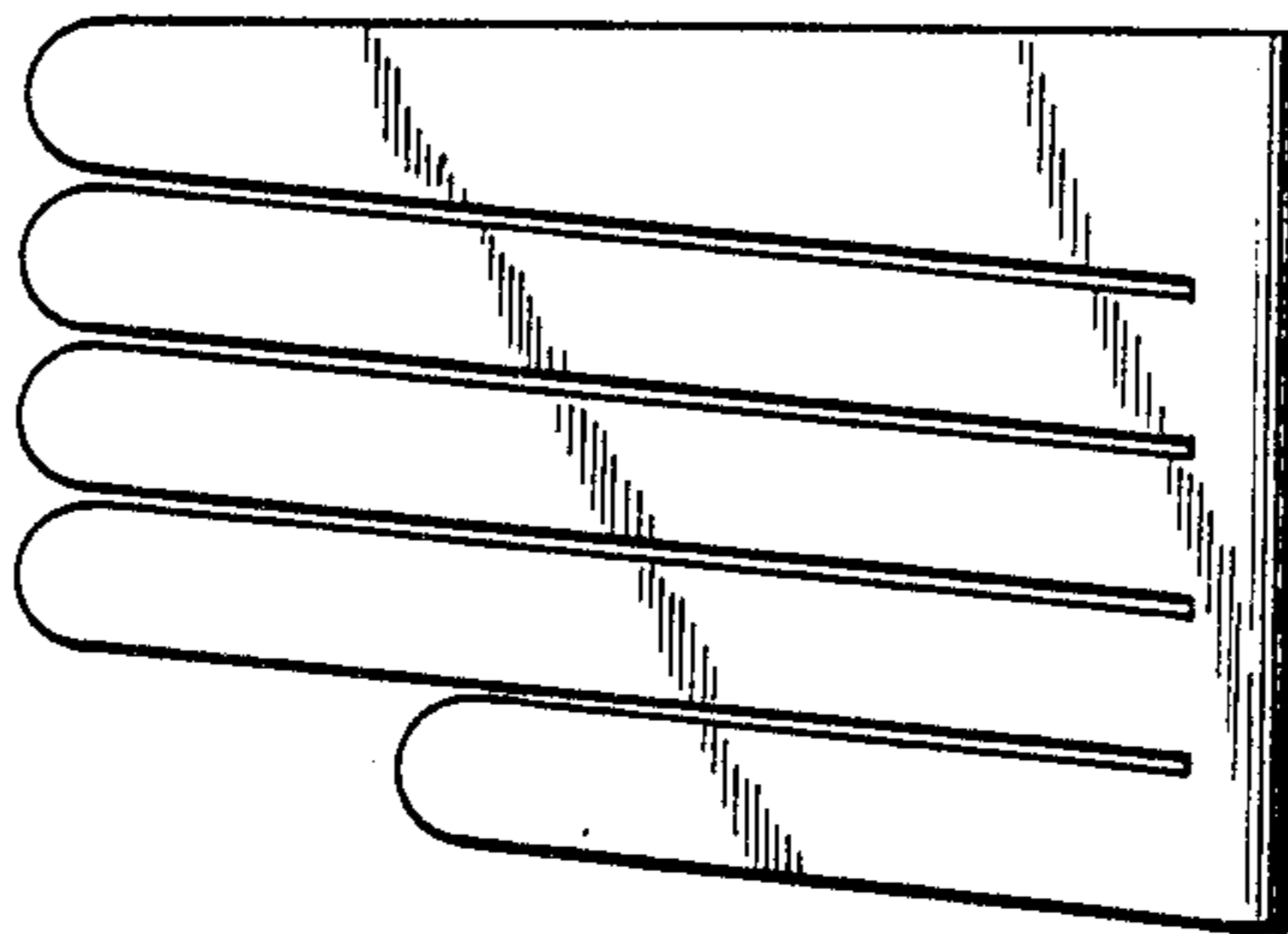


Fig-7

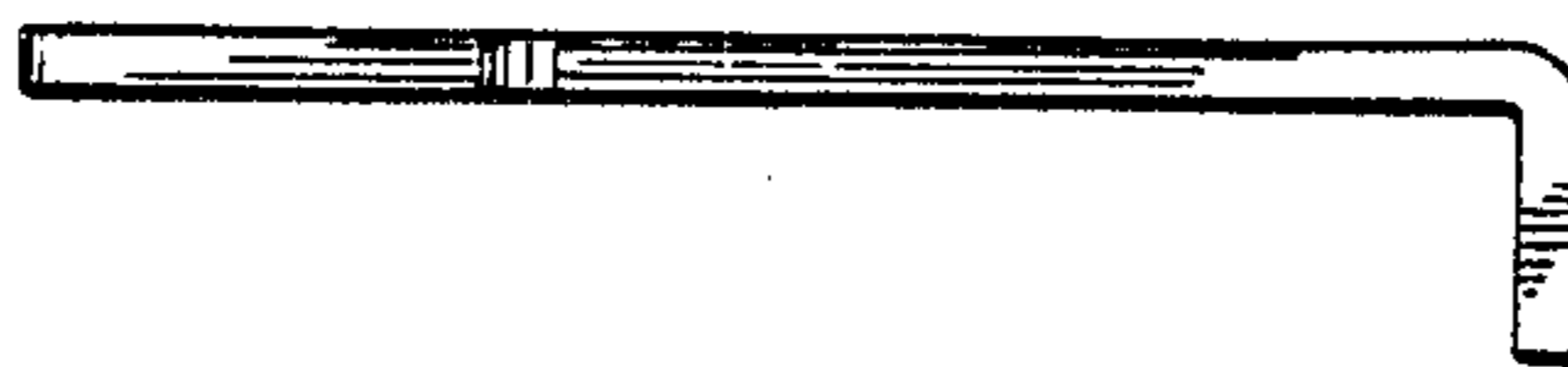


Fig-8

