

[54] LATCHING DEVICE FOR ROLLING GATES

[56] References Cited

U.S. PATENT DOCUMENTS

[76] Inventor: Vincent Greco, 195 Huntington Ave.,
Bronx, N.Y. 10465

D. 281,947 12/1985 Greco D8/331
4,314,719 2/1982 Hawkins 292/189 X

[**] Term: 14 Years

Primary Examiner—Wallace R. Burke
Assistant Examiner—Brian N. Vinson
Attorney, Agent, or Firm—Goodman & Teitelbaum

[21] Appl. No.: 793,957

[57] CLAIM

The ornamental design for a latching device for rolling gates, substantially as shown and described.

[22] Filed: Nov. 1, 1985

DESCRIPTION

FIG. 1 is a front and left side perspective view of a latching device for rolling gates in assembled condition showing my new design;

FIG. 2 is a front, left side perspective view in separated condition;

FIG. 3 is a rear, right side perspective view of FIG. 2; and

FIG. 4 is a bottom plan view of FIG. 2.

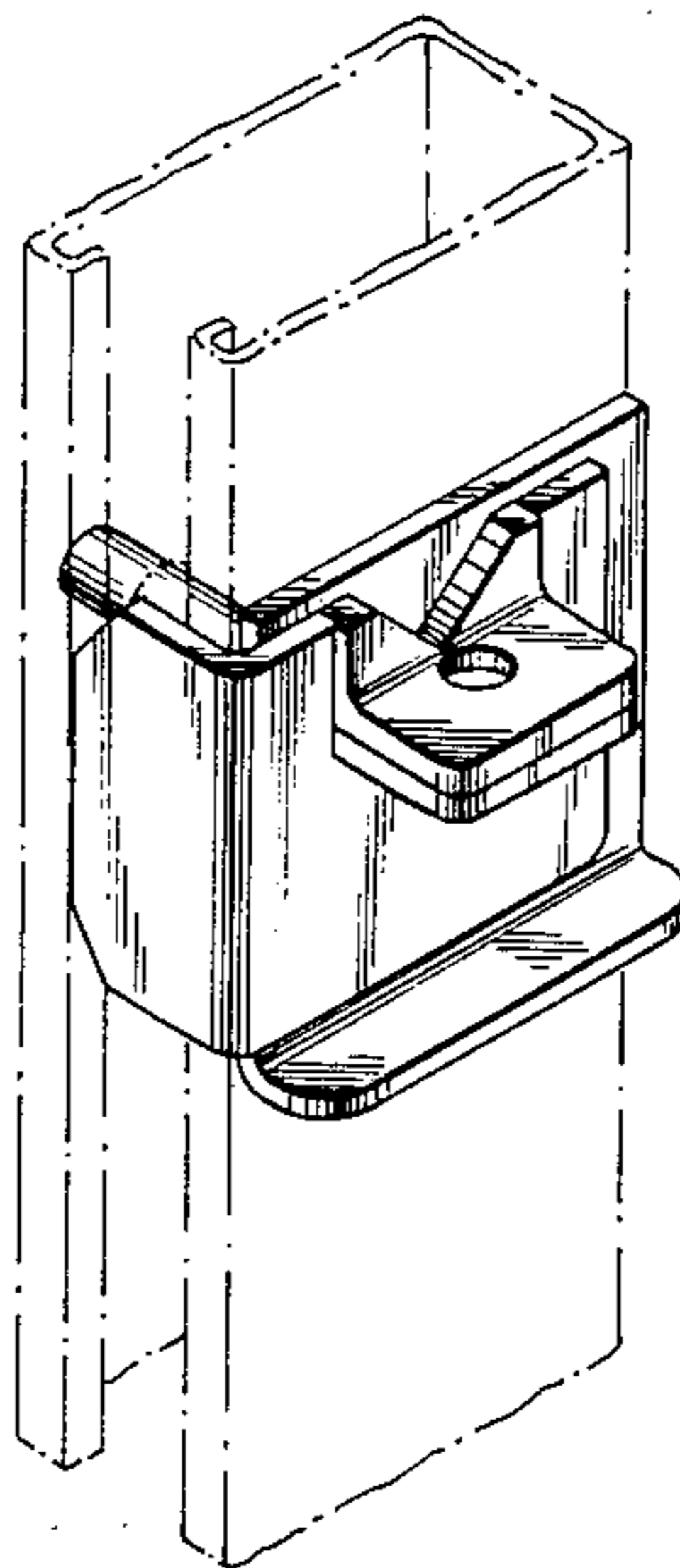
The broken line representation of a rolling gate side rail in FIG. 1 is for illustrative purposes only.

Related U.S. Application Data

[62] Division of Ser. No. 495,123, May 16, 1983, Pat. No. Des. 283,672.

[52] U.S. Cl. D8/331

[58] Field of Search D8/330-346;
70/55-56, 77, 91, 95-99, 158; 292/137, 145,
150, DIG. 46



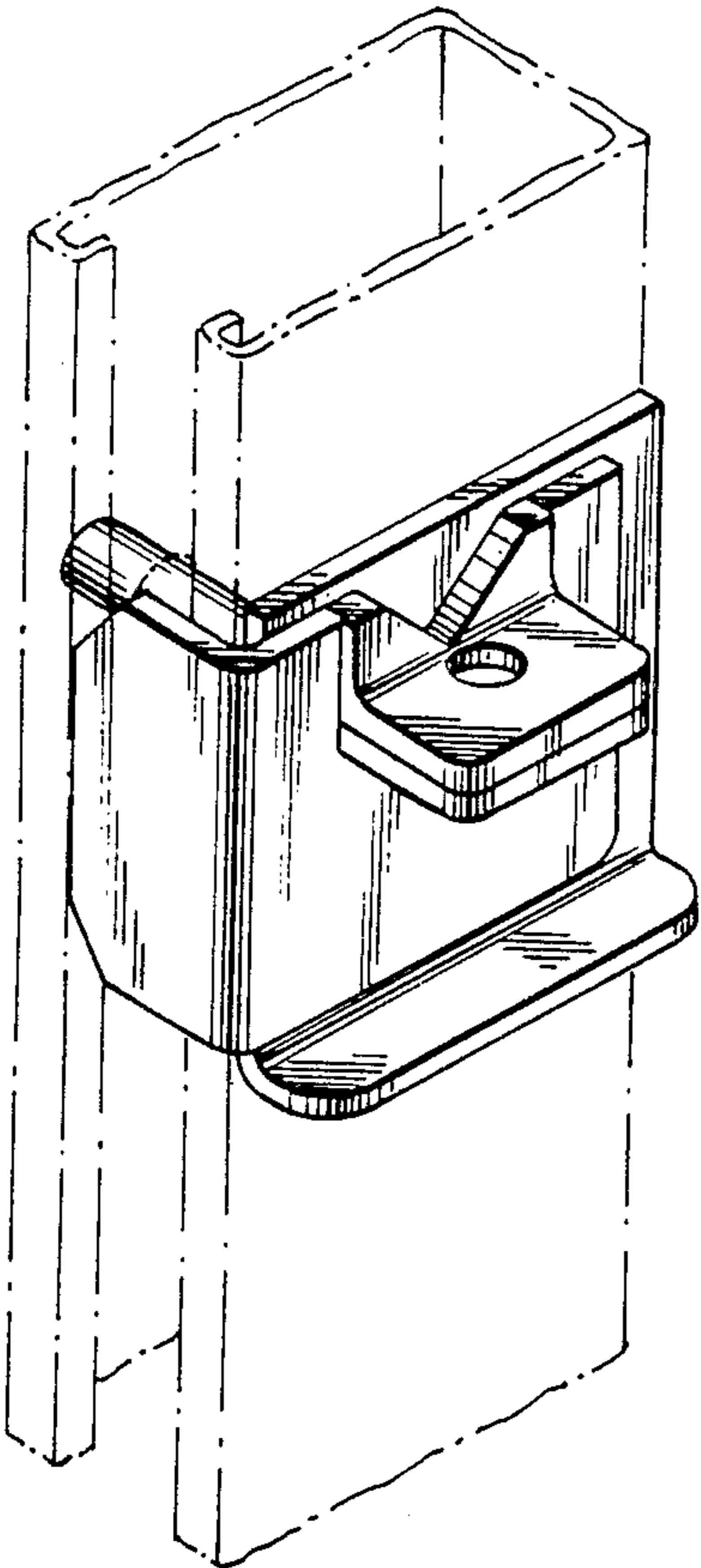


FIG. 1

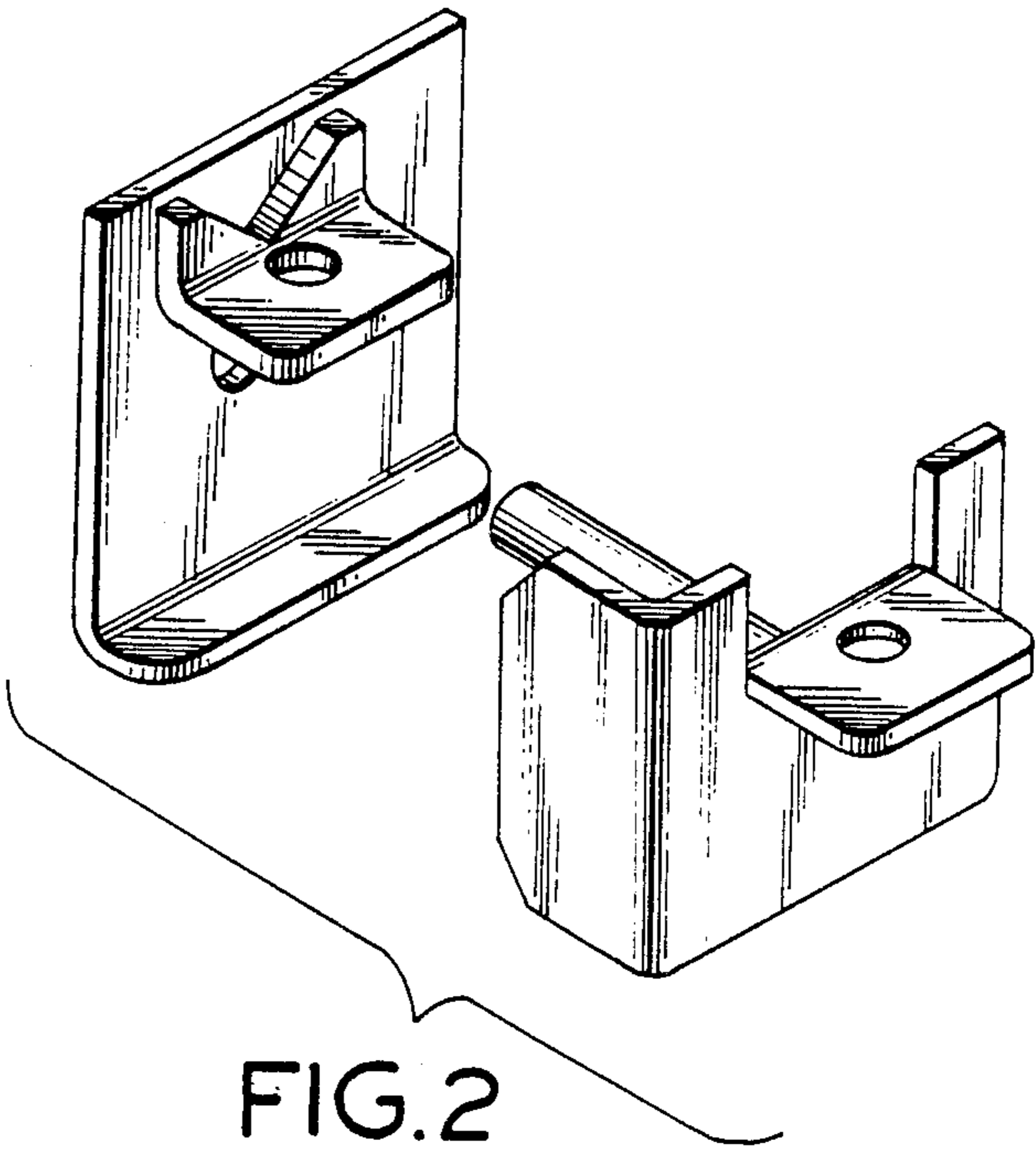


FIG. 2

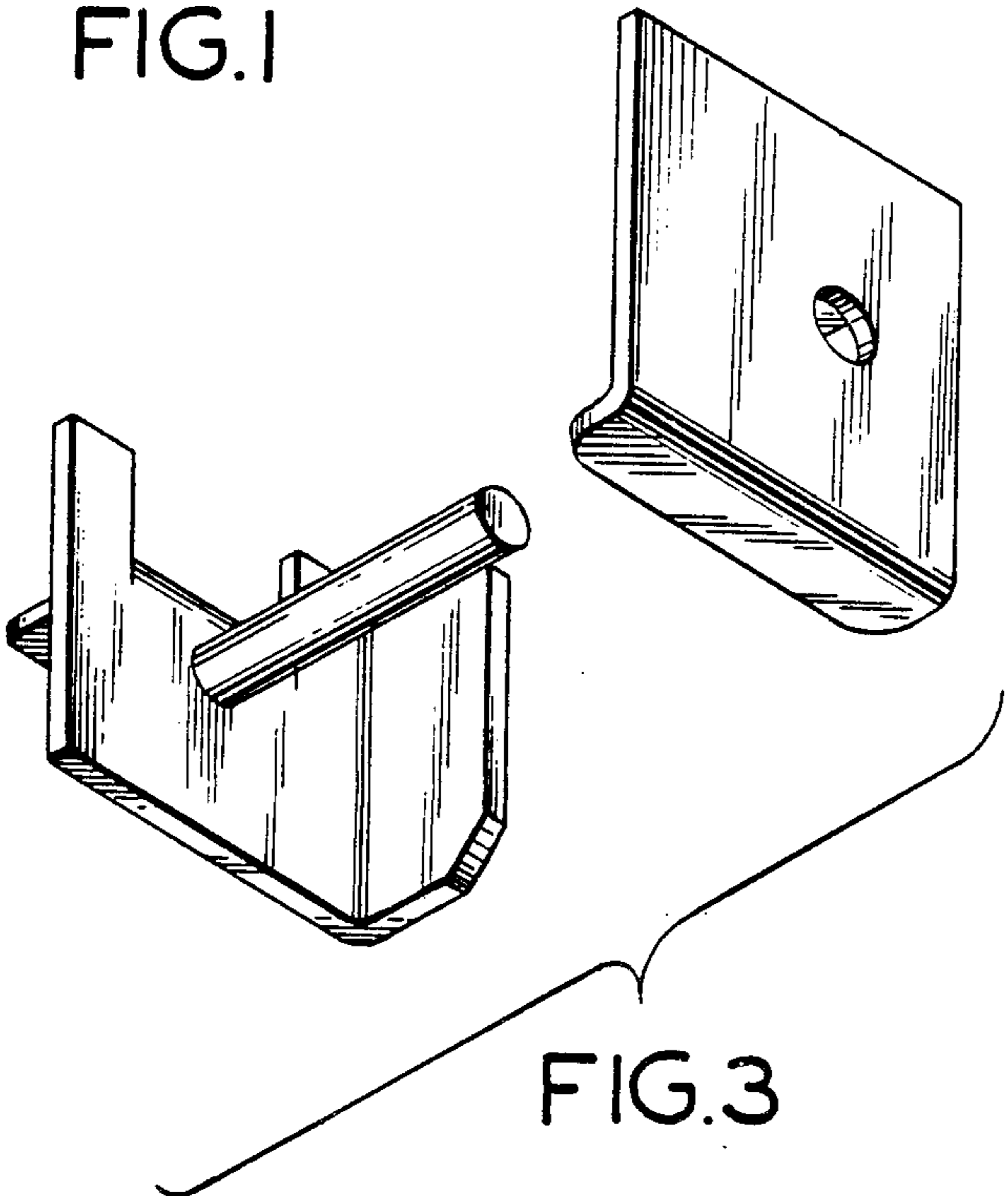


FIG. 3

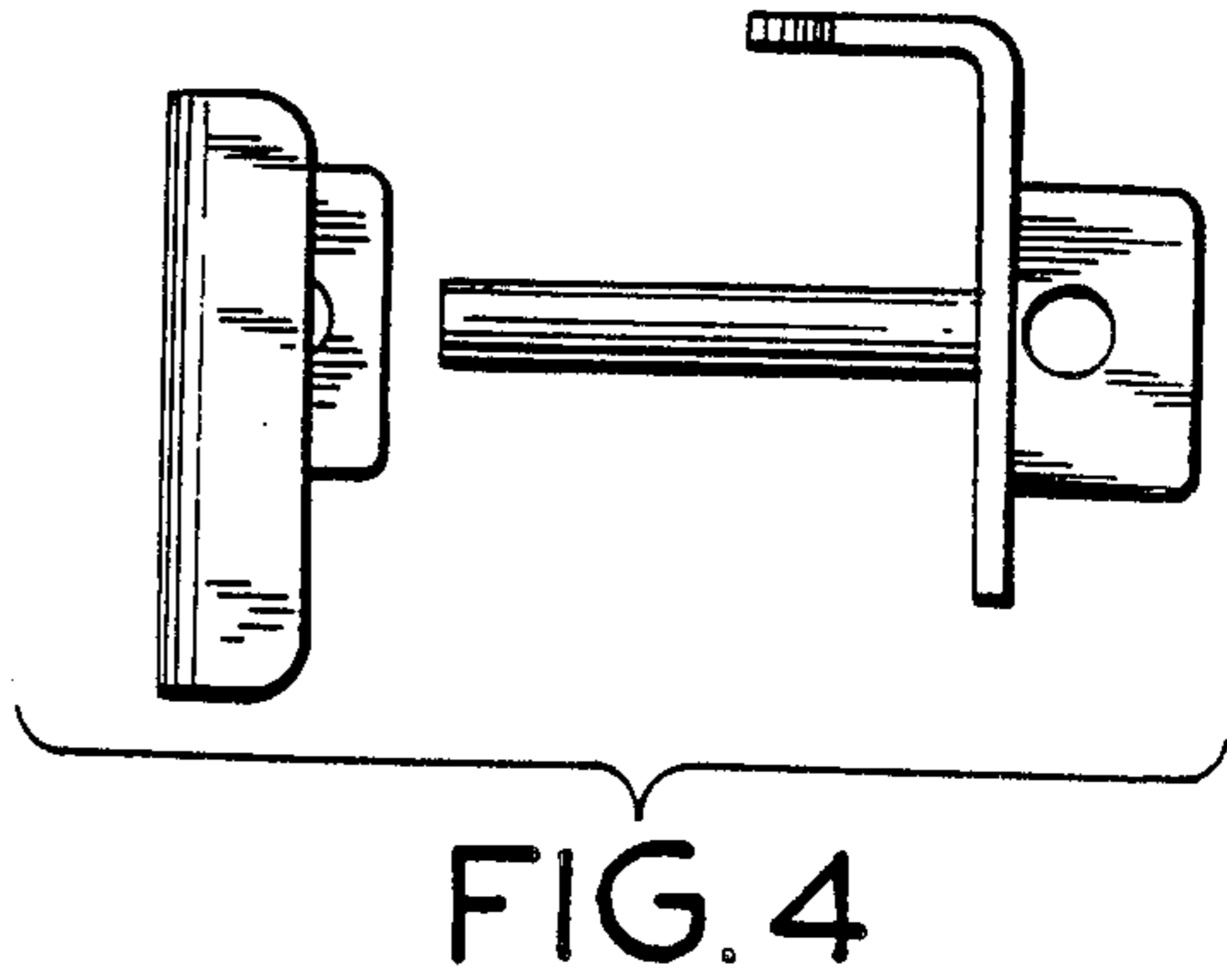


FIG. 4