

[54] MULTI-NEEDLE TYPE CHISEL

[76] Inventor: Toshio Mikiya, 9-17, Todoroki 1-chome, Setagaya-ku, Tokyo, Japan

[**] Term: 14 Years

[21] Appl. No.: 617,891

[22] Filed: Jun. 6, 1984

[30] Foreign Application Priority Data

Dec. 7, 1983 [JP] Japan 58-52662
[52] U.S. Cl. D8/61; D8/67
[58] Field of Search D8/61-69; 81/57.14, 463, 464; 125/41; 173/170

[56] References Cited

U.S. PATENT DOCUMENTS

2,592,649 4/1952 Brackett 173/170
3,053,100 9/1962 Luhm 173/170 X
3,837,409 9/1974 Consoli et al. 173/170 X
3,876,015 4/1975 Kivela 173/170

OTHER PUBLICATIONS

Chicago Pneumatic advertisement; Needle Scaler model #CP456L-N1.
Nitto Kohki Co., Ltd. "Jet Chisel" brochure, model JEX-28.

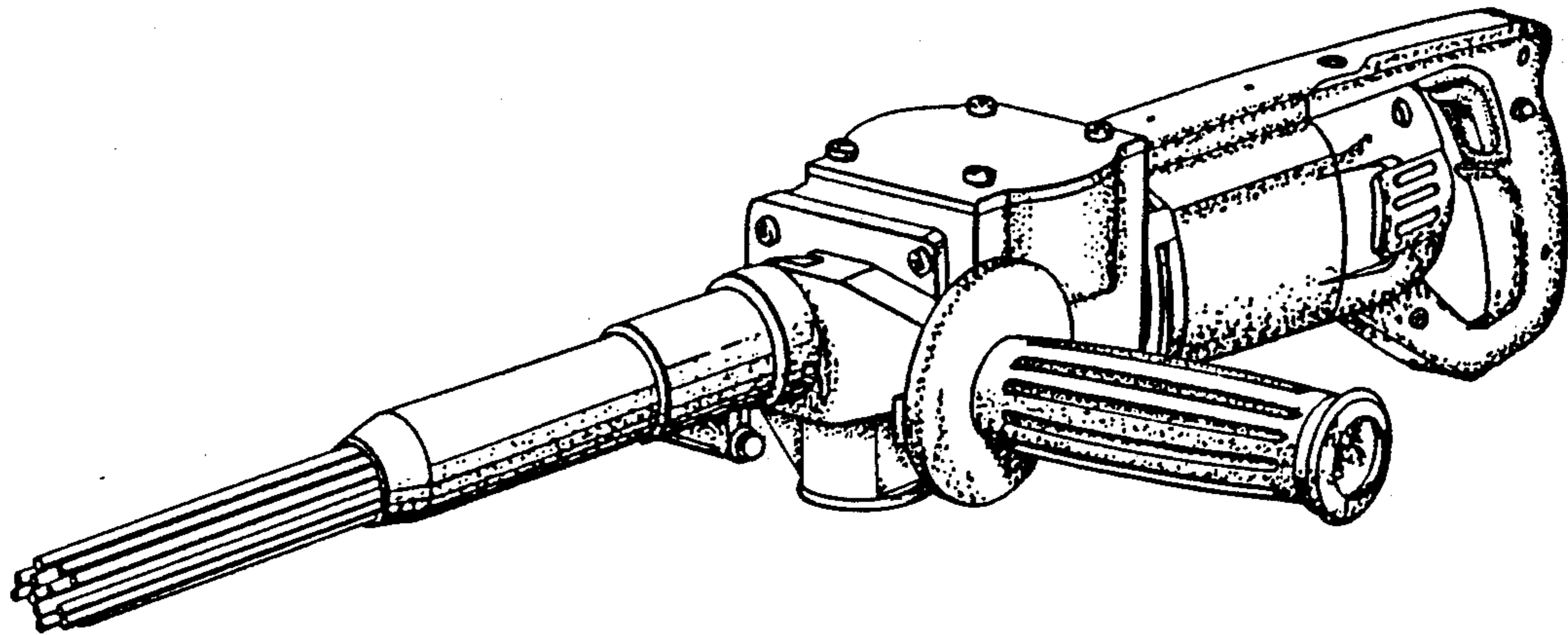
Primary Examiner—Wallace R. Burke
Assistant Examiner—C. E. Heflin
Attorney, Agent, or Firm—Birch, Stewart, Kolasch & Birch

[57] CLAIM

The ornamental design for a multi-needle type chisel, as shown.

DESCRIPTION

FIG. 1 is a right side elevational view of a multi-needle type chisel showing my new design; FIG. 2 is a rear elevational view thereof; FIG. 3 is a front elevational view thereof; FIG. 4 is a top plan view thereof; FIG. 5 is a left side elevational view thereof; FIG. 6 is a bottom plan view thereof; and FIG. 7 is a perspective view thereof.



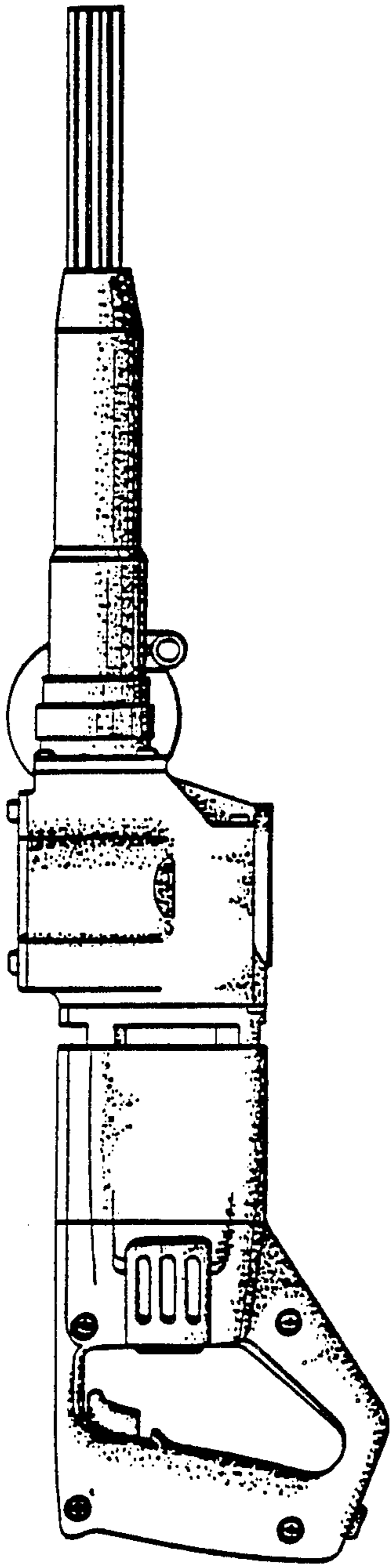


FIG. 1

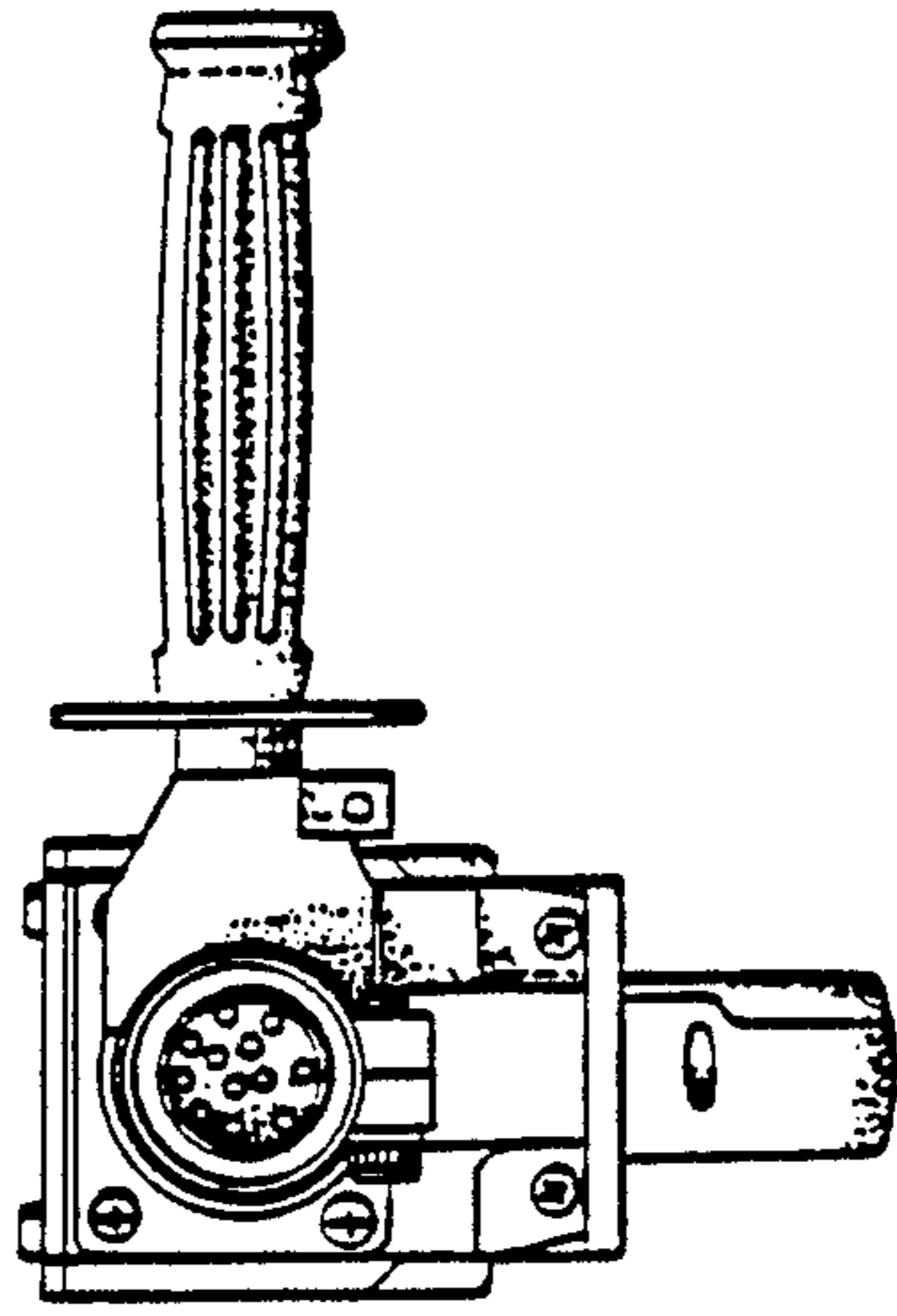


FIG. 3

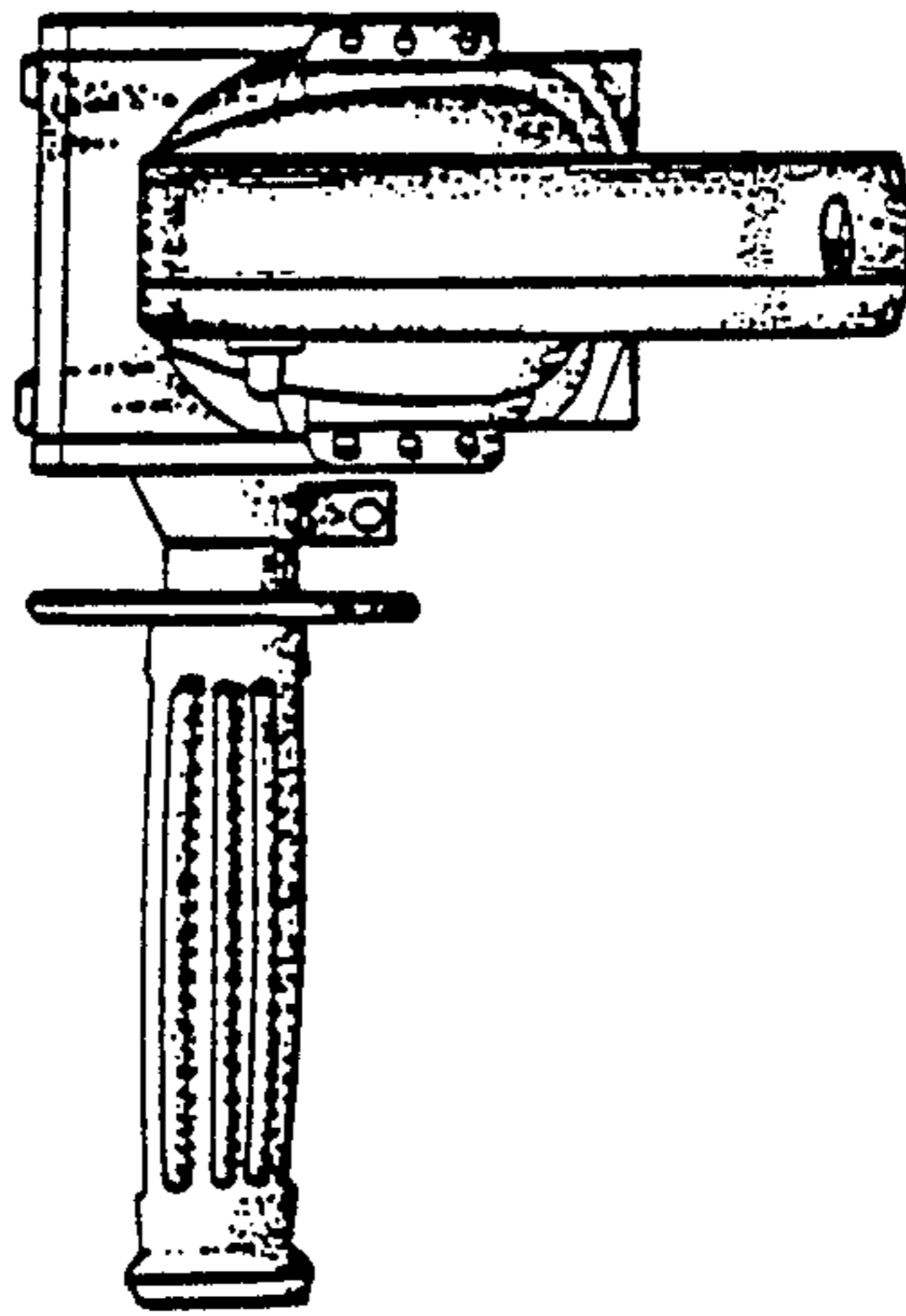


FIG. 2

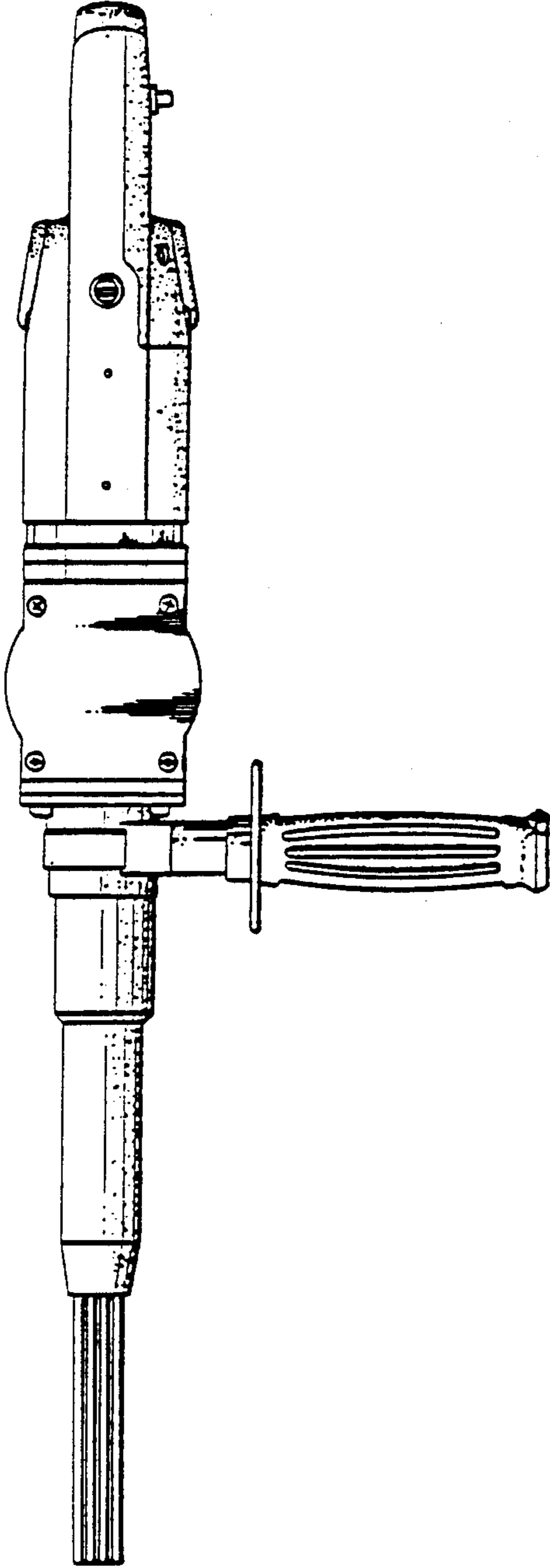


FIG. 4

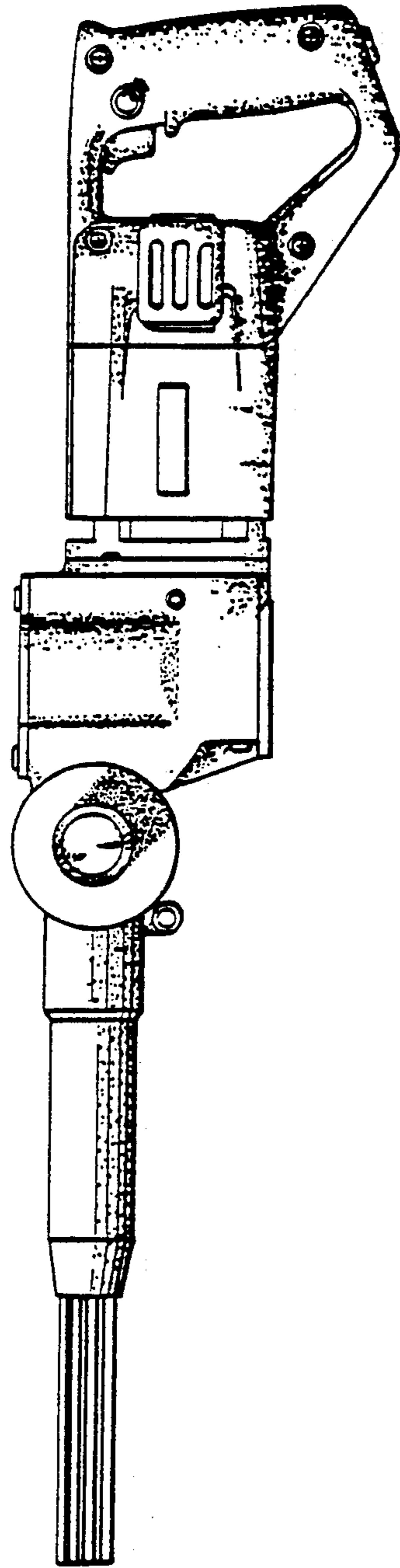


FIG. 5

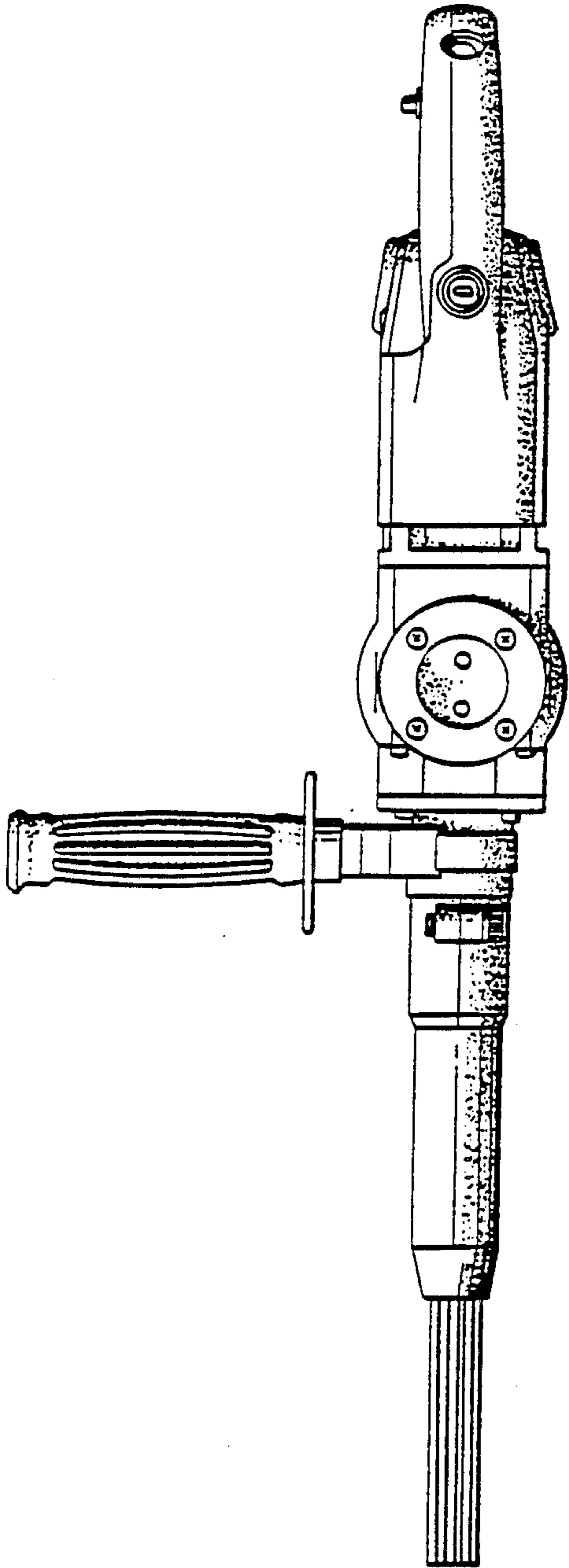


FIG. 6

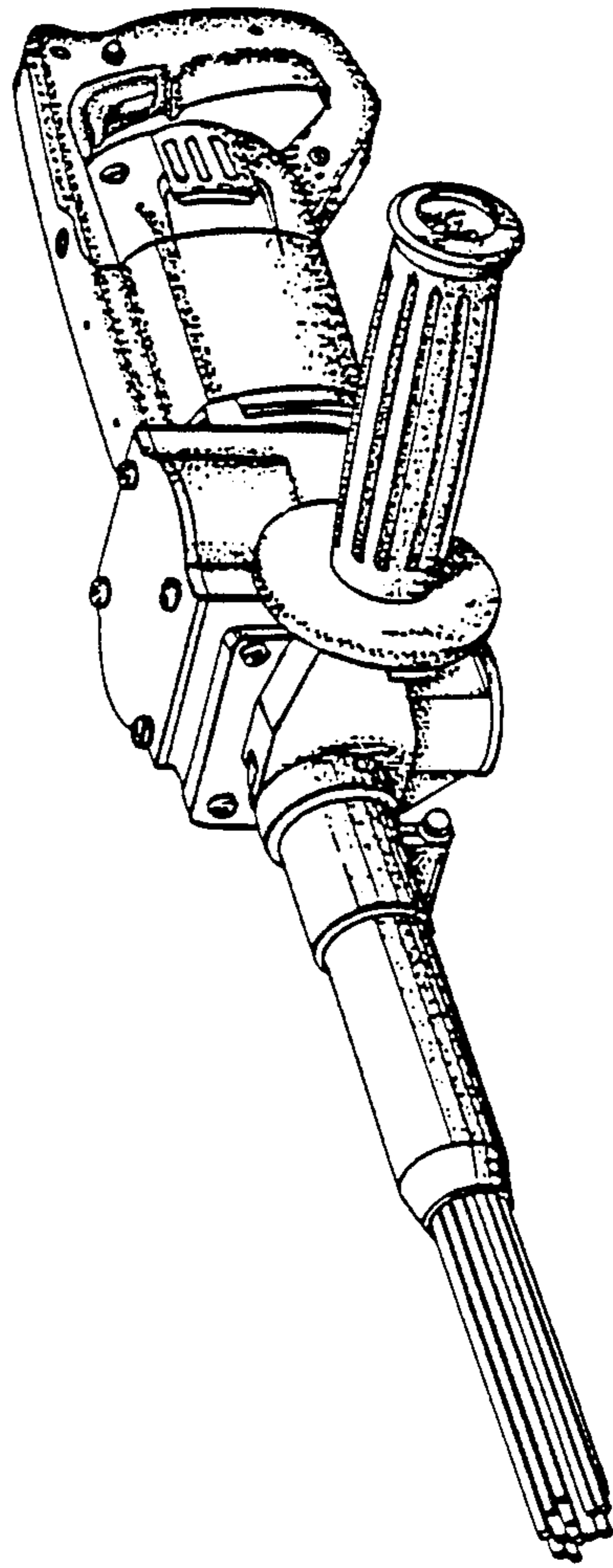


FIG. 7