

[54] HAND-HELD CAN OPENER

[75] Inventors: Ronald L. Muller, Old Saybrook; William J. Rakocy, Madison, both of Conn.

[73] Assignee: North American Philips Corporation, New York, N.Y.

[**] Term: 14 Years

[21] Appl. No.: 710,767

[22] Filed: Mar. 7, 1985

[52] U.S. Cl. D8/41

[58] Field of Search D8/18, 33, 34, 36, 38, D8/40, 41; 30/400, 401, 410, 421-426

[56] References Cited

U.S. PATENT DOCUMENTS

D. 276,406 11/1984 Johnson et al. D8/41

OTHER PUBLICATIONS

Gifts & Decorative Accessories, 6/84, p. 178, Handheld Can Opener, upper right corner. Kitchen Bazaar, 3/84, p. 23, Electric Can Opener, bottom, left corner.

Primary Examiner—Bernard Ansher
Assistant Examiner—Terry Pfeffer
Attorney, Agent, or Firm—Thomas A. Briody; William J. Streeter; Rolf E. Schneider

[57] CLAIM

The ornamental design for a hand-held can opener, as shown.

DESCRIPTION

FIG. 1 is a front elevational view of a hand-held can opener showing our new design; FIG. 2 is a top plan view thereof; FIG. 3 is a left-side elevational view thereof; FIG. 4 is a right-side elevational view thereof; FIG. 5 is a rear elevational view thereof; and FIG. 6 is a bottom plan view thereof.

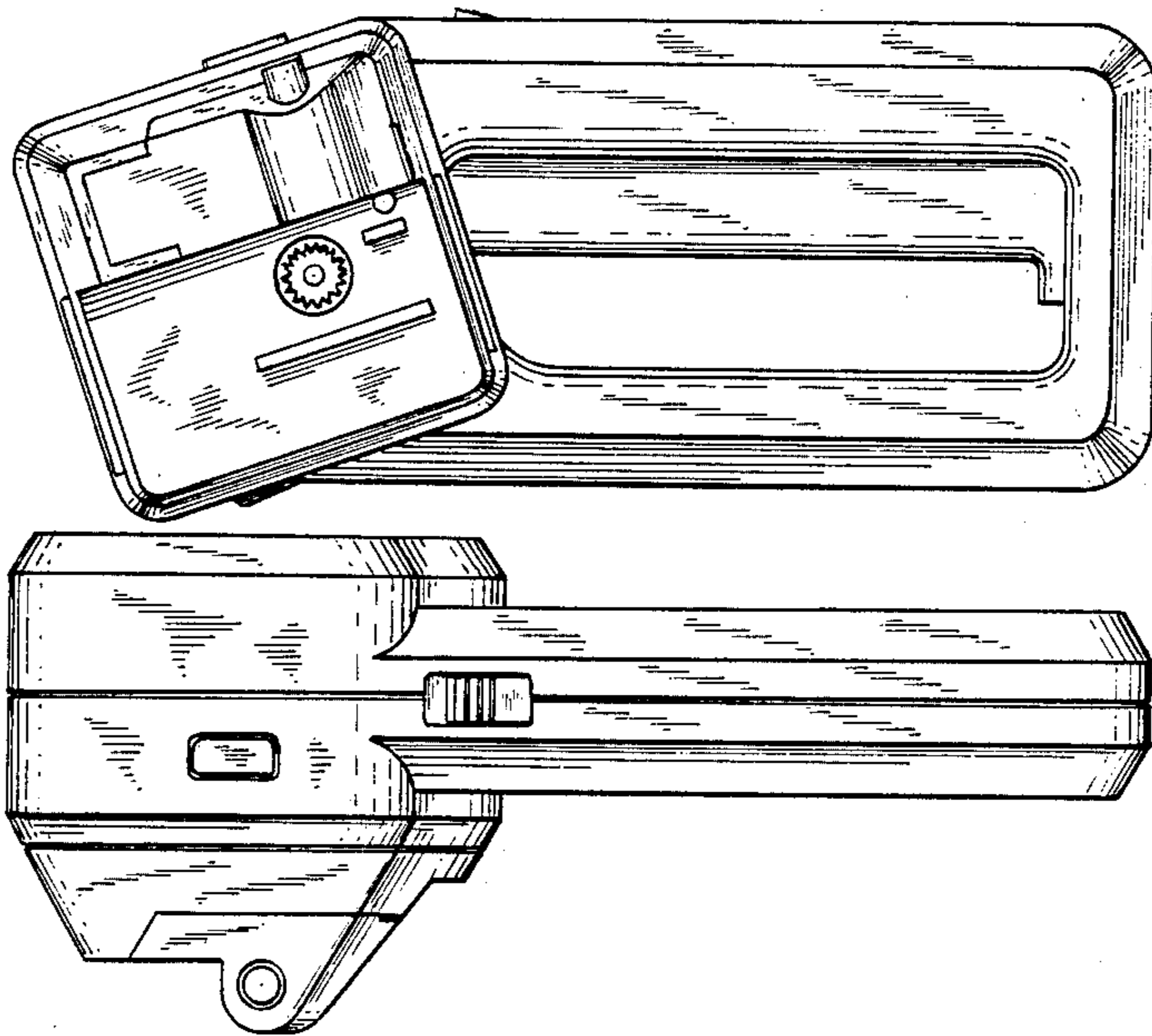


FIG. 1

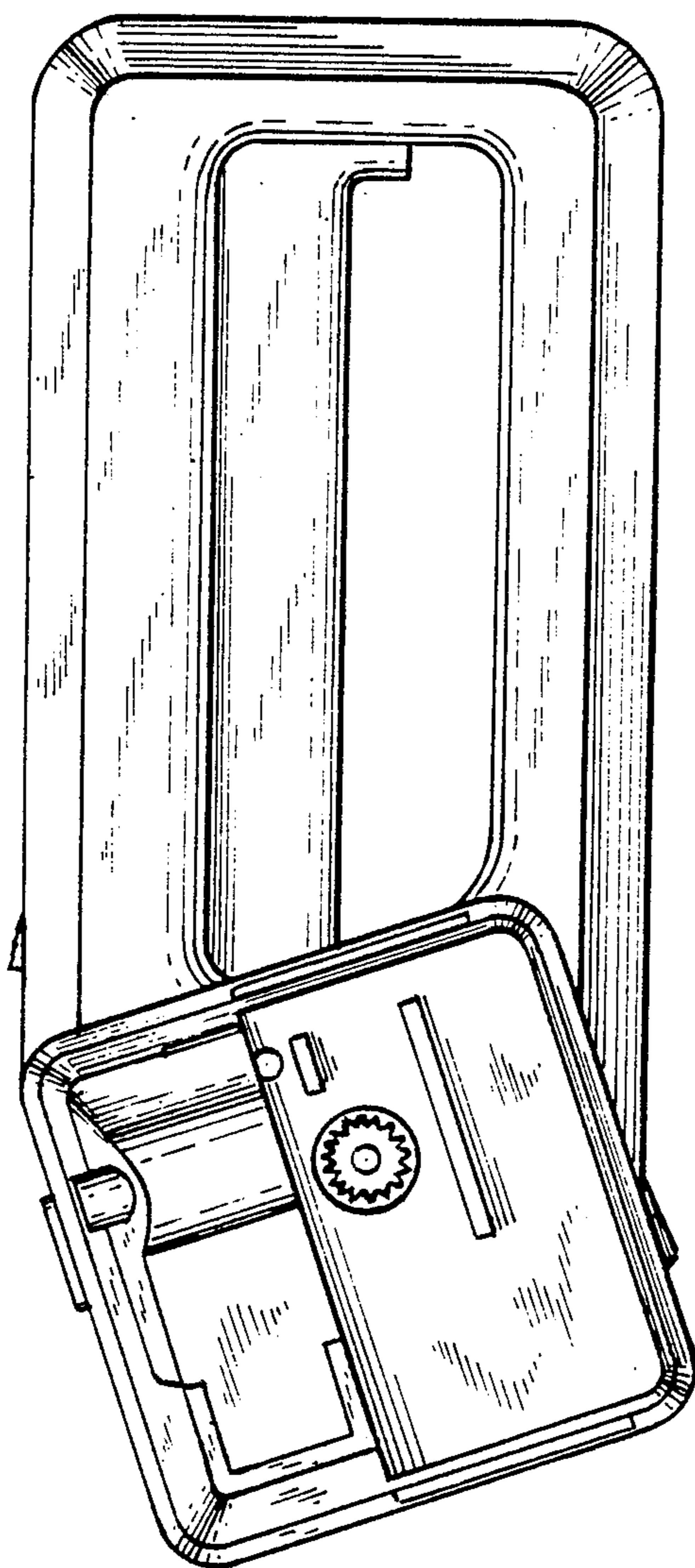


FIG. 2

