

[54] COMBINATION TRIVET AND SERVING TRAY

[76] Inventor: Terence Y. Narain, 6477 Sorrel Way, West Linn, Oreg. 97068

[**] Term: 14 Years

[21] Appl. No.: 691,655

[22] Filed: Jan. 15, 1985

[52] U.S. Cl. D7/21; D7/3; D7/46; D7/388

[58] Field of Search D7/37, 46, 38, 21, 3, D7/388, 363; 206/557; 269/289 R, 302.1

[56] References Cited

U.S. PATENT DOCUMENTS

D. 239,689	4/1976	Doman et al.	D7/21 X
D. 246,883	1/1978	Di Ruscio	D7/388
D. 253,273	10/1979	Matzdorff	D7/388
D. 255,208	6/1980	Greger	D7/388
D. 259,762	7/1981	Sabin	D7/388
D. 263,919	4/1982	Anderson	D7/388
D. 267,386	12/1982	Kneale	D7/45
D. 267,766	2/1983	Storrs	D7/38
D. 267,767	2/1983	Storrs	D7/38

D. 267,922	2/1983	Schweizer	D7/38 X
D. 269,321	6/1983	Zannini	D7/388
533,558	2/1895	Roberts	269/302.1 X
571,349	11/1896	Farquhar	269/302.1
1,771,294	7/1930	Hackett	269/289 X
3,178,766	4/1965	Bednar	D7/46 X
3,967,803	7/1976	Kienlen et al.	248/152
3,990,495	11/1976	LaBarba	150/2.2
4,378,397	3/1983	Sussman	428/215

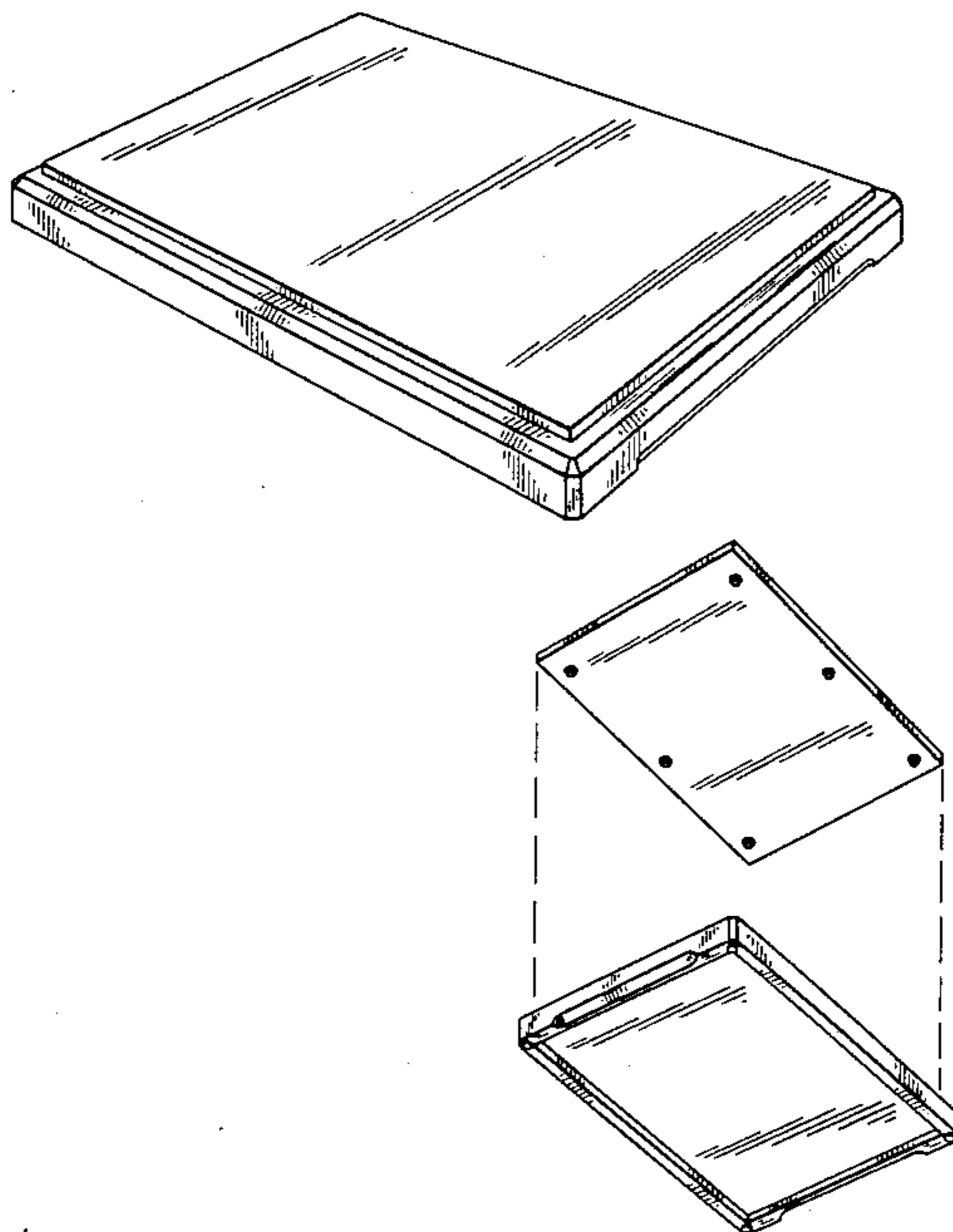
Primary Examiner—Winifred E. Herrmann
Attorney, Agent, or Firm—Klarquist, Sparkman, Campbell, Leigh & Whinston

[57] CLAIM

The ornamental design for a combination trivet and serving tray, as shown.

DESCRIPTION

FIG. 1 is a top perspective view of a combination trivet and serving tray showing my new design.
FIG. 2 is a top plan view thereof;
FIG. 3 is a bottom plan view thereof;
FIG. 4 is a front elevational view thereof;
FIG. 5 is a side elevational view thereof;
FIG. 6 is an exploded bottom perspective view thereof.
FIG. 7 is an exploded top perspective view thereof.



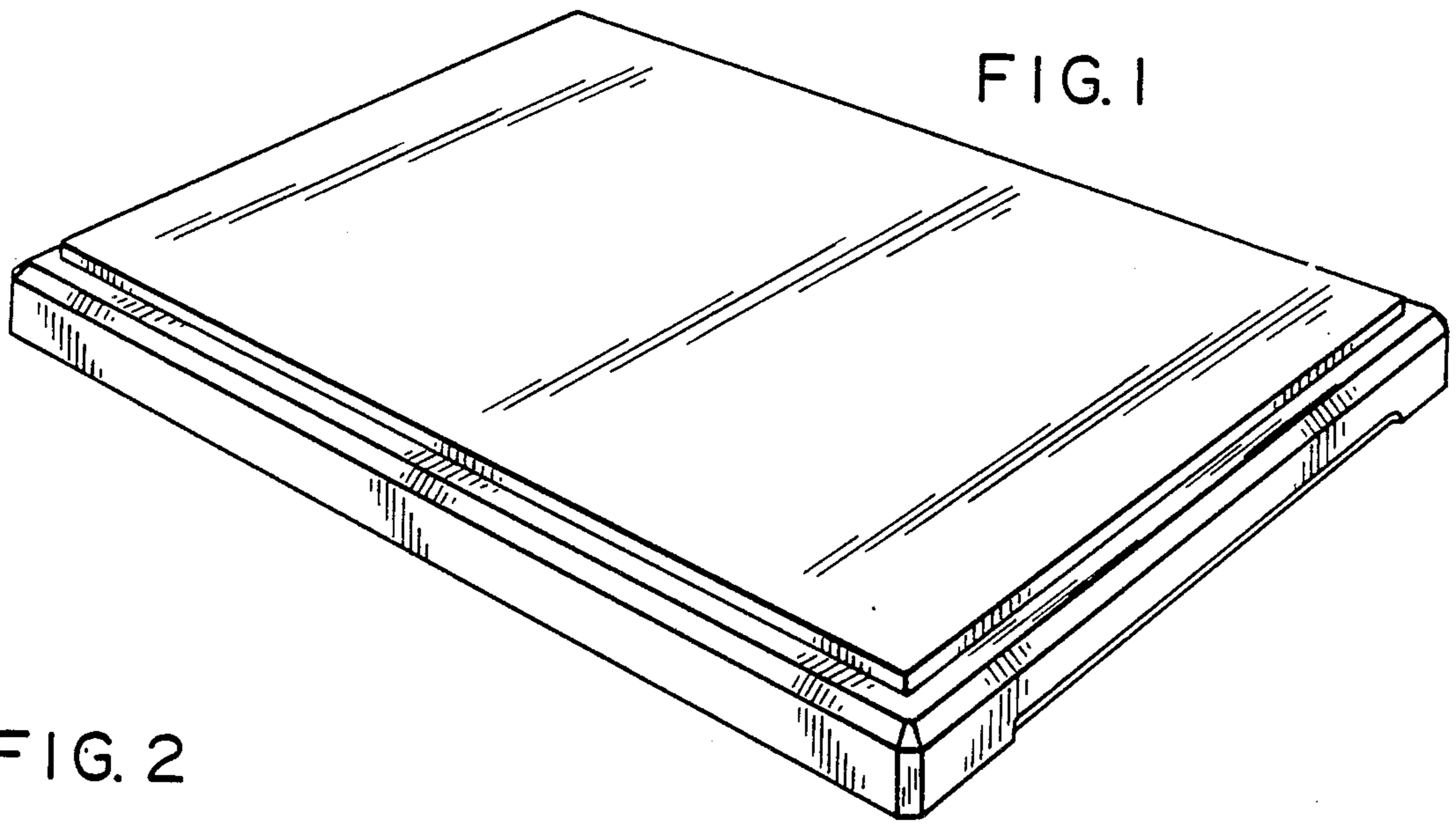


FIG. 2

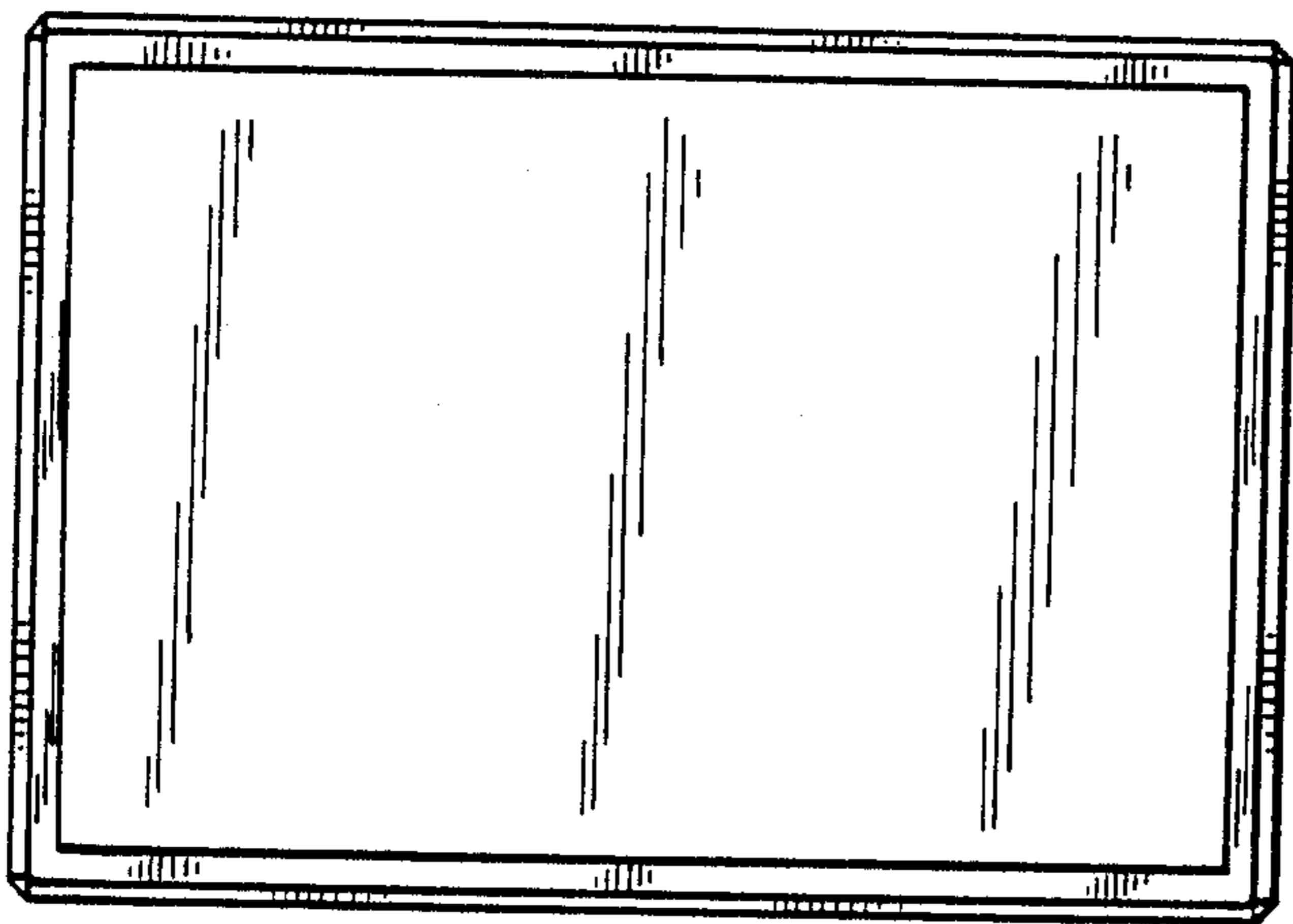


FIG. 3

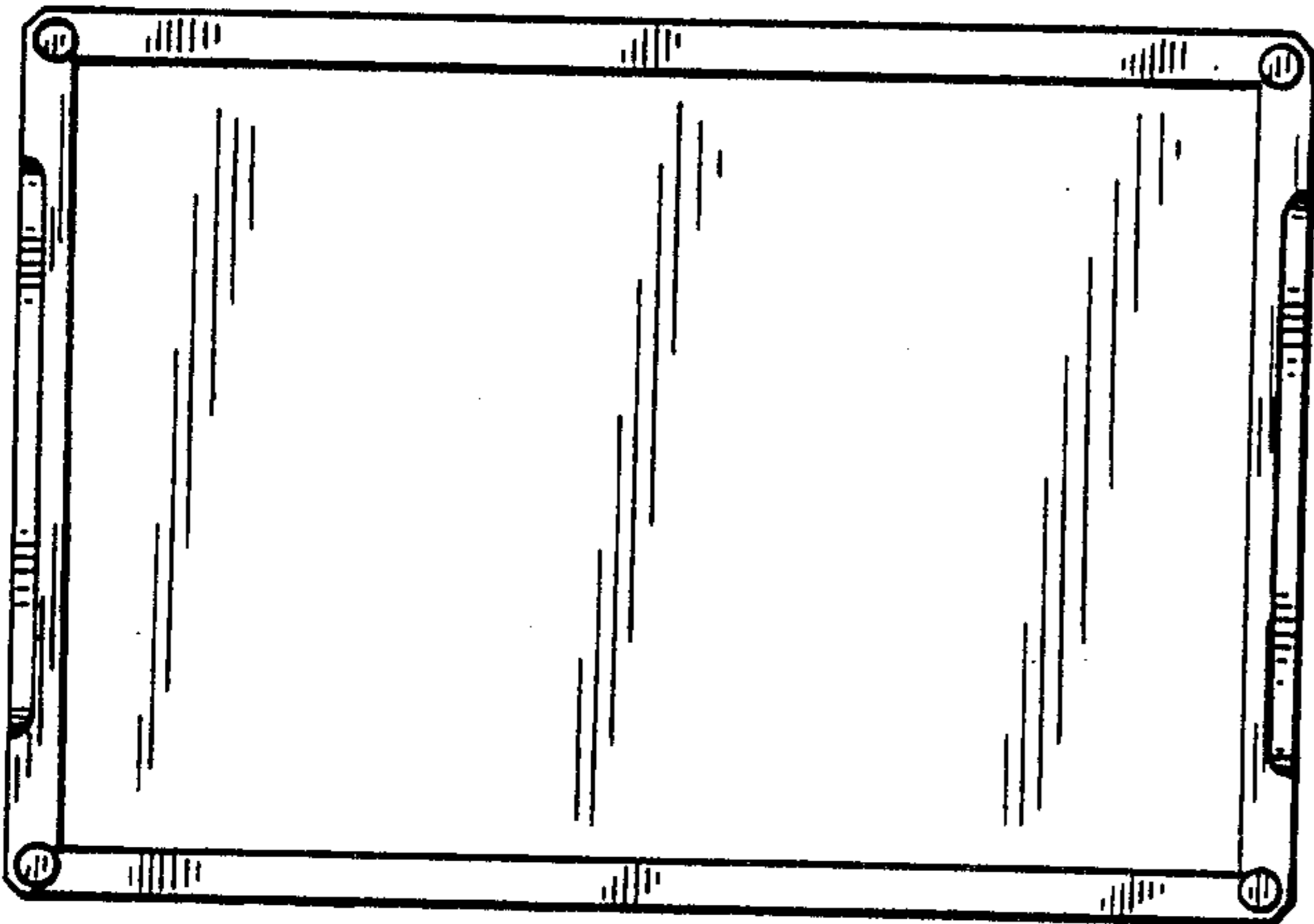


FIG. 4



FIG. 6

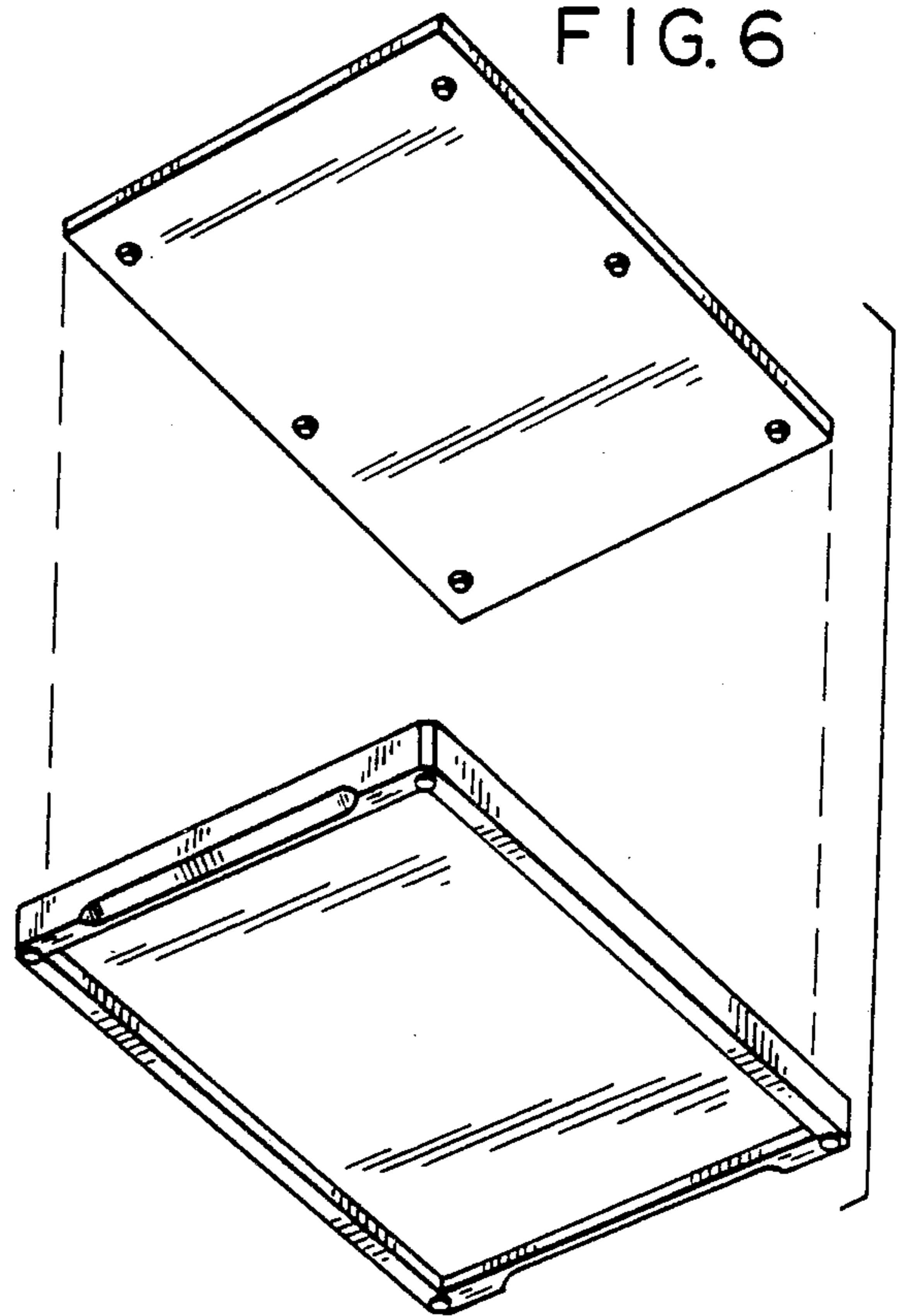


FIG. 5



FIG. 7

