

[54] COIN STORAGE UNIT WITH LIGHT

[75] Inventors: Samuel M. Seltzer; Saul Dennison, both of Livingston, N.J.

[73] Assignee: Allison Corporation, Livingston, N.J.

[**] Term: 14 Years

[21] Appl. No.: 737,237

[22] Filed: May 23, 1985

[52] U.S. Cl. D6/440; D3/78; D6/399; D6/420; D19/75

[58] Field of Search D6/449, 399, 440, 406, D6/419, 420; D3/78; D19/75, 77; D9/420; D99/34; 211/13

[56] References Cited

U.S. PATENT DOCUMENTS

- D. 82,556 11/1930 Green D6/440
- D. 103,668 3/1937 Case D9/420
- D. 160,319 10/1950 Hess D9/420
- D. 209,882 1/1968 Andersen D19/75 X

- D. 215,943 11/1969 Grainer D6/406
- D. 252,935 9/1979 Henkels D19/75 X
- D. 257,800 1/1981 Pedersen D3/78
- 4,538,861 9/1985 Hughes, Jr. D6/440 X

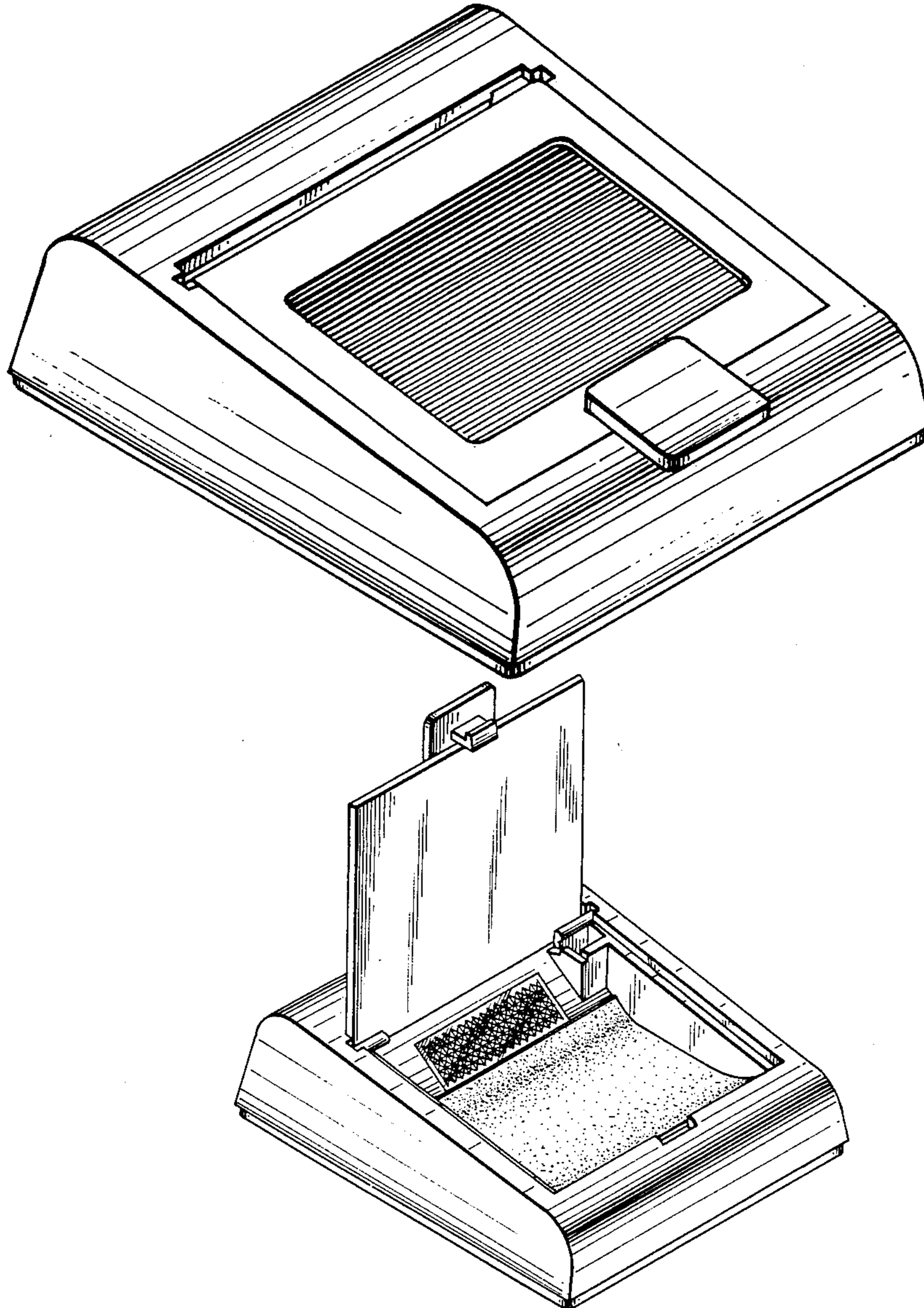
Primary Examiner—Carmen H. Vales
Attorney, Agent, or Firm—Helfgott & Karas

[57] CLAIM

The ornamental design for a coin storage unit with light, substantially as shown and described.

DESCRIPTION

FIG. 1 is a perspective view of a coin storage unit with light showing our new design;
 FIG. 2 is a top plan view thereof;
 FIG. 3 is a front elevational view thereof;
 FIG. 4 is a right side elevational view, the other side being a mirror image thereof;
 FIG. 5 is a rear elevational view thereof;
 FIG. 6 is a bottom plan view thereof; and
 FIG. 7 is a perspective view with the lid in open position.



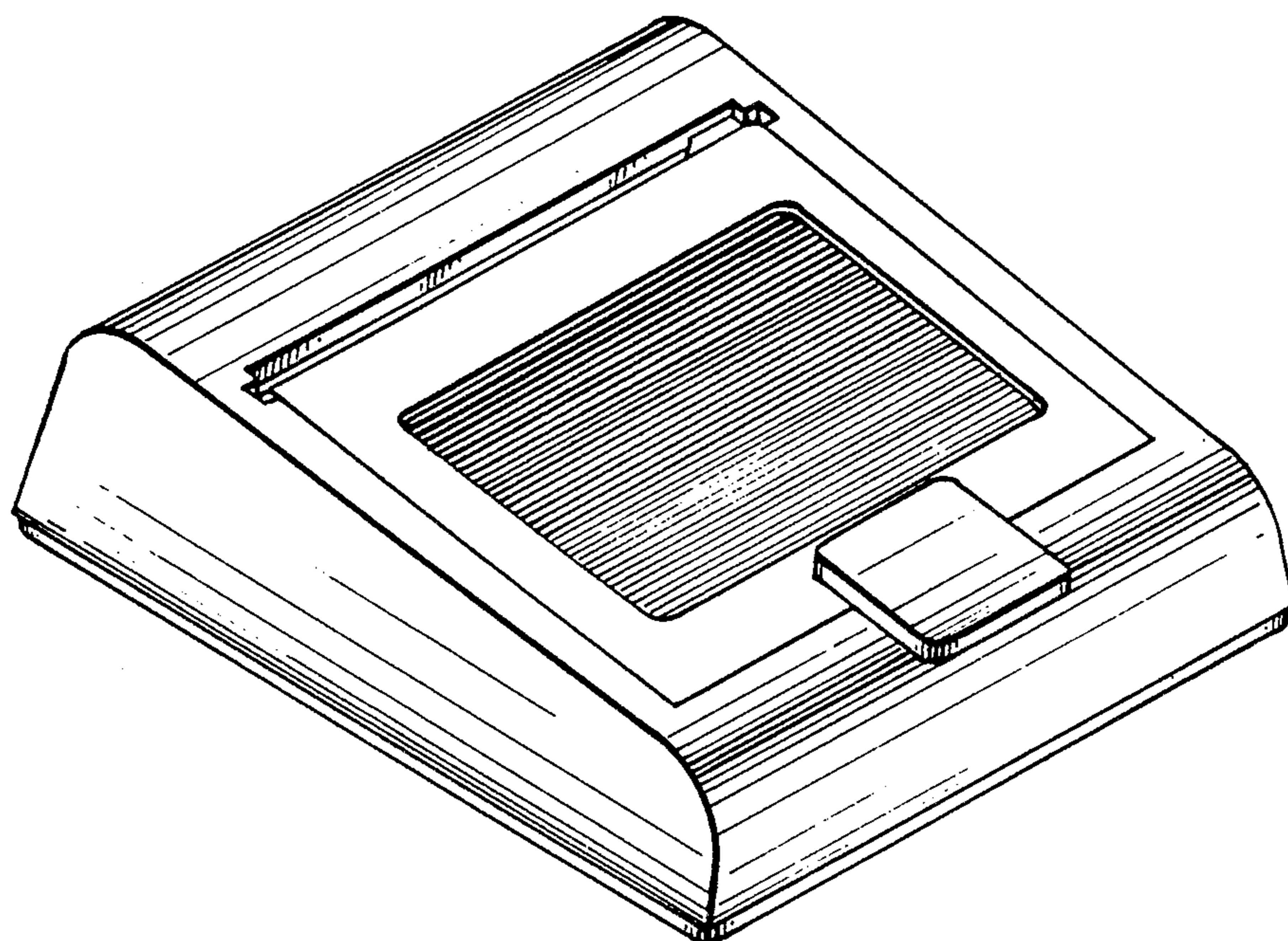


FIG. 1

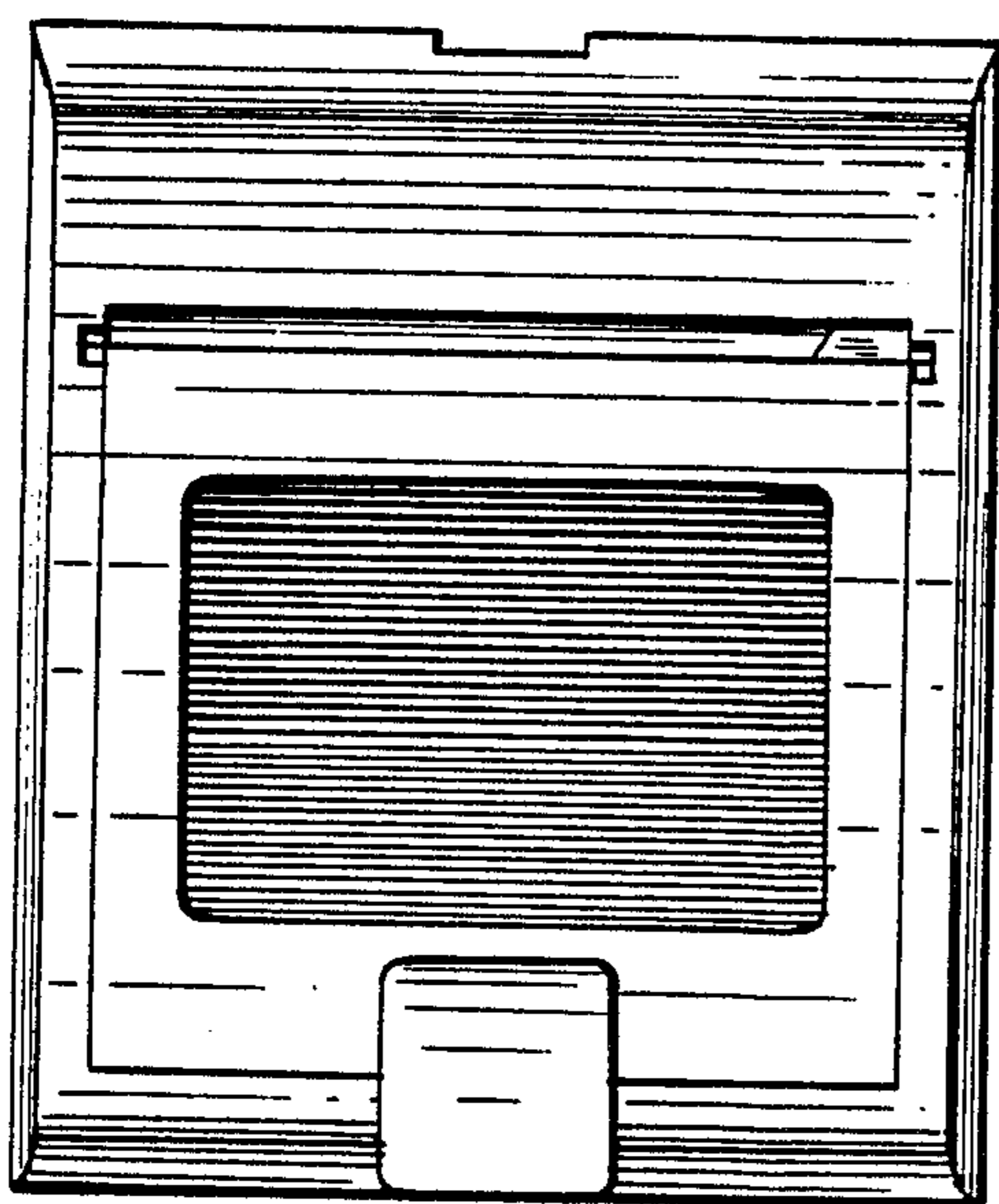


FIG. 2

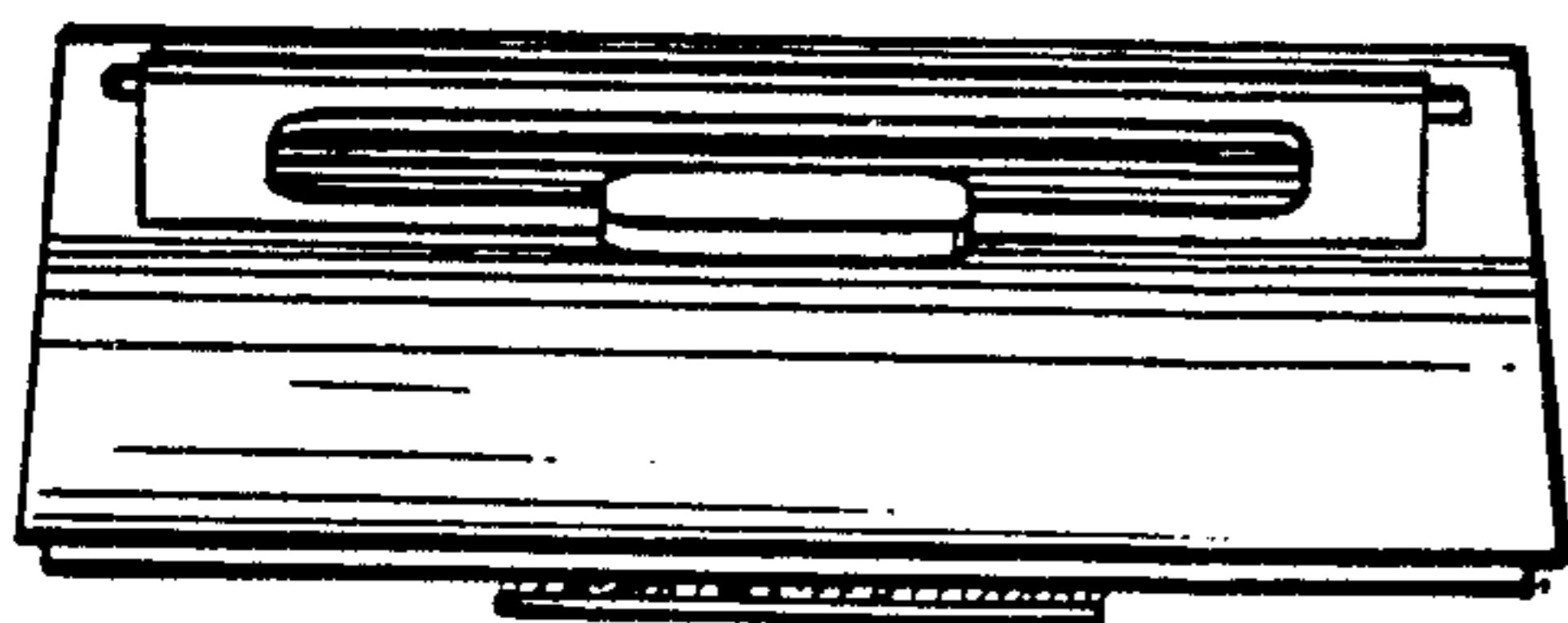


FIG. 3

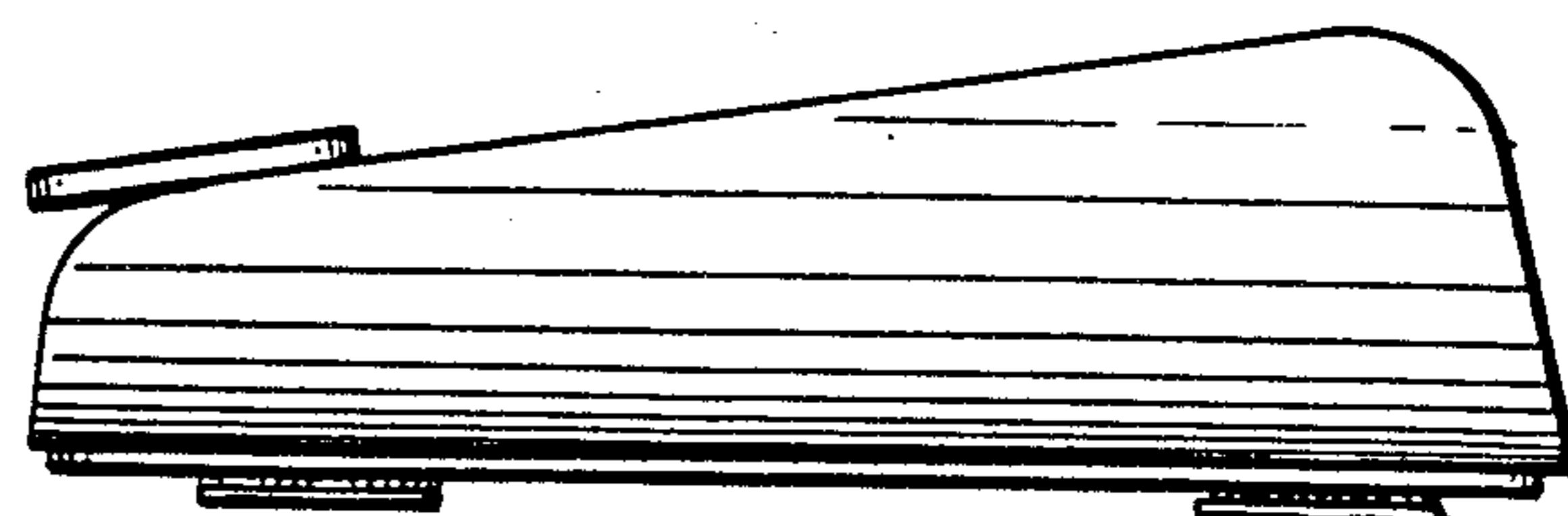


FIG. 4

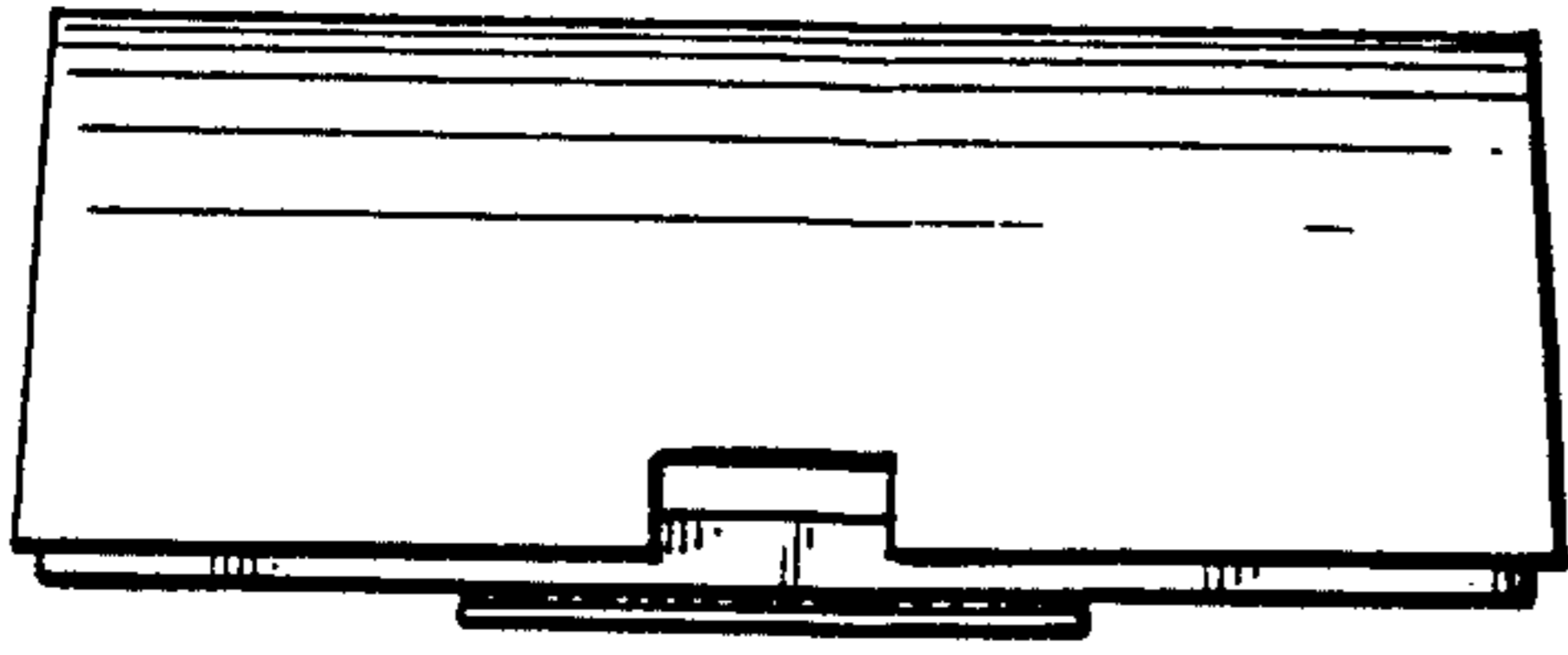


FIG. 5

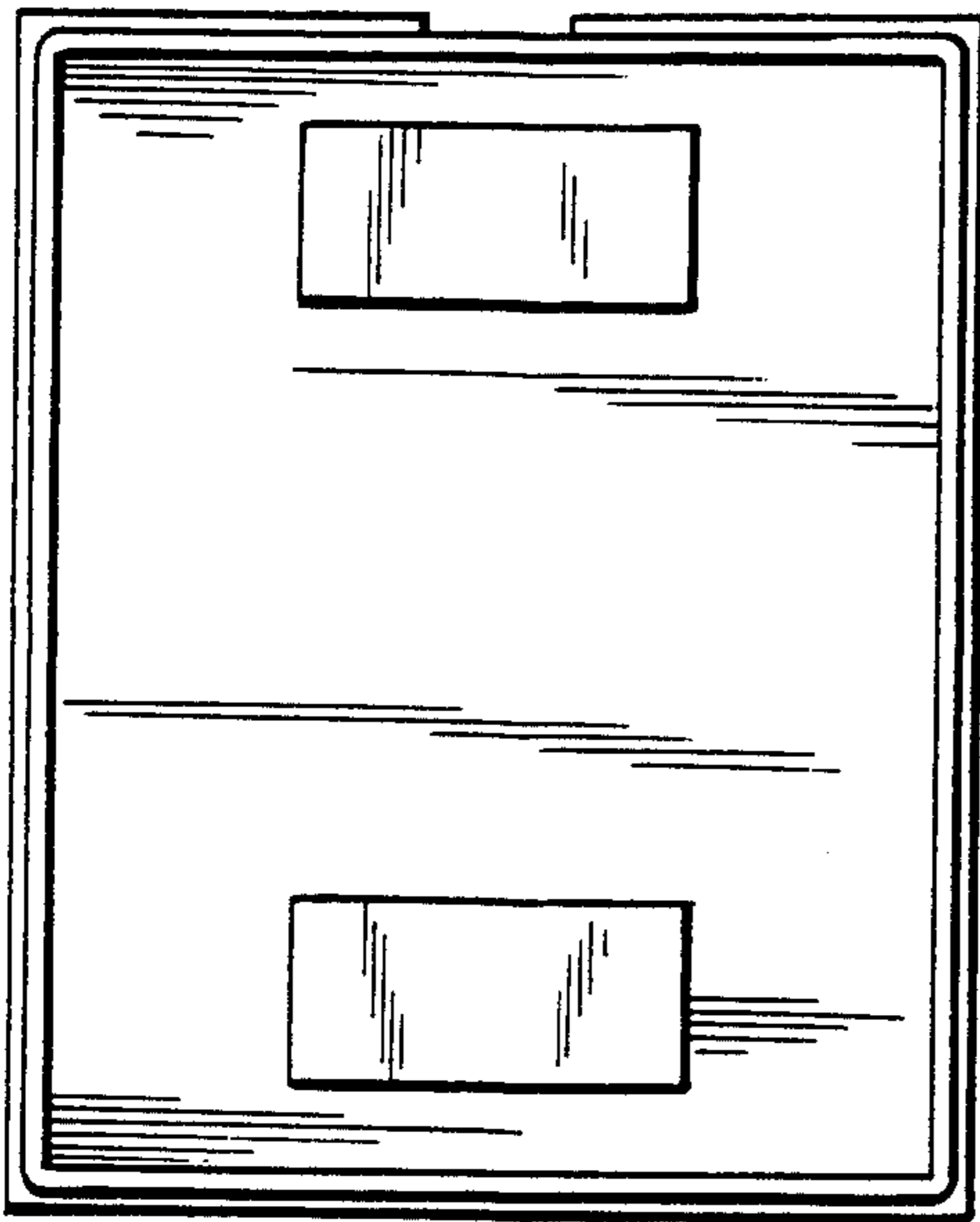


FIG. 6

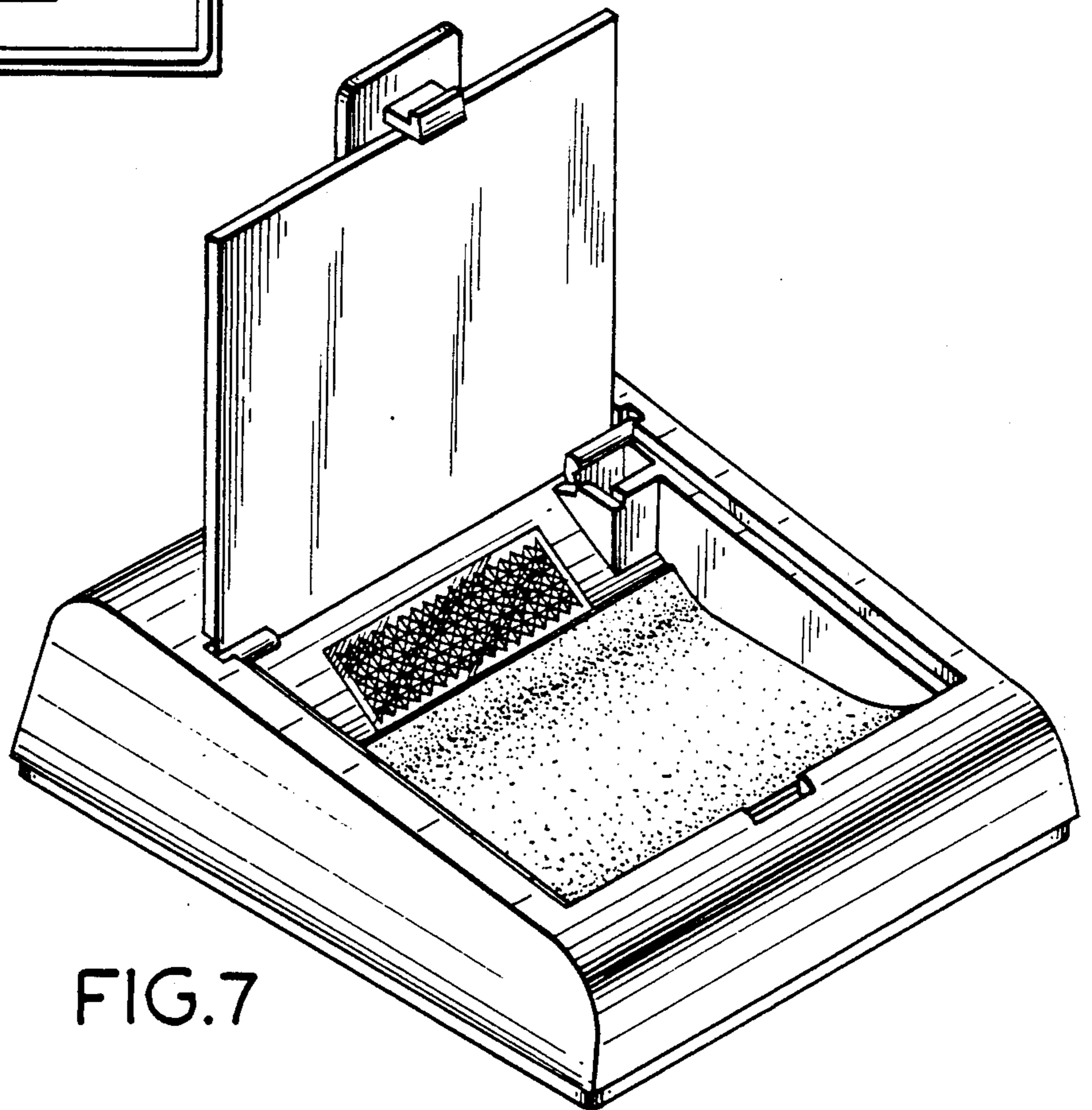


FIG. 7