

[54] ADJUSTABLE WORK SURFACE

OTHER PUBLICATIONS

[75] Inventors: James F. Hampshire, Stephens City; Glen E. Tomblin, Winchester, both of Va.

Frank Eastern Co. catalog #105, p. 35, published, 599 Broadway, NY, NY 10012, 1985.

[73] Assignee: Rubbermaid Commercial Products Inc., Winchester, Va.

Wright Line Inc. catalog, p. 6, published, 150 Grove Street, P.O. Box 2031, Worcester, MA 01613; 1985.

[**] Term: 14 Years

Devoke Company catalog, pp. 28, 33, 36, published 1500 Martin Avenue, Box 58051, Santa Clara, CA 95051; 1985.

[21] Appl. No.: 695,139

Misco Co. catalog, p. 35, published One Misco Plaza, Holmdel, NJ 07733; 1985.

[22] Filed: Jan. 25, 1985

Inmac Inc. catalog, pp. 6, 9, published 2465 Augustine Drive, Santa Clara, CA 95054; 1985.

[52] U.S. Cl. D6/418; D6/574

Primary Examiner—Wallace R. Burke
Assistant Examiner—Ruth E. Takemoto
Attorney, Agent, or Firm—Richard B. O’Planick

[58] Field of Search D6/411, 418, 509, 511, D6/574; 211/88-90, 103, 117, 126, 135; 108/102, 137, 144-145, 148; D15/138, 141; D19/52

[57] CLAIM

The ornamental design for an adjustable work surface, as shown and described.

DESCRIPTION

[56] References Cited

U.S. PATENT DOCUMENTS

D. 186,181	9/1959	Silkenat	D6/418
D. 274,105	6/1984	Brescia et al.	D6/555
D. 274,878	7/1984	Kates	D6/511
D. 286,352	10/1986	Huculak	D6/430
1,894,145	9/1930	Andler	211/90
3,189,394	6/1965	Fay	211/90

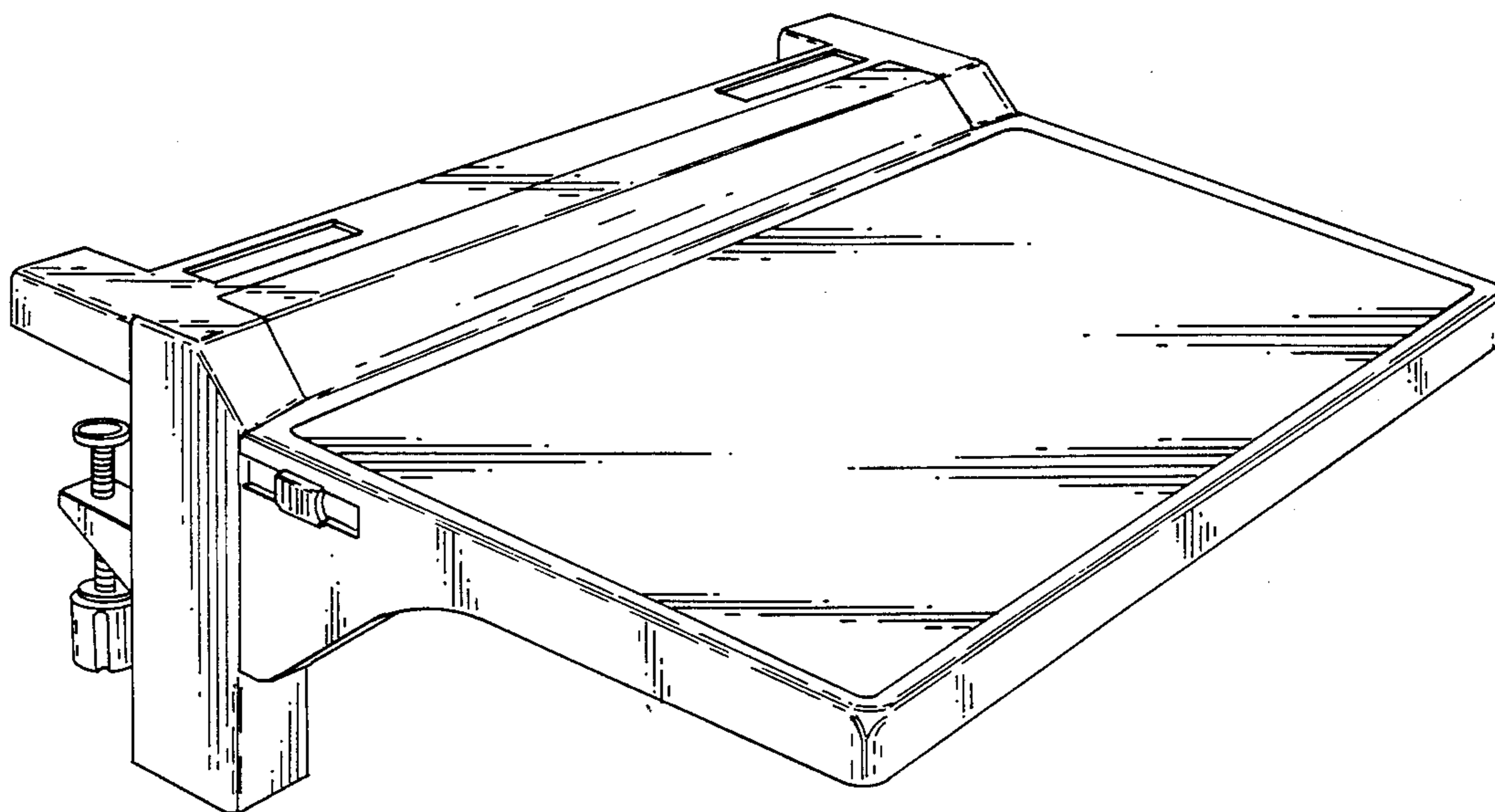
FIG. 1 is a perspective view of a adjustable work surface showing our new design in a raised position; FIG. 2 is a perspective view thereof in a lowered position;

FIG. 3 is a top plan view thereof;

FIG. 4 is a side elevational view thereof, the opposite side being a mirror image.

FIG. 5 is a front elevation view thereof; and

FIG. 6 is a rear elevation view thereof.



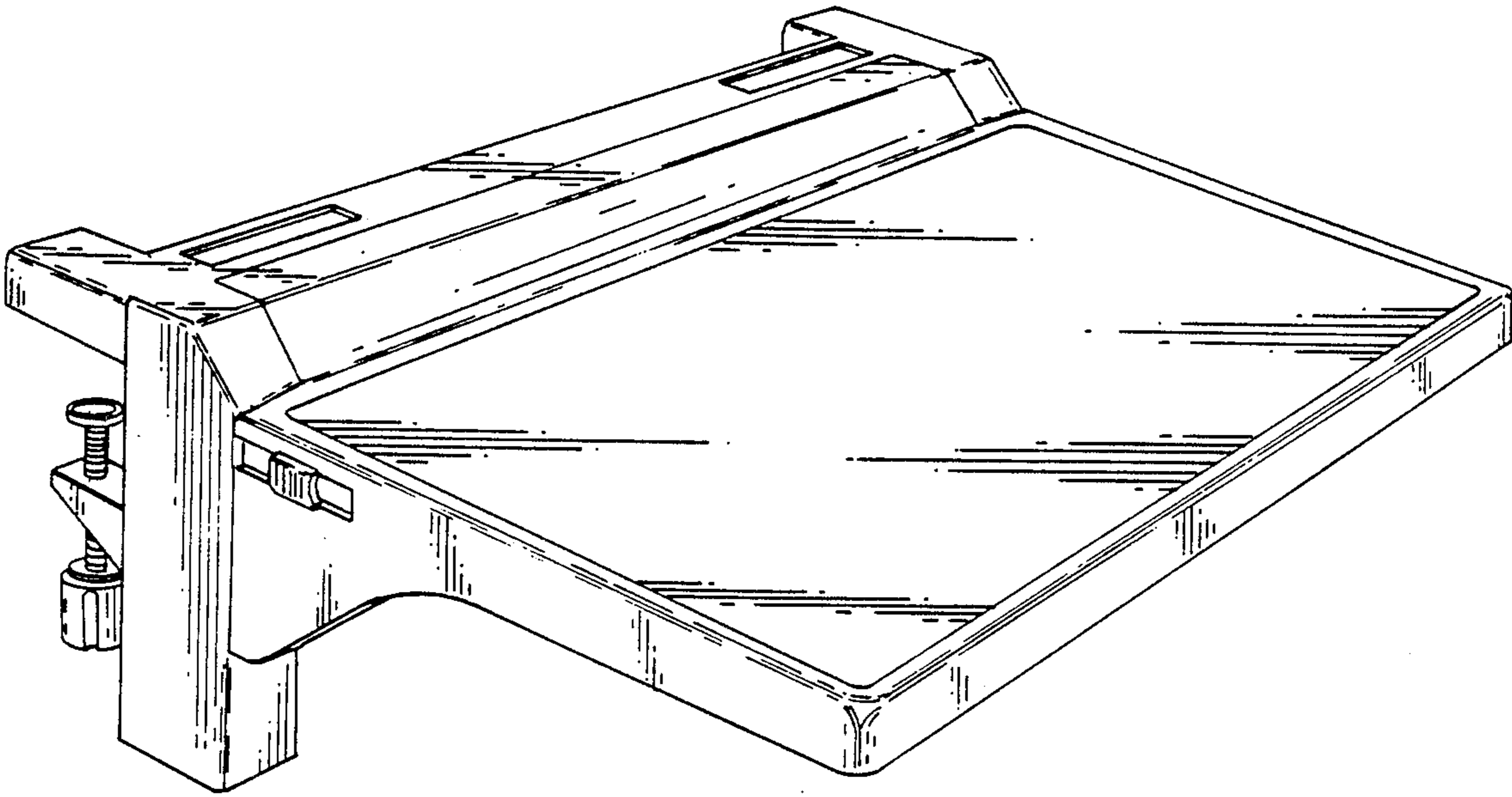


Fig. 1

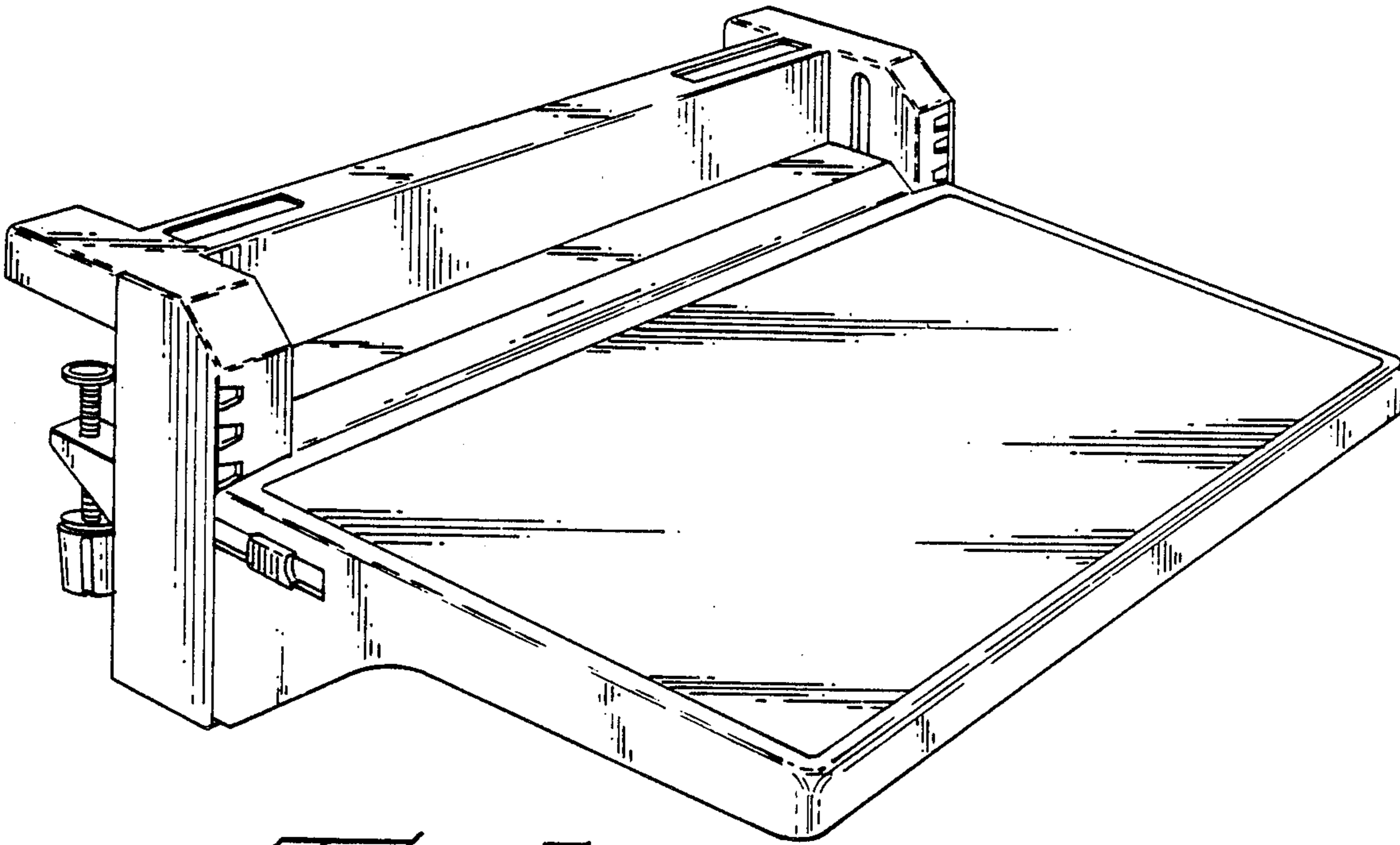


Fig. 2

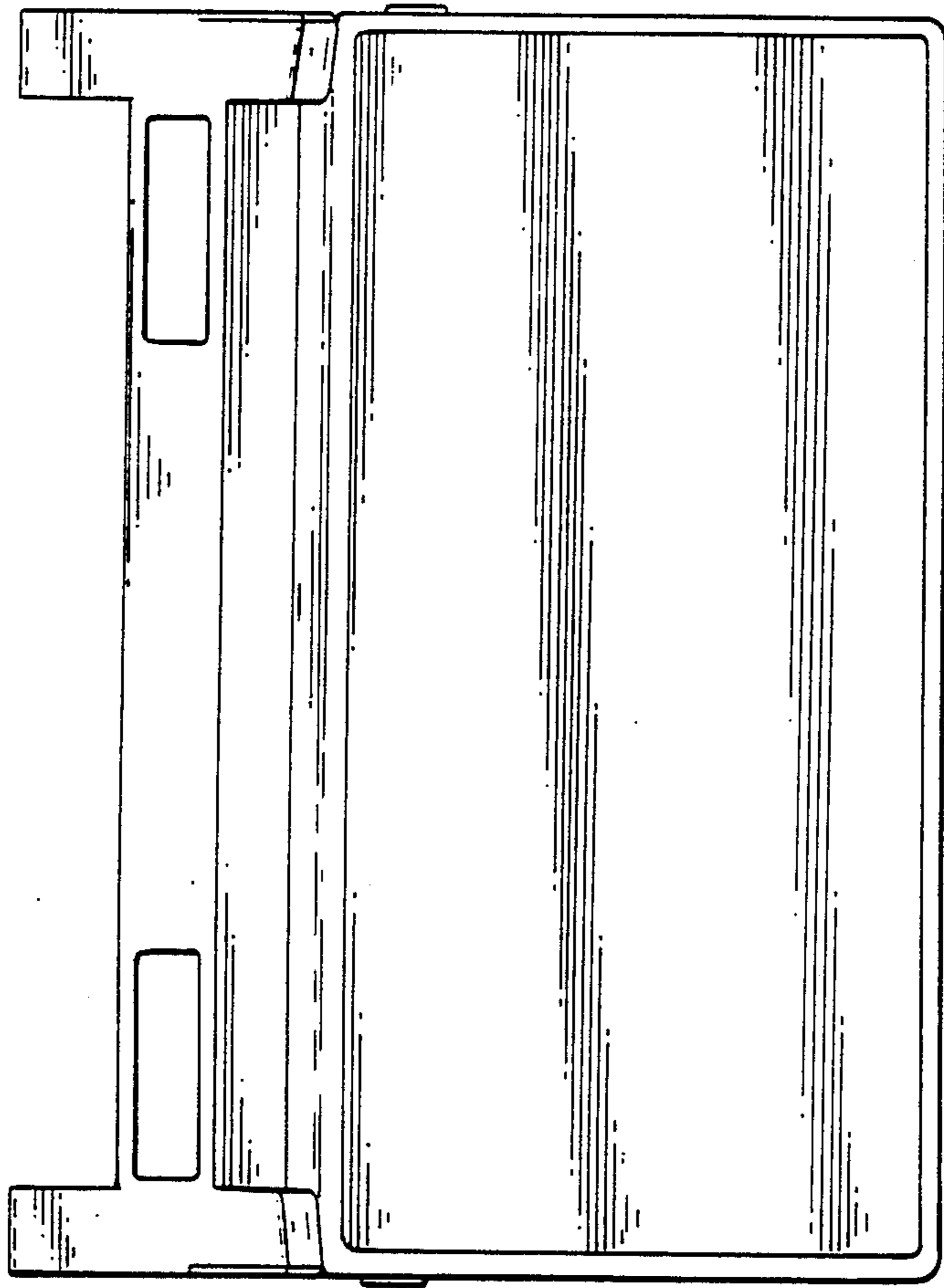


FIG. 3

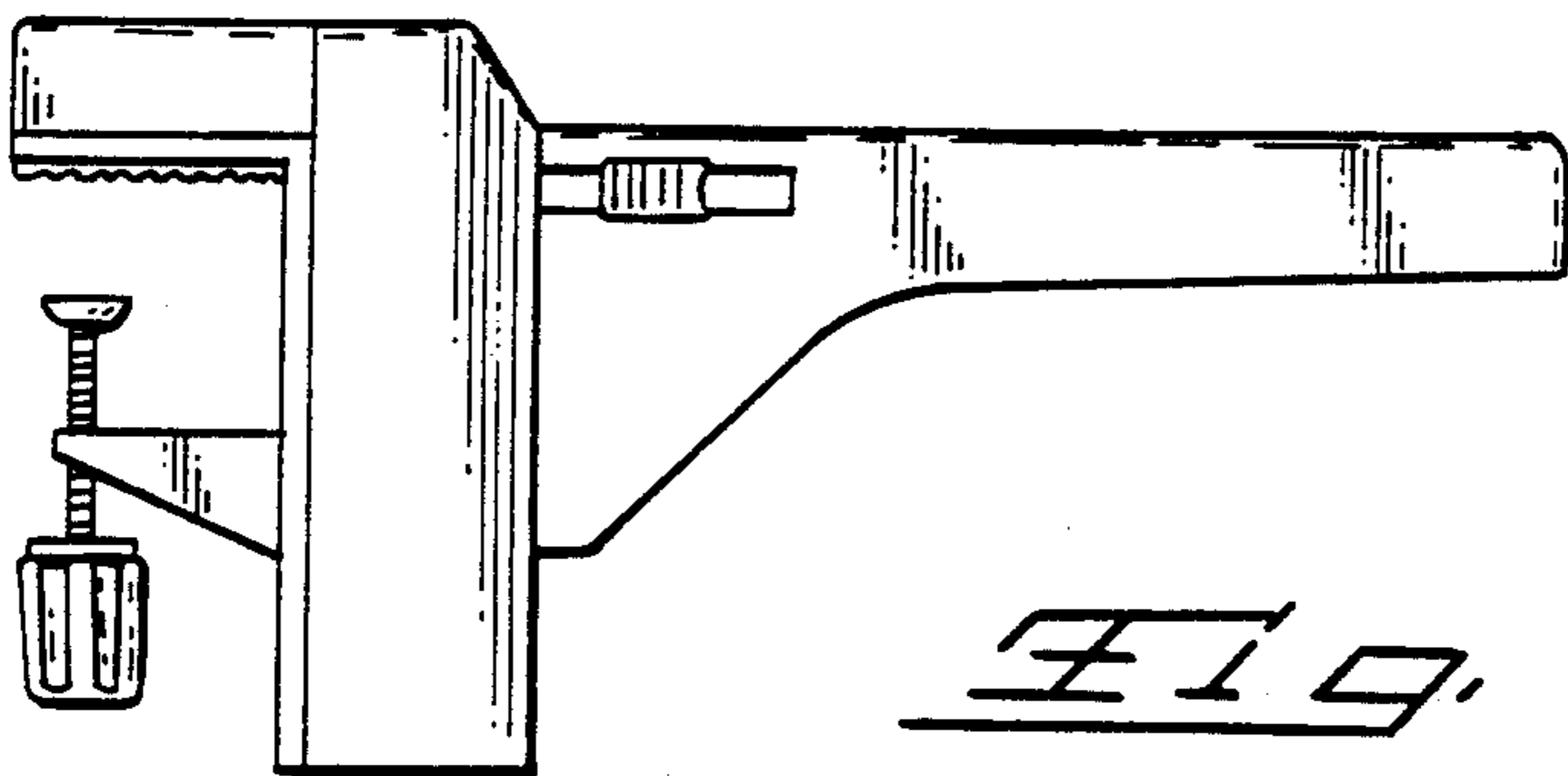


FIG. 4

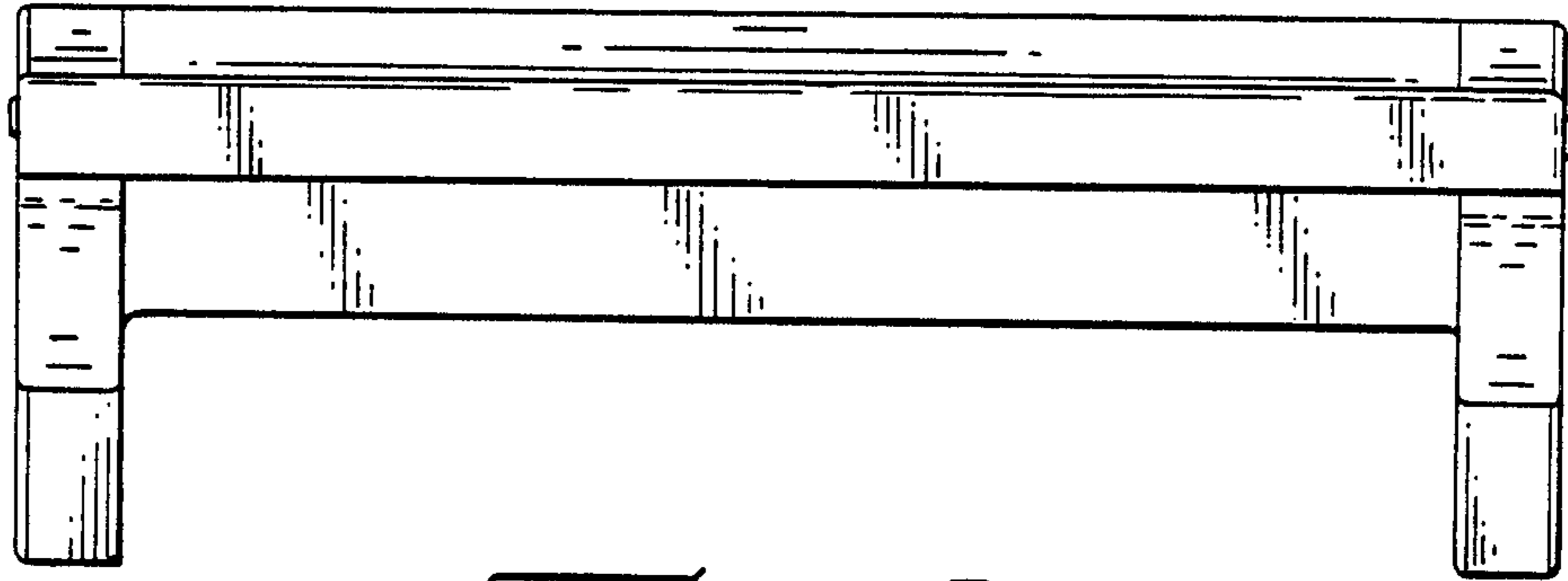


Fig. 5

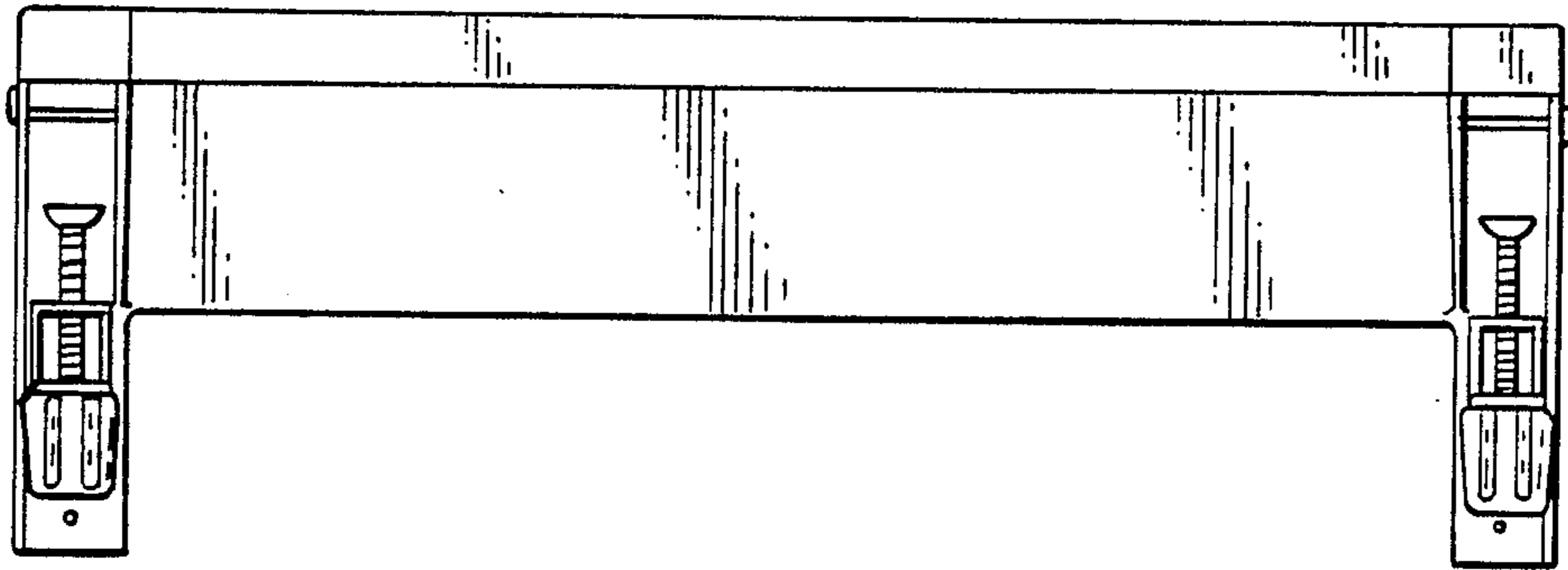


Fig. 6