

[54] CART

[76] Inventor: Roger J. Morrisette, 265 Woodstock Rd., Southbridge, Mass. 01550

[**] Term: 14 Years

[21] Appl. No.: 711,593

[22] Filed: Mar. 13, 1985

[52] U.S. Cl. D34/24

[58] Field of Search D34/24, 19, 25, 26; 280/655, 47.26, 47.25, 657, 656, 659, 47.18, 47.33, 652, 204

4,480,851 11/1984 St. Pierre 280/656
4,635,956 1/1987 Morrisette 280/47.26

Primary Examiner—James M. Gandy
Assistant Examiner—Kay H. Chin
Attorney, Agent, or Firm—Norman S. Blodgett; Gerry A. Blodgett

[57] CLAIM

The ornamental design for a cart, as shown and described.

DESCRIPTION

FIG. 1 is a left side elevation view of a cart showing my new design, the right side elevation view being a mirror image of that shown;

FIG. 2 is a front elevation view thereof;

FIG. 3 is a rear elevation view thereof;

FIG. 4 is a top plan view thereof; and

FIG. 5 is a bottom plan view thereof.

[56] References Cited

U.S. PATENT DOCUMENTS

| | | | | |
|------------|---------|------------|-------|-----------|
| D. 288,497 | 2/1987 | Morrisette | | D34/24 |
| 3,854,747 | 12/1974 | Johnston | | 280/659 |
| 4,253,677 | 3/1981 | Wissler | | 280/656 |
| 4,316,615 | 2/1982 | Willette | | 280/47.18 |

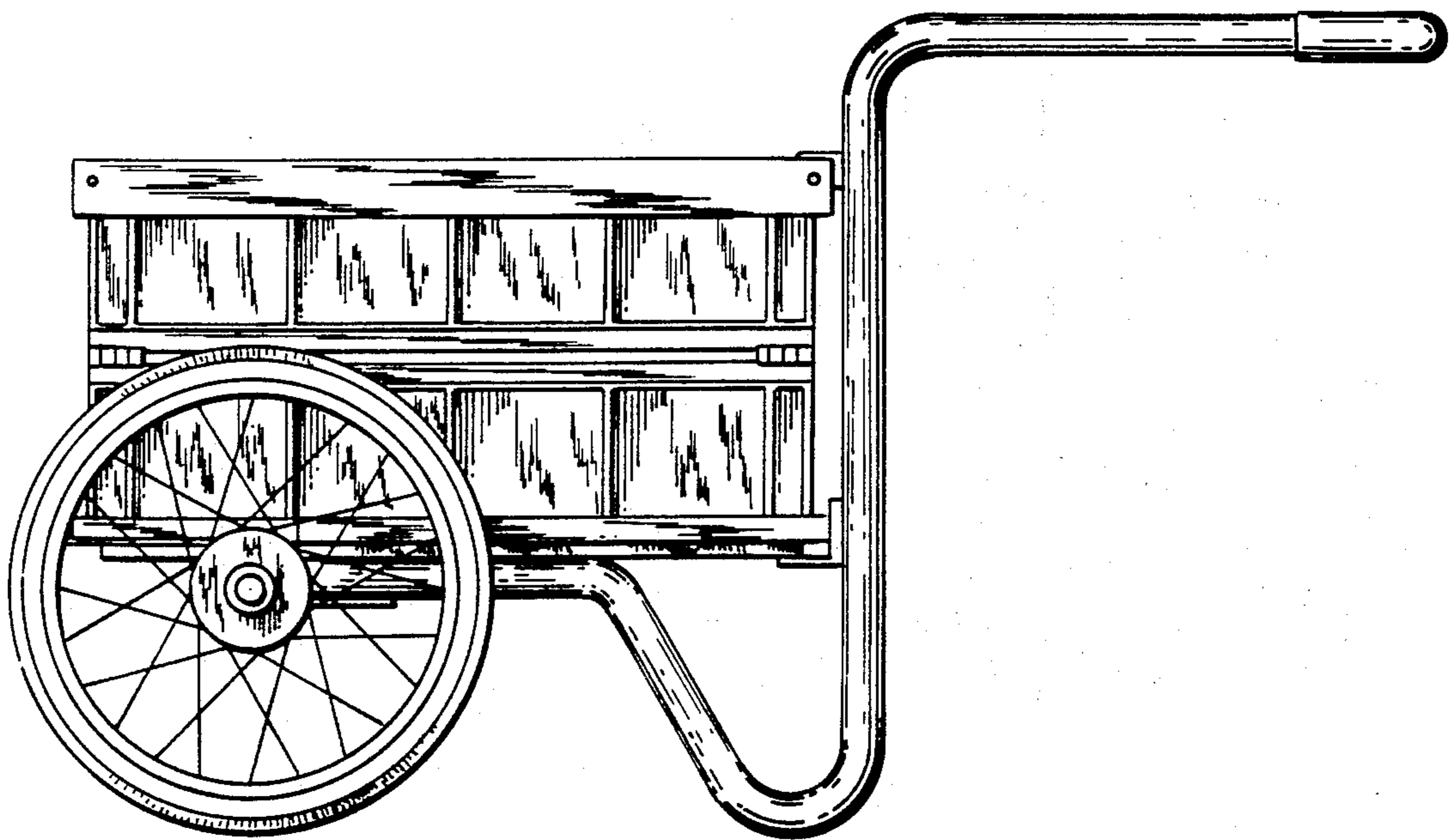


FIG. 1

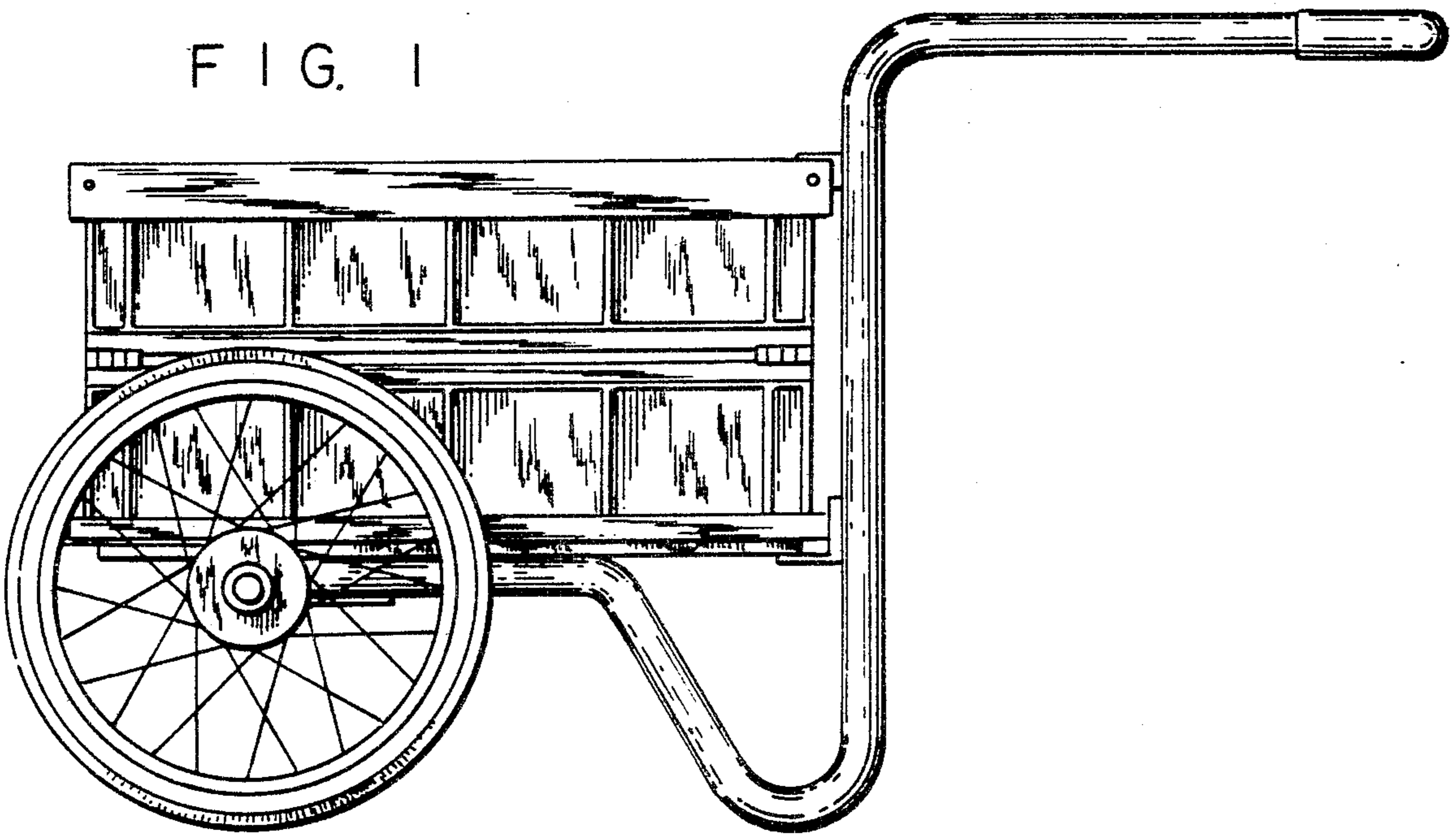


FIG. 2

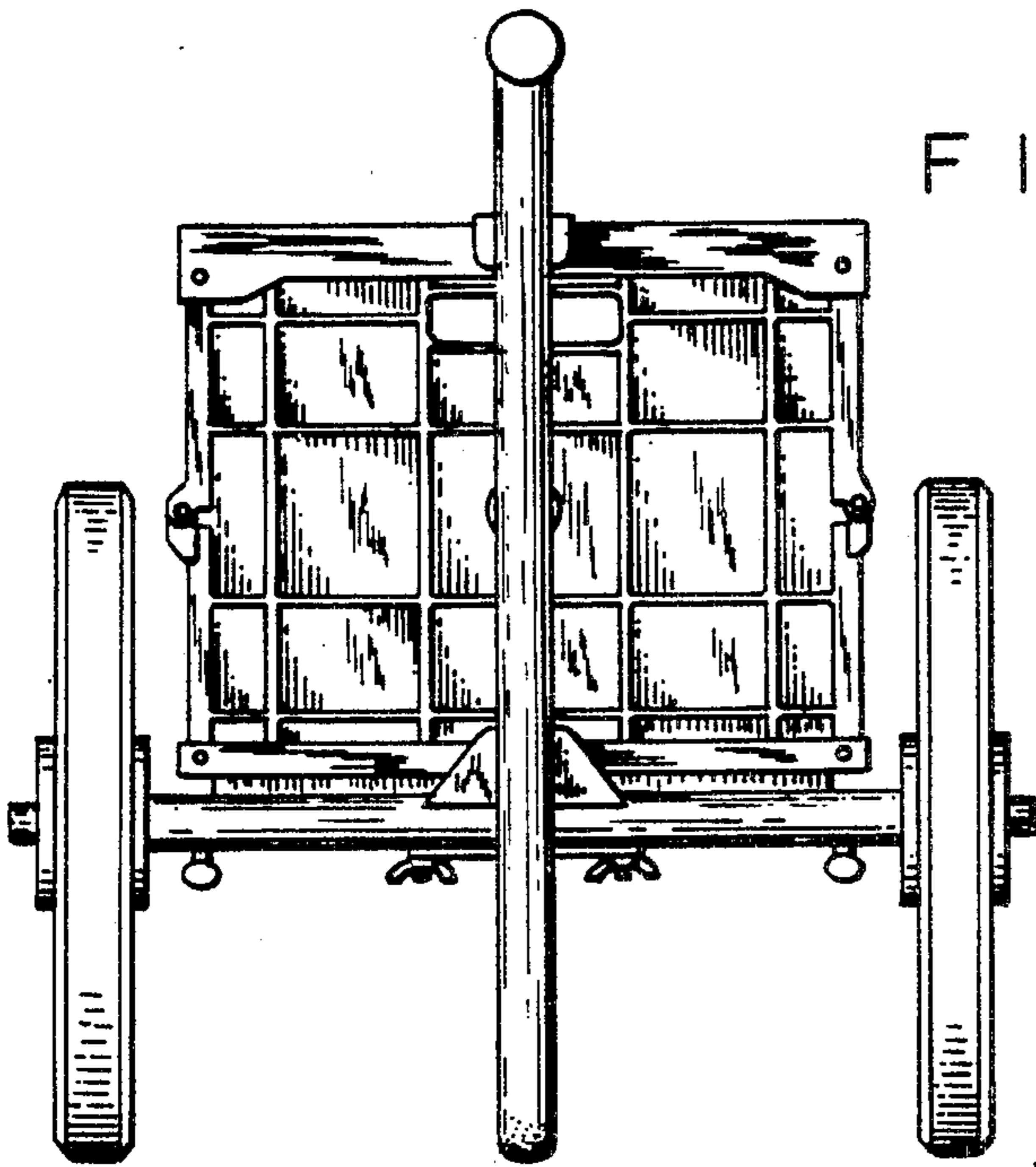
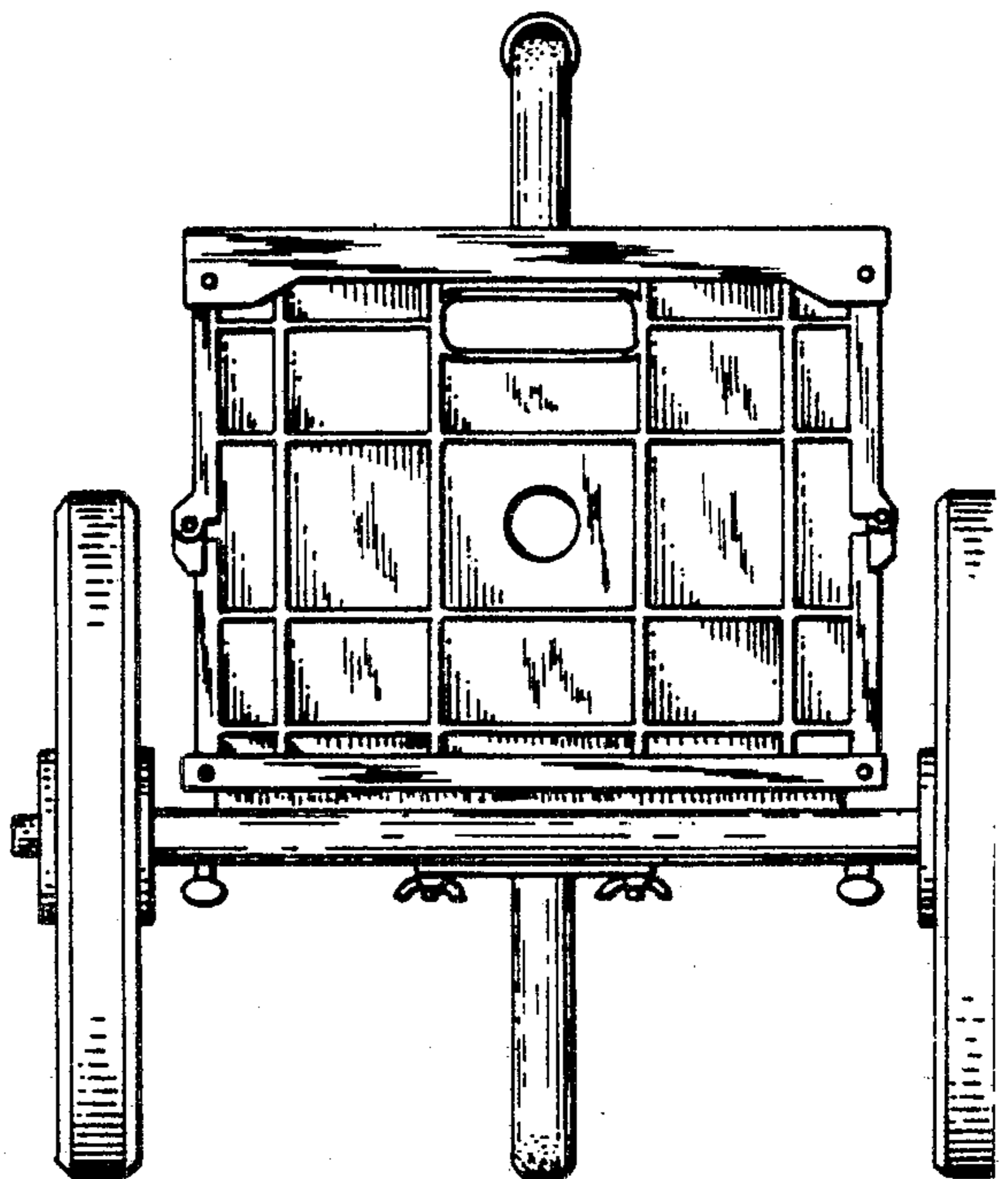


FIG. 3



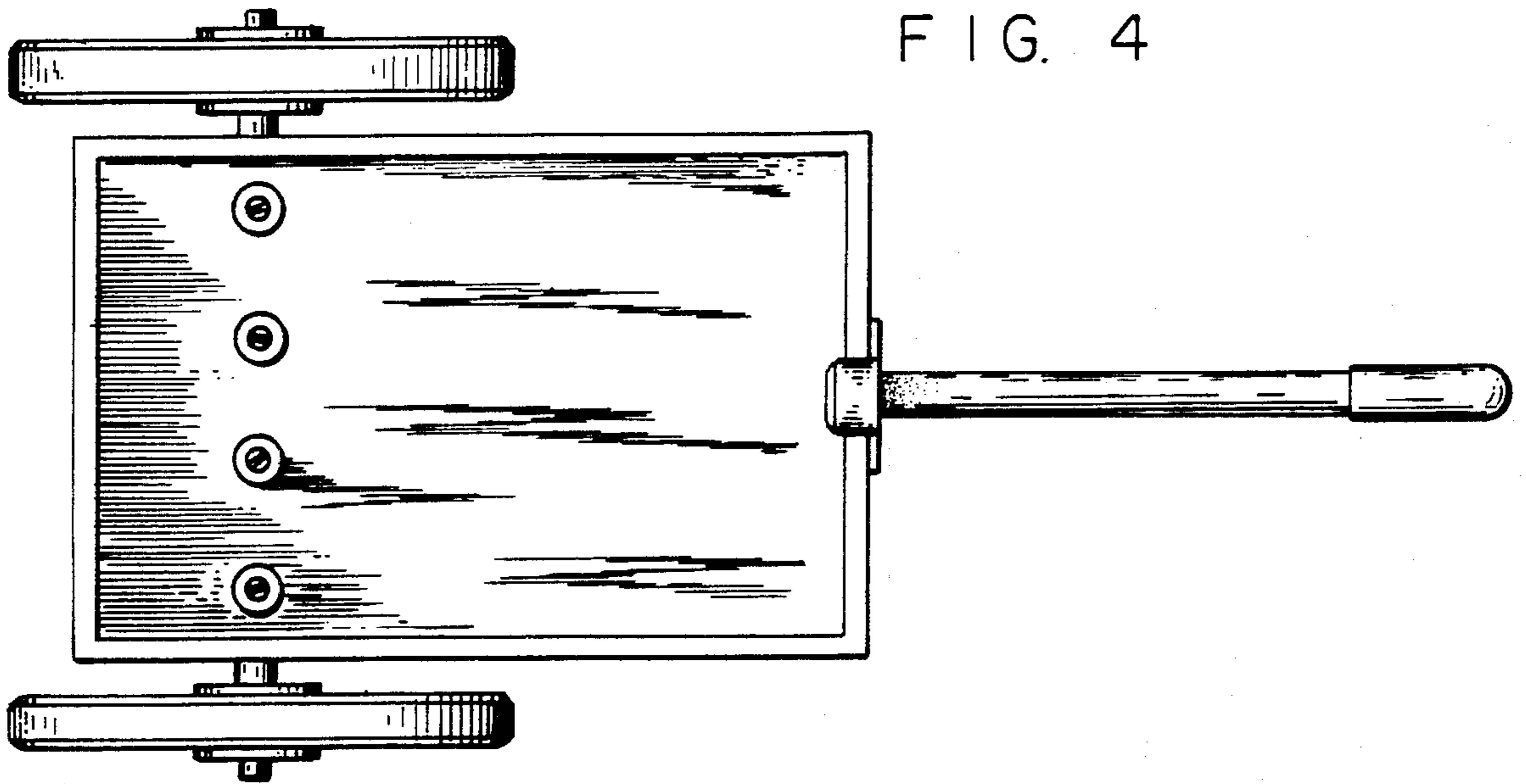


FIG. 4

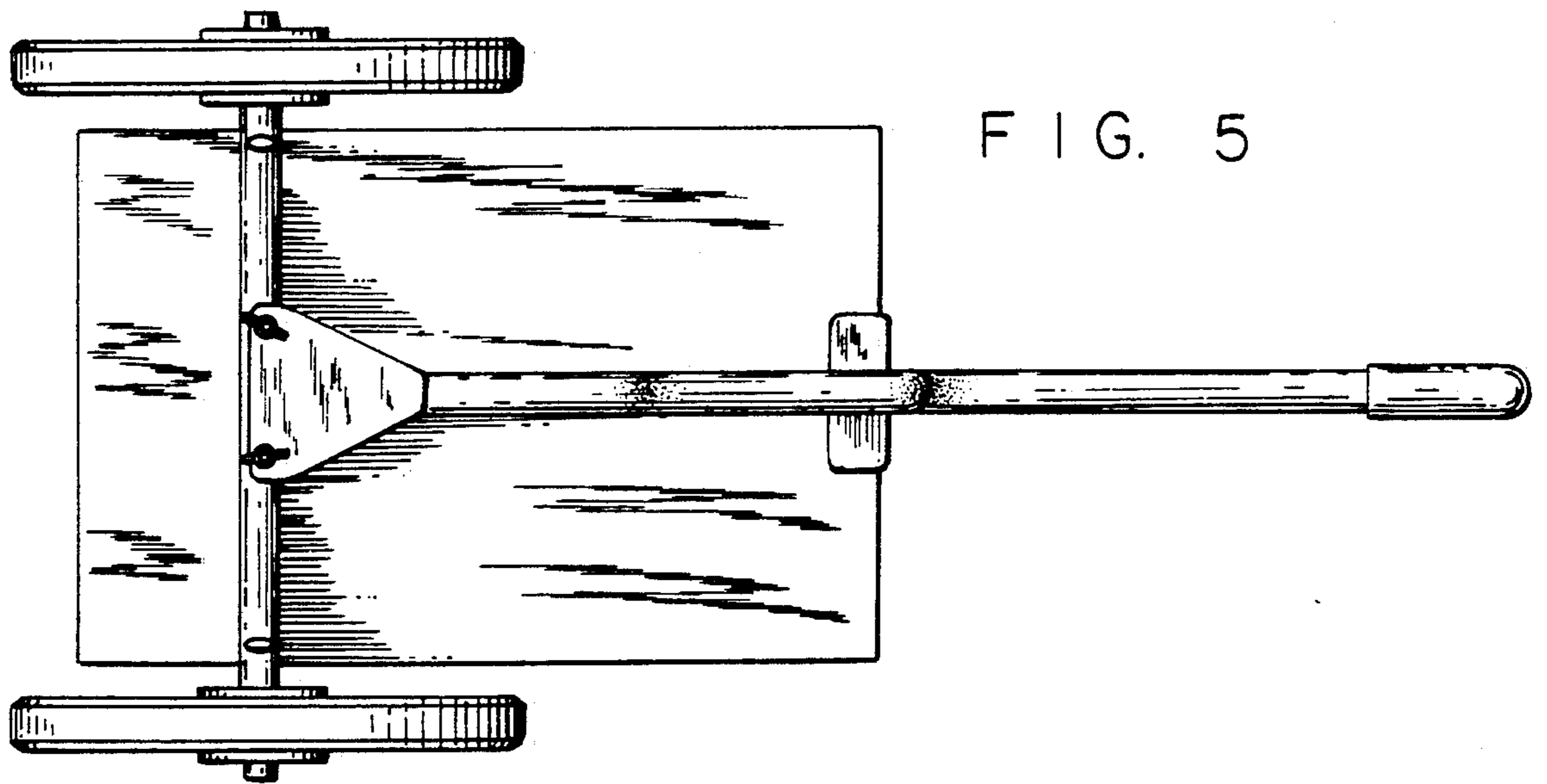


FIG. 5