

[54] HAIR DRYER

[75] Inventor: Rudolf Maass, Solingen, Fed. Rep. of Germany

[73] Assignee: Robert Krups Stiftung & Co. KG., Solingen, Fed. Rep. of Germany

[**] Term: 14 Years

[21] Appl. No.: 692,935

[22] Filed: Jan. 18, 1985

[30] Foreign Application Priority Data

Aug. 14, 1984 [DE] Fed. Rep. of Germany 5MR9482

[52] U.S. Cl. D28/12

[58] Field of Search D28/9-19; 219/222; 34/96-101; 132/7, 9

[56] References Cited

U.S. PATENT DOCUMENTS

D. 226,739	4/1973	Dobyin	D28/13
D. 238,618	1/1976	Nagelkerke	D28/18
D. 282,013	12/1985	Kerschgens	D28/13
3,946,498	3/1976	Waters et al.	34/99

Primary Examiner—Louis S. Zarfaz
Attorney, Agent, or Firm—Peter K. Kontler

[57] CLAIM

The ornamental design of a hair dryer, as shown.

DESCRIPTION

FIG. 1 is a perspective view of a hair dryer showing my new design;

FIG. 2 is a front elevational view thereof

FIG. 3 is one side elevational view thereof;

FIG. 4 is a top plan view thereof;

FIG. 5 is a bottom plan view thereof;

FIG. 6 is a rear elevational view thereof; and

FIG. 7 is the other side elevational view thereof.

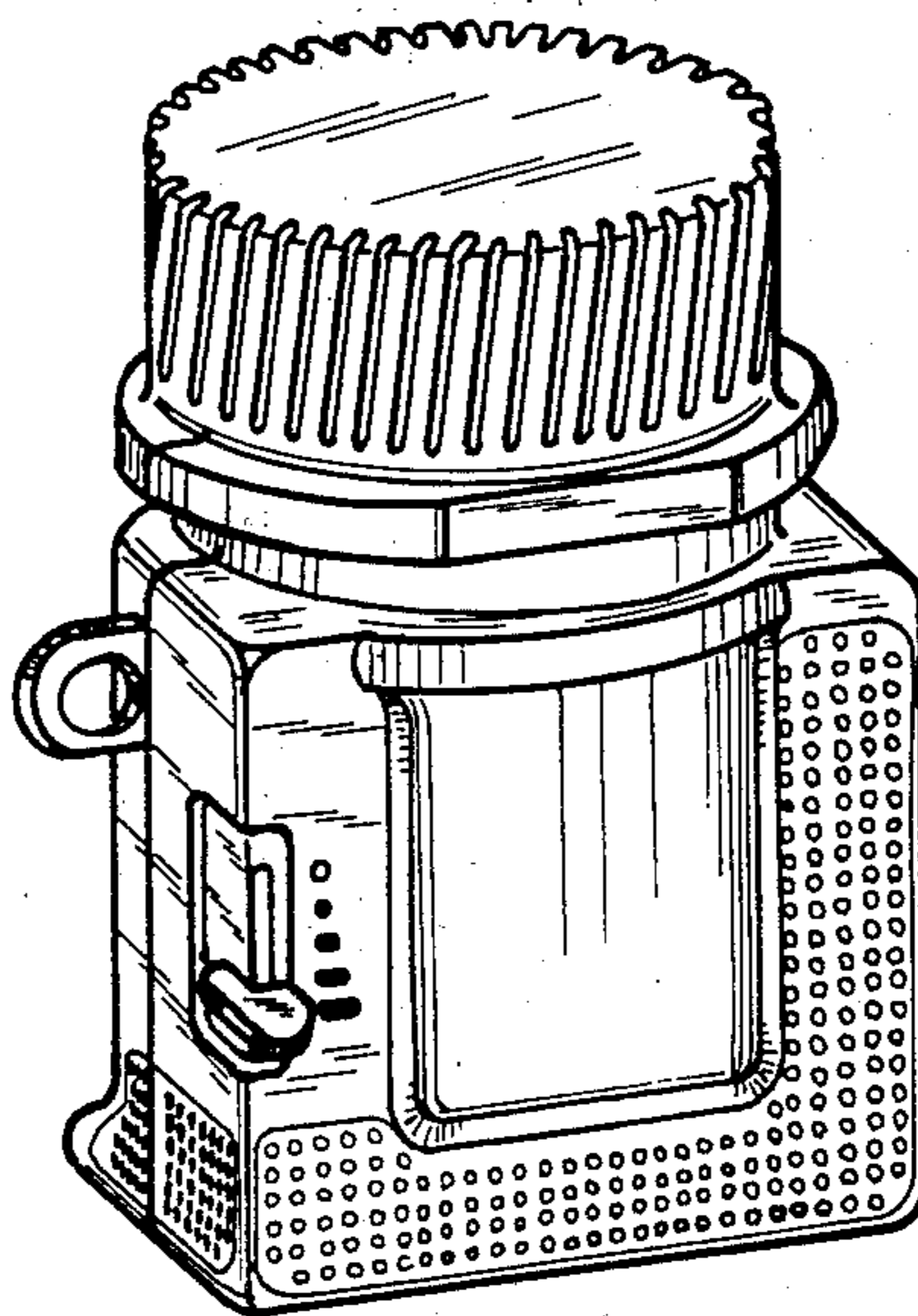


FIG. 1

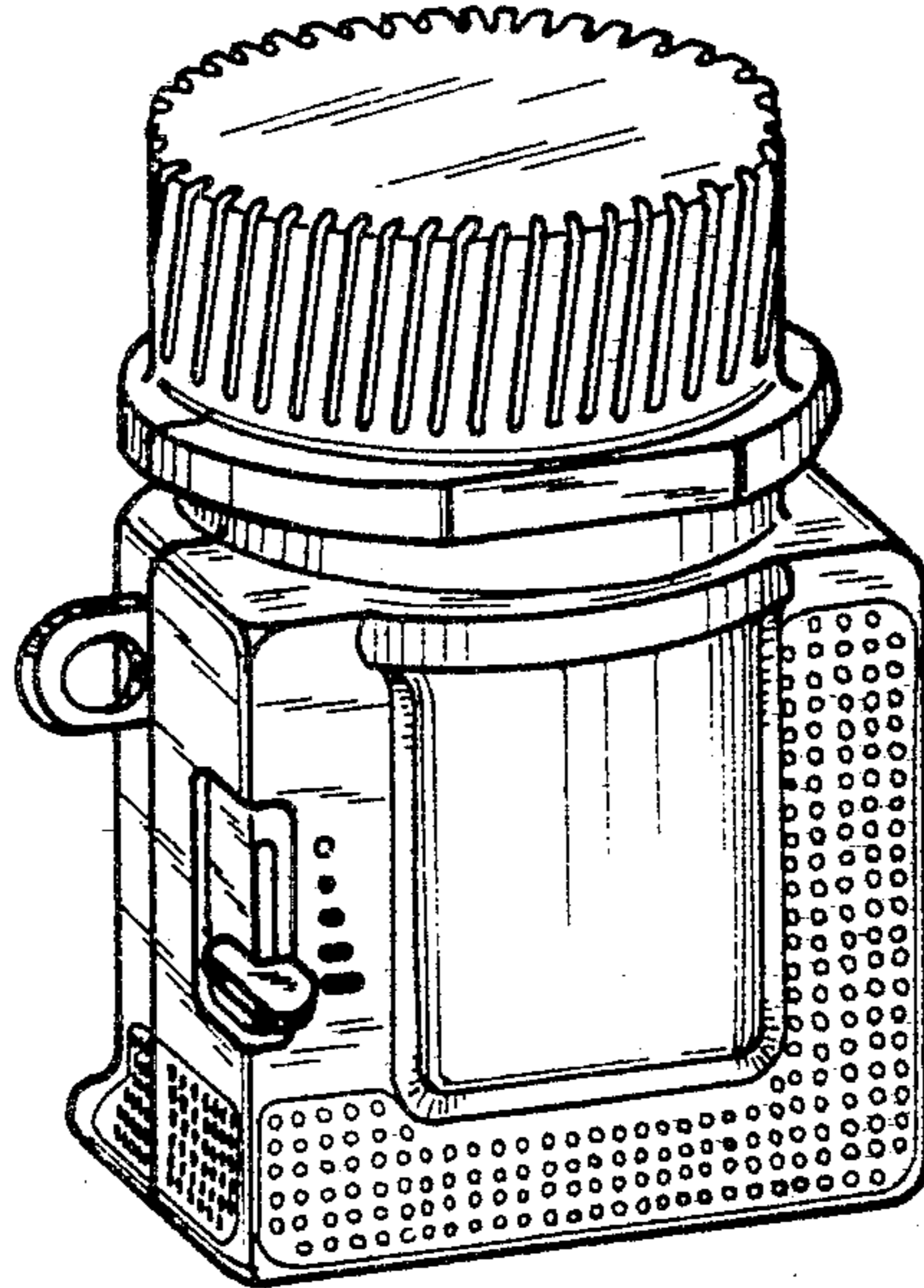


FIG. 2

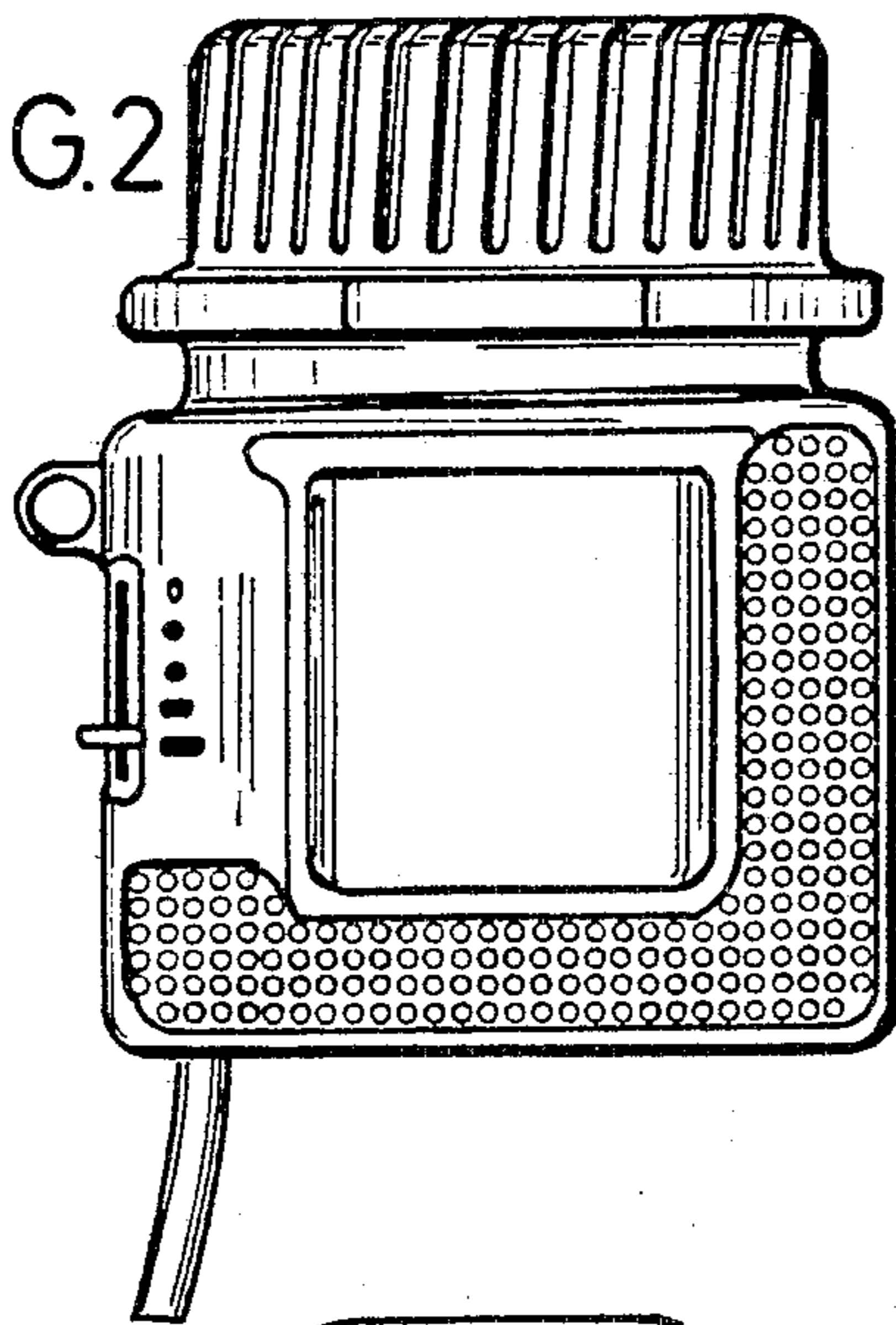


FIG. 3

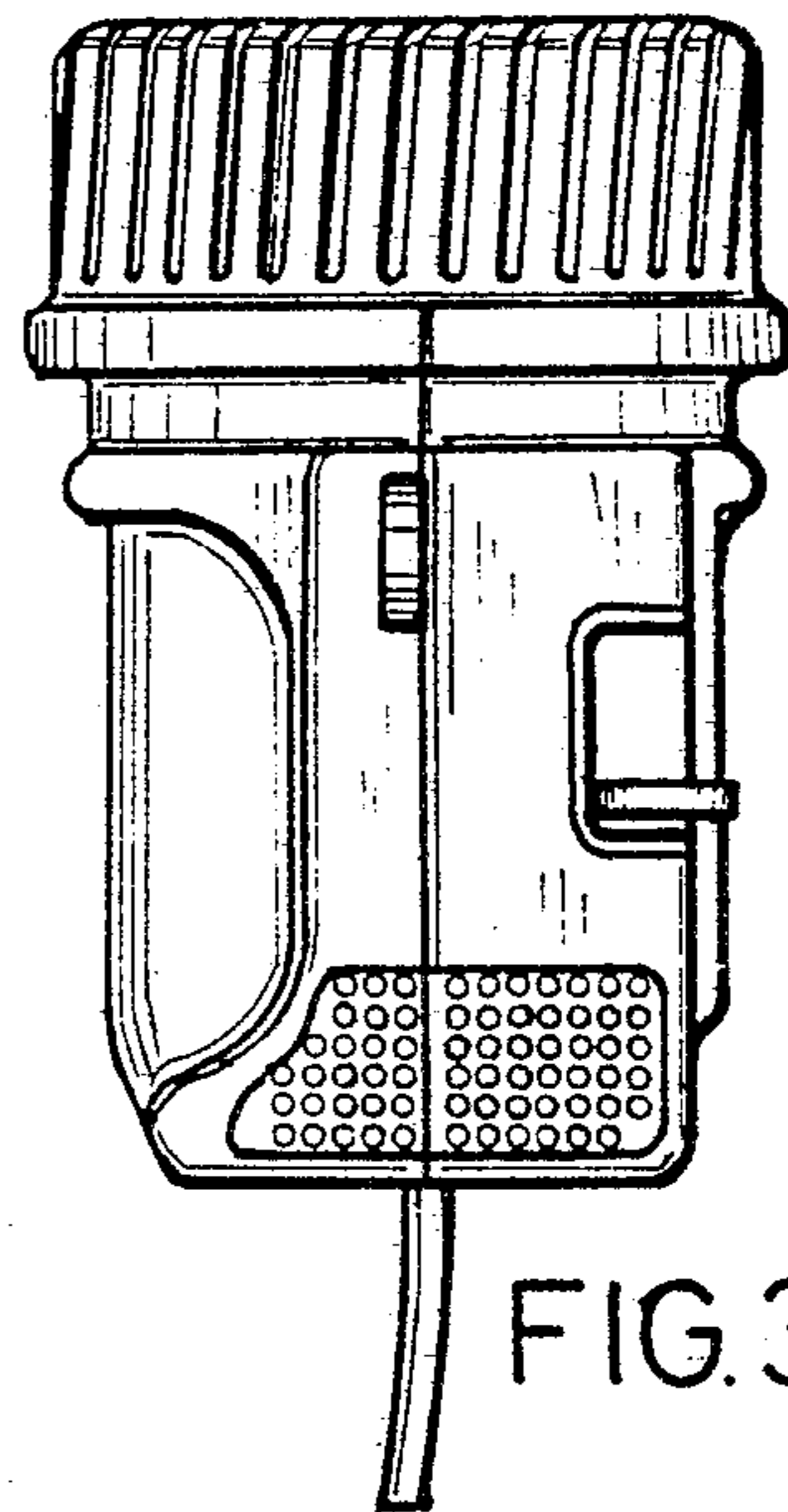
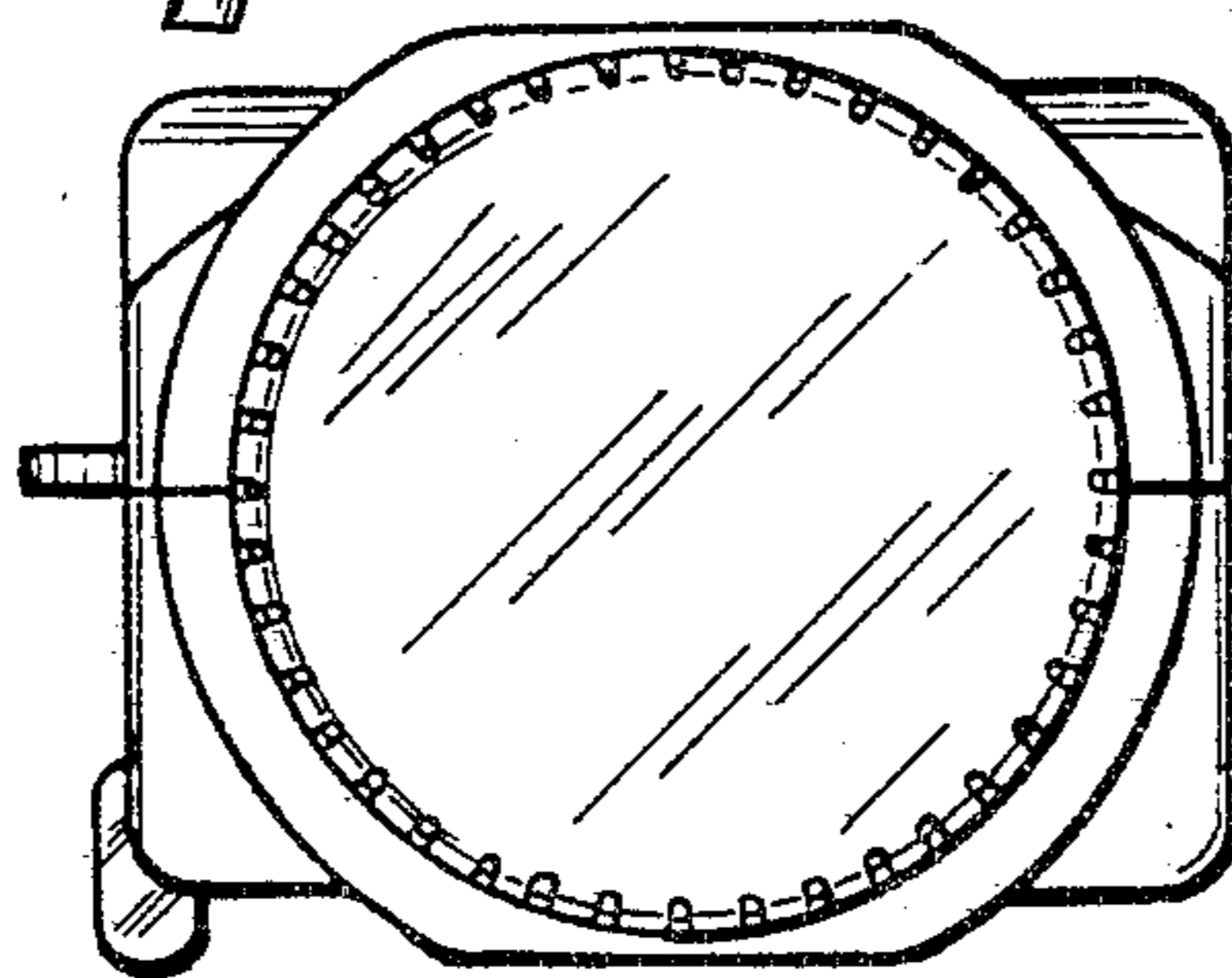


FIG. 4



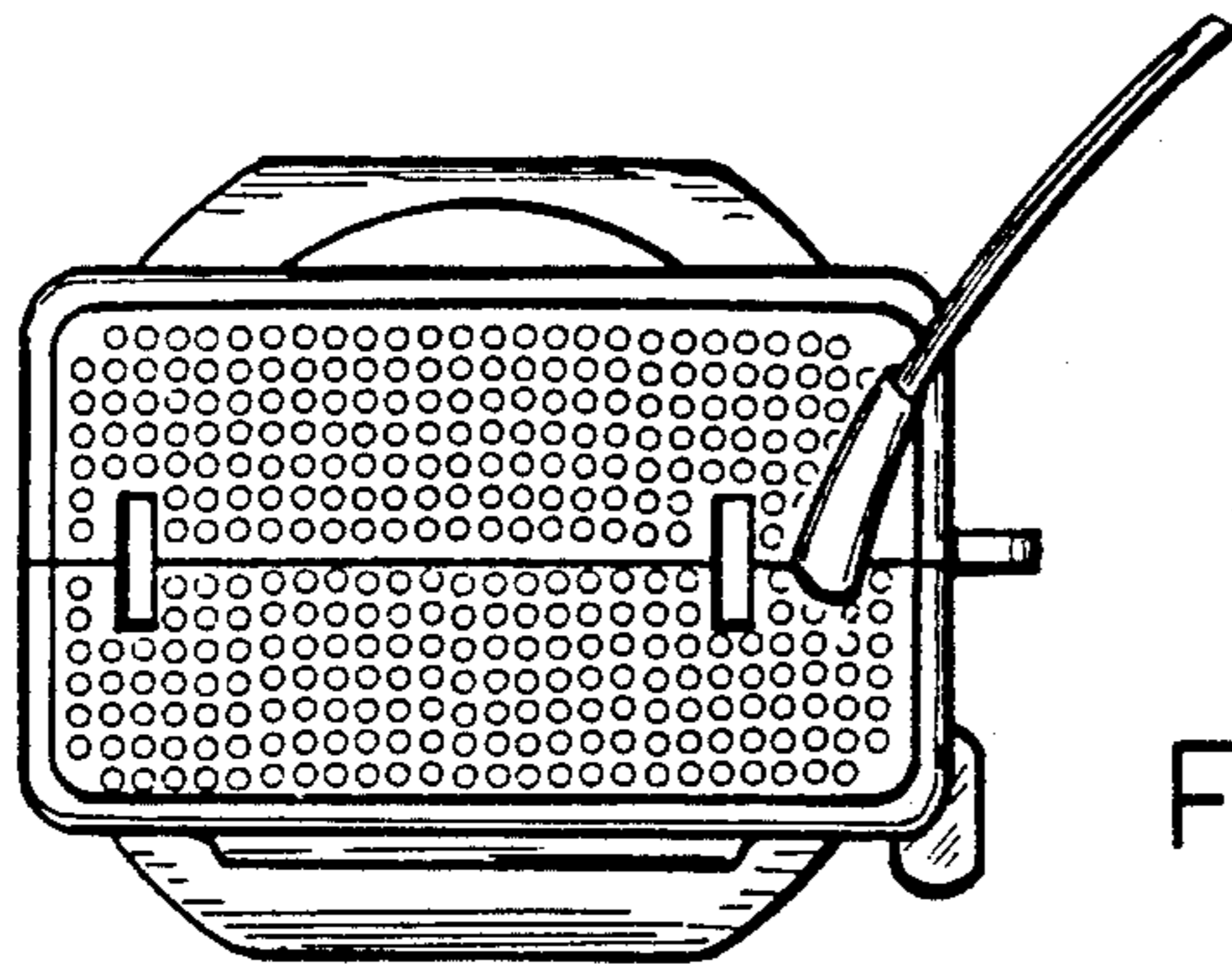


FIG. 5

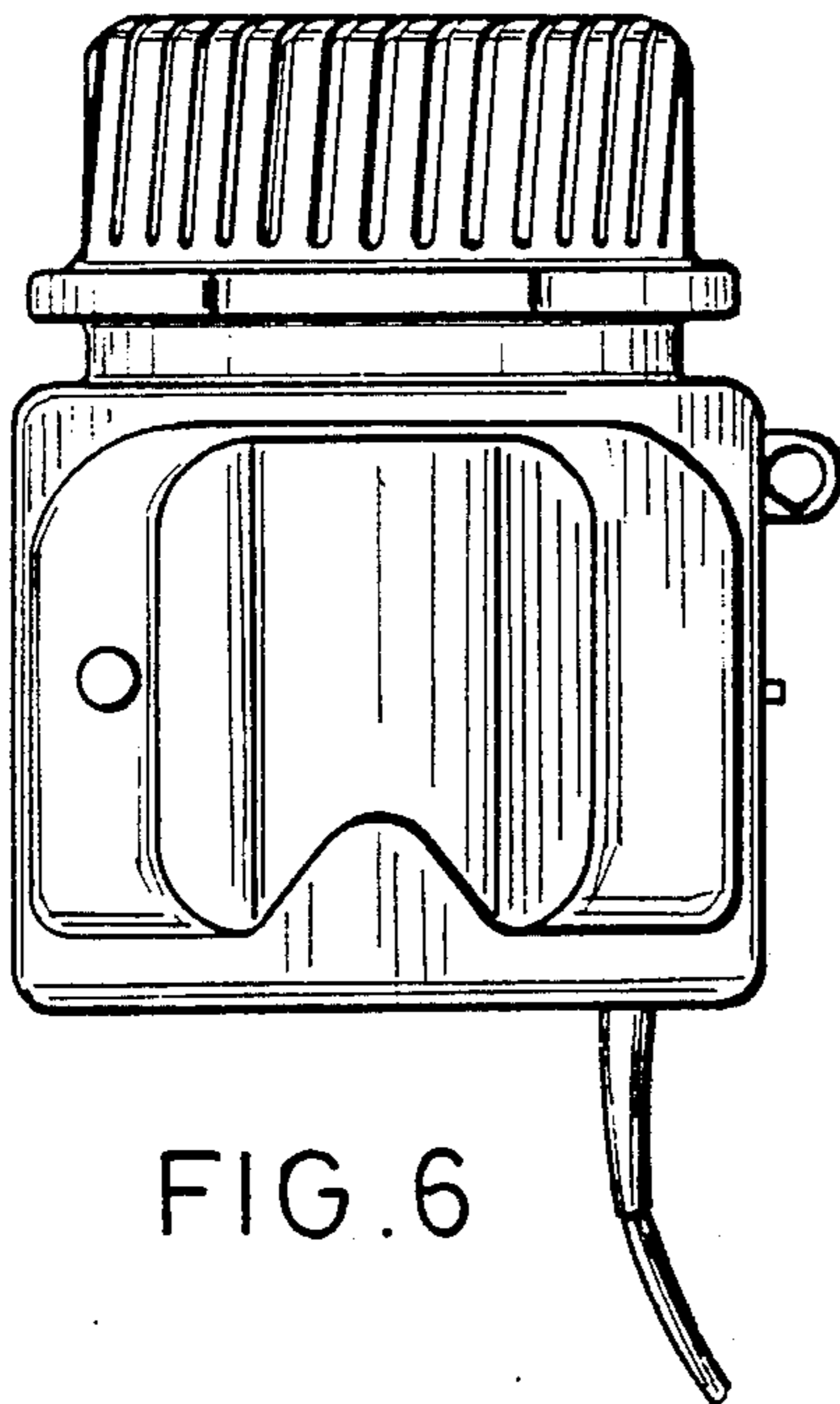


FIG. 6

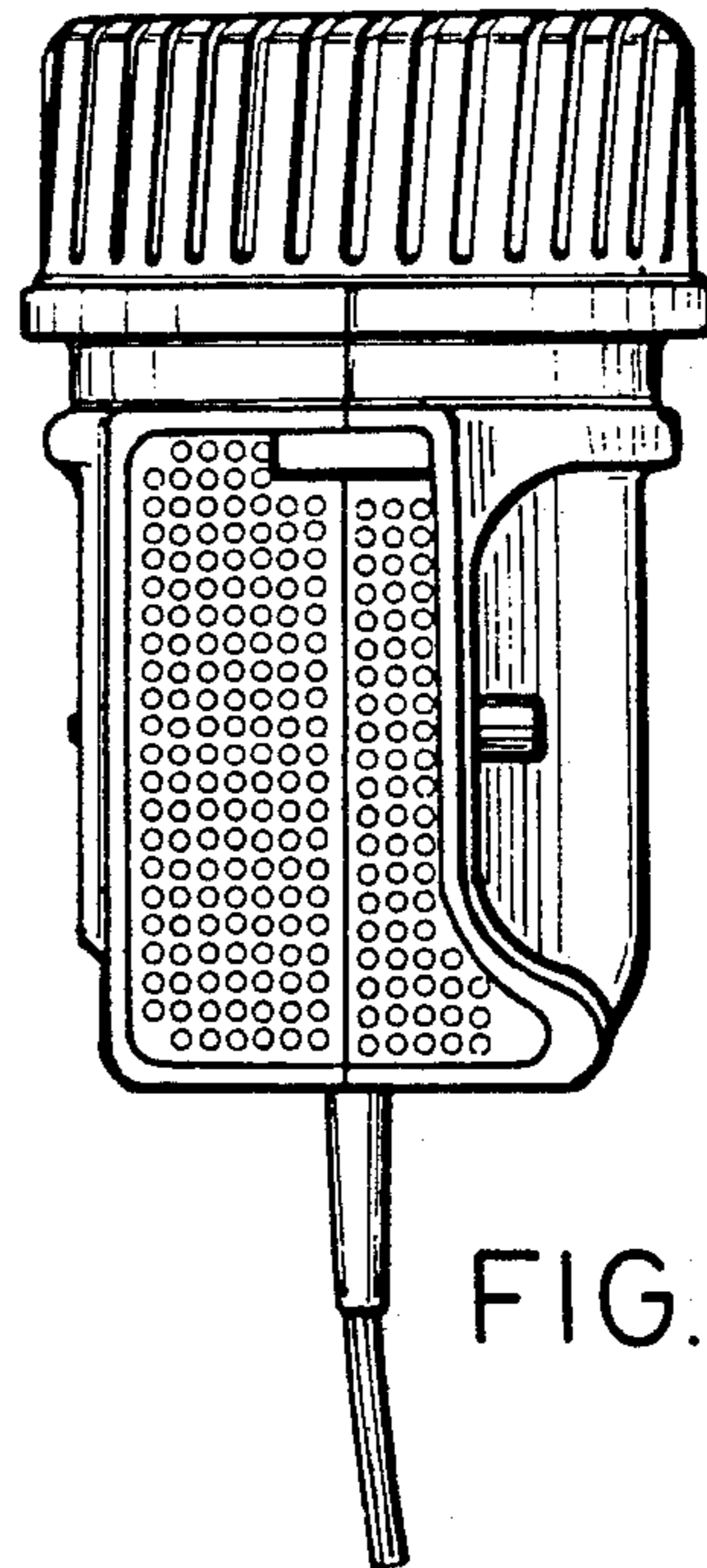


FIG. 7