

United States Patent [19]

Decker, deceased et al.

[11] Patent Number: **Des. 292,324**

[45] Date of Patent: **** Oct. 13, 1987**

[54] HOLDER FOR CIGARETTES OR CIGARS

[76] Inventors: **Mark R. Decker, deceased**, late of Newark, N.J.; by **Margaret Decker, Administratrix**, 32 Bayard Pl., Newark, N.J. 07106

[**] Term: **14 Years**

[21] Appl. No.: **712,412**

[22] Filed: **Mar. 15, 1985**

[52] U.S. Cl. **D27/7**

[58] Field of Search **D27/2, 7; 131/17 S, 131/257, 187, 191**

[56] References Cited

U.S. PATENT DOCUMENTS

D. 170,320	9/1953	Holge	D27/7
1,781,553	11/1930	McClees	131/17 S
1,858,938	5/1932	Raftey	131/17 S
2,070,831	2/1937	Grundon	131/17 S
2,711,743	6/1955	Gibbs	131/17 S
2,761,456	9/1956	Pirrone	131/17 S
3,100,493	8/1963	Rundle	131/17 S
4,289,149	9/1981	Kyriakou	131/17 S

FOREIGN PATENT DOCUMENTS

454934 3/1949 Canada 131/17 S
22757 10/1896 United Kingdom 131/17 S

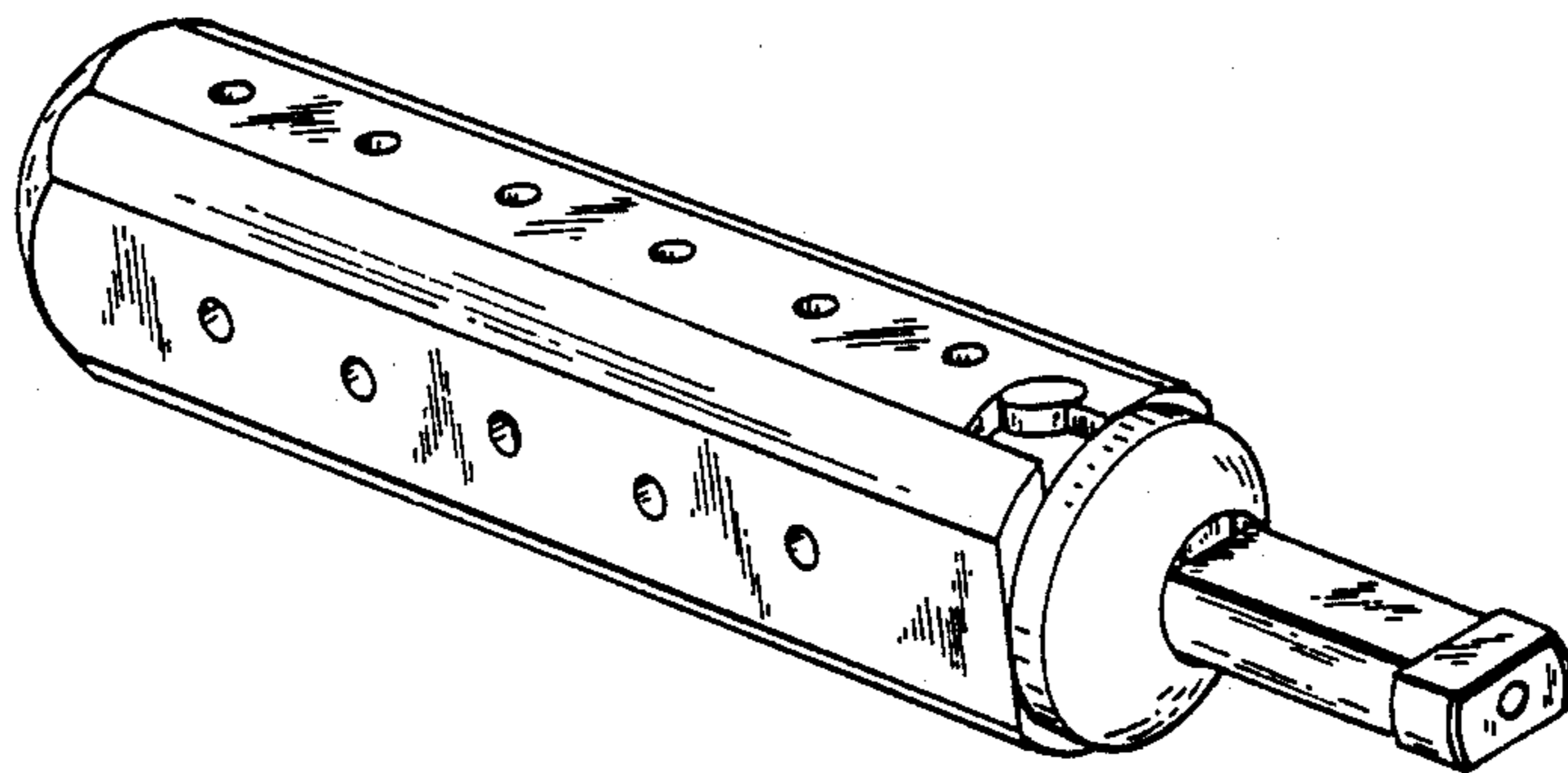
Primary Examiner—Catherine E. Kemper
Attorney, Agent, or Firm—Martha G. Pugh

[57] CLAIM

The ornamental design for a holder for cigarettes or cigars, substantially as shown and described.

DESCRIPTION

FIG. 1 is a perspective view of a holder for cigarettes or cigars, showing my new design;
FIG. 2 is a top plan view thereof;
FIG. 3 is a side elevational view thereof;
FIG. 4 is an end elevational view thereof;
FIG. 5 is an elevational view of the opposite end thereof;
FIG. 6 is an exploded perspective view thereof. The broken line showing of the cigarette is for illustrative purposes only, and is not part of my design;
FIG. 7 is a bottom plan view of the device as shown in FIG. 1.



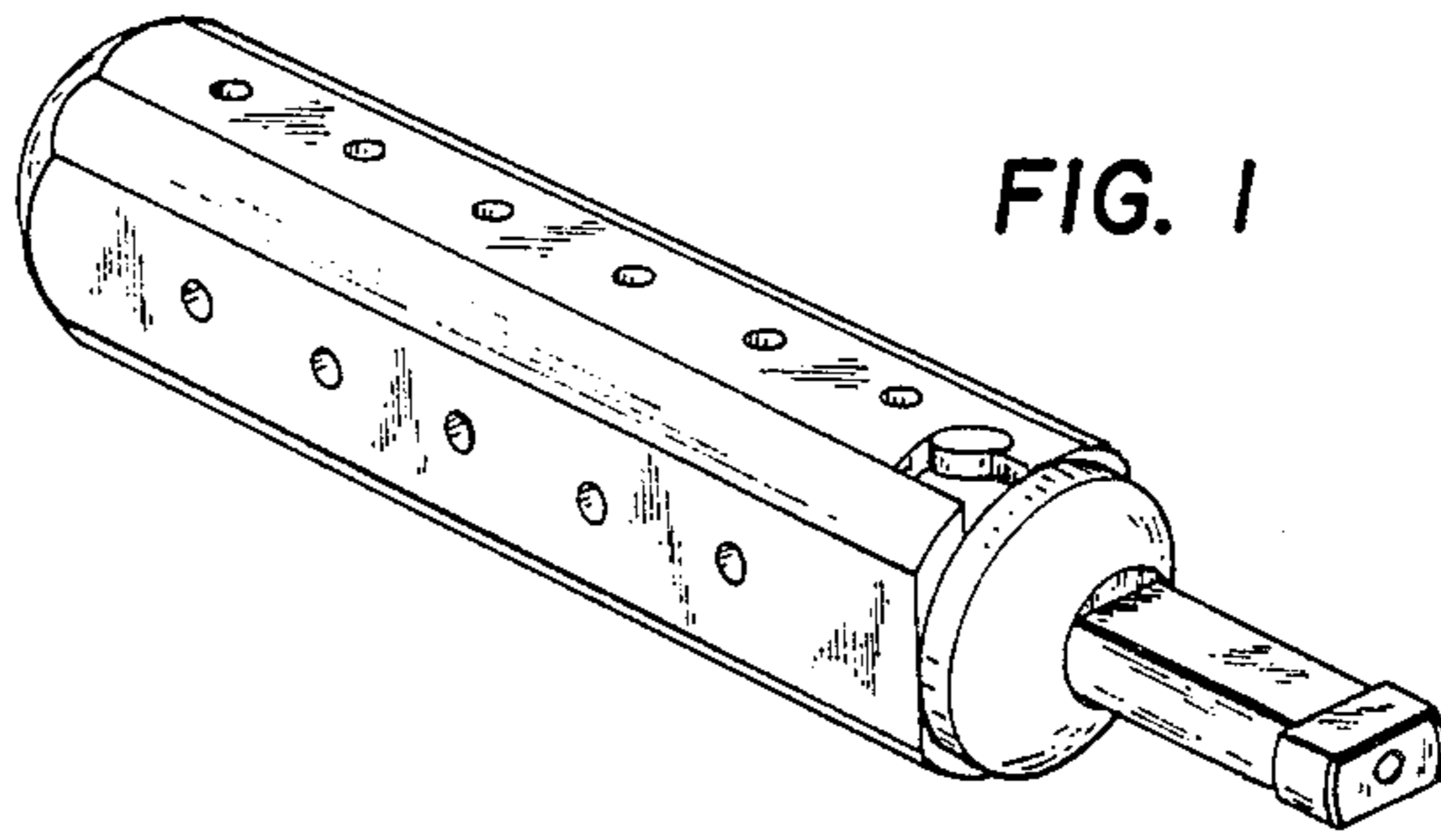


FIG. 1

FIG. 2

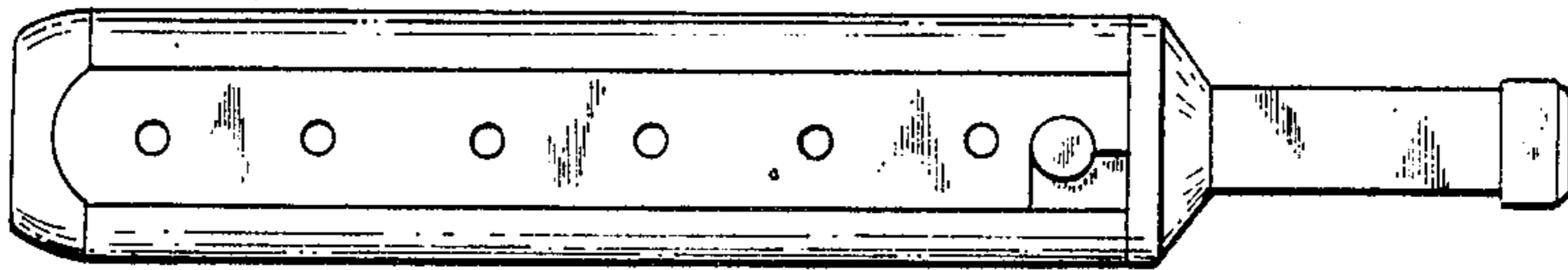


FIG. 3

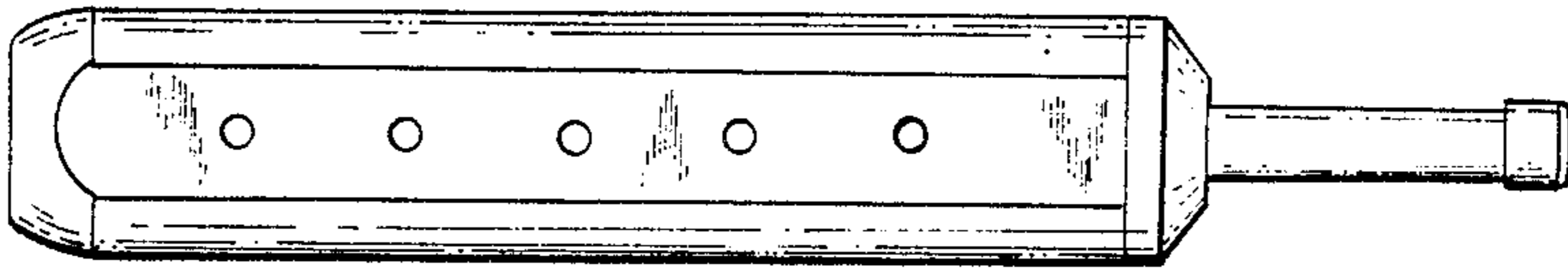


FIG. 4

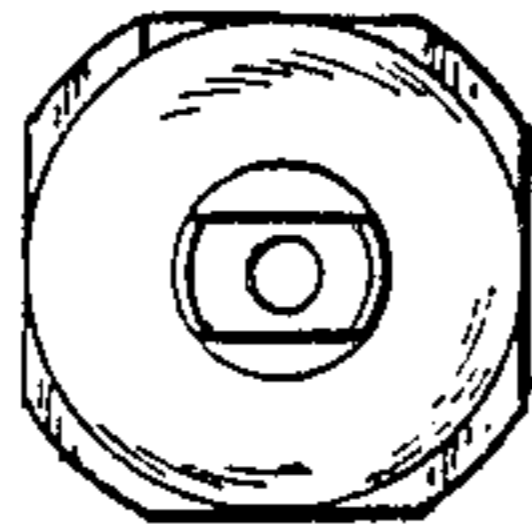


FIG. 5

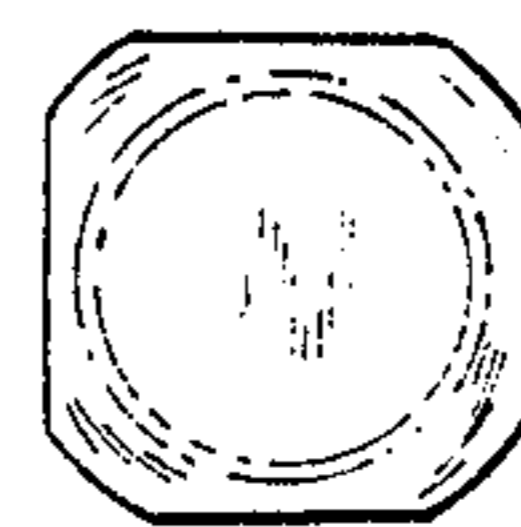


FIG. 6

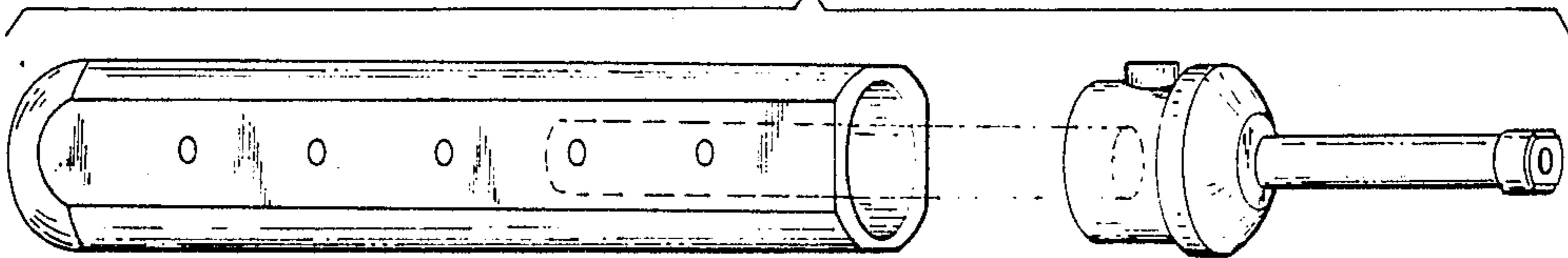


FIG. 7

