

[54] BASE FOR A LIGHTING FIXTURE

[75] Inventor: Leonardus A. C. Krol, Gorkum, Netherlands

[73] Assignee: U.S. Philips Corporation, New York, N.Y.

[\*\*] Term: 14 Years

[21] Appl. No.: 776,324

[22] Filed: Sep. 16, 1985

[30] Foreign Application Priority Data

Mar. 29, 1985 [WO] World Int. Prop. O. ... DM/005.015

[52] U.S. Cl. .... D26/75; D26/72

[58] Field of Search ..... D26/72, 75-79, D26/80-92; 362/217, 219, 220, 222, 223, 362, 404, 408

[56] References Cited

U.S. PATENT DOCUMENTS

D. 188,436	7/1960	Budke et al. ....	D26/77
D. 218,356	8/1970	Bobrick .....	D26/76
3,211,905	10/1965	Picha et al. ....	362/222

OTHER PUBLICATIONS

Illuminating Engineering, 1-1963, p. 17A, Polaris Fluorescent Fixture.

Primary Examiner—Susan J. Lucas  
Attorney, Agent, or Firm—Thomas A. Briody; William J. Streeter; Rolf E. Schneider

[57] CLAIM

The ornamental design for a base for a lighting fixture, as shown and described.

DESCRIPTION

FIG. 1 is a front, bottom and right side perspective view of a base for a lighting fixture showing new design; FIG. 2 is a bottom plan view thereof on an enlarged scale; FIG. 3 is a top plan view thereof on an enlarged scale; FIG. 4 is a front elevational view thereof on an enlarged scale; FIG. 5 is a rear elevational view thereof on an enlarged scale; FIG. 6 is a right side elevational view thereof on an enlarged scale; and FIG. 7 is a left side elevational view thereof on an enlarged scale.

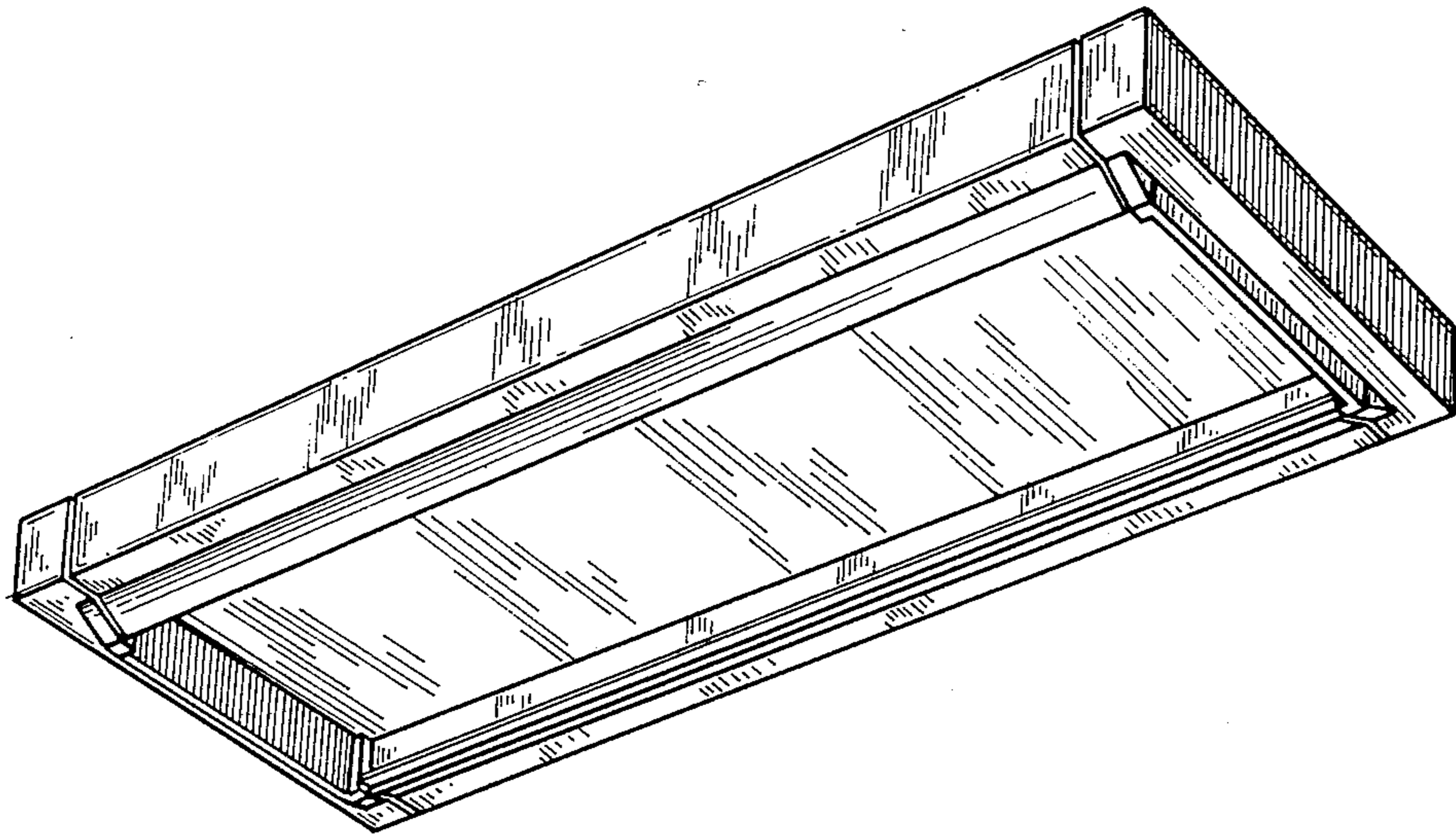


FIG. 1

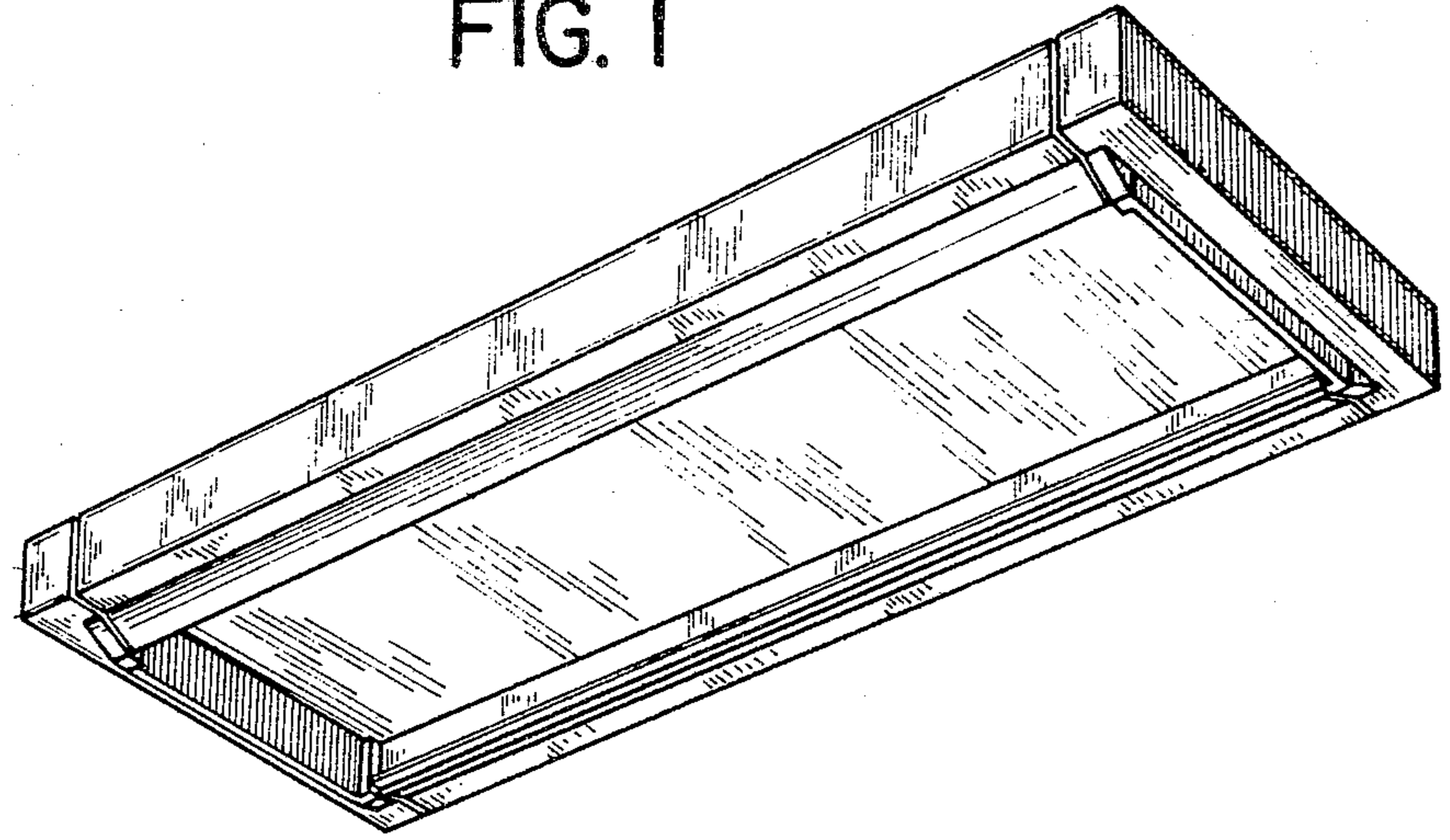


FIG. 2

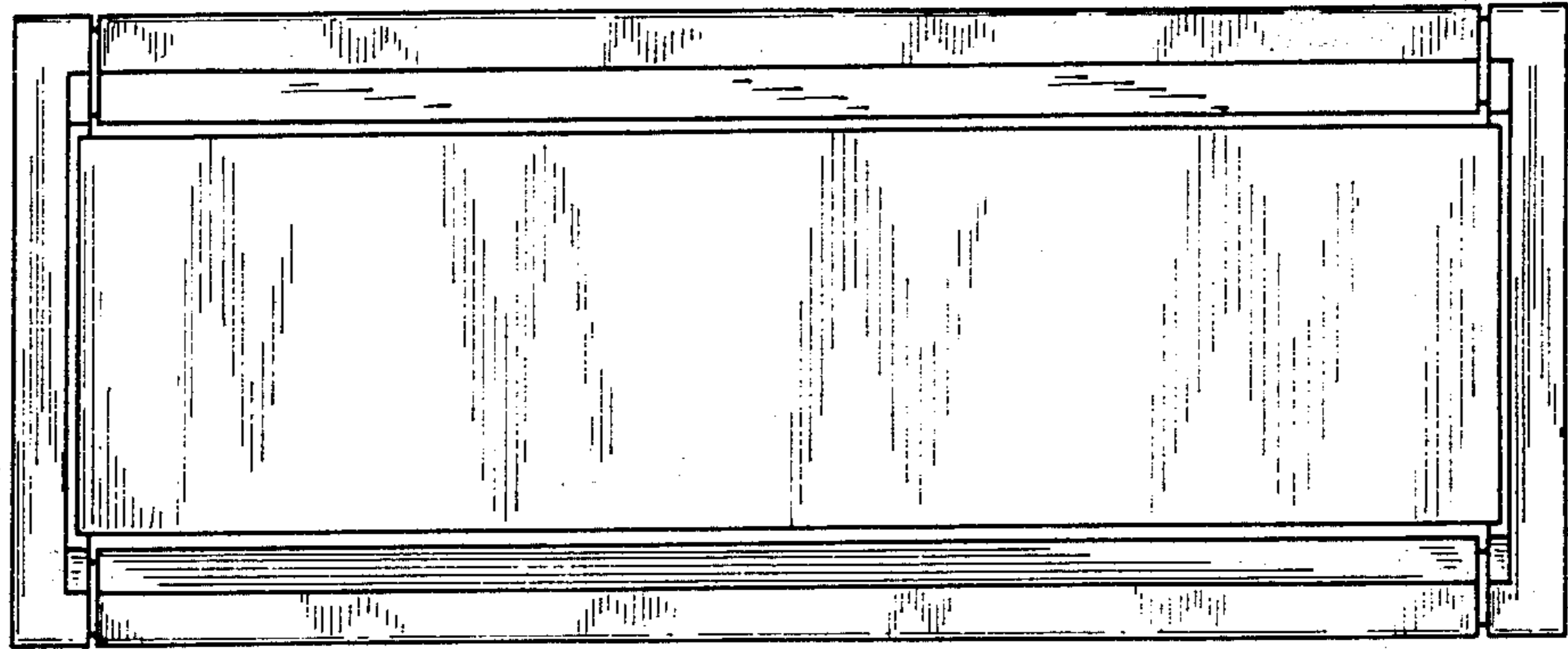


FIG. 3

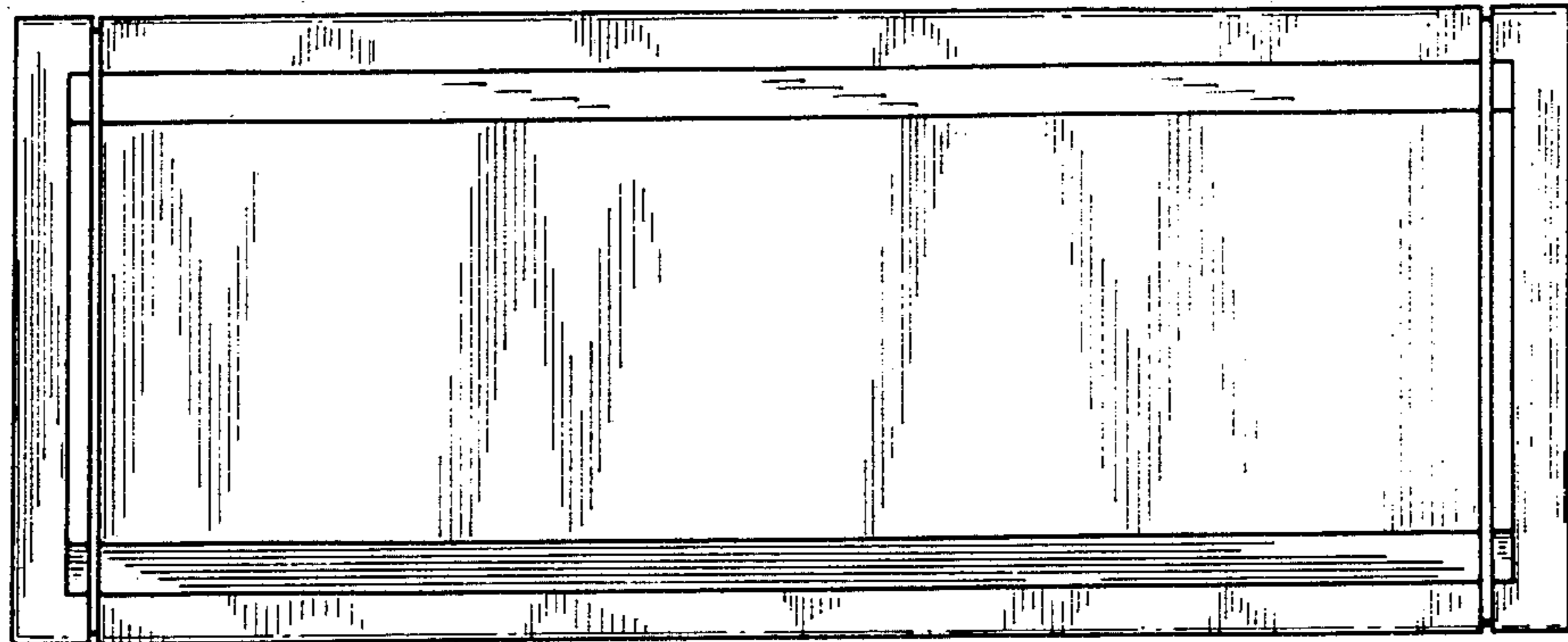


FIG. 4

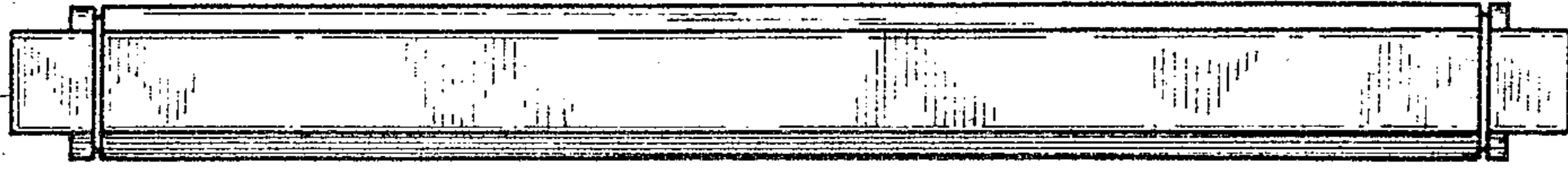


FIG. 5

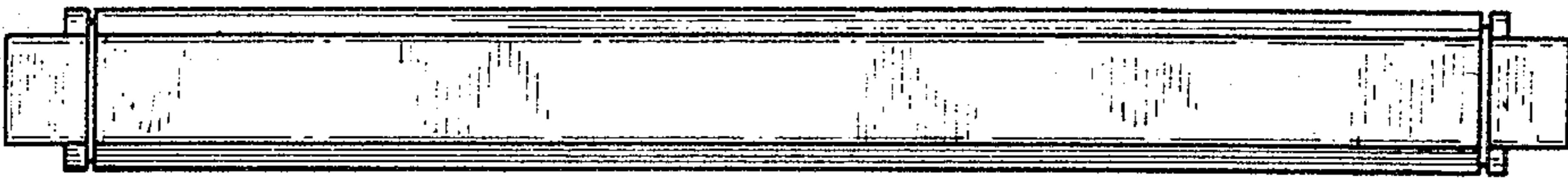


FIG. 6

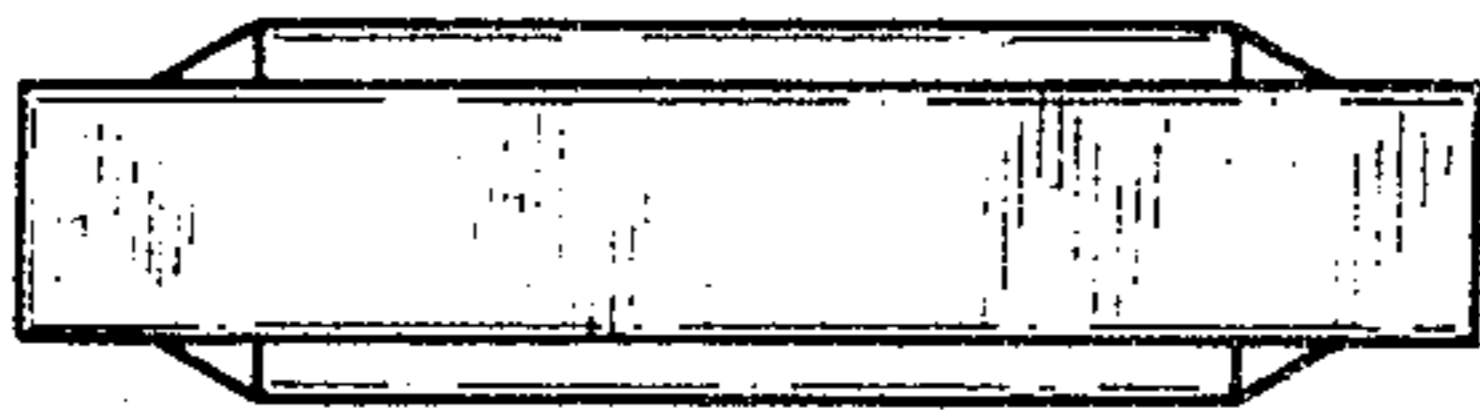


FIG. 7

