

[54] FLUORESCENT LAMP

[75] Inventors: Mitsuyuki Futatsugi; Fuminobu Takizawa; Hitoshi Yamazaki; Masakatsu Suzuki; Yoshihiro Domon; Toshiharu Fujita, all of Kamakura, Japan

[73] Assignee: Mitsubishi Denki Kabushiki Kaisha, Tokyo, Japan

[**] Term: 14 Years

[21] Appl. No.: 785,569

[22] Filed: Oct. 8, 1985

[30] Foreign Application Priority Data

Apr. 8, 1985 [JP]	Japan	60-14093
May 8, 1985 [JP]	Japan	60-18711
Aug. 14, 1985 [JP]	Japan	60-34838
Aug. 14, 1985 [JP]	Japan	60-34840
[52] U.S. Cl.		D26/3
[58] Field of Search		D26/1, 2, 3, 26; 313/485, 493, 315, 318; D13/25; 339/50 R-55

[56] References Cited

U.S. PATENT DOCUMENTS

3,501,662	3/1970	Plagge	313/493
4,426,602	1/1984	Mollet et al.	313/318 X

FOREIGN PATENT DOCUMENTS

17892/34	6/1934	United Kingdom	D26/3
57-8491	3/1982	Japan	D26/3

Primary Examiner—Susan J. Lucas
Attorney, Agent, or Firm—Oblon, Fisher, Spivak, McClelland & Maier

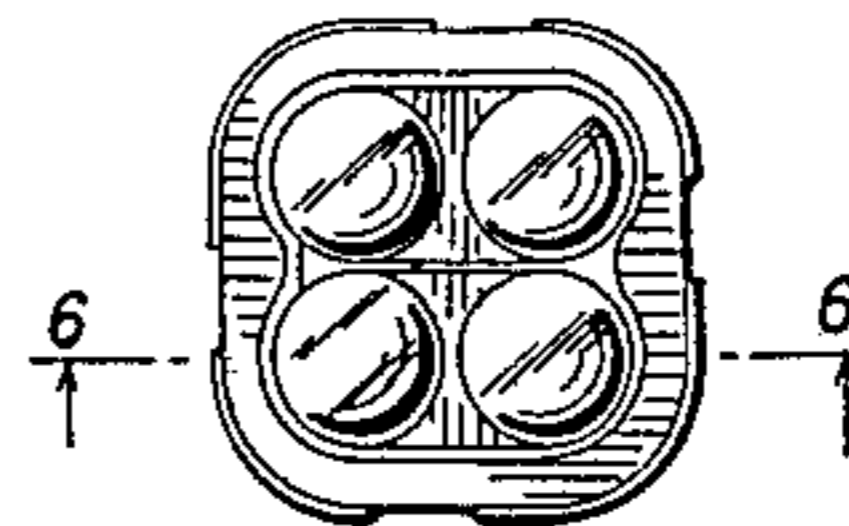
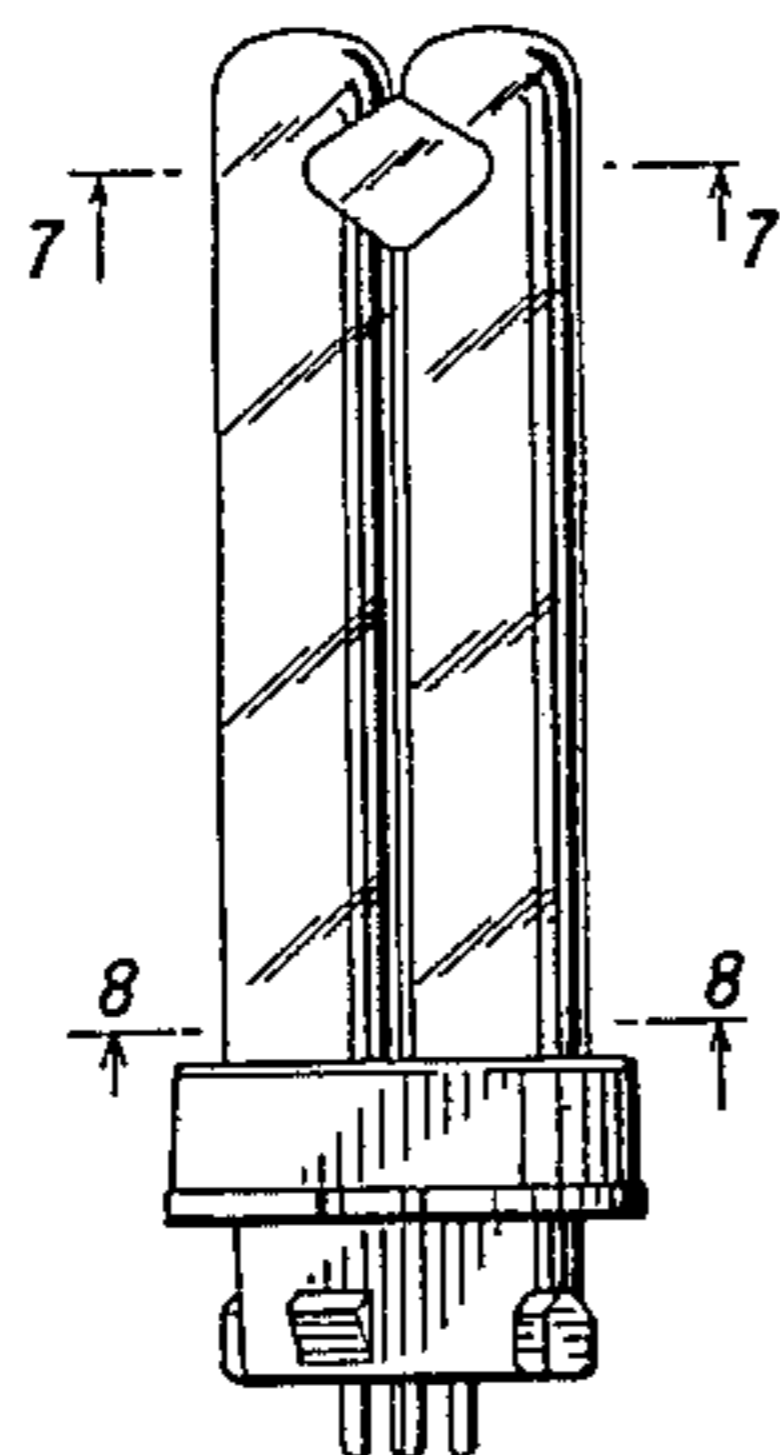
[57] CLAIM

The ornamental design for a fluorescent lamp, as shown and described.

DESCRIPTION

FIG. 1 is a front elevational view of a fluorescent lamp showing our new design, the rear being a mirror image; FIG. 2 is a left side elevational view thereof;

FIG. 3 is a top plan view thereof;
FIG. 4 is a bottom plan view thereof;
FIG. 5 is a right side elevational view thereof;
FIG. 6 is an enlarged sectional view as taken along line 6—6 of FIG. 3;
FIG. 7 is an enlarged sectional view as taken along line 7—7 of FIG. 1;
FIG. 8 is an enlarged sectional view as taken along line 8—8 of FIG. 1;
FIG. 9 is a front elevational view of a second embodiment of our new design, the rear being a mirror image;
FIG. 10 is a left side elevational view thereof;
FIG. 11 is a top plan view thereof;
FIG. 12 is a bottom plan view thereof;
FIG. 13 is a right side elevational view thereof;
FIG. 14 is an enlarged sectional view as taken along line 14—14 of FIG. 11;
FIG. 15 is an enlarged sectional view as taken along line 15—15 of FIG. 9;
FIG. 16 is an enlarged sectional view as taken along line 16—16 of FIG. 9;
FIG. 17 is a front elevational view of a third embodiment of our new design, the rear being a mirror image;
FIG. 18 is a left side elevational view thereof;
FIG. 19 is a top plan view thereof;
FIG. 20 is a bottom plan view thereof;
FIG. 21 is a right side elevational view thereof;
FIG. 22 is an enlarged sectional view as taken along line 22—22 of FIG. 19;
FIG. 23 is an enlarged sectional view as taken along line 23—23 of FIG. 17;
FIG. 24 is an enlarged sectional view as taken along line 24—24 of FIG. 17;
FIG. 25 is a front elevational view of a fourth embodiment of our new design, the rear being a mirror image;
FIG. 26 is a left side elevational view thereof;
FIG. 27 is a top plan view thereof;
FIG. 28 is a bottom plan view thereof;
FIG. 29 is a right side elevational view thereof;
FIG. 30 is an enlarged sectional view as taken along line 30—30 of FIG. 27;
FIG. 31 is an enlarged sectional view as taken along line 31—31 of FIG. 25;
FIG. 32 is an enlarged sectional view as taken along line 32—32 of FIG. 25.



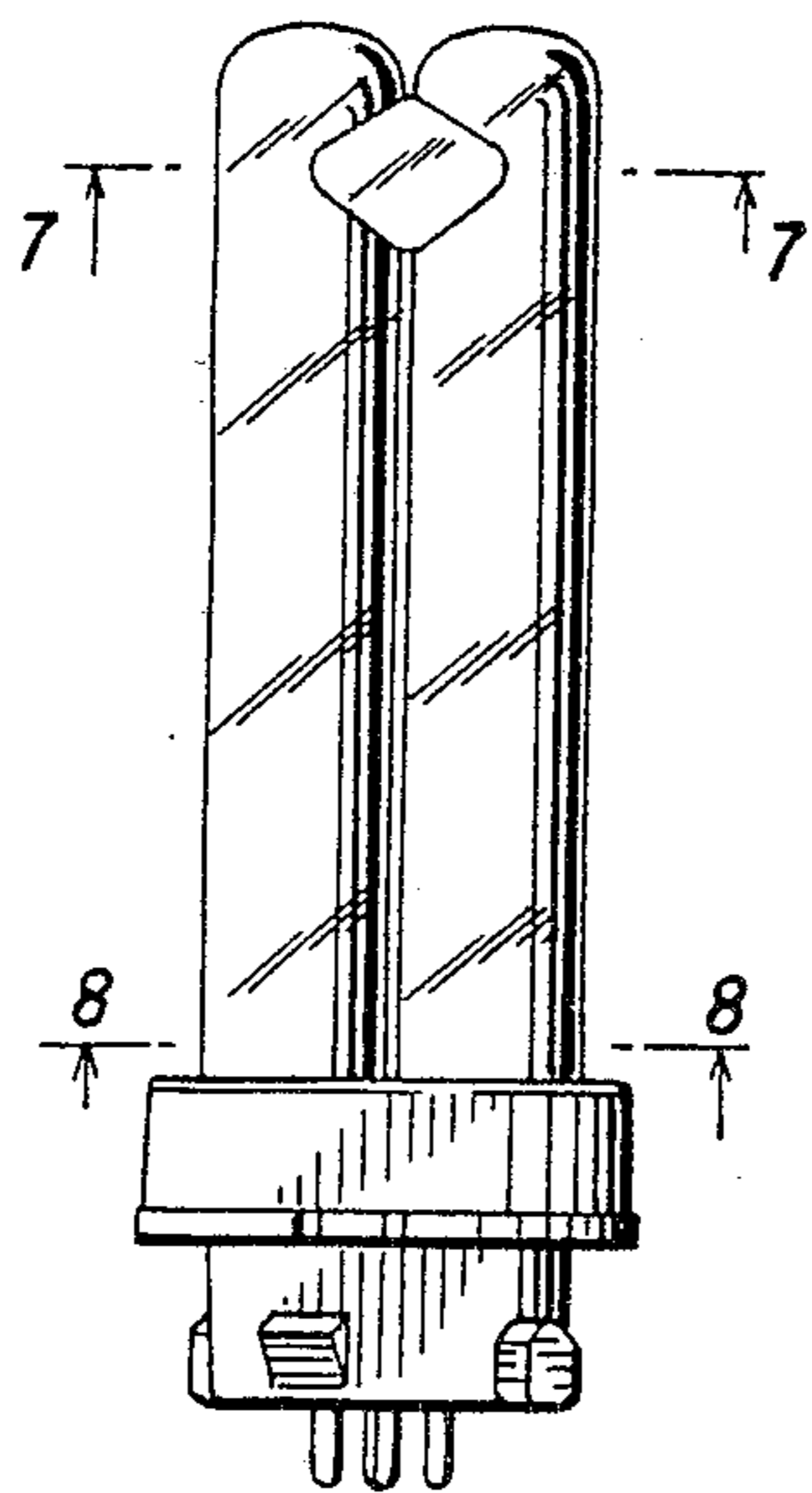


FIG. 1

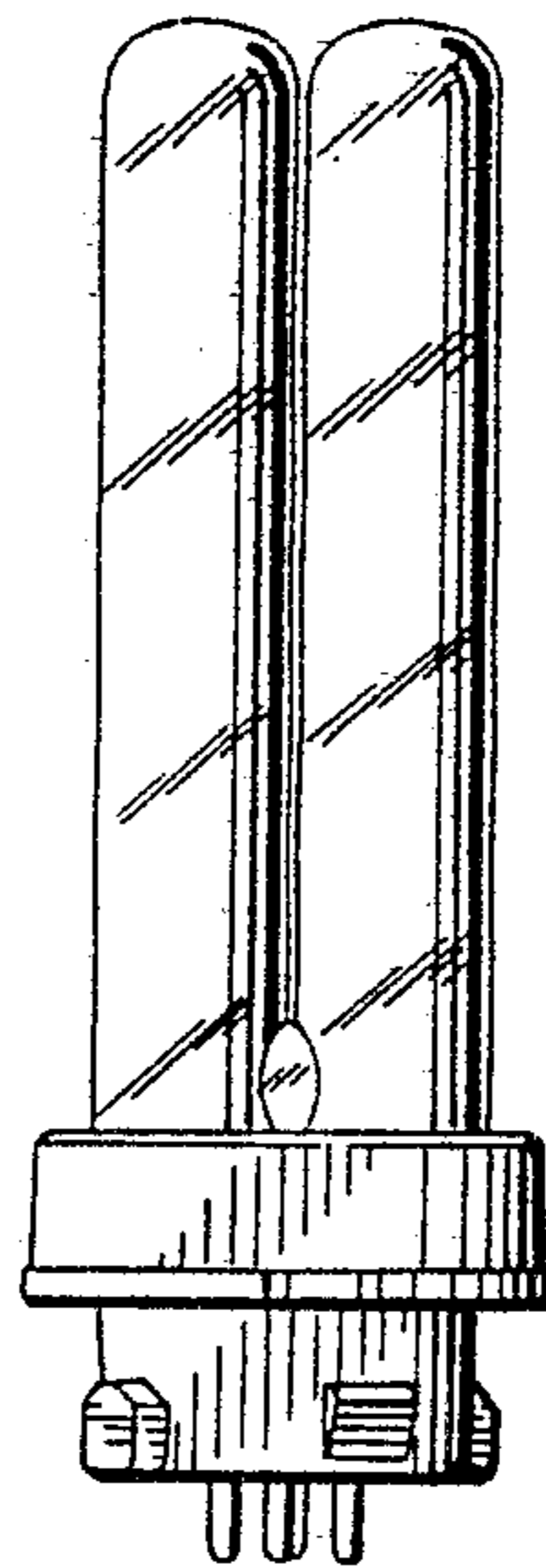


FIG. 2

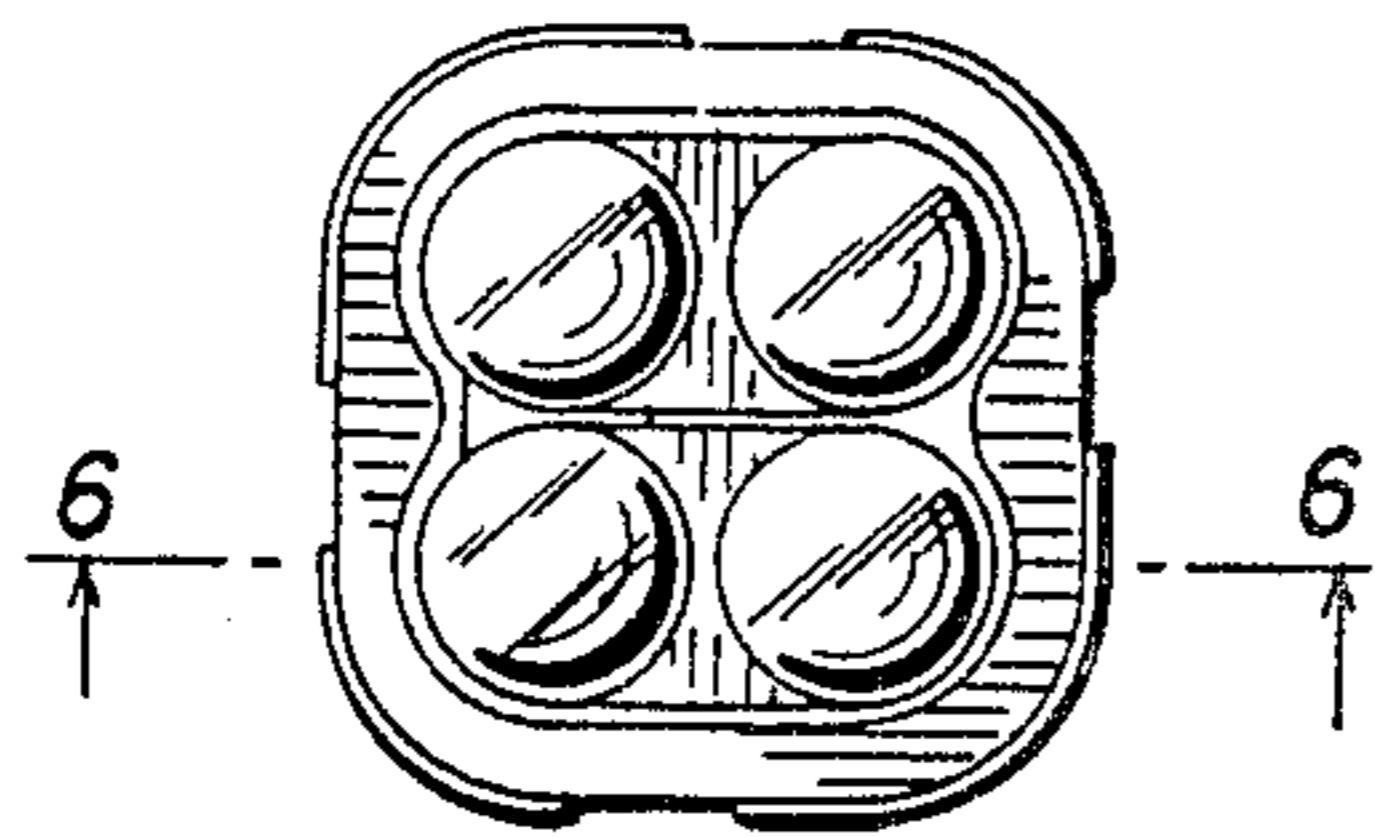


FIG. 3

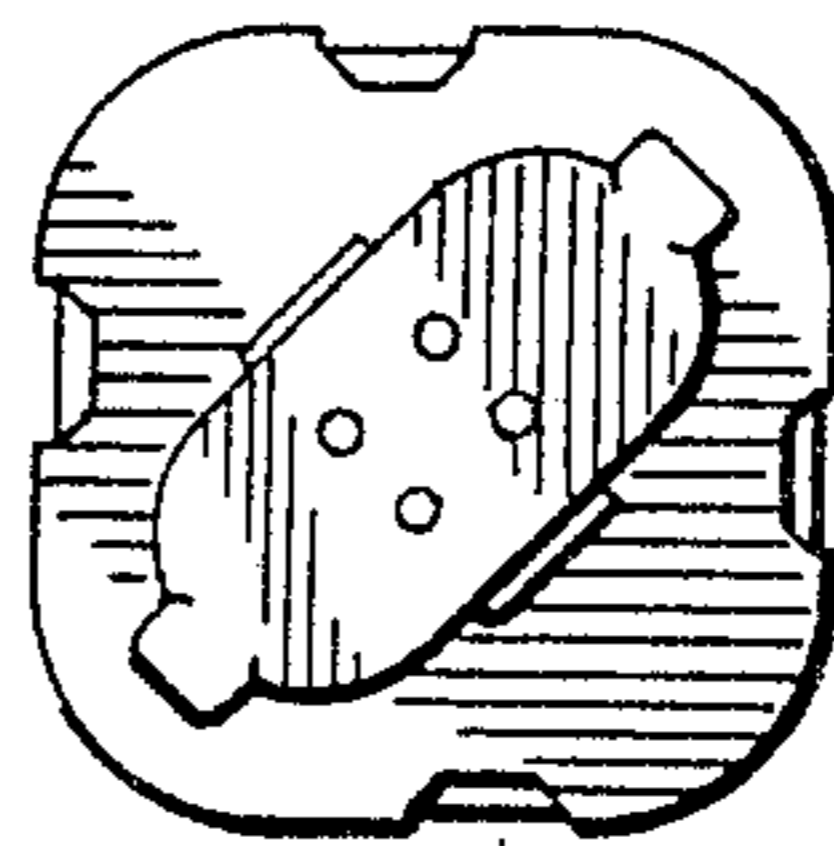


FIG. 4

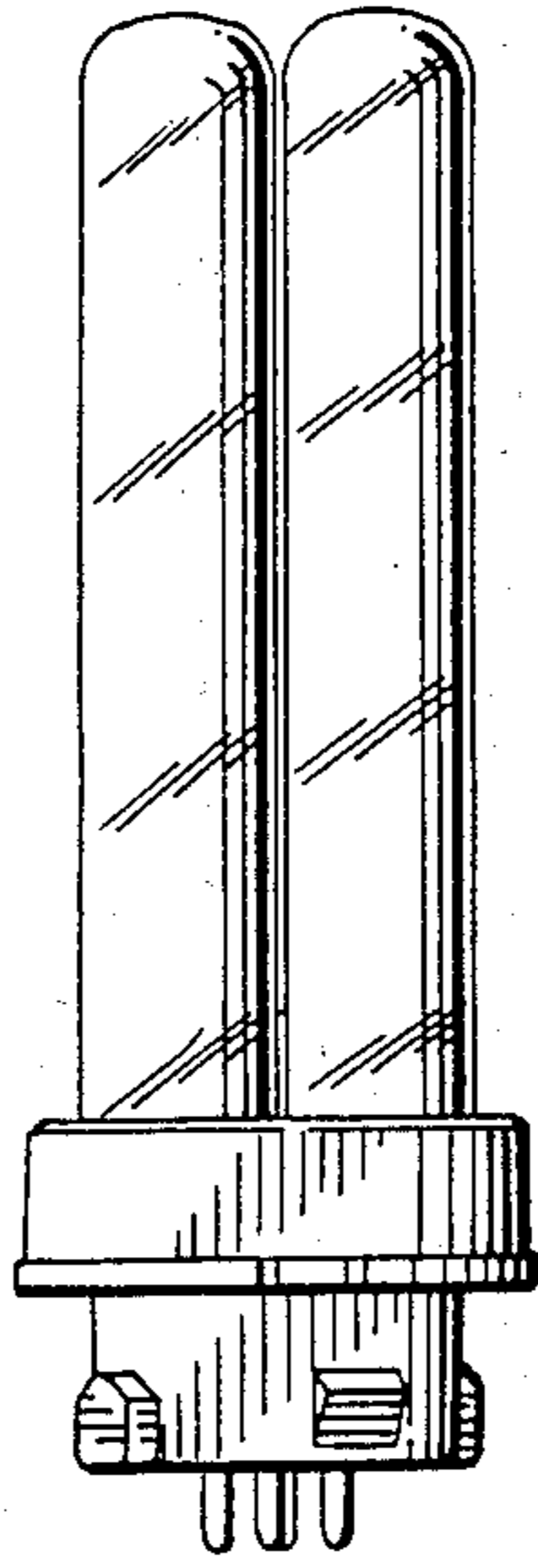


FIG. 5

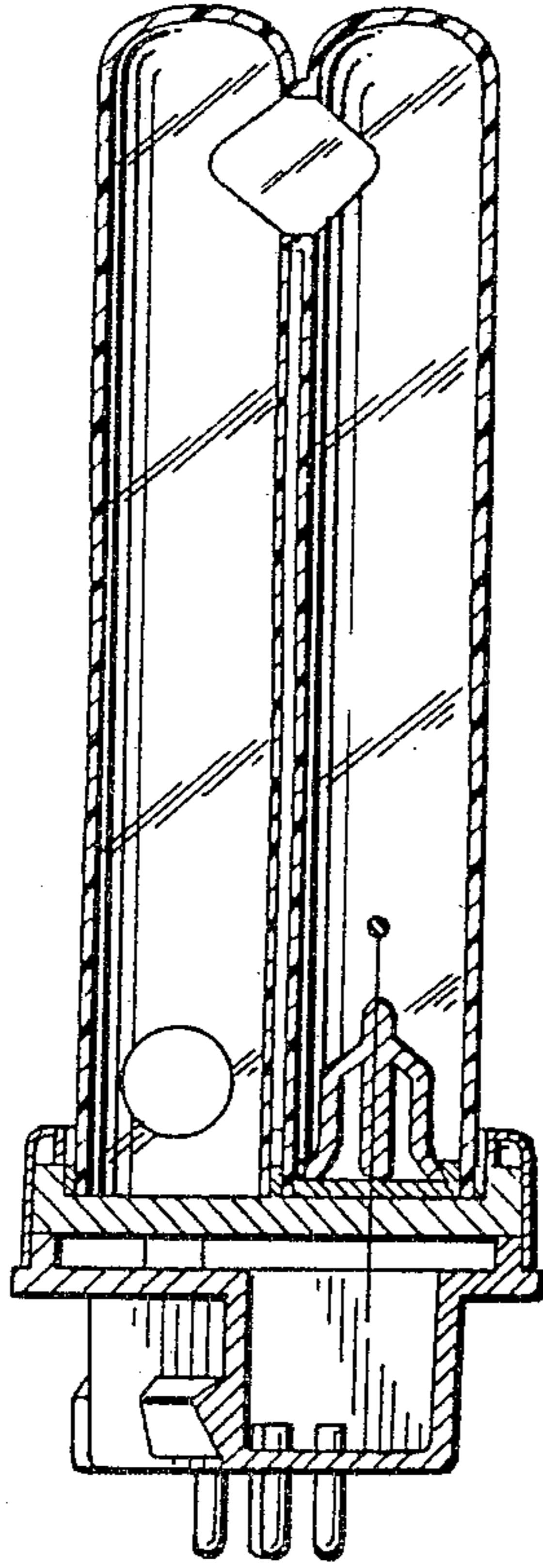


FIG. 6

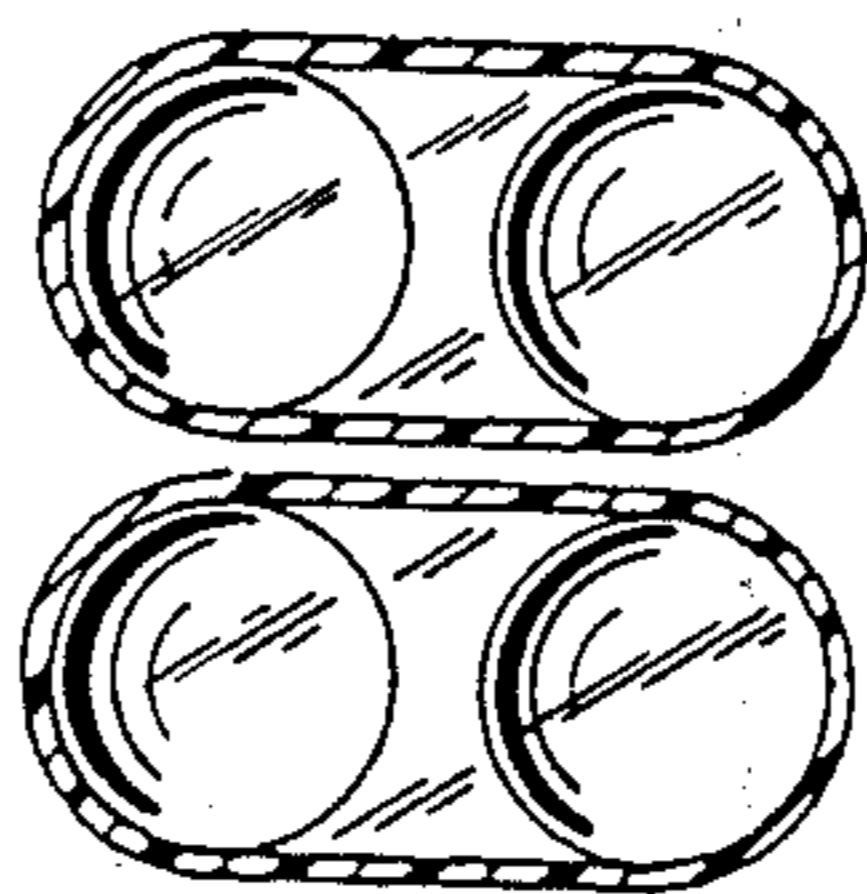


FIG. 7

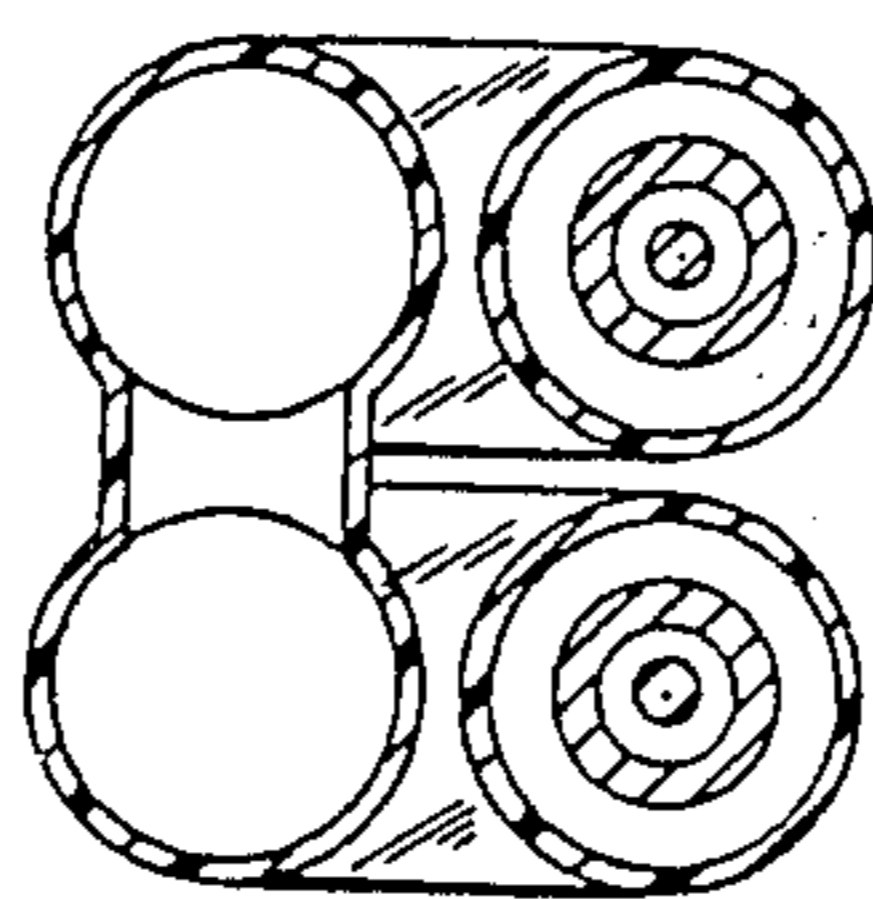


FIG. 8

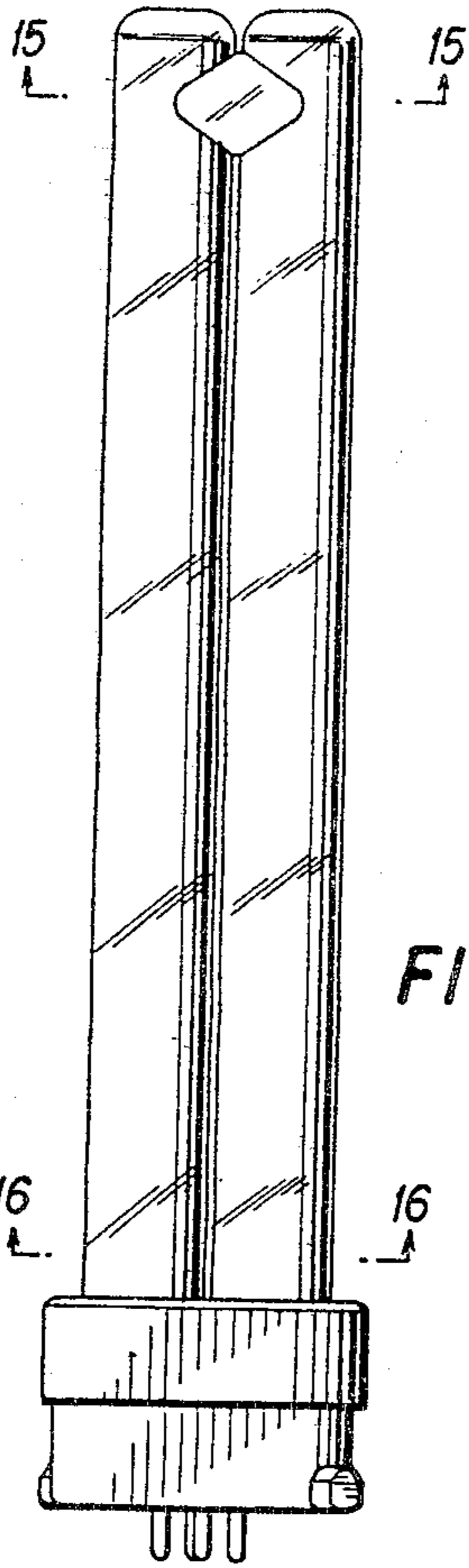


FIG. 9

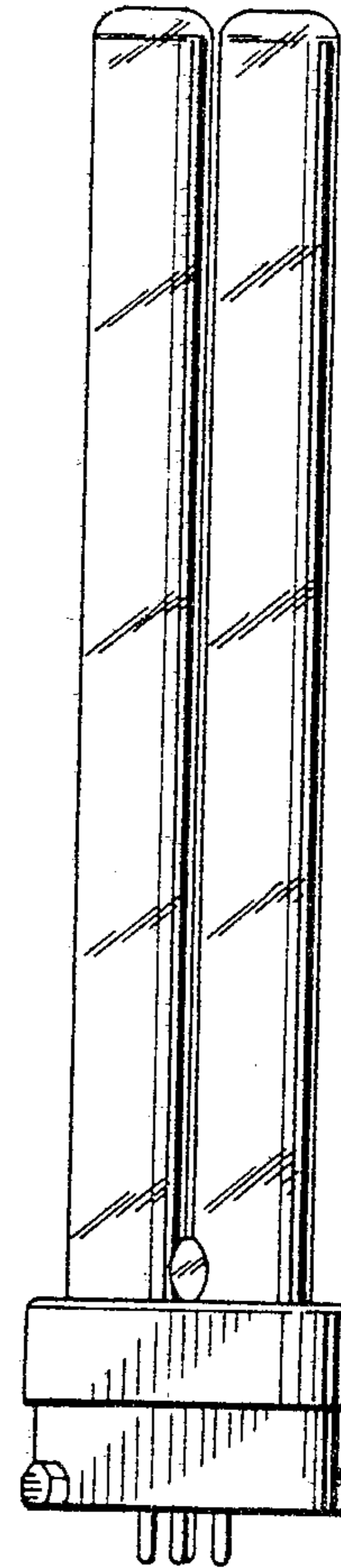


FIG. 10

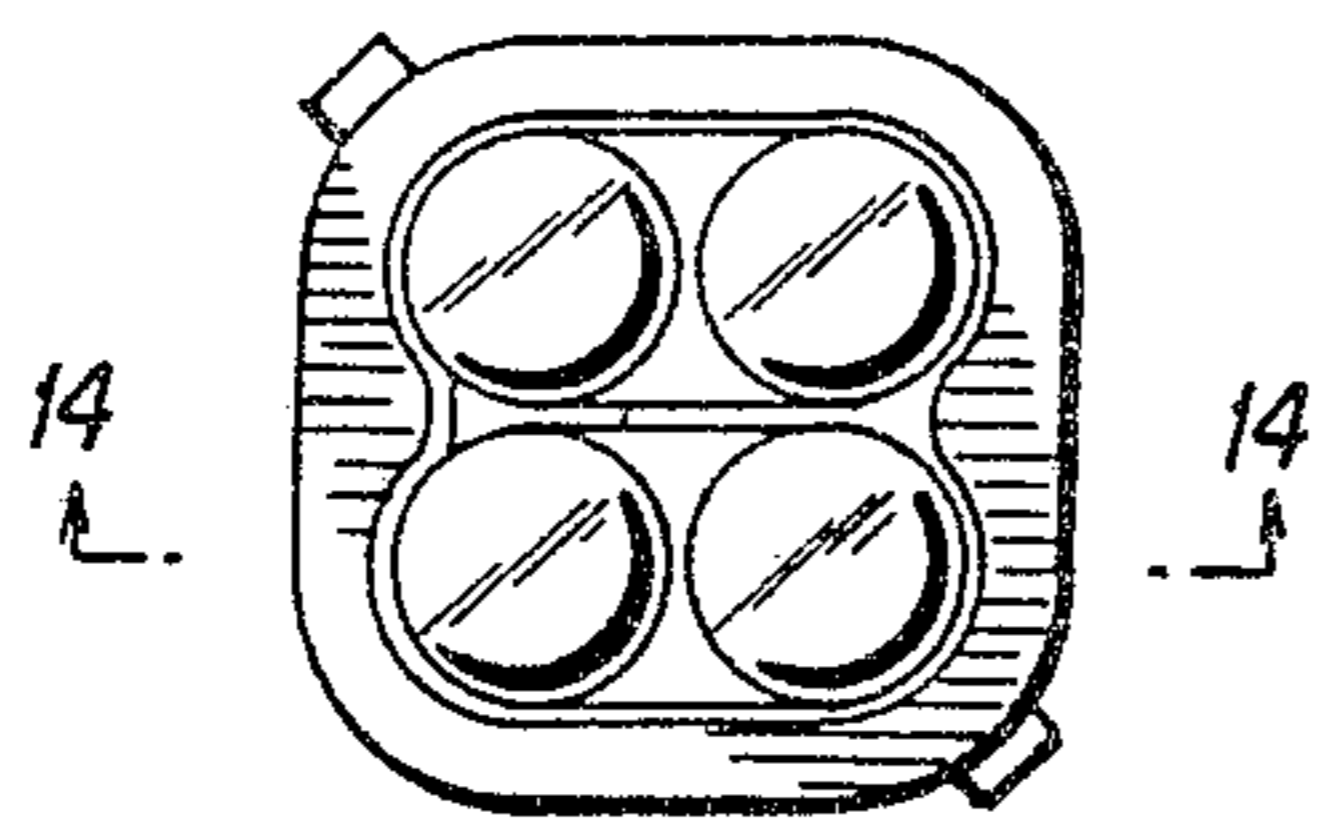


FIG. 11

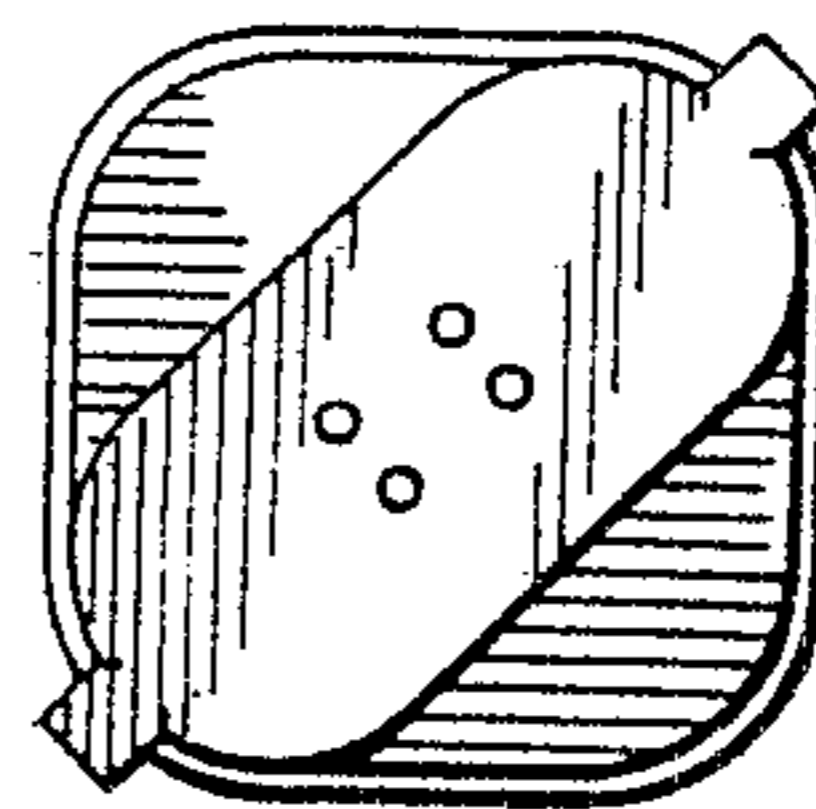


FIG. 12

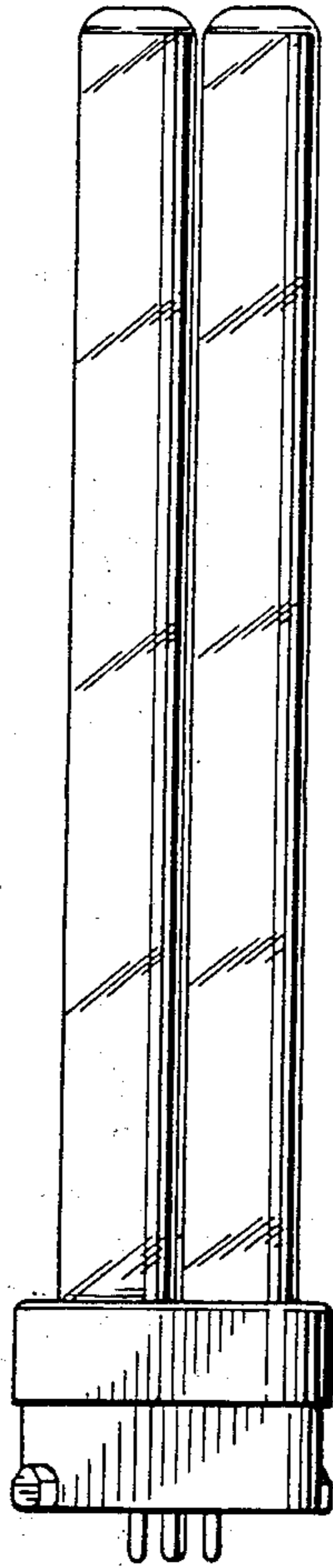


FIG. 13

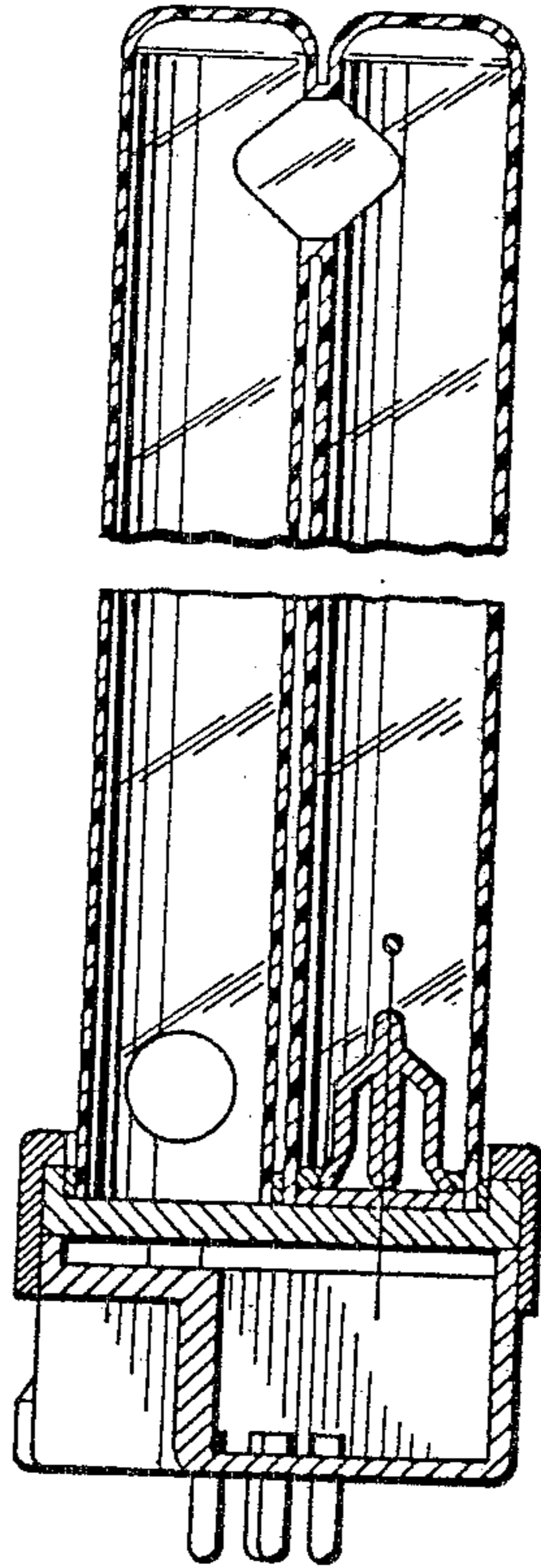


FIG. 14

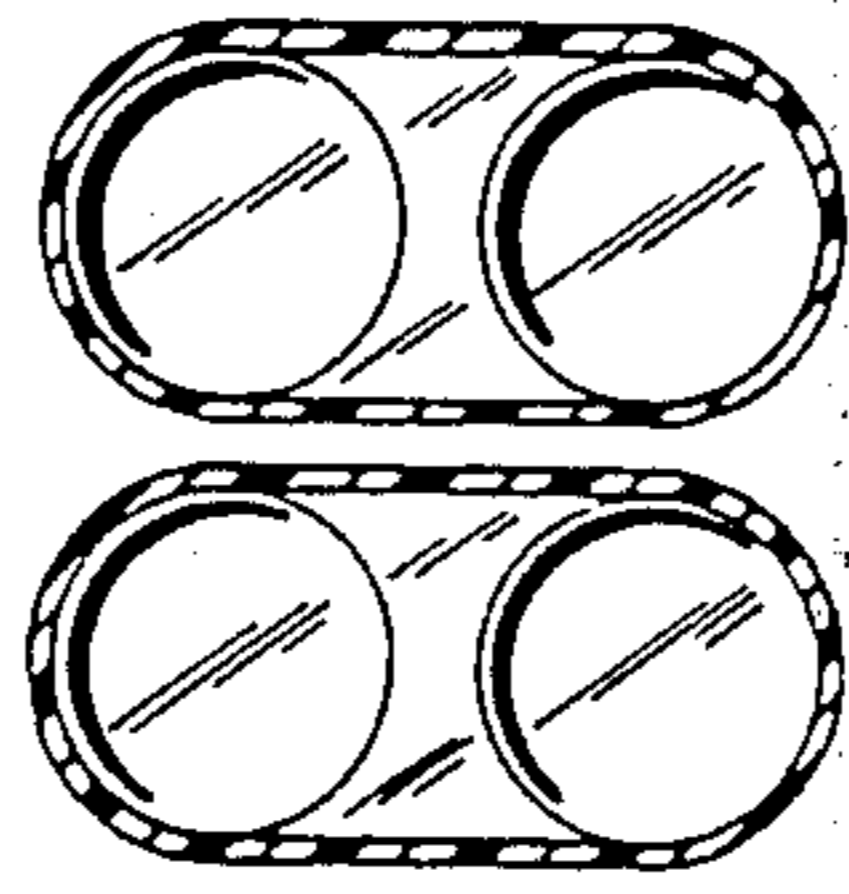


FIG. 15

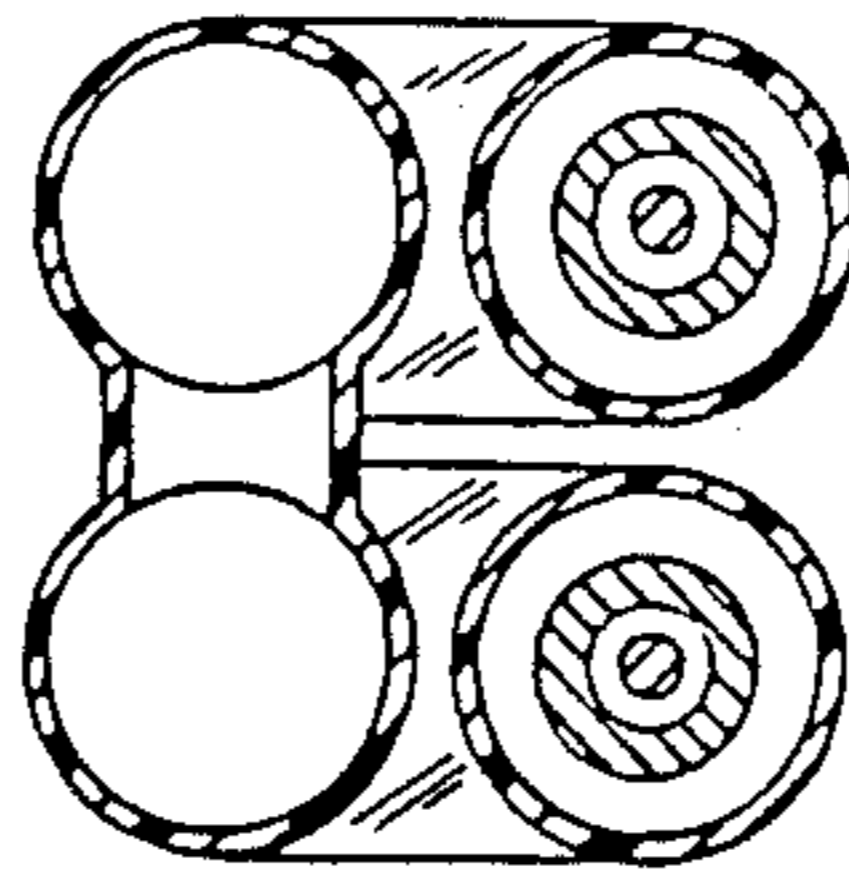


FIG. 16

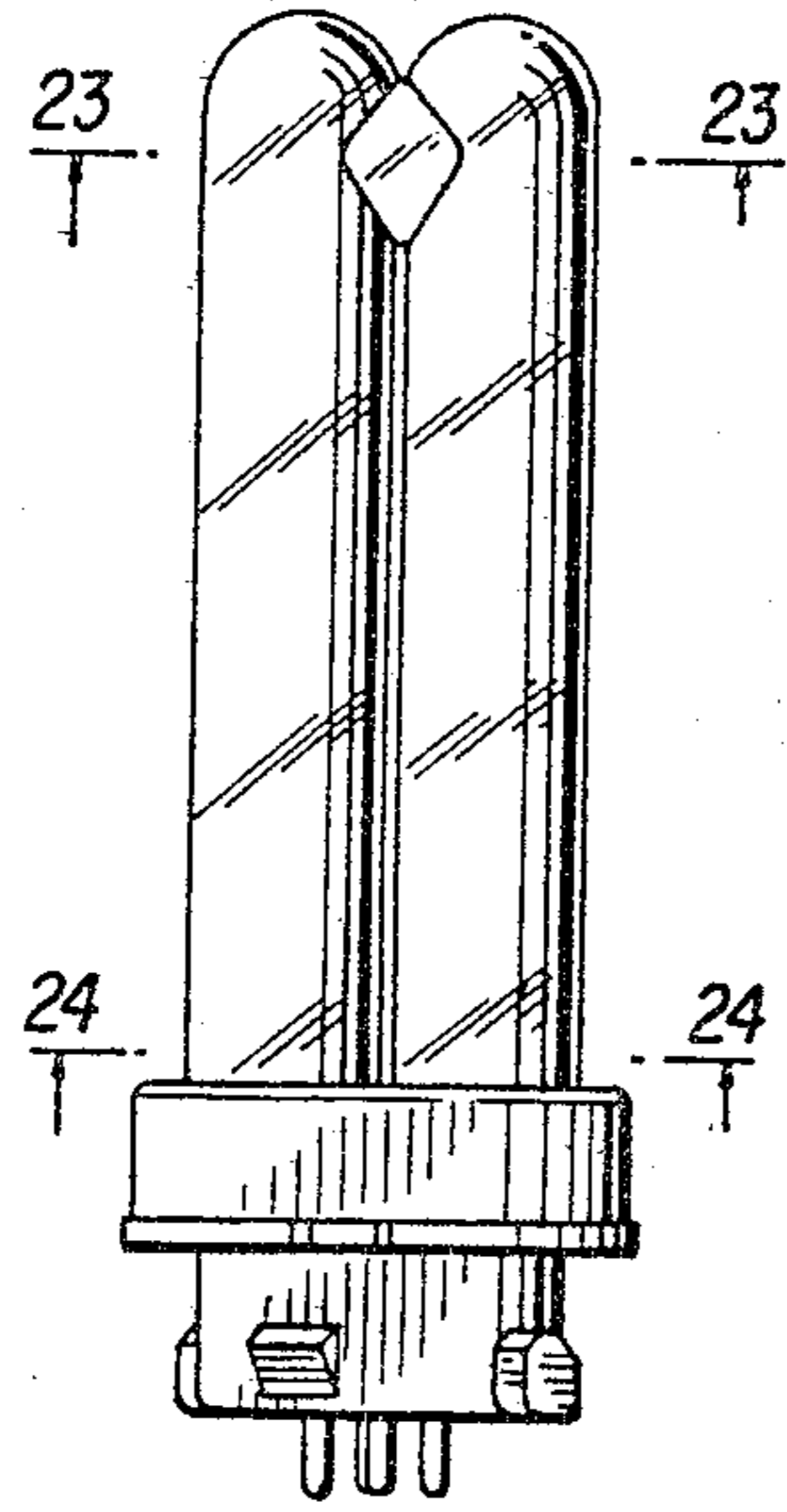


FIG. 17

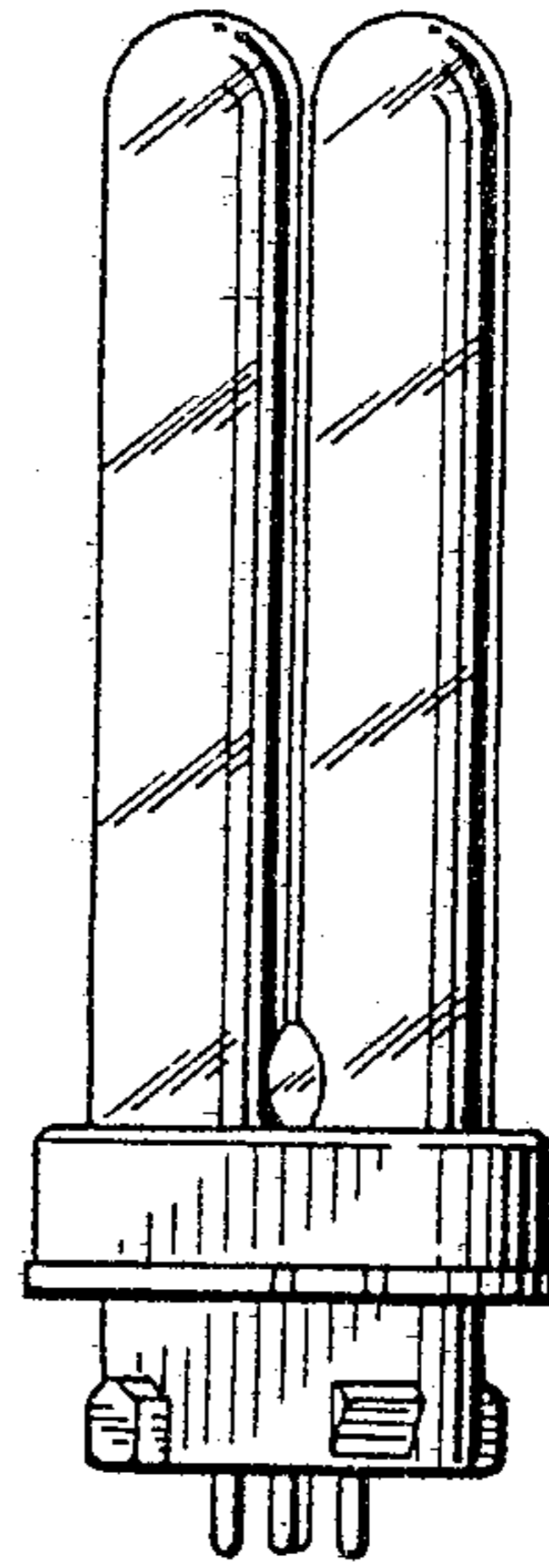


FIG. 18

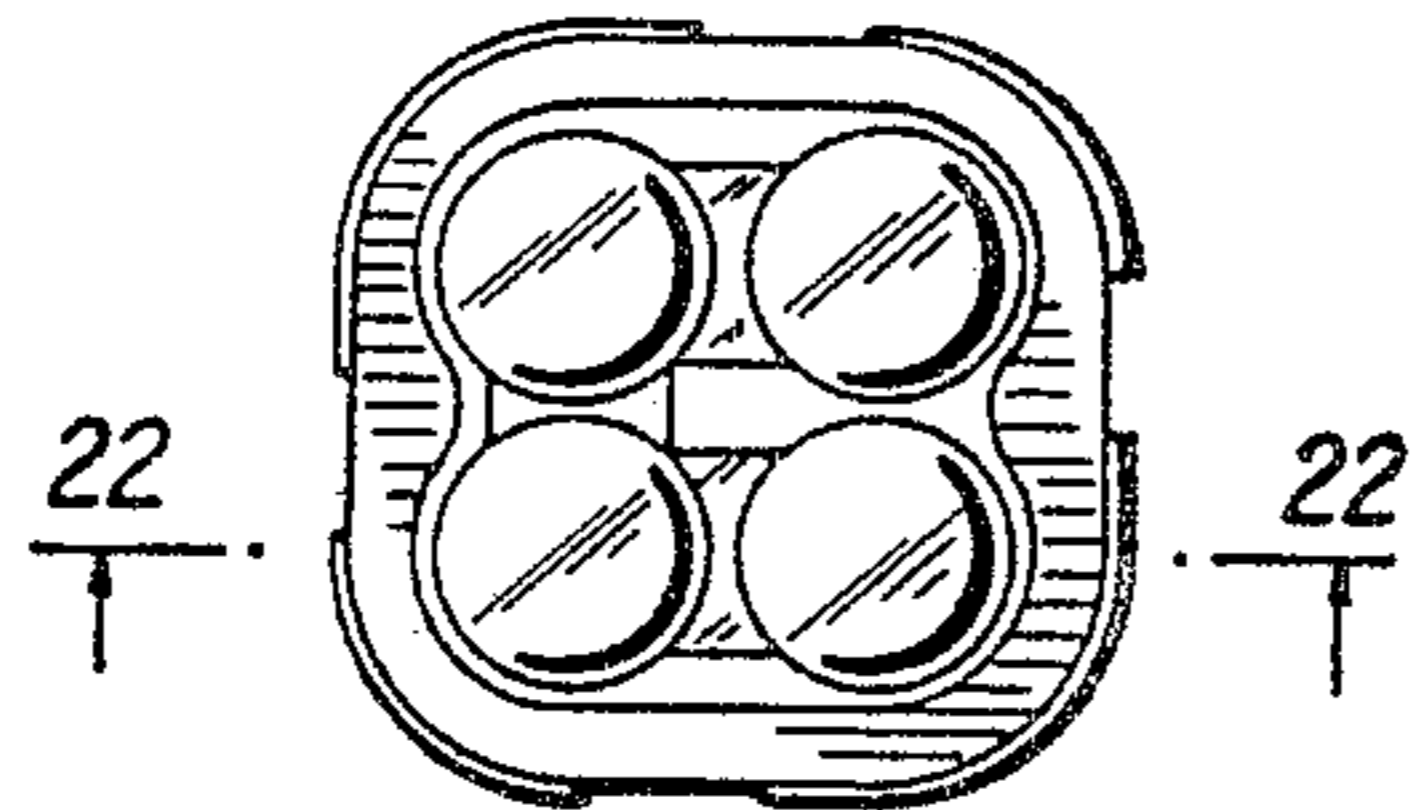


FIG. 19

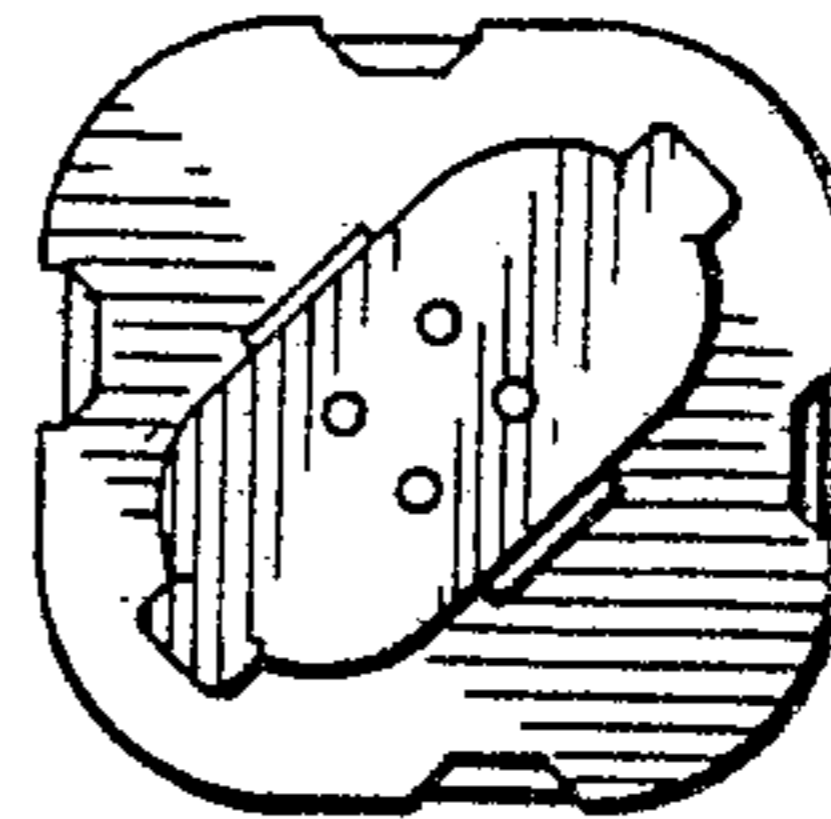


FIG. 20

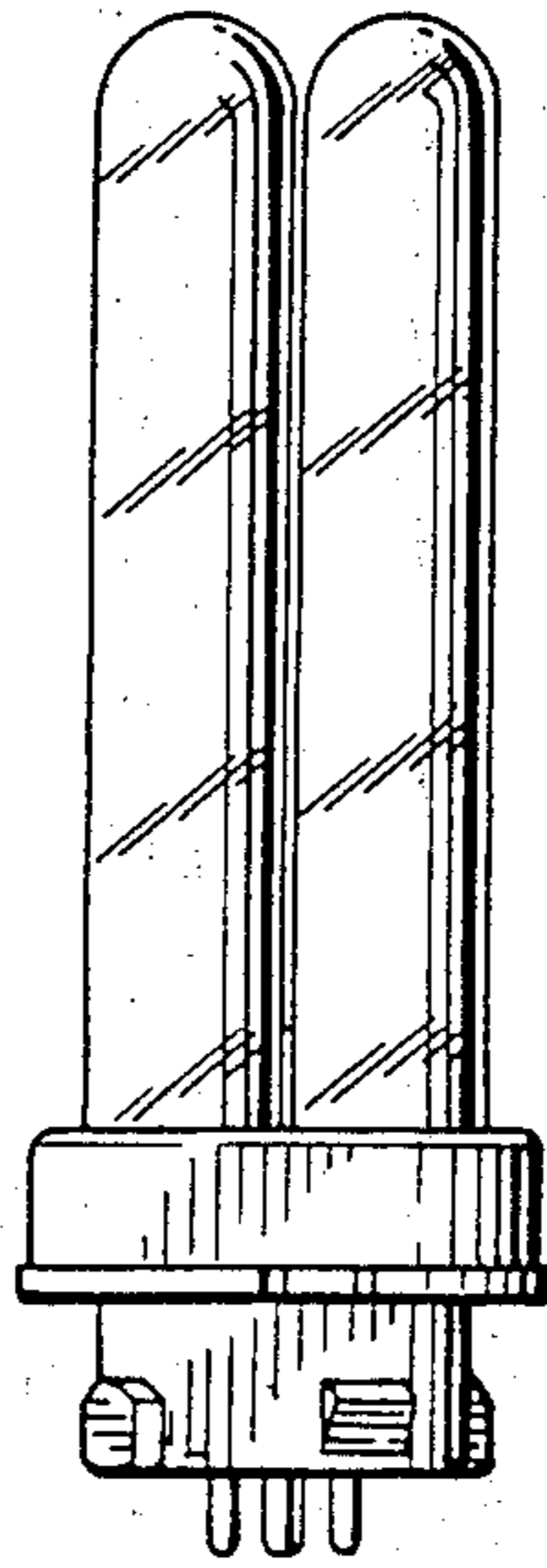


FIG. 21

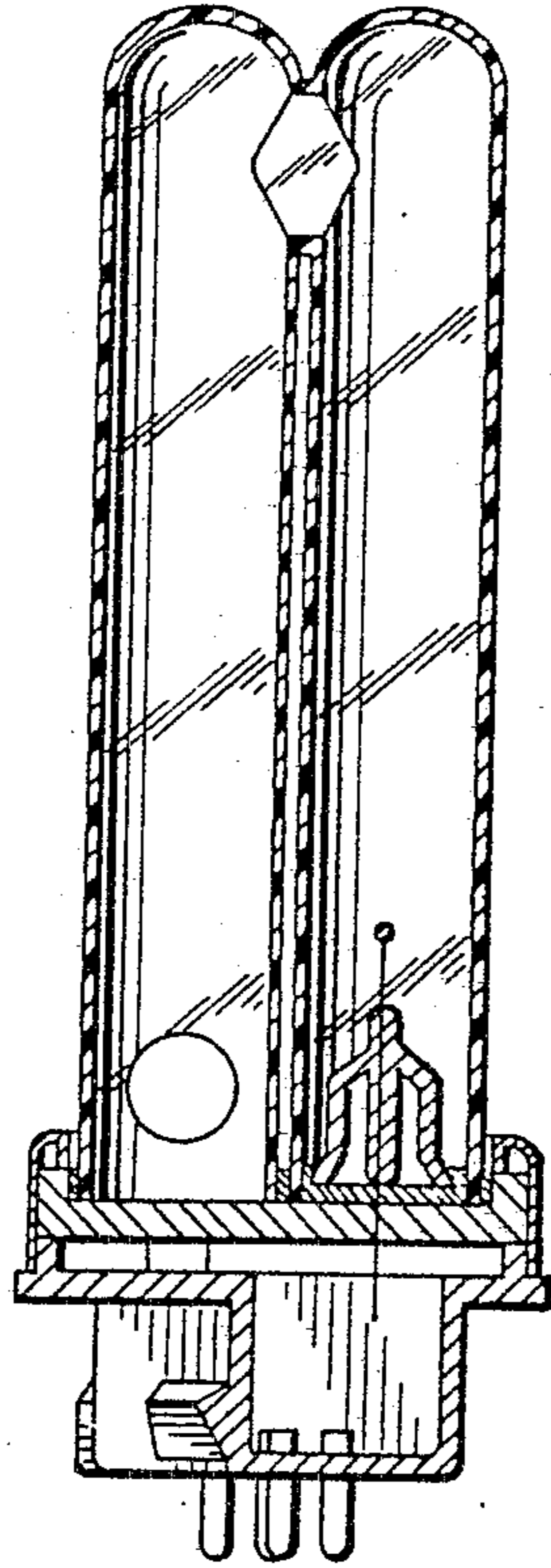


FIG. 22

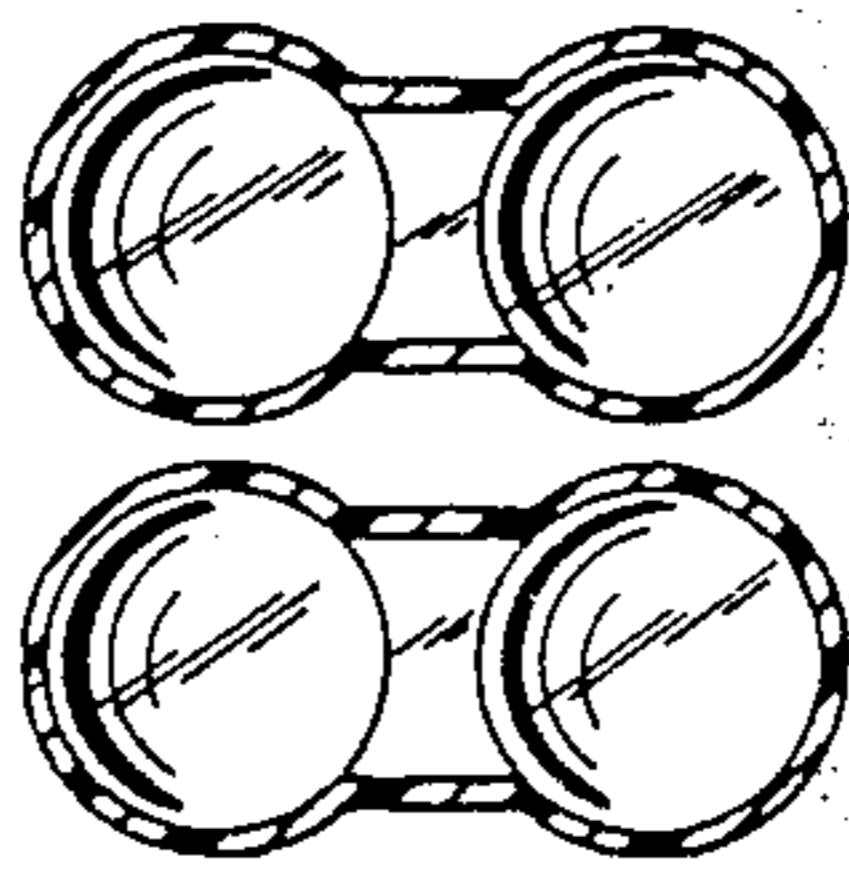


FIG. 23

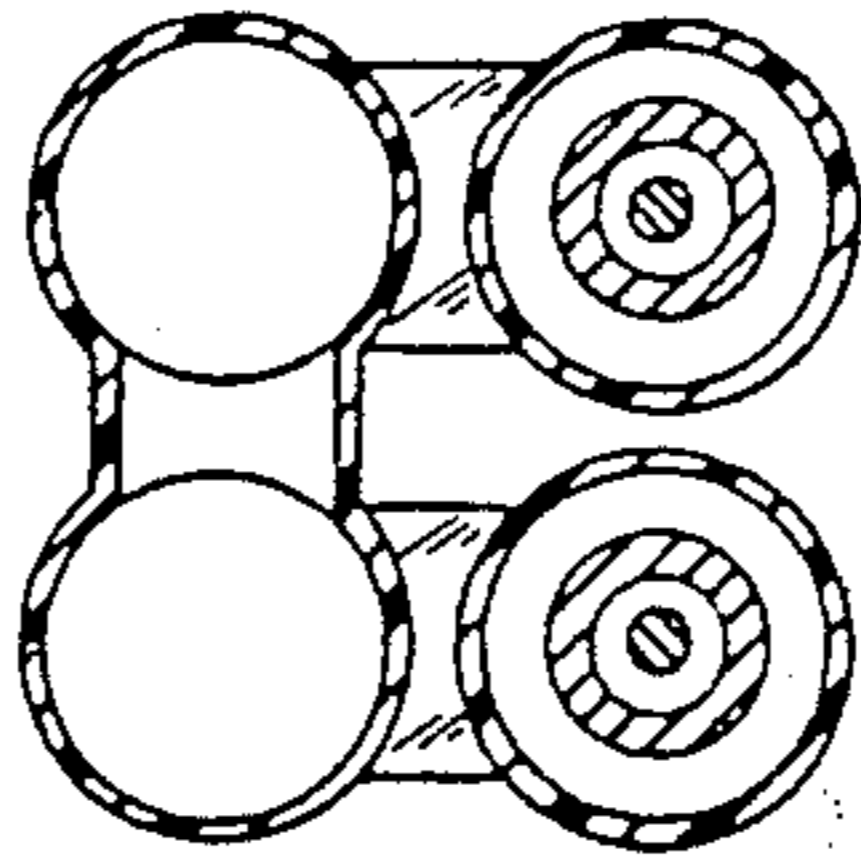


FIG. 24

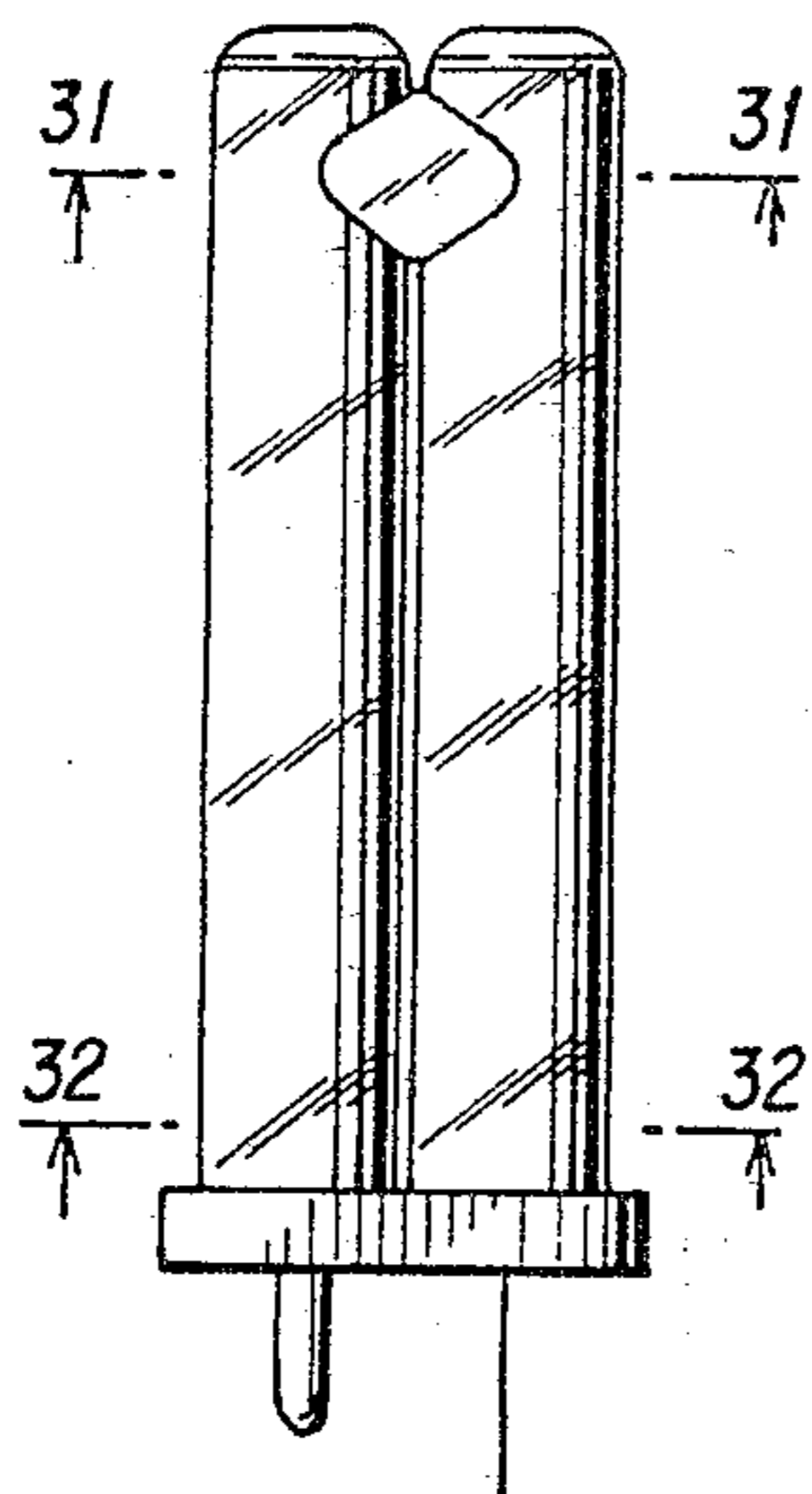


FIG. 25

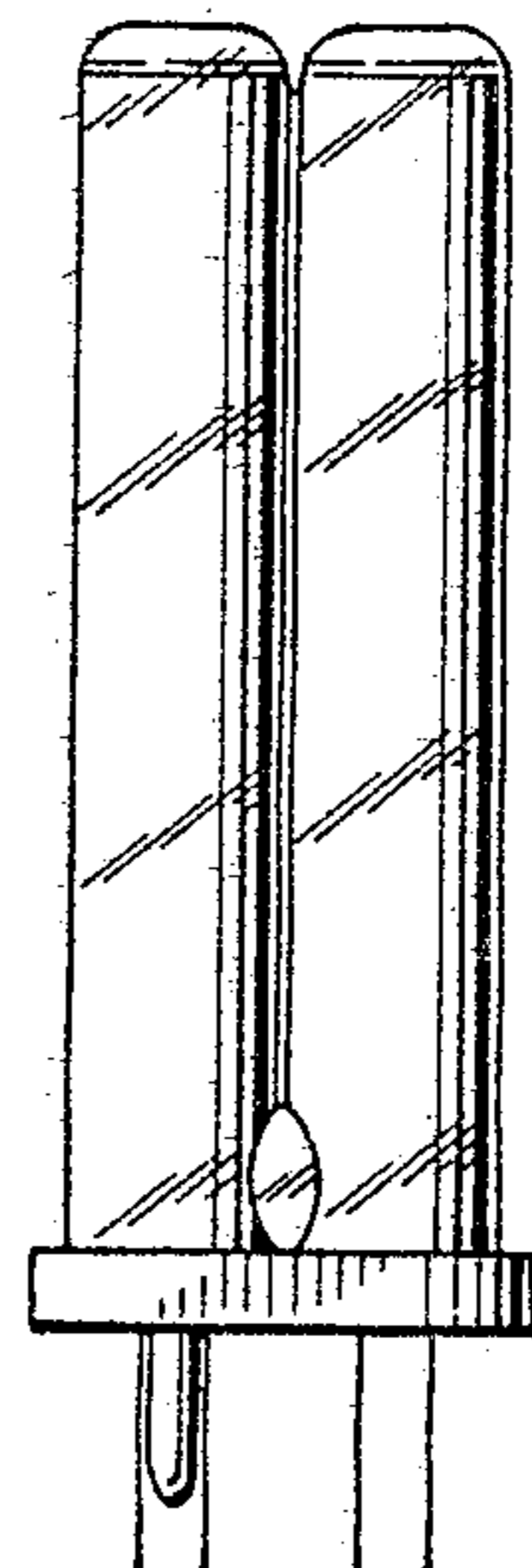


FIG. 26

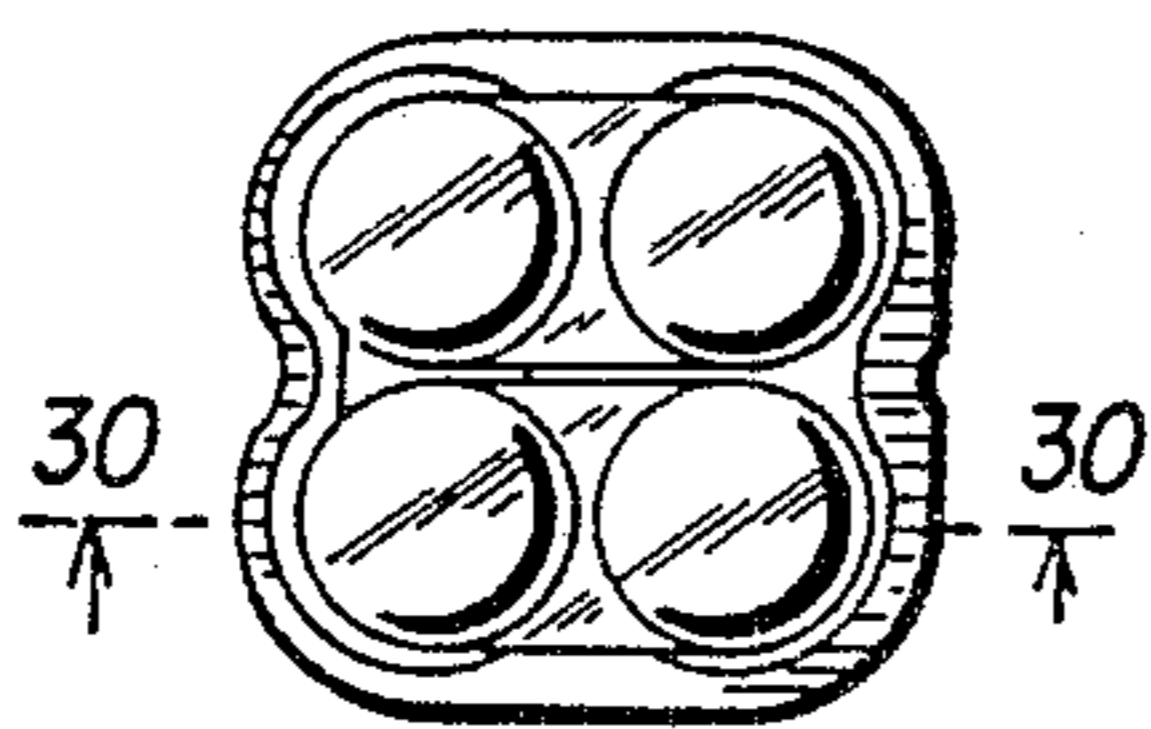


FIG. 27

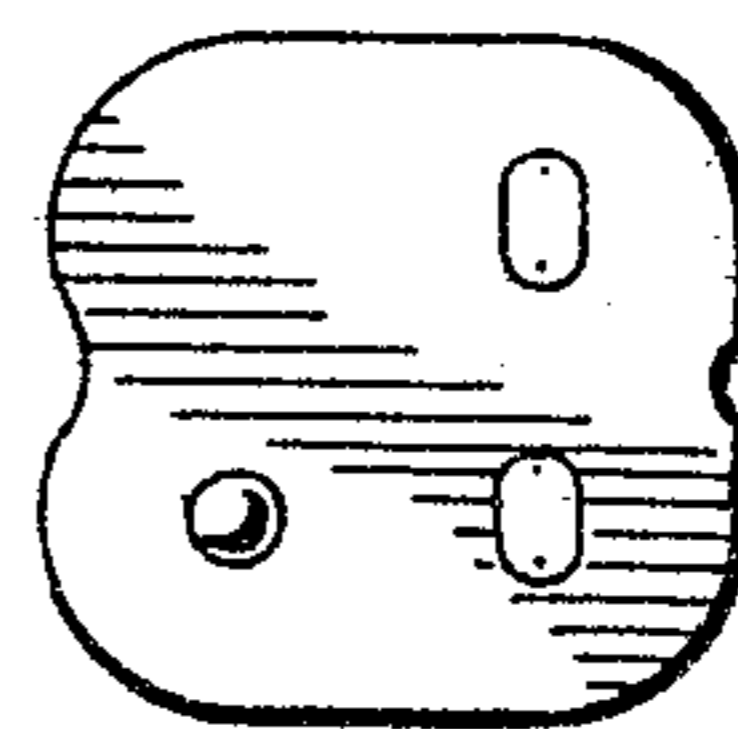


FIG. 28

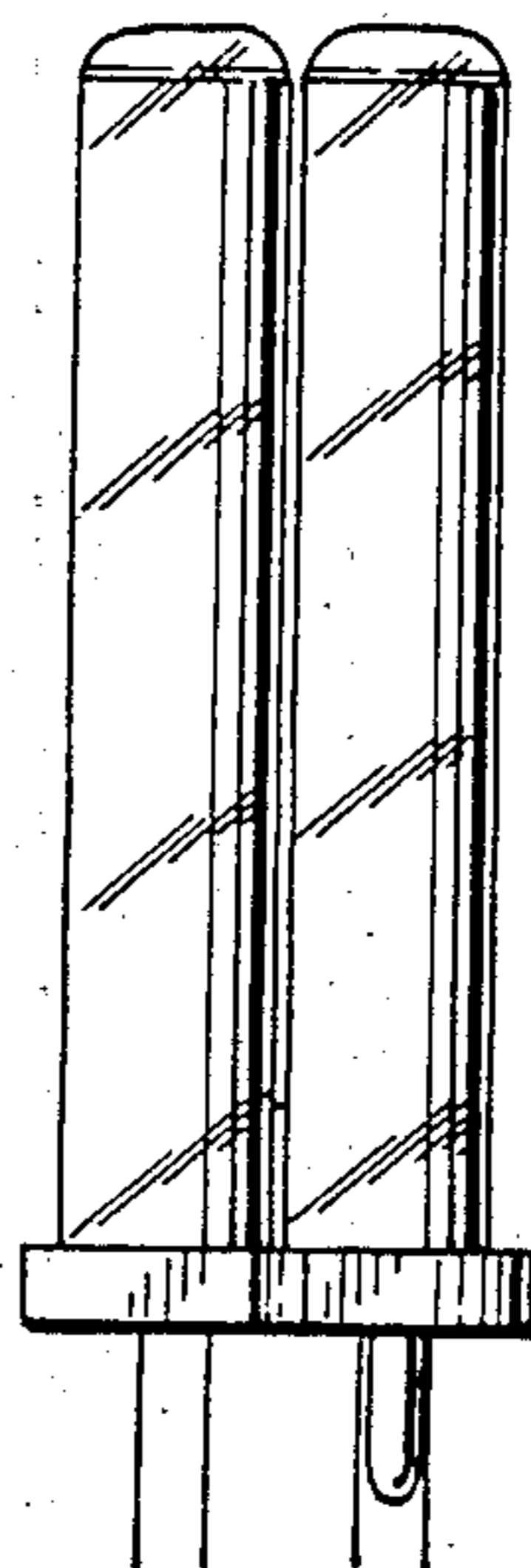


FIG. 29

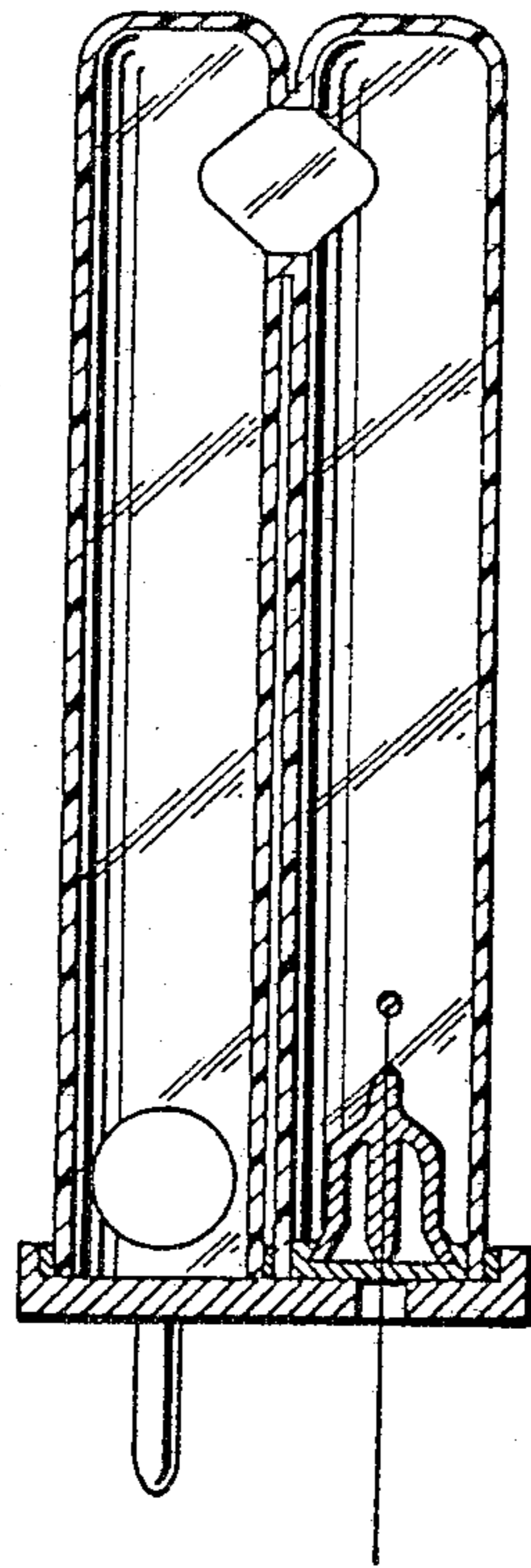


FIG. 30

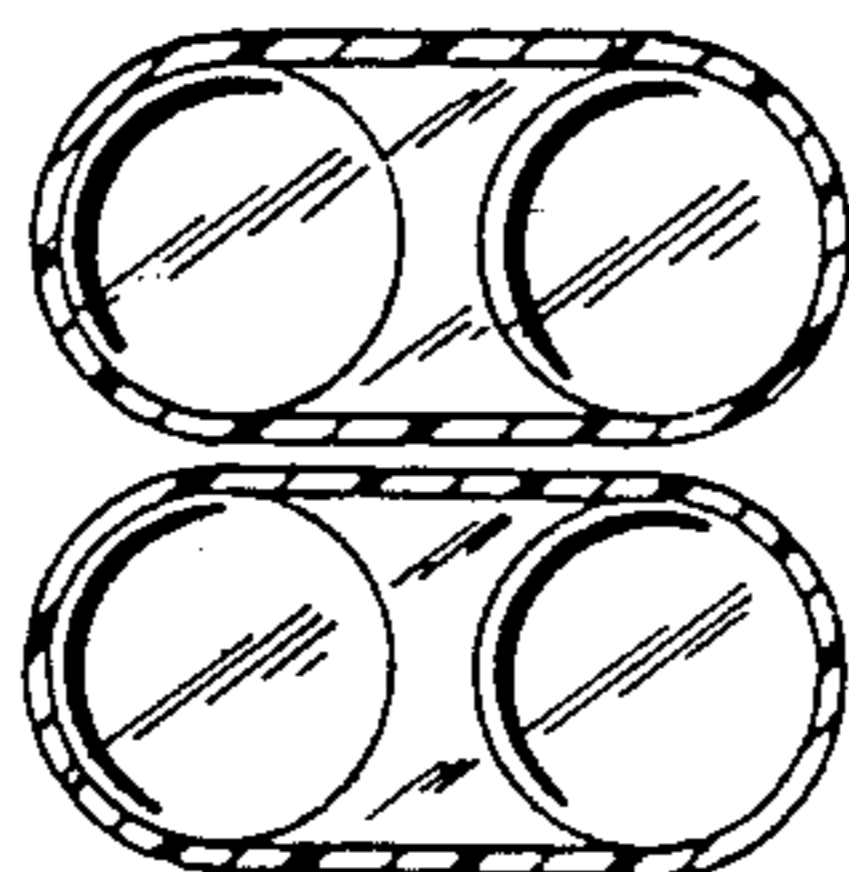


FIG. 31

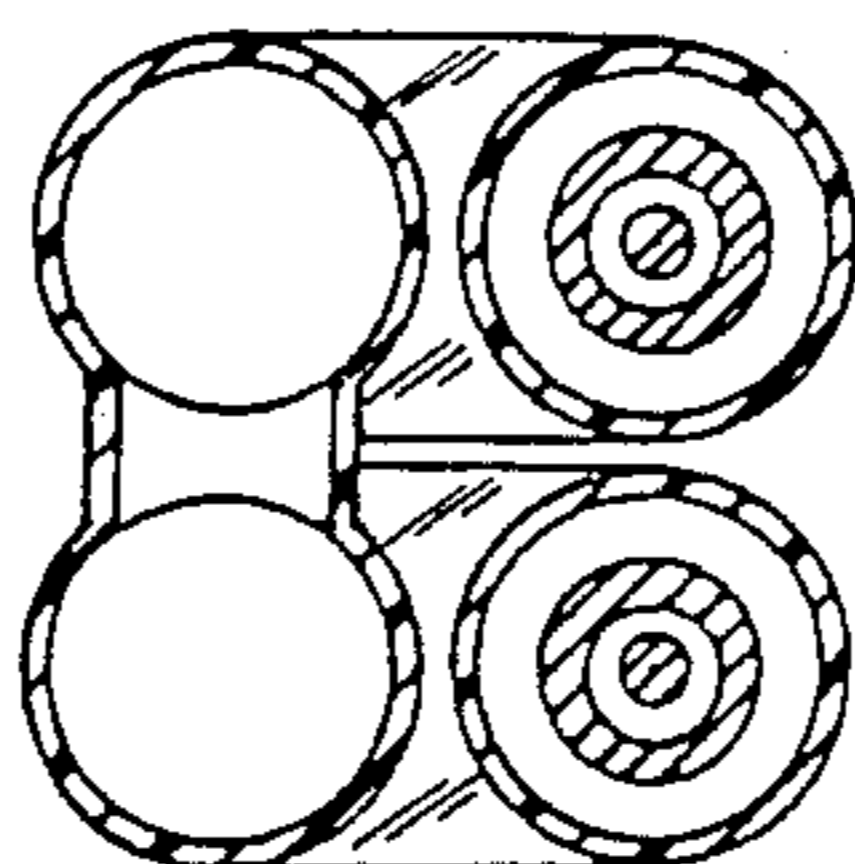


FIG. 32