

[54] CEILING FAN

[75] Inventor: Yuzo Kawai, Naraken, Japan

[73] Assignee: Kabushiki Kaisha Suiden, Osaka, Japan

[**] Term: 14 Years

[21] Appl. No.: 781,876

[22] Filed: Sep. 30, 1985

[52] U.S. Cl. D23/377; D23/379

[58] Field of Search D23/139, 155-165; 98/34.6, 38.9, 39.1, 40.01, 40.04, 40.05, 40.07, 42.07; 219/372, 365; 362/92, 147-148, 150, 294, 457-458; 416/5, 58, 93 R, 95, 146 R, 151, 170 R, 171, 194, 204 R, 198 R, 210 R, 223 R, 231 A, 234-235, 236 R, 244 R, 246, 248; 417/423 R, 424; 310/67 R, 89, 85

[56] References Cited

U.S. PATENT DOCUMENTS

D. 253,854	1/1980	Strignano	D26/89
D. 284,304	6/1986	Harber	D23/155
3,033,049	5/1962	Morrow	416/194
4,494,055	1/1985	Bitting et al.	416/5 X

Primary Examiner—Wallace R. Burke

Assistant Examiner—Brian N. Vinson

[57] CLAIM

The ornamental design for a ceiling fan, as shown and described.

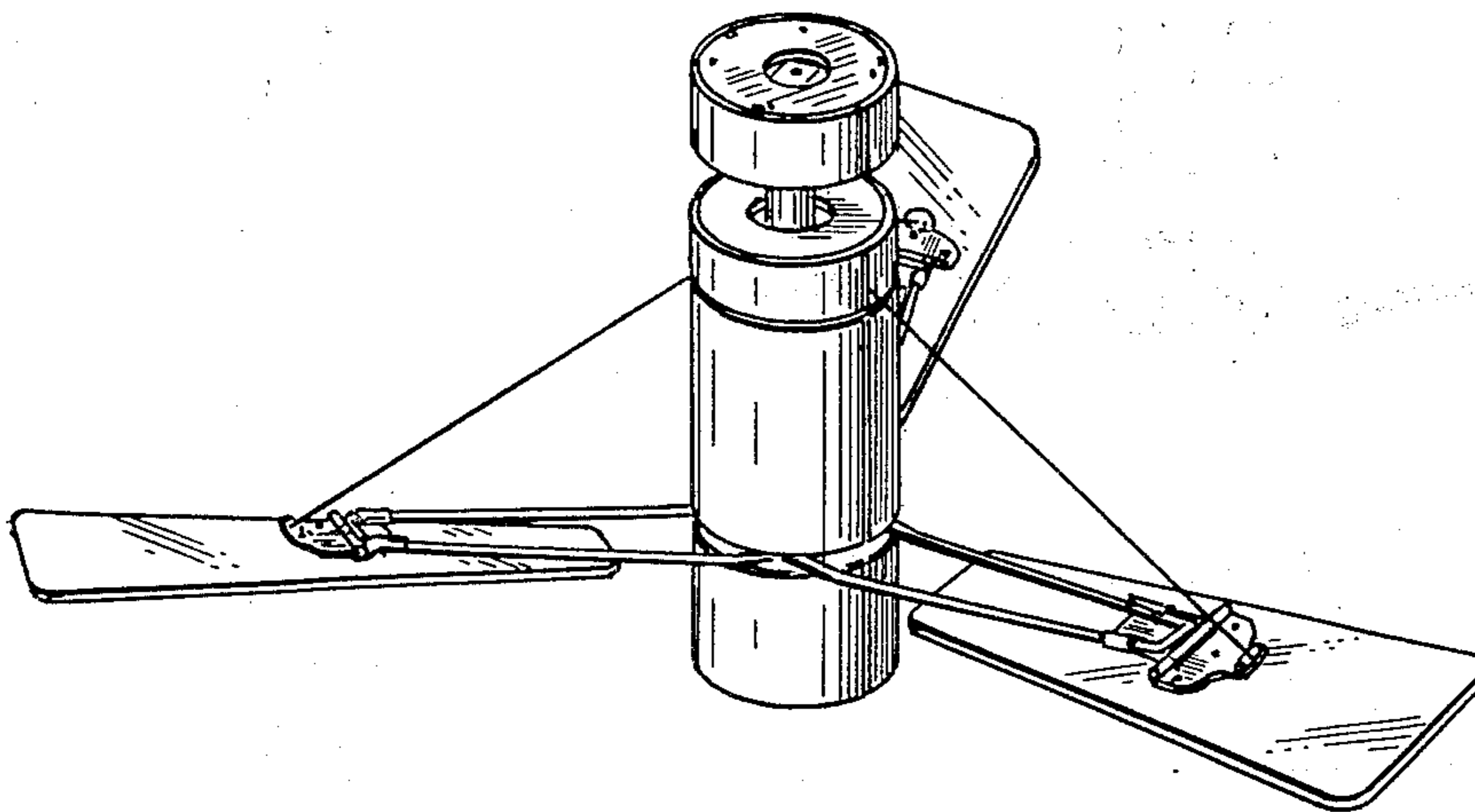
DESCRIPTION

FIG. 1 is a top perspective view of a ceiling fan showing my new design;

FIG. 2 is a top plan view thereof;

FIG. 3 is a front elevation view thereof, the rear and adjacent sides being substantially similar in appearance; and

FIG. 4 is a bottom plan view thereof.



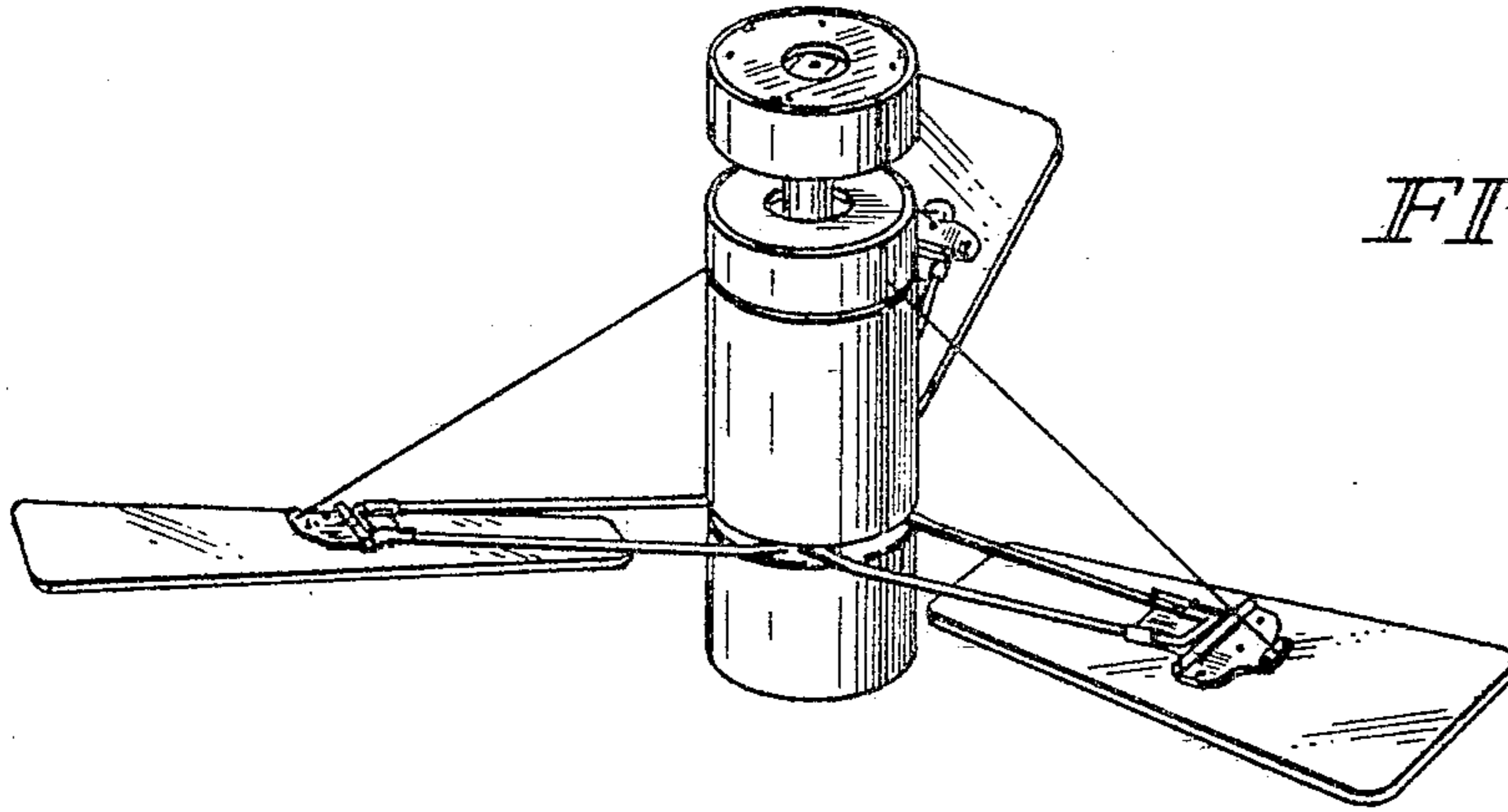


FIG. 1

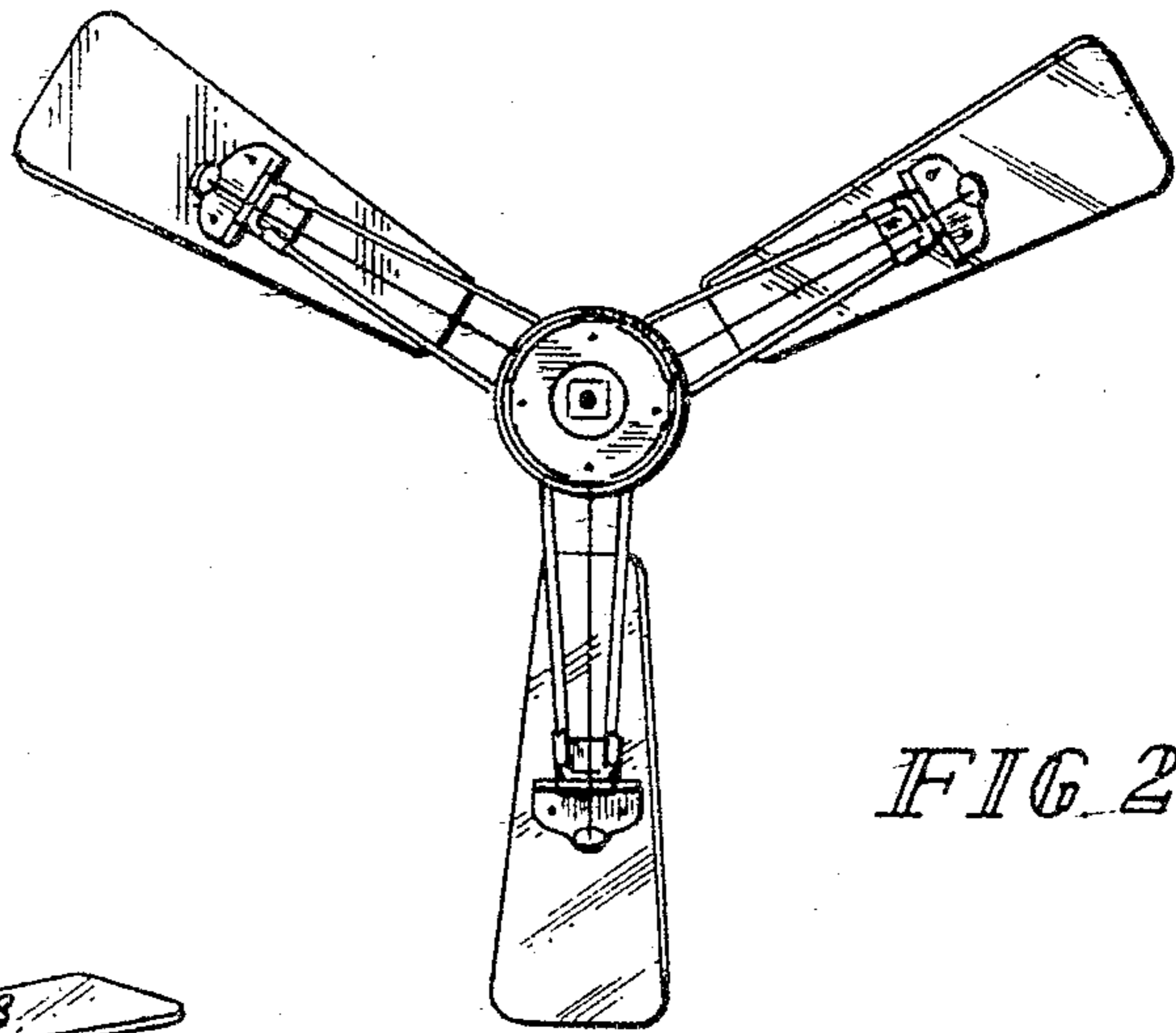


FIG. 2

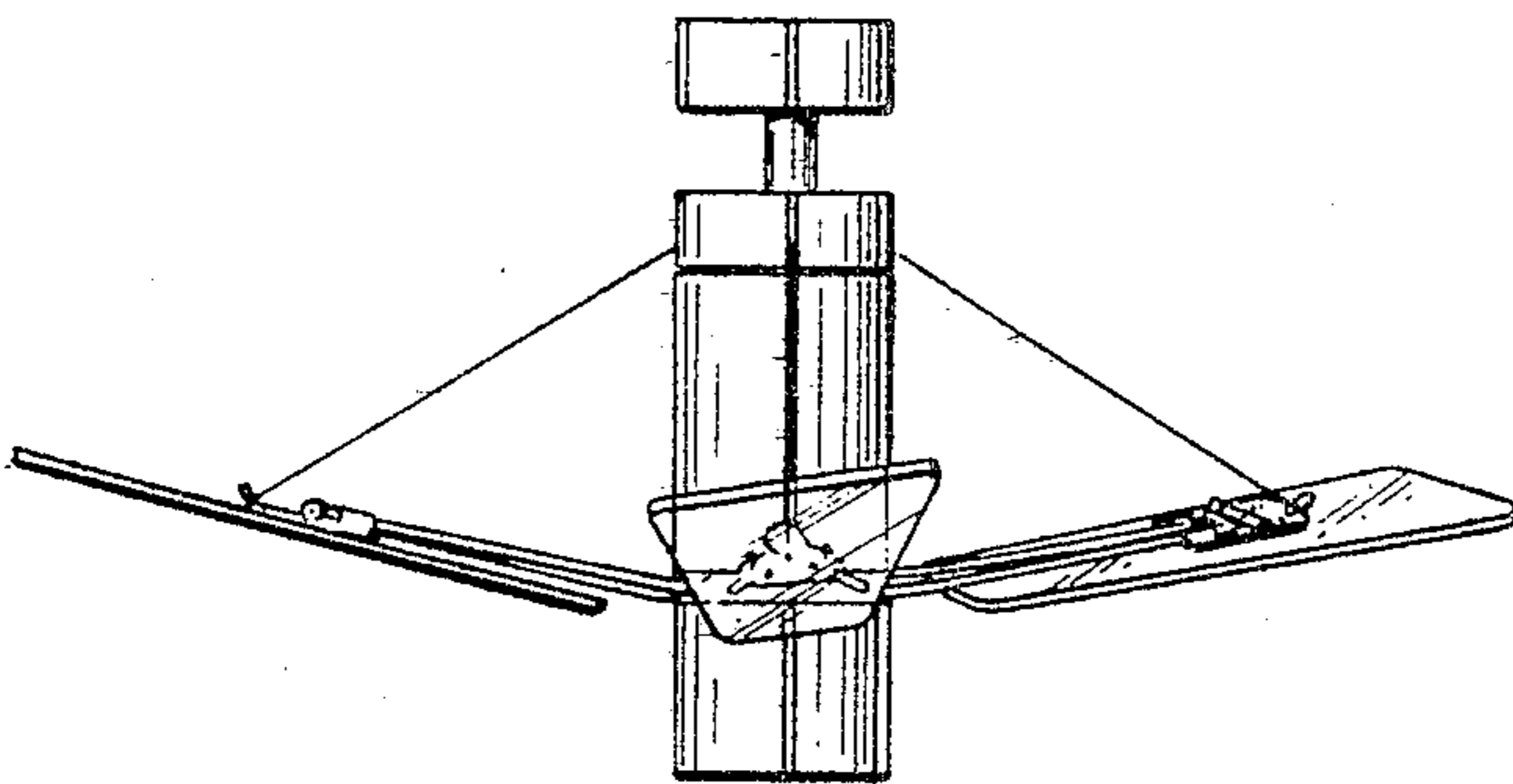


FIG. 3

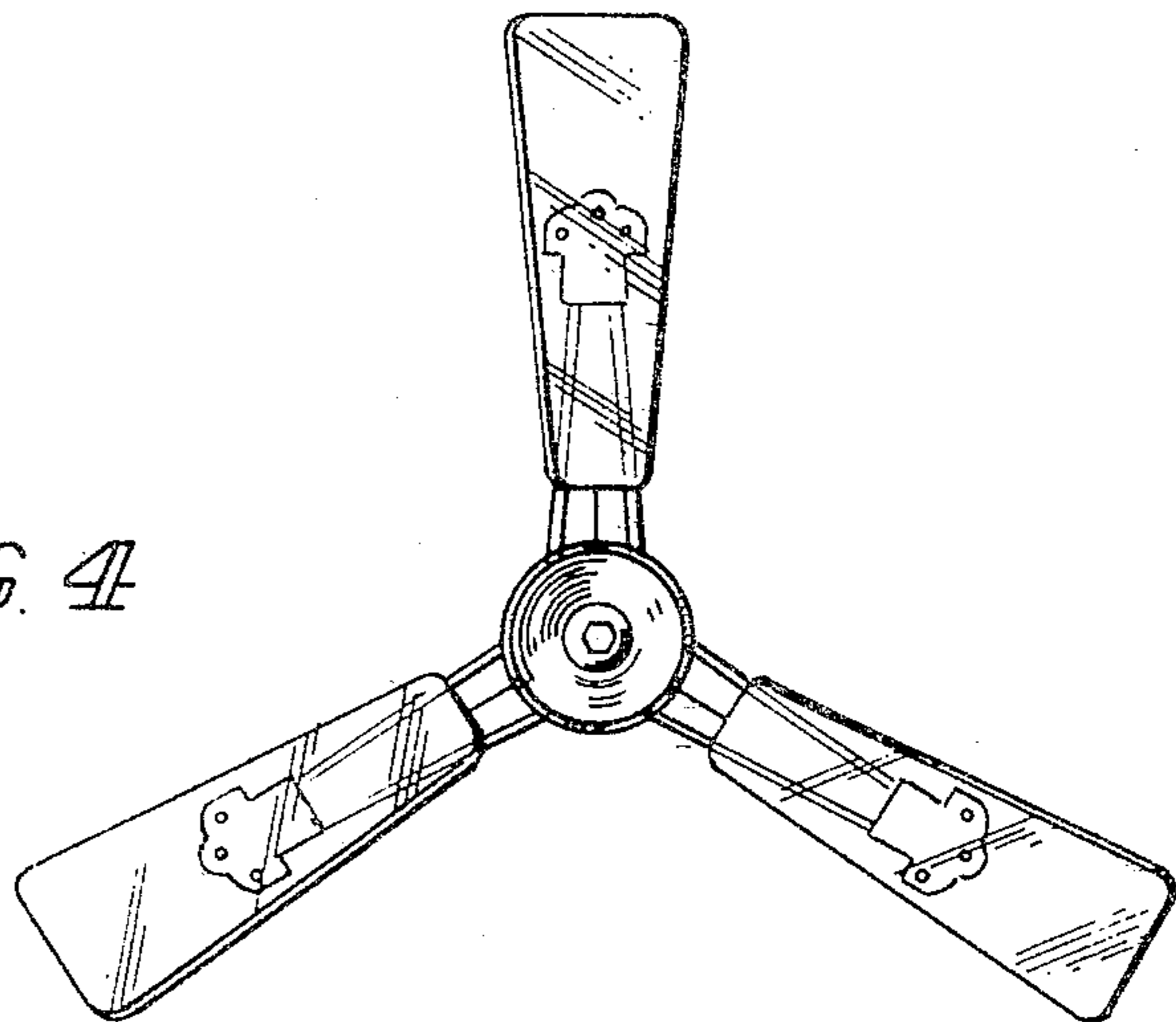


FIG. 4