

[54] EXHAUST FAN HOUSING

[76] Inventor: Dirk Van Ee, Box 2693, Humboldt, Saskatchewan, Canada, S0K 2A0

[**] Term: 14 Years

[21] Appl. No.: 738,990

[22] Filed: May 29, 1985

[52] U.S. Cl. D23/371

[58] Field of Search D23/139, 155, 158, 161-163; 98/29, 33, 31.5, 32, 35, 37, 37.55, 38.3, 40.18, 40.19, 41.2, 42.01.42.02, 42.07, 42.13, 54, 61-62, 94.1, 115.1-115.4, DIG. 6; 138/DIG. 4, 118; 126/299

[56] References Cited

U.S. PATENT DOCUMENTS

- D. 257,060 9/1980 Mann D23/163
- D. 261,803 11/1981 Bohanon, Jr. D23/163
- D. 262,886 2/1982 Yoshimura D23/139 X

- D. 272,846 2/1984 McVicker et al. D23/139
- 2,625,872 1/1953 Follausber et al. 138/DIG. 4 X
- 2,828,682 4/1958 Marker 98/42.07
- 3,987,713 10/1976 Larkfeidt et al. 98/40.18
- 4,266,470 5/1981 Schroder et al. 98/40.11

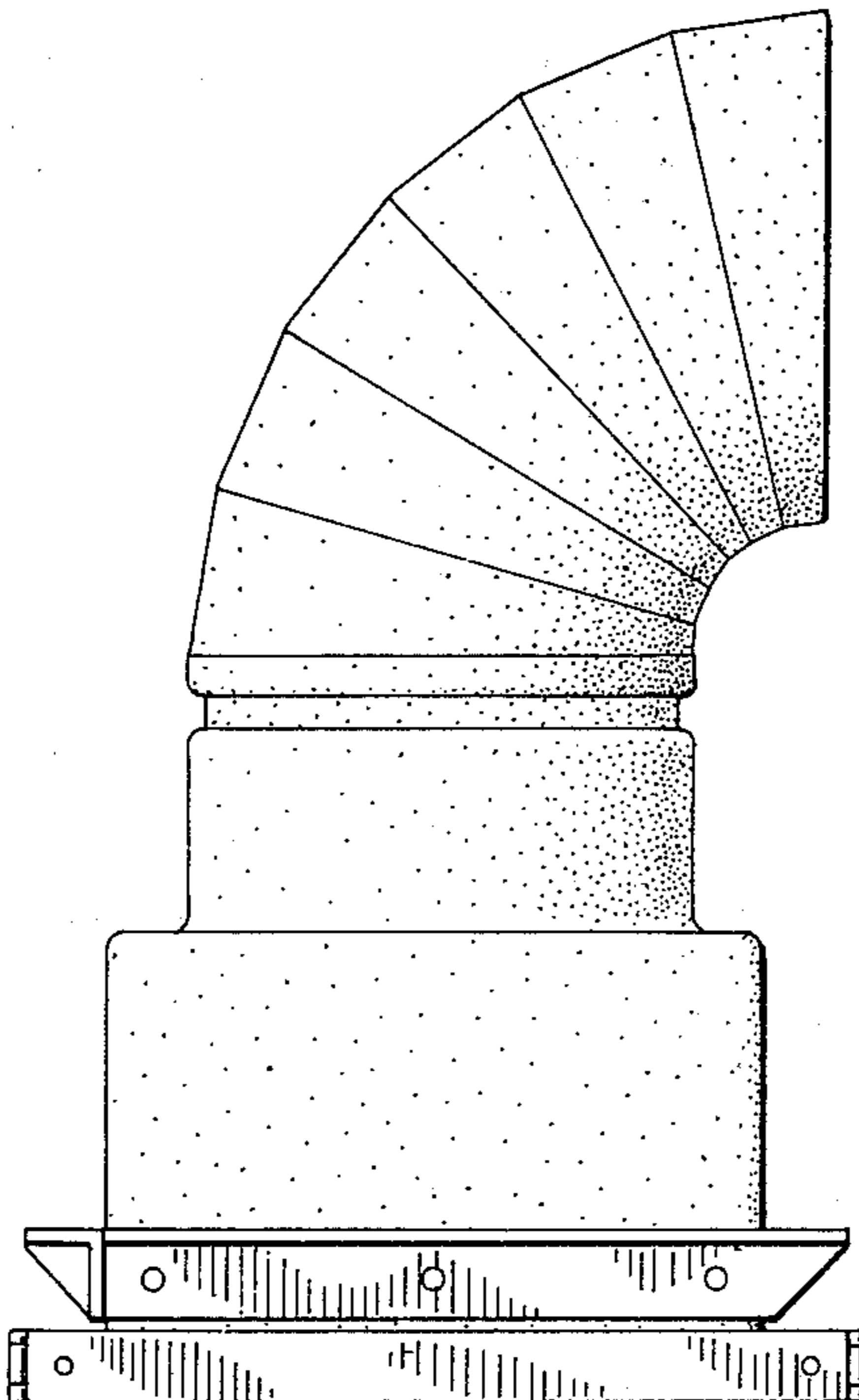
Primary Examiner—Wallace R. Burke
Assistant Examiner—Brian N. Vinson
Attorney, Agent, or Firm—Stanley G. Ade; Adrian D. Battison

[57] CLAIM

The ornamental design for an exhaust fan housing, as shown and described.

DESCRIPTION

FIG. 1 is a front elevational view of an exhaust fan housing showing my new design; FIG. 2 is a top plan view thereof; FIG. 3 is a left side elevational view thereof, the right side being a mirror image; FIG. 4 is a rear elevational view thereof; and FIG. 5 is a bottom plan view thereof.



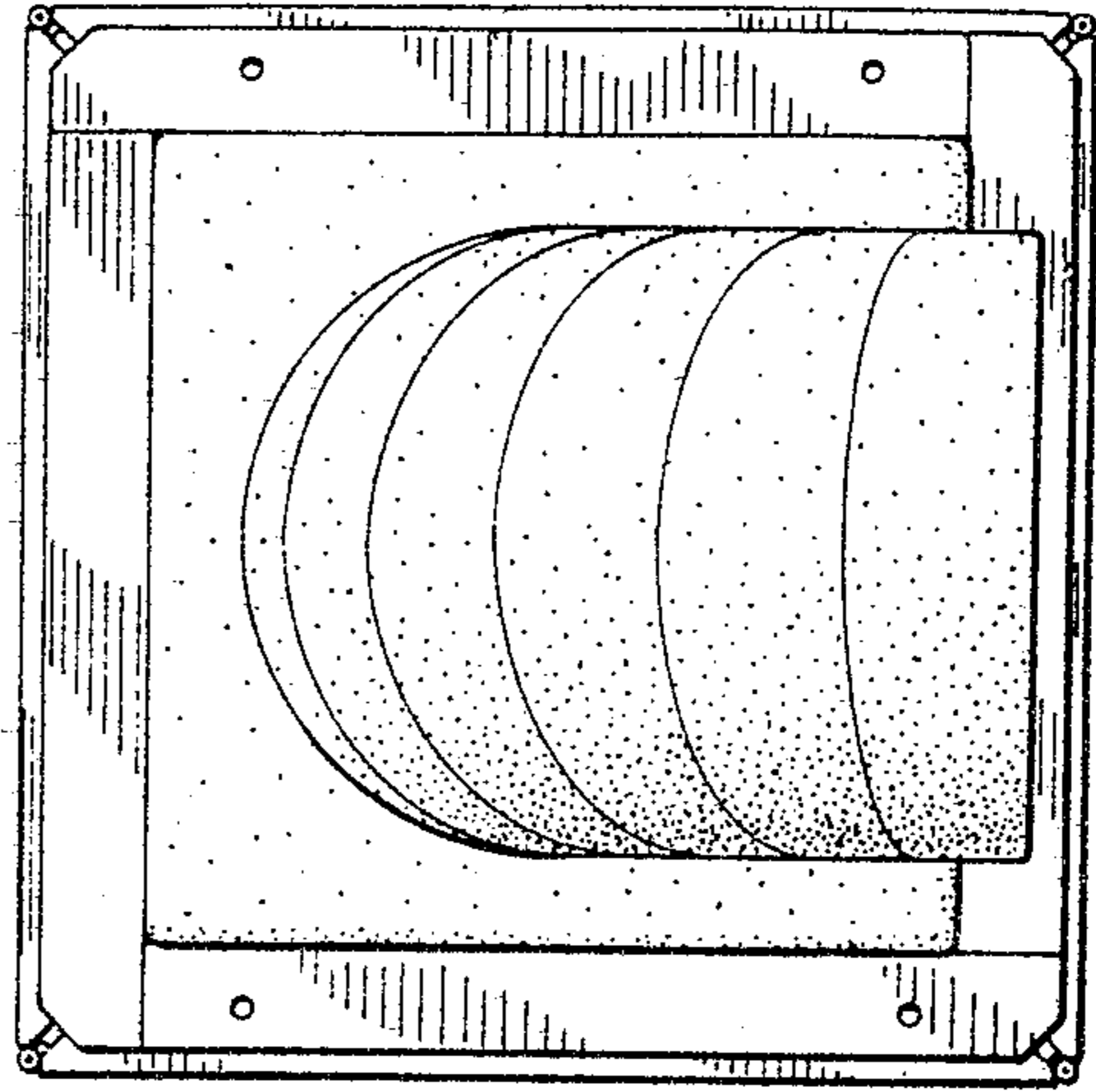


FIG. 1

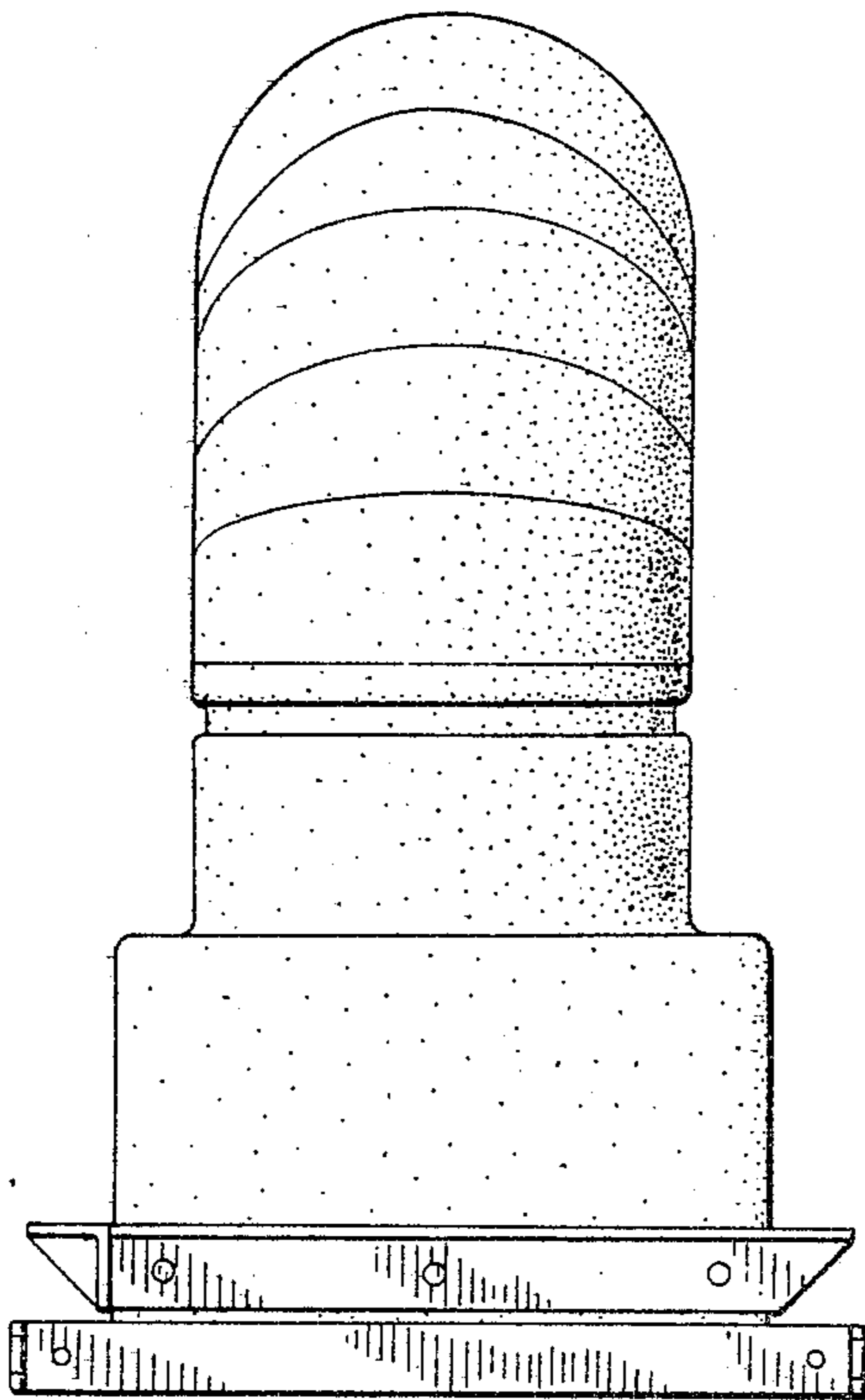


FIG. 2

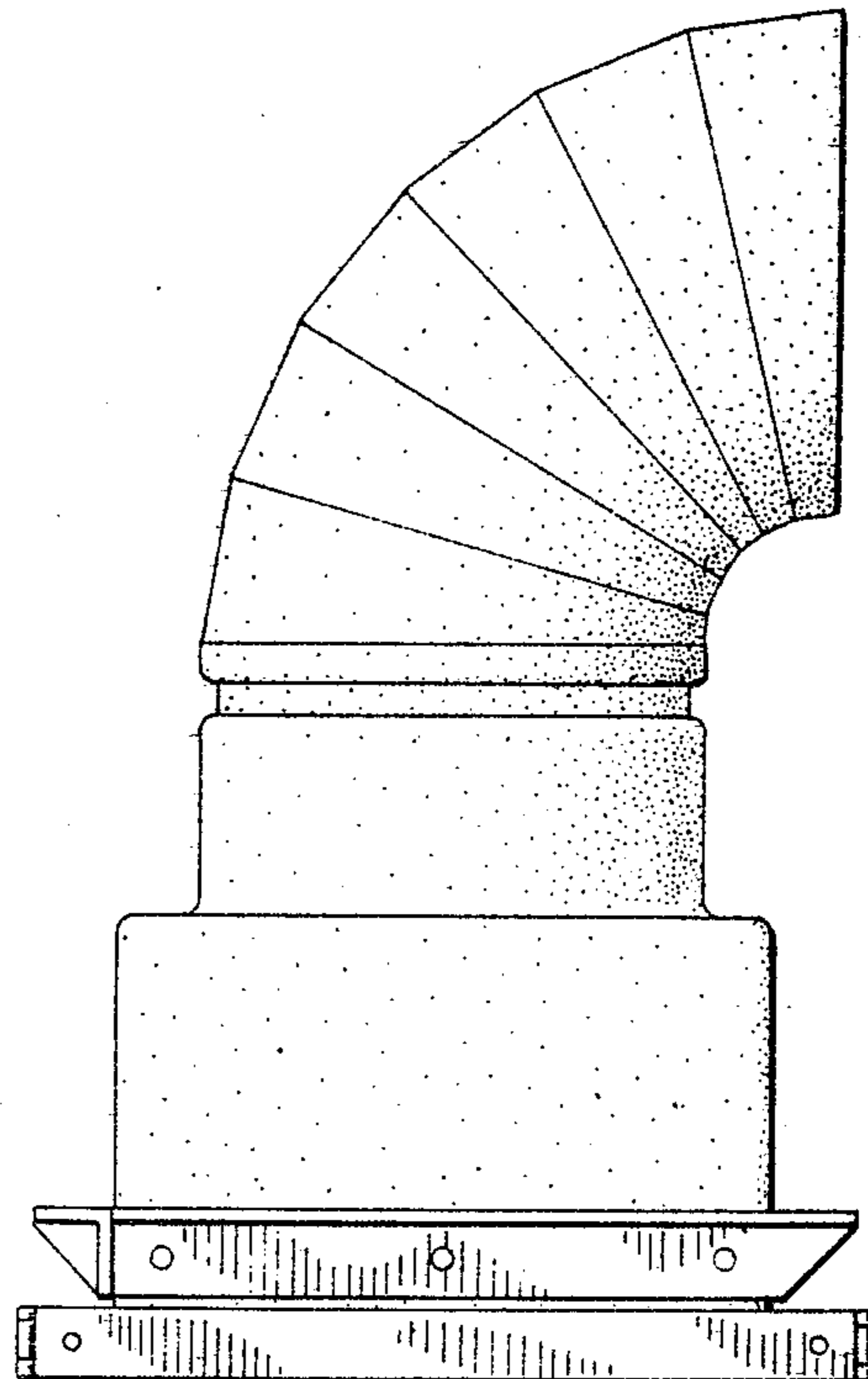


FIG. 3

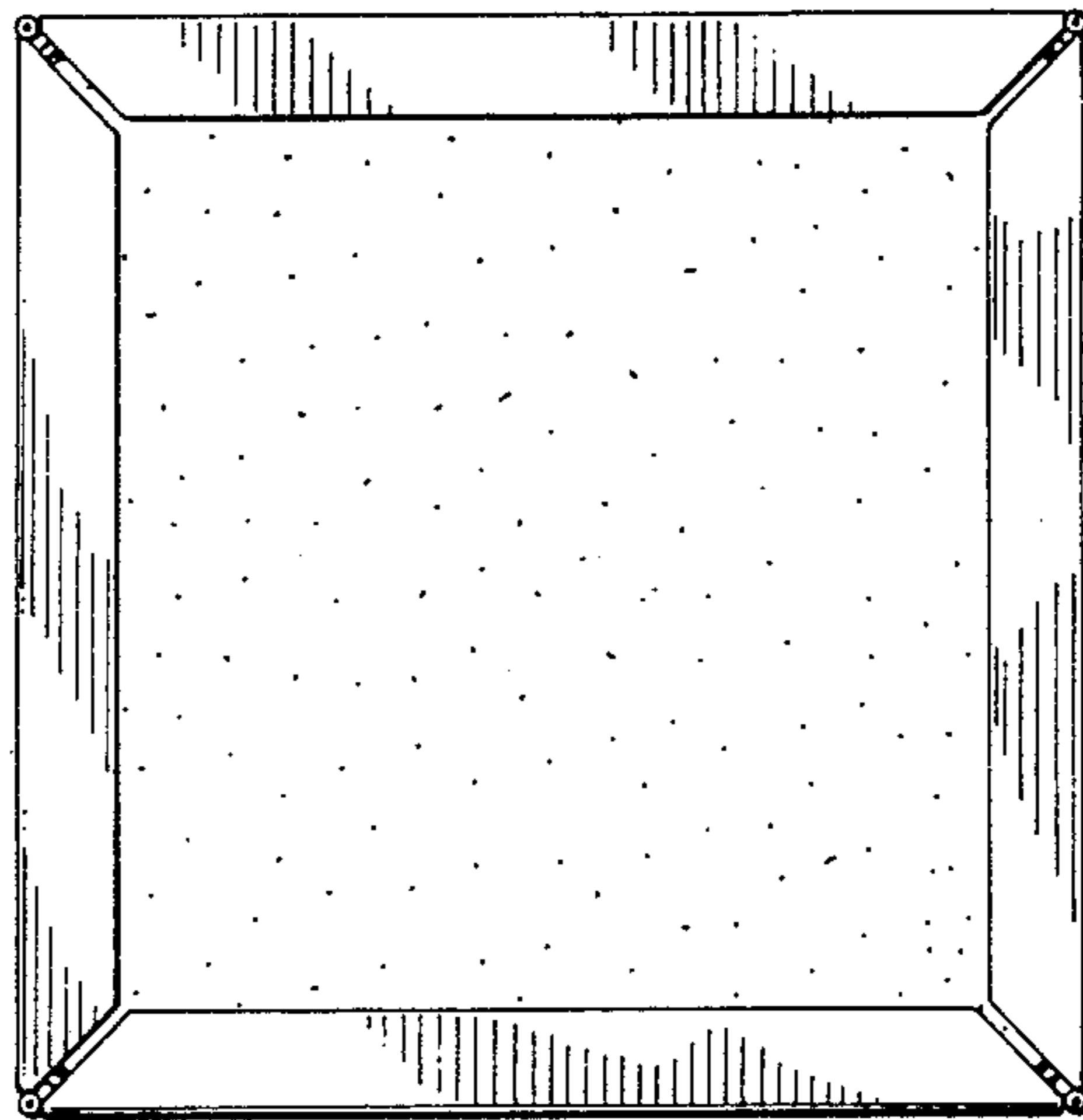


FIG. 4

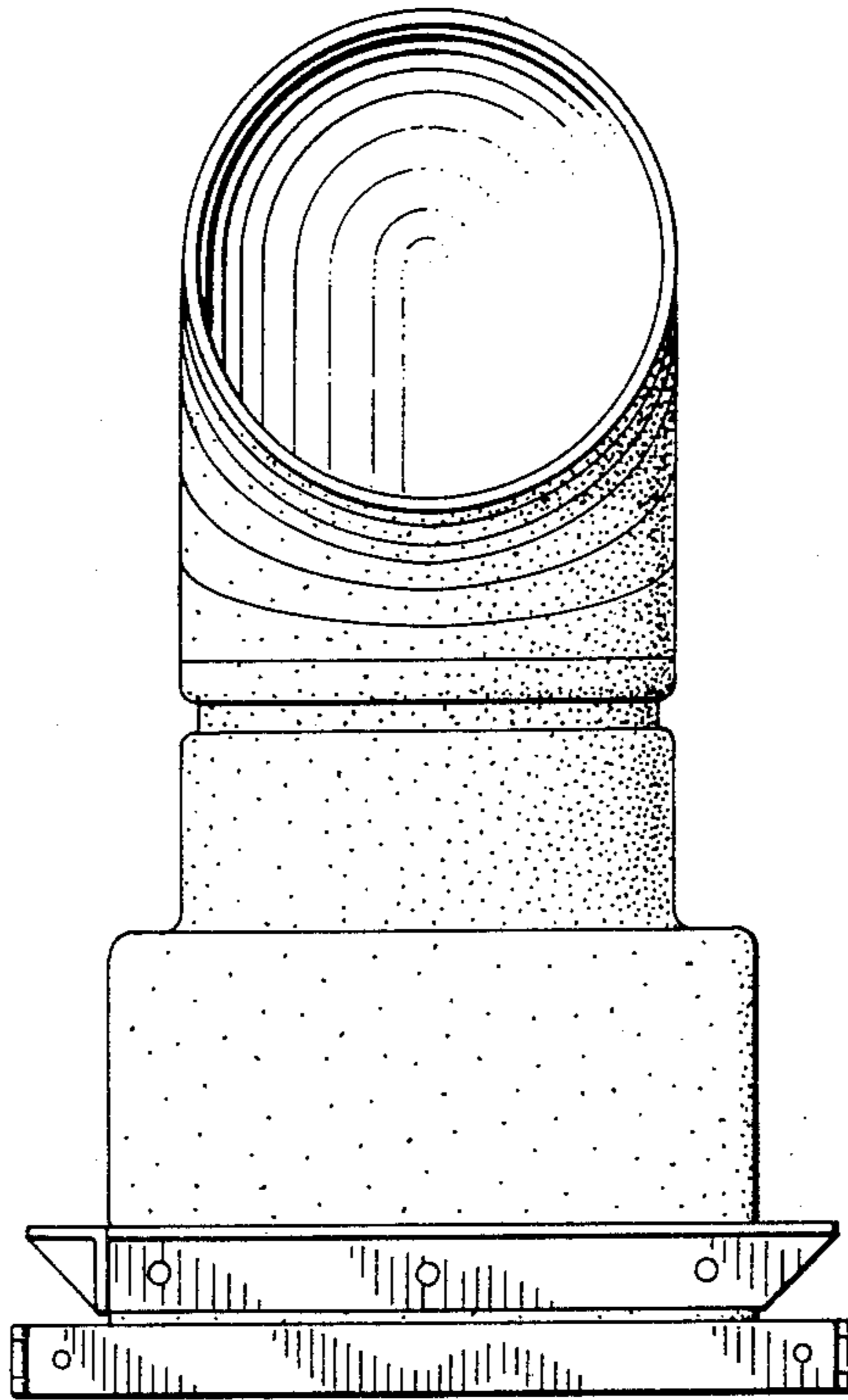


FIG. 5