

[54] FASTENING RING FOR FLUID VALVE

[76] Inventor: Jose M. F. Beltran, No. 10 - 12  
Doctor Fleming Street, Bonrepos  
(Valencia), Spain

[\*\*] Term: 14 Years

[21] Appl. No.: 620,198

[22] Filed: Jun. 13, 1984

[52] U.S. Cl. .... D23/269

[58] Field of Search ..... D23/40-47;  
277/179, 205, 207, 215; 285/230, 231, 345

[56] References Cited

U.S. PATENT DOCUMENTS

- D. 30,405 3/1899 Gilbert ..... D23/47
- D. 32,960 7/1900 Naery ..... D23/47
- D. 56,847 1/1921 Armstrong ..... D23/47
- D. 281,525 11/1986 Gilbert ..... D23/47

- 2,702,220 2/1955 Johnson ..... 277/205 X
- 3,171,659 3/1965 Anderson et al. .... 277/205 X
- 4,577,656 3/1986 Beltran ..... 137/375

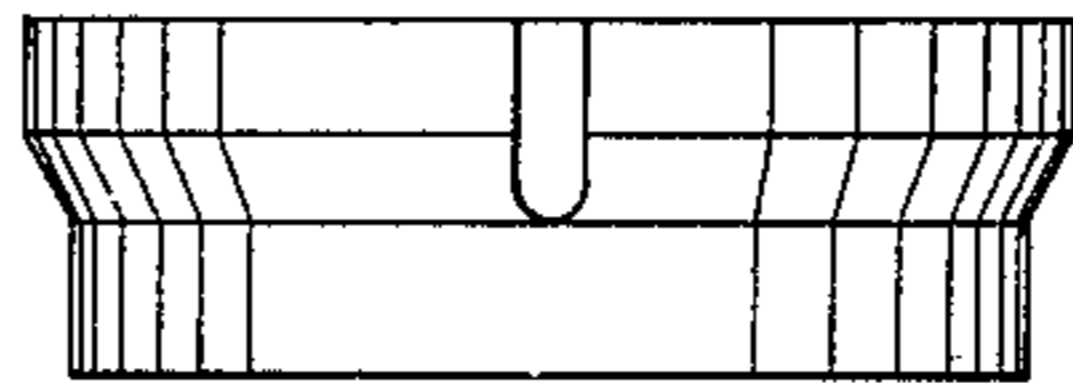
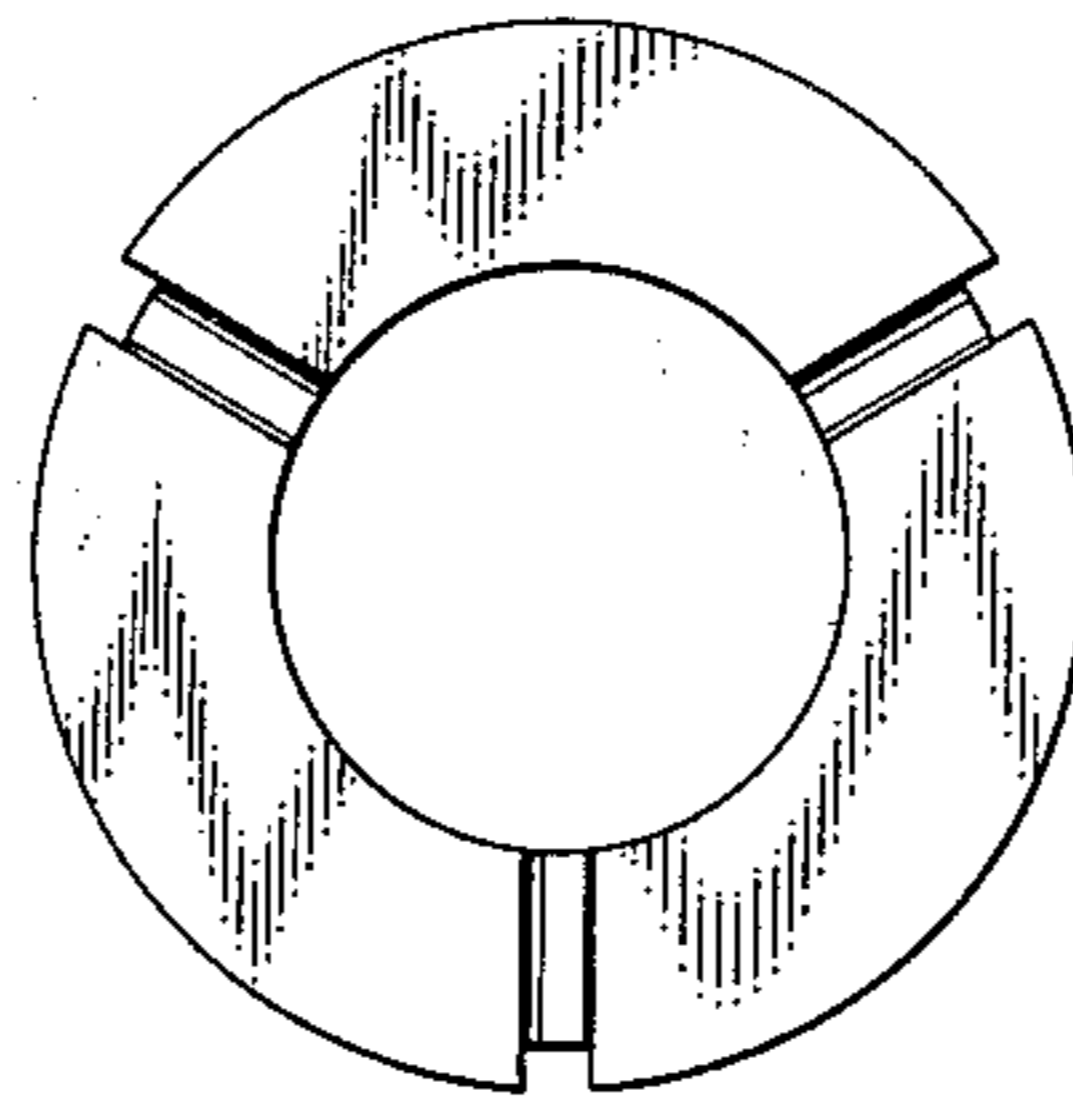
Primary Examiner—James R. Largen  
Attorney, Agent, or Firm—Flynn, Thiel, Boutell & Tanis

[57] CLAIM

The ornamental design of a fastening ring for fluid valve, as shown and described.

DESCRIPTION

FIG. 1 is a top plan view of a fastening ring for fluid valve showing my design;  
 FIG. 2 is a bottom view thereof;  
 FIG. 3 is a front elevational view thereof;  
 FIG. 4 is a rear elevational view thereof;  
 FIG. 5 is a left side elevational view thereof, the right side being substantially identical to the left side shown;  
 and  
 FIG. 6 is a cross-sectional view thereof.



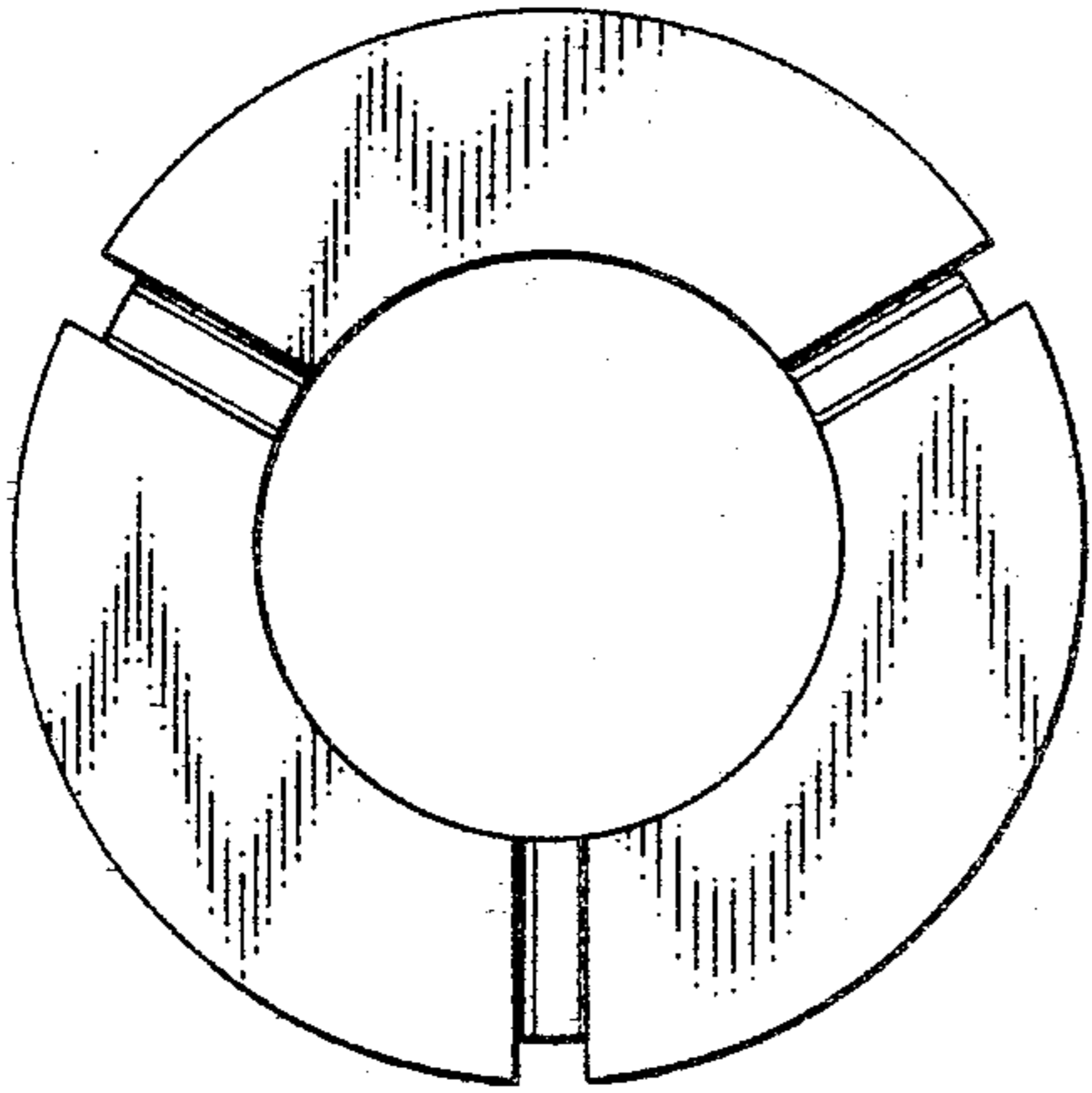


FIG. 1

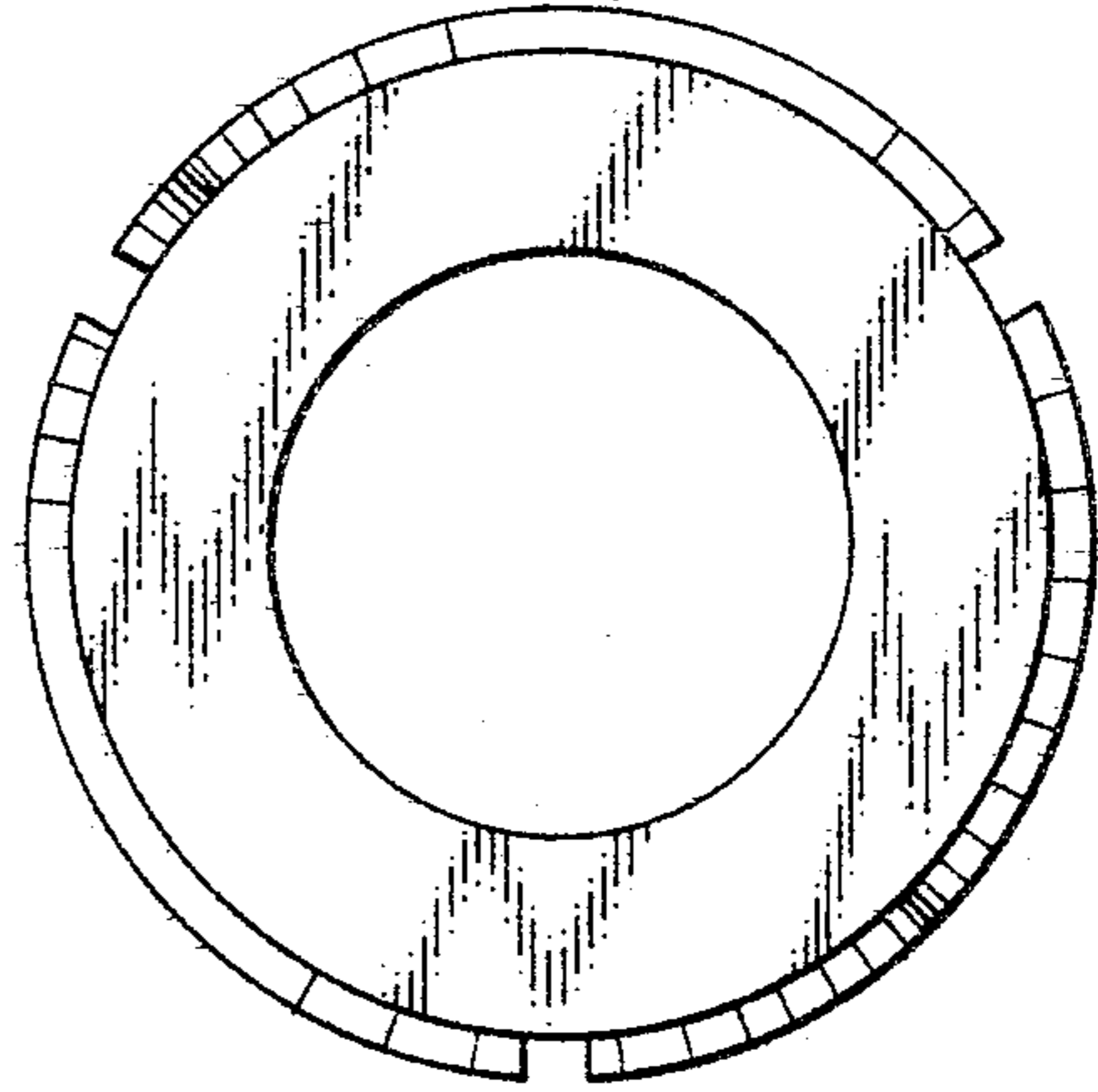


FIG. 2

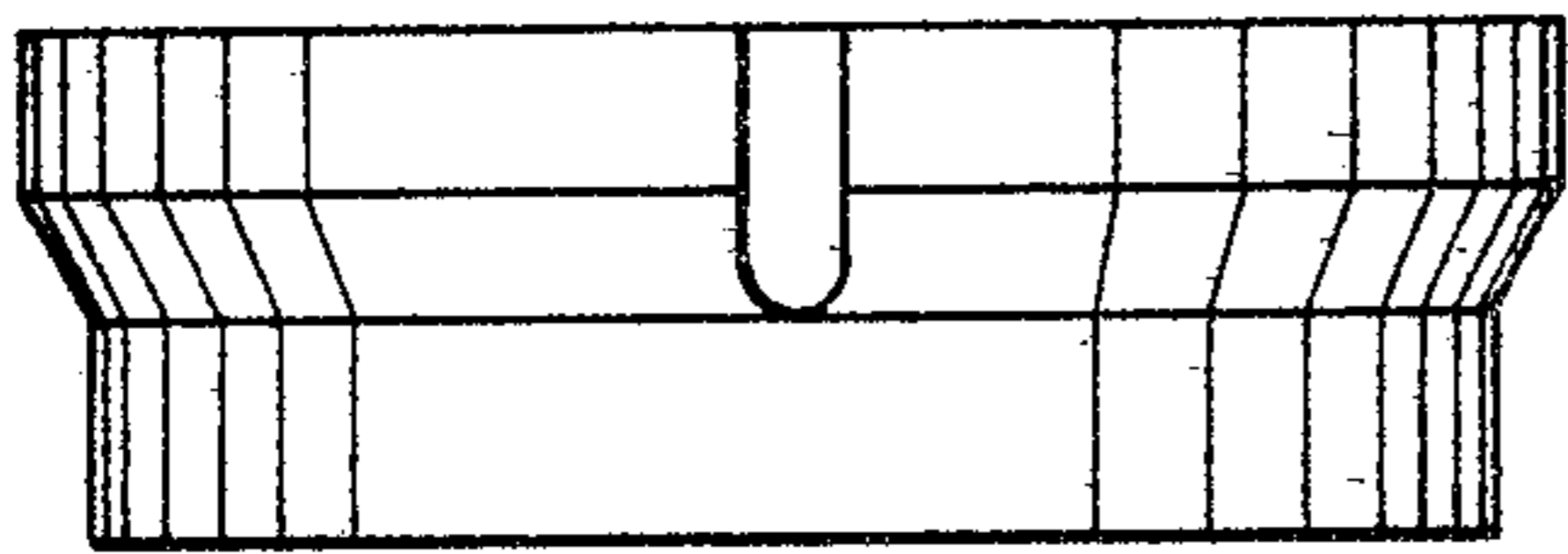


FIG. 3

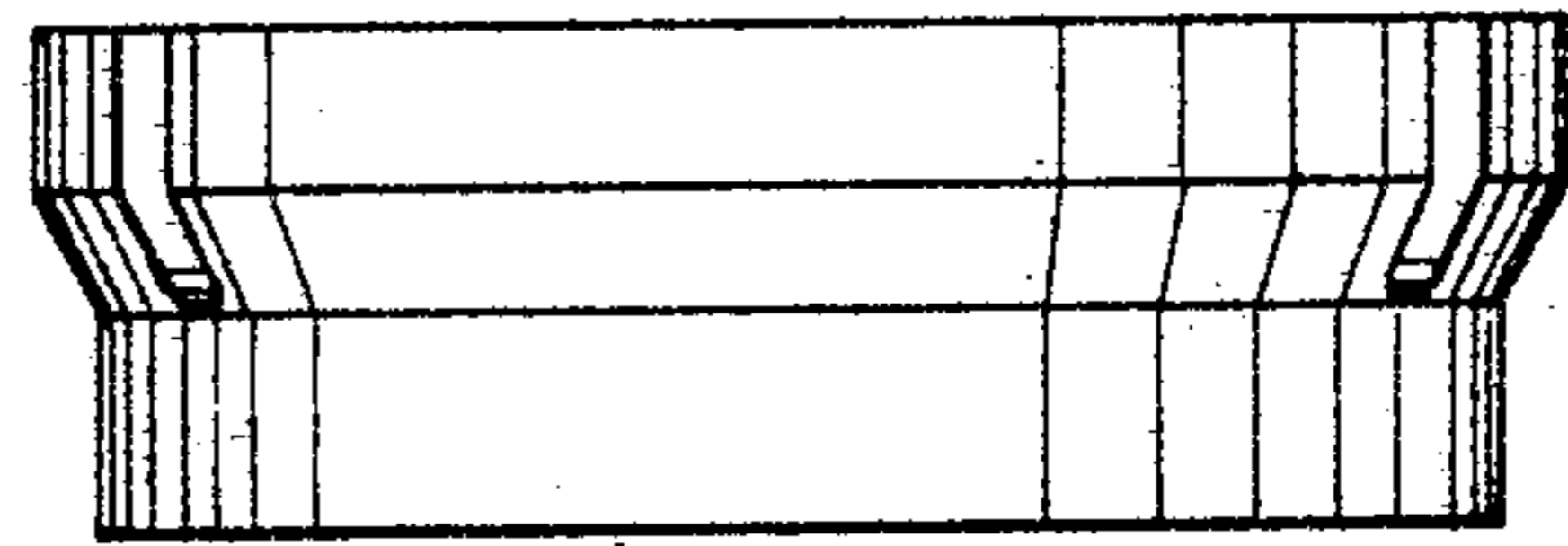


FIG. 4

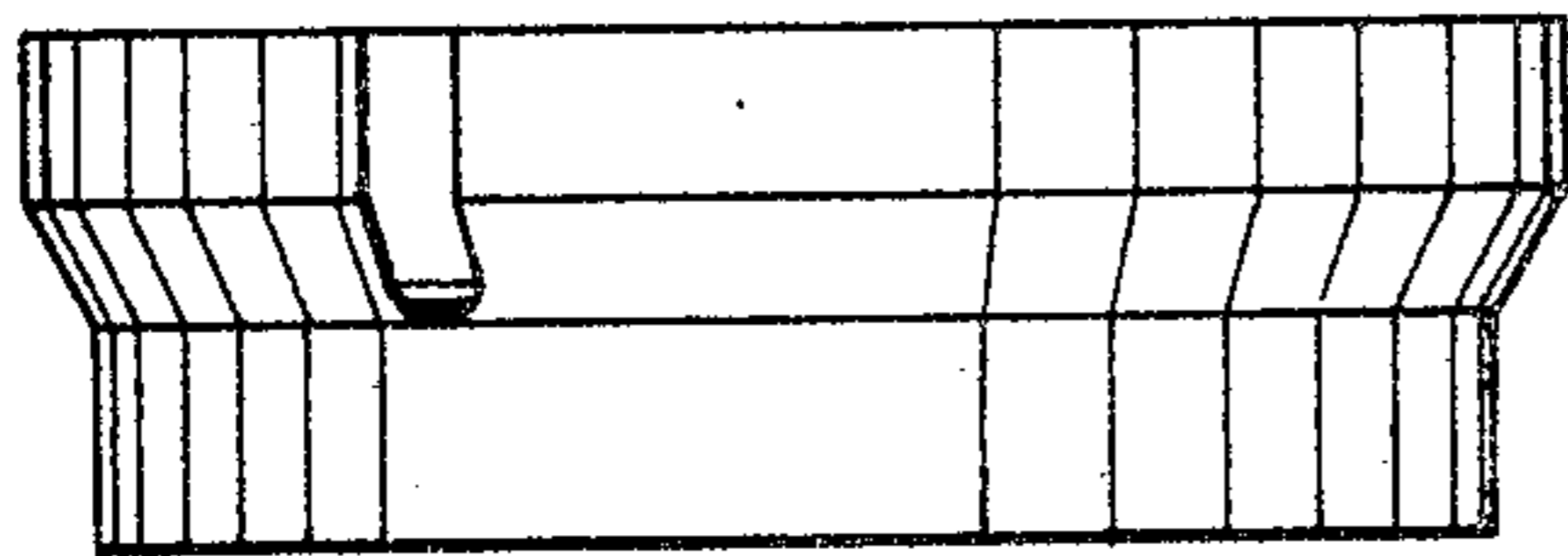


FIG. 5

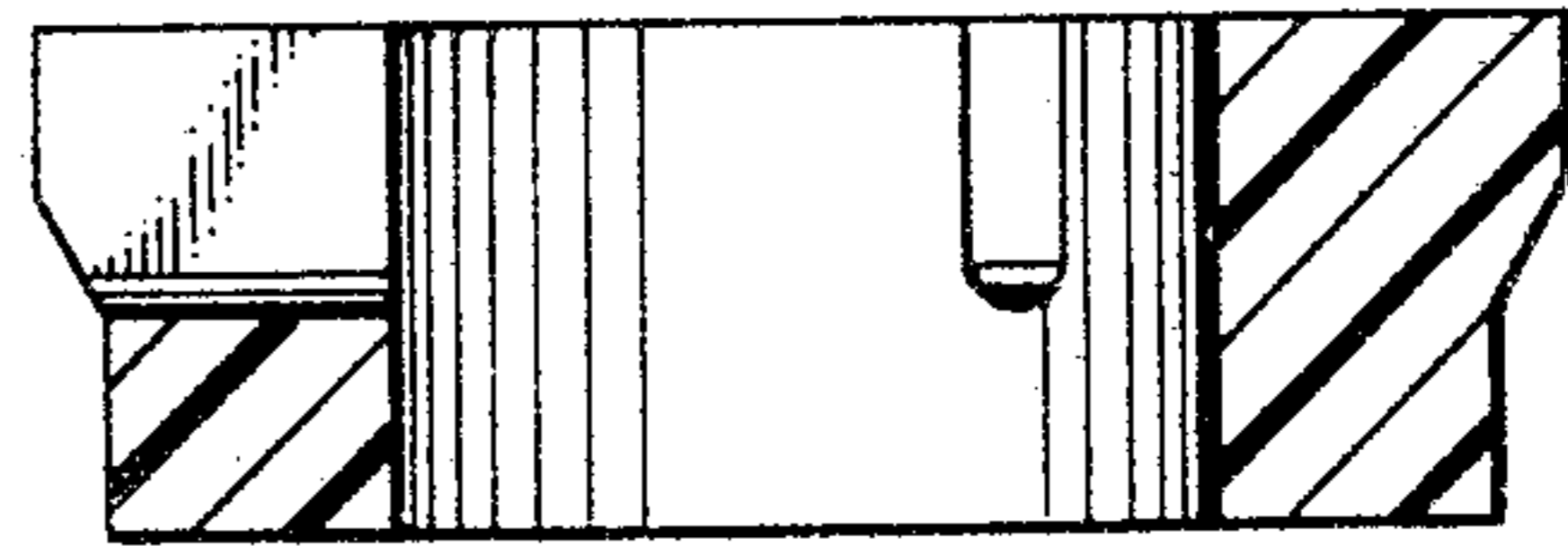


FIG. 6