

[54] **BICYCLE ERGOMETER FRAME**

[75] **Inventor: Sven Ostrom, Varberg, Sweden**

[73] **Assignee: Monark AB, Sweden**

[\*\*] **Term: 14 Years**

[21] **Appl. No.: 772,754**

[22] **Filed: Sep. 5, 1985**

[52] **U.S. Cl. .... D21/194; D12/111**

[58] **Field of Search ..... D12/111, 117; 272/70.3, 272/73, DIG. 6, 132, 144**

[56] **References Cited**

**U.S. PATENT DOCUMENTS**

D. 30,733 5/1899 Robbins ..... D12/111

D. 251,747 5/1979 Valentine et al. .... D21/194  
D. 280,118 8/1985 Collins ..... D21/194  
4,602,781 7/1986 LaMarsh et al. .... 272/73

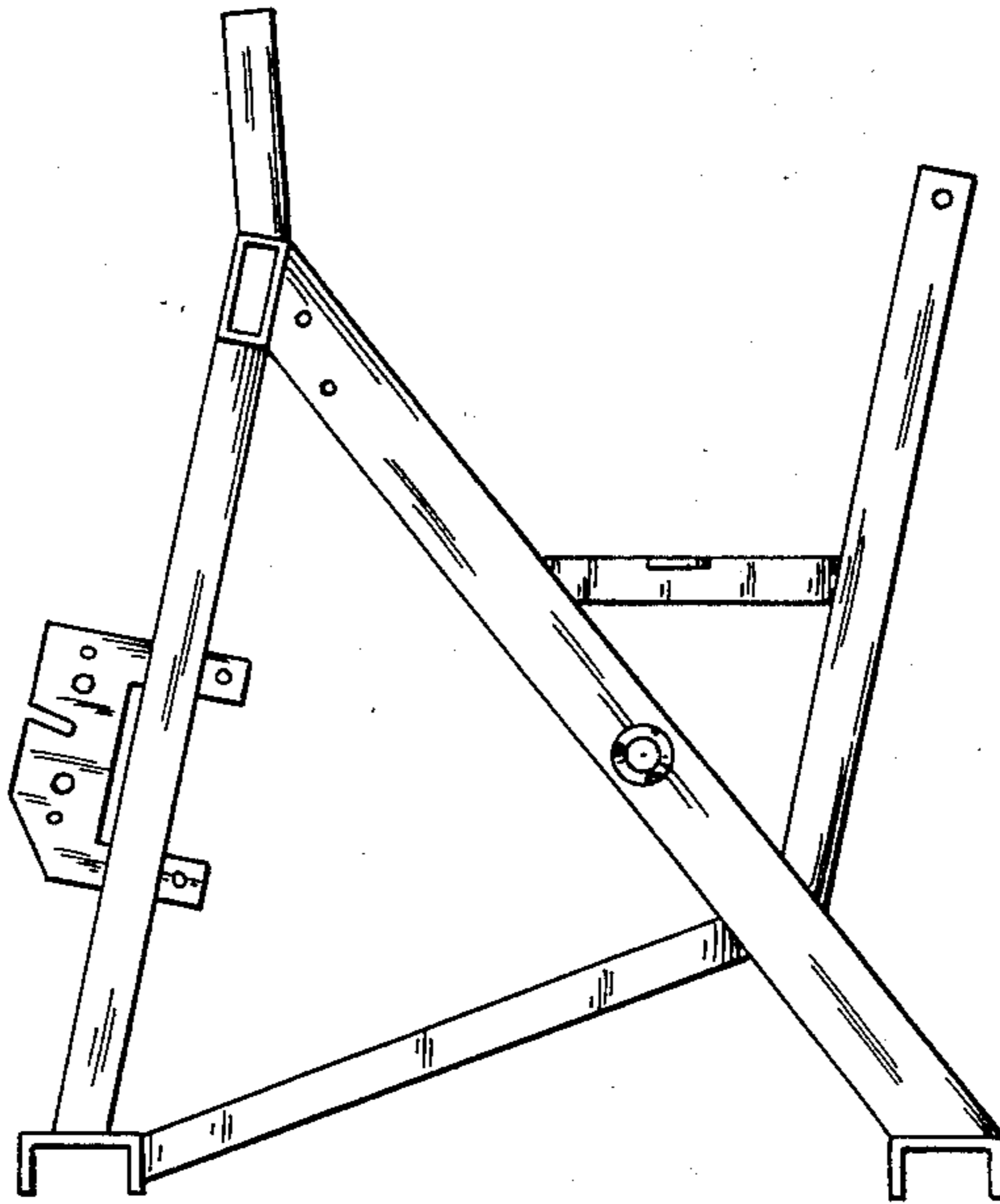
*Primary Examiner*—Charles A. Rademaker  
*Attorney, Agent, or Firm*—Laff, Whitesel, Conte & Saret

[57] **CLAIM**

The ornamental design for a bicycle ergometer frame, as shown.

**DESCRIPTION**

FIG. 1 is a side elevational view of a bicycle ergometer frame showing my new design; FIG. 2 is a top plan view thereof; FIG. 3 is a front elevational view thereof; FIG. 4 is a rear elevational view thereof; and, FIG. 5 is a bottom plan view thereof.



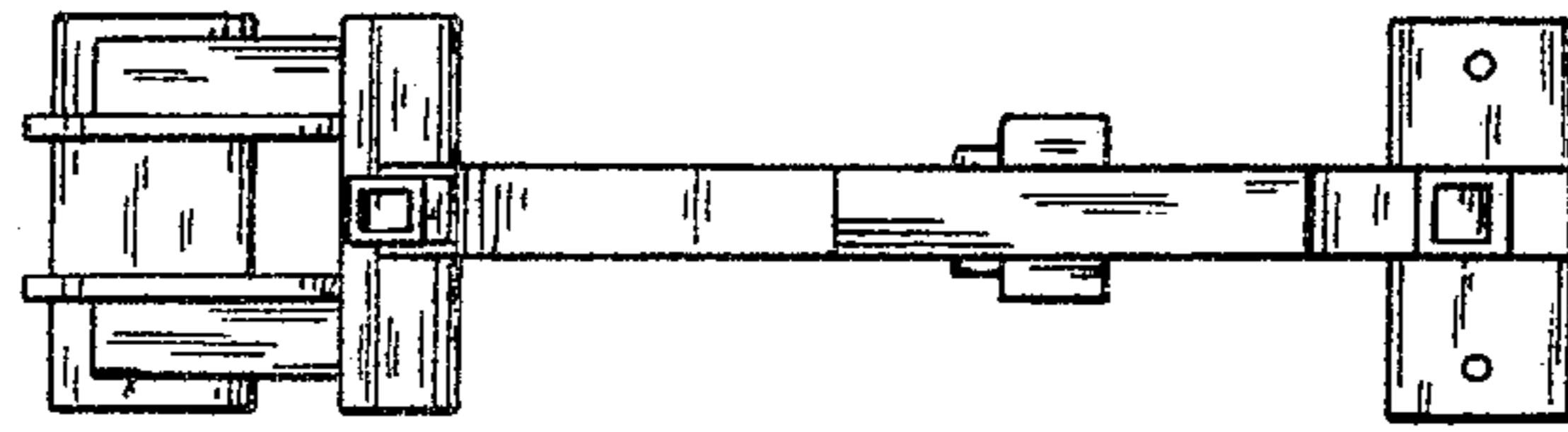


FIG. 2

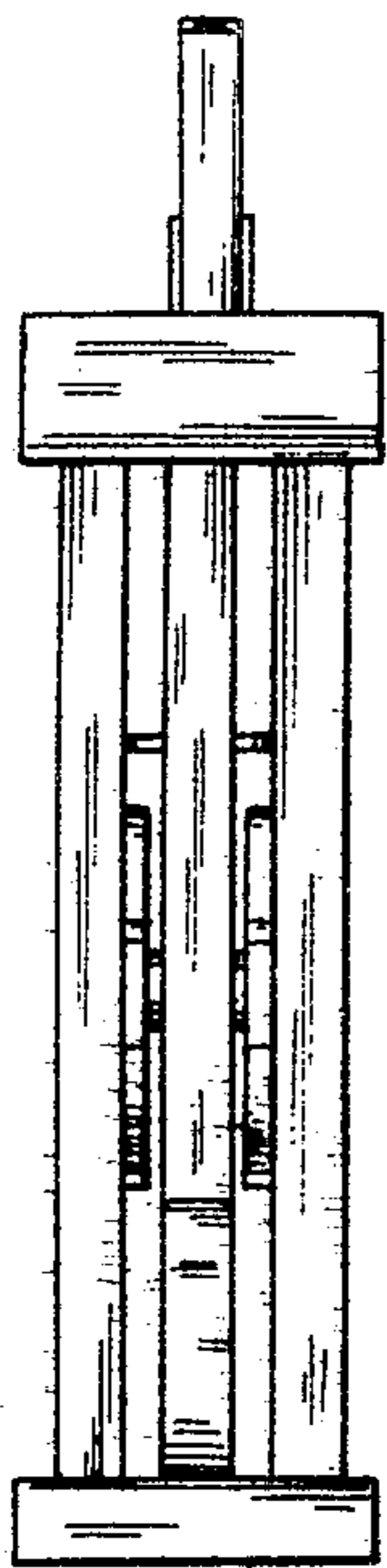


FIG. 3

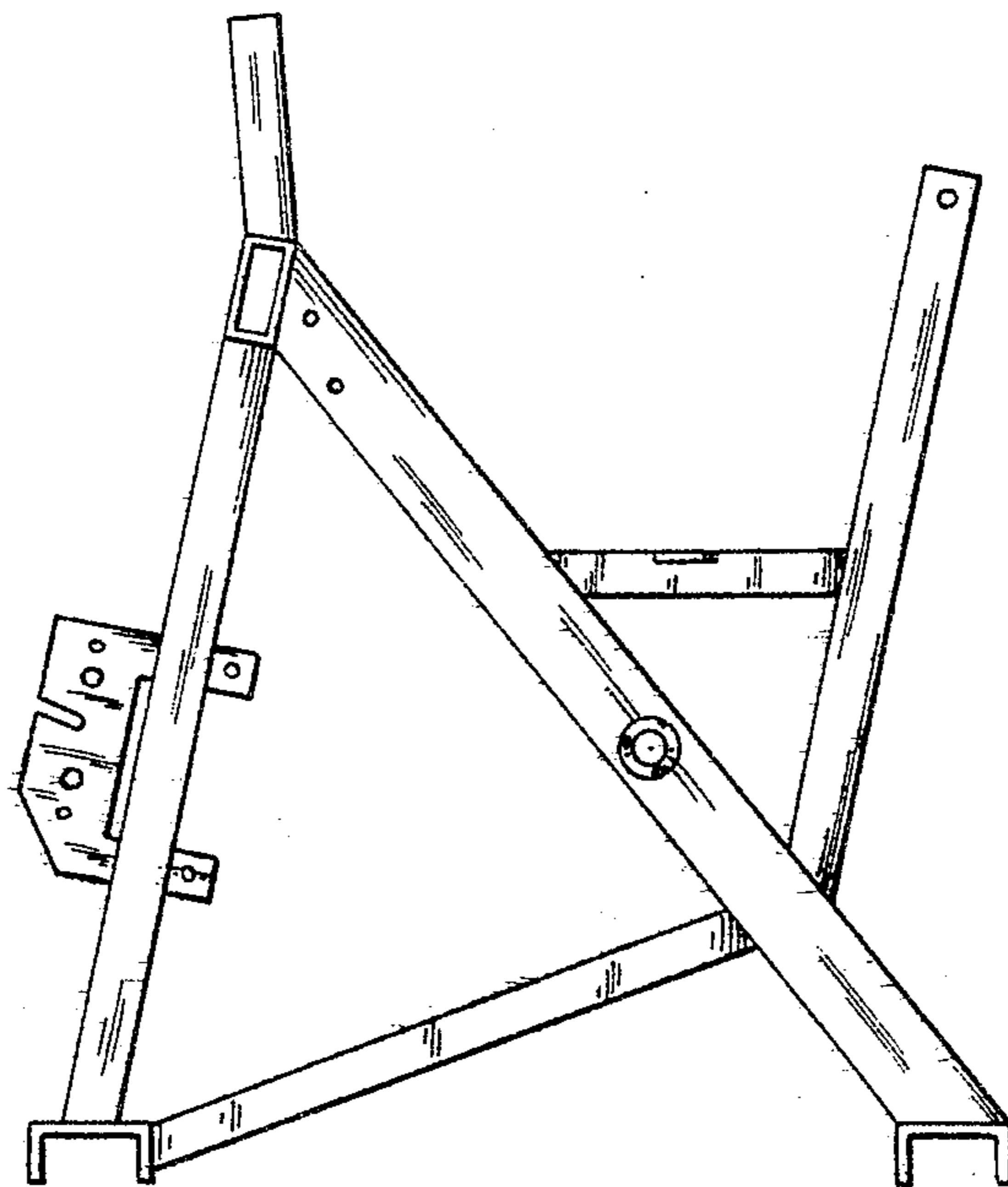


FIG. 1

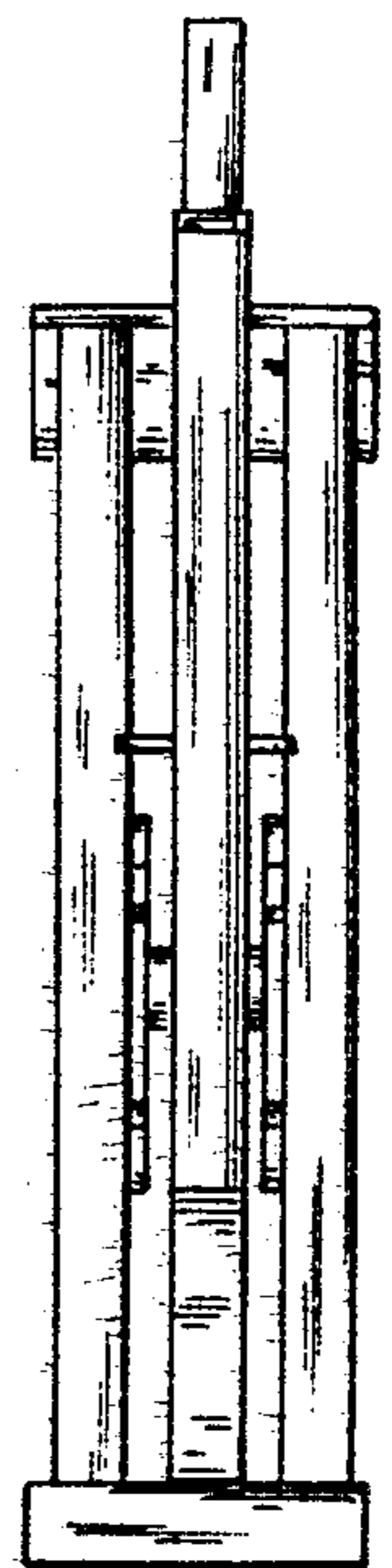


FIG. 4

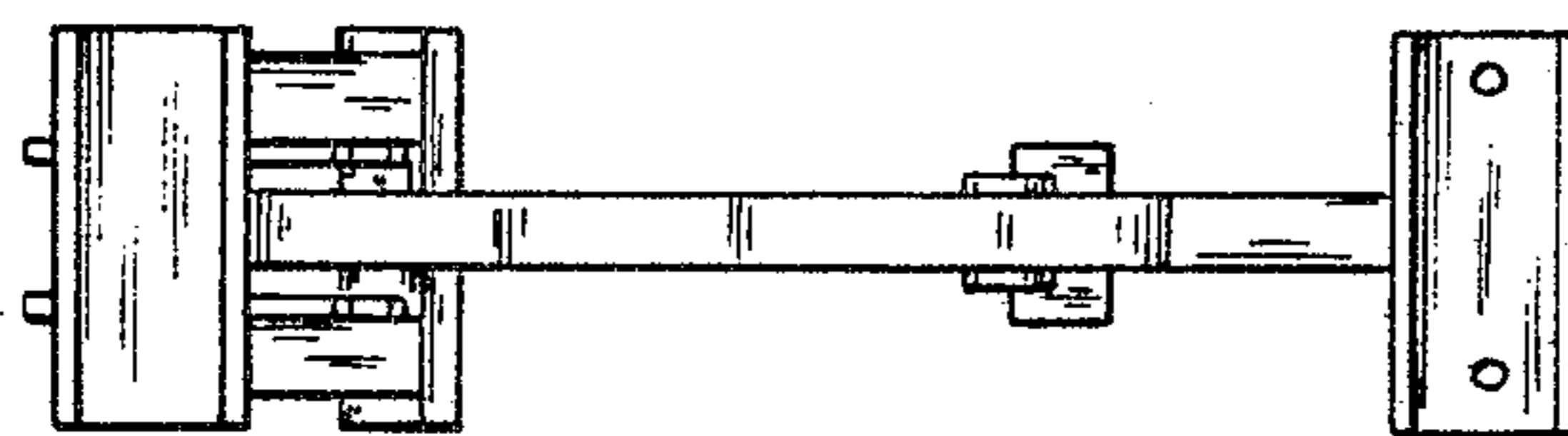


FIG. 5