

[54] **SCOOTER**

[75] **Inventor: Raymond C. Phinney, East Aurora, N.Y.**

[73] **Assignee: The Quaker Oats Company, Chicago, Ill.**

[**] **Term: 14 Years**

[21] **Appl. No.: 782,877**

[22] **Filed: Oct. 2, 1985**

[52] **U.S. Cl. D21/80**

[58] **Field of Search D21/81, 80; 280/87.1, 280/87.01, 87.02 R, 87.04 R, 62, 63**

[56] **References Cited**

U.S. PATENT DOCUMENTS

- D. 253,182 10/1979 Satten D21/80
- D. 290,027 5/1987 Mariol D21/80
- 1,674,272 6/1928 Zander 280/87.04 R

Primary Examiner—Charles A. Rademaker
Attorney, Agent, or Firm—Cumpston & Shaw

[57] **CLAIM**

The ornamental design for a scooter, substantially as shown and described.

DESCRIPTION

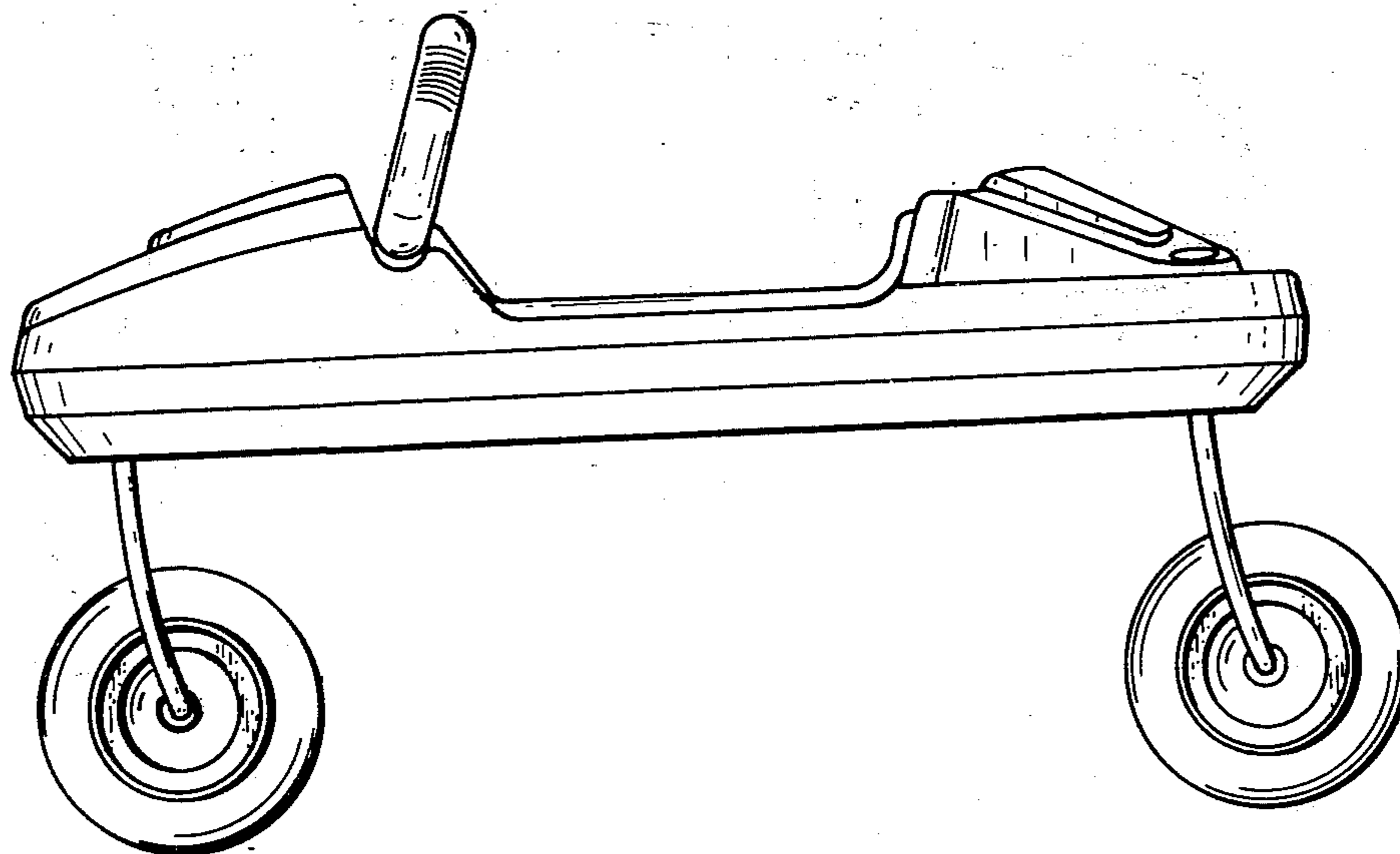
FIG. 1 is a left-side elevational view of a scooter showing my new design, the right side being substantially a mirror image;

FIG. 2 is a top plan view thereof;

FIG. 3 is a front elevational view thereof;

FIG. 4 is a rear elevational view thereof; and

FIG. 5 is a bottom plan view thereof.



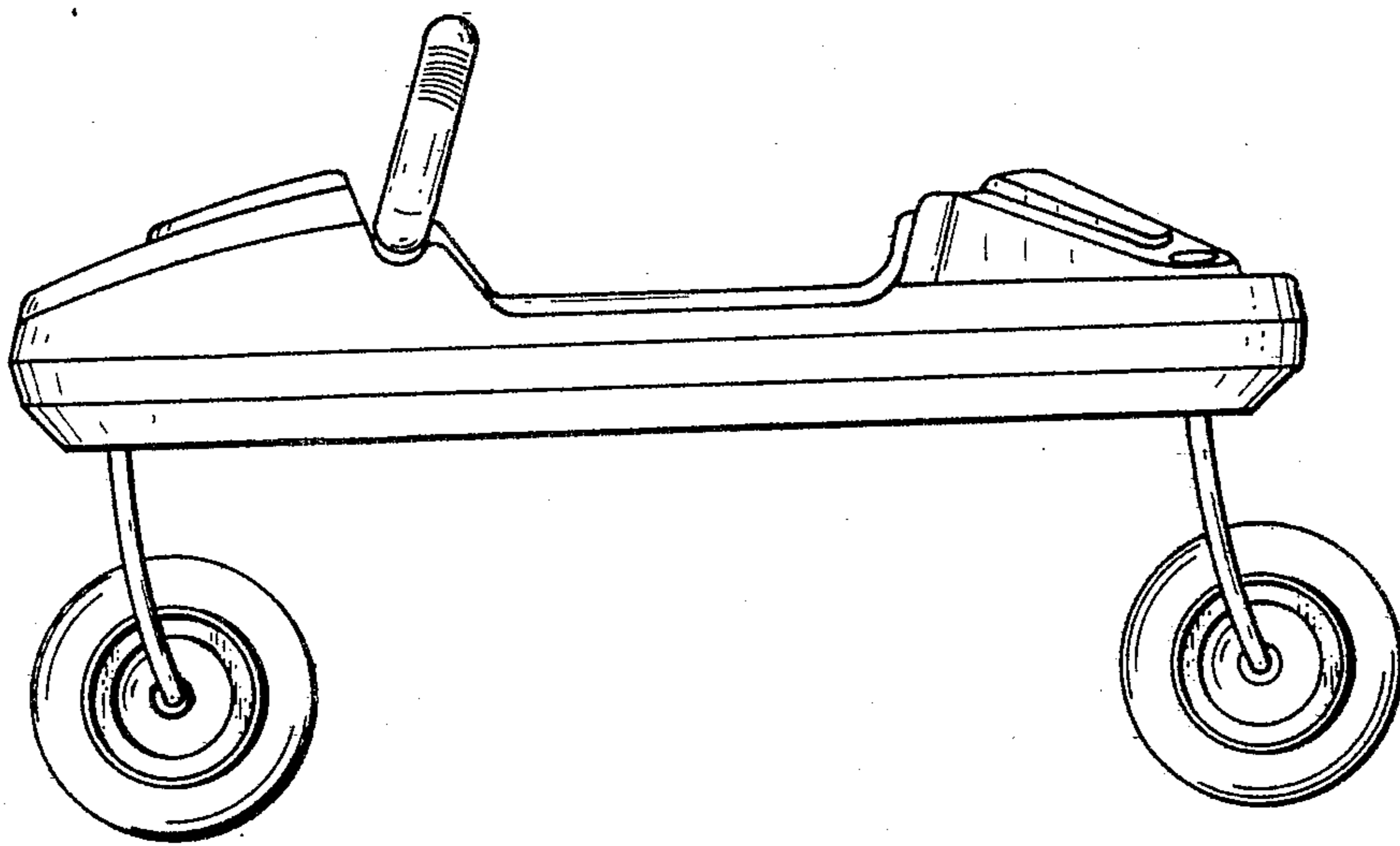


FIG. 1

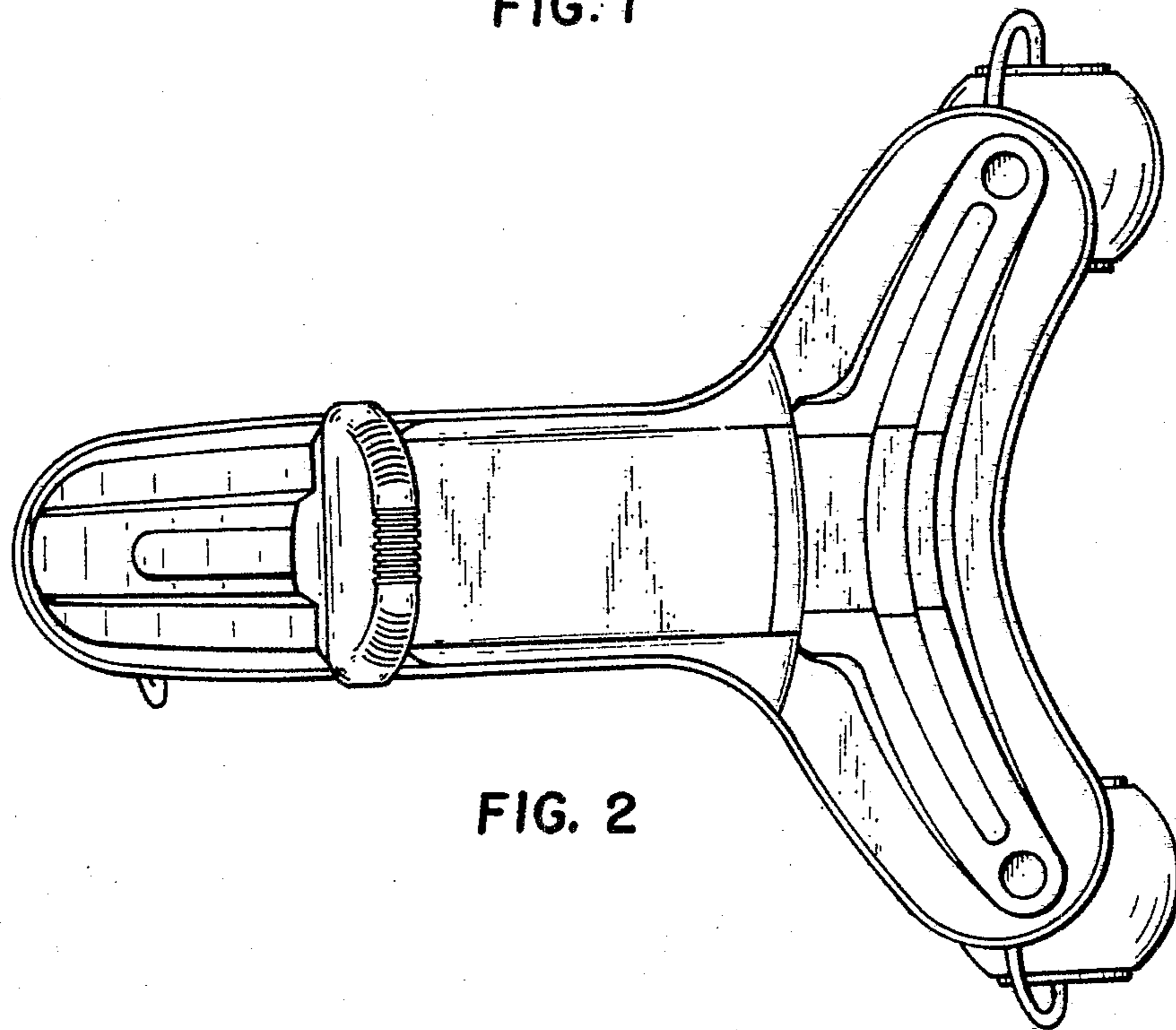


FIG. 2

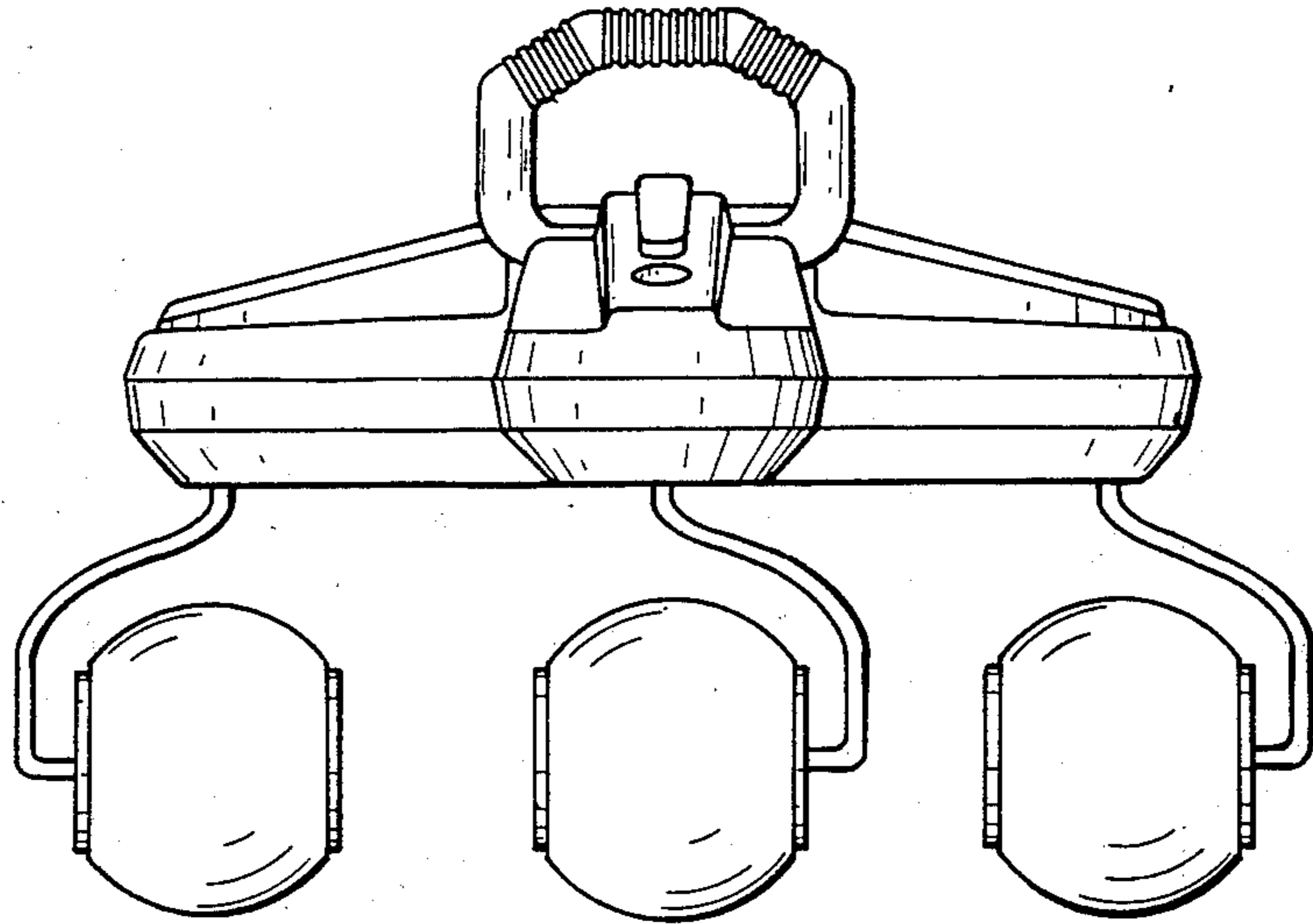


FIG. 3

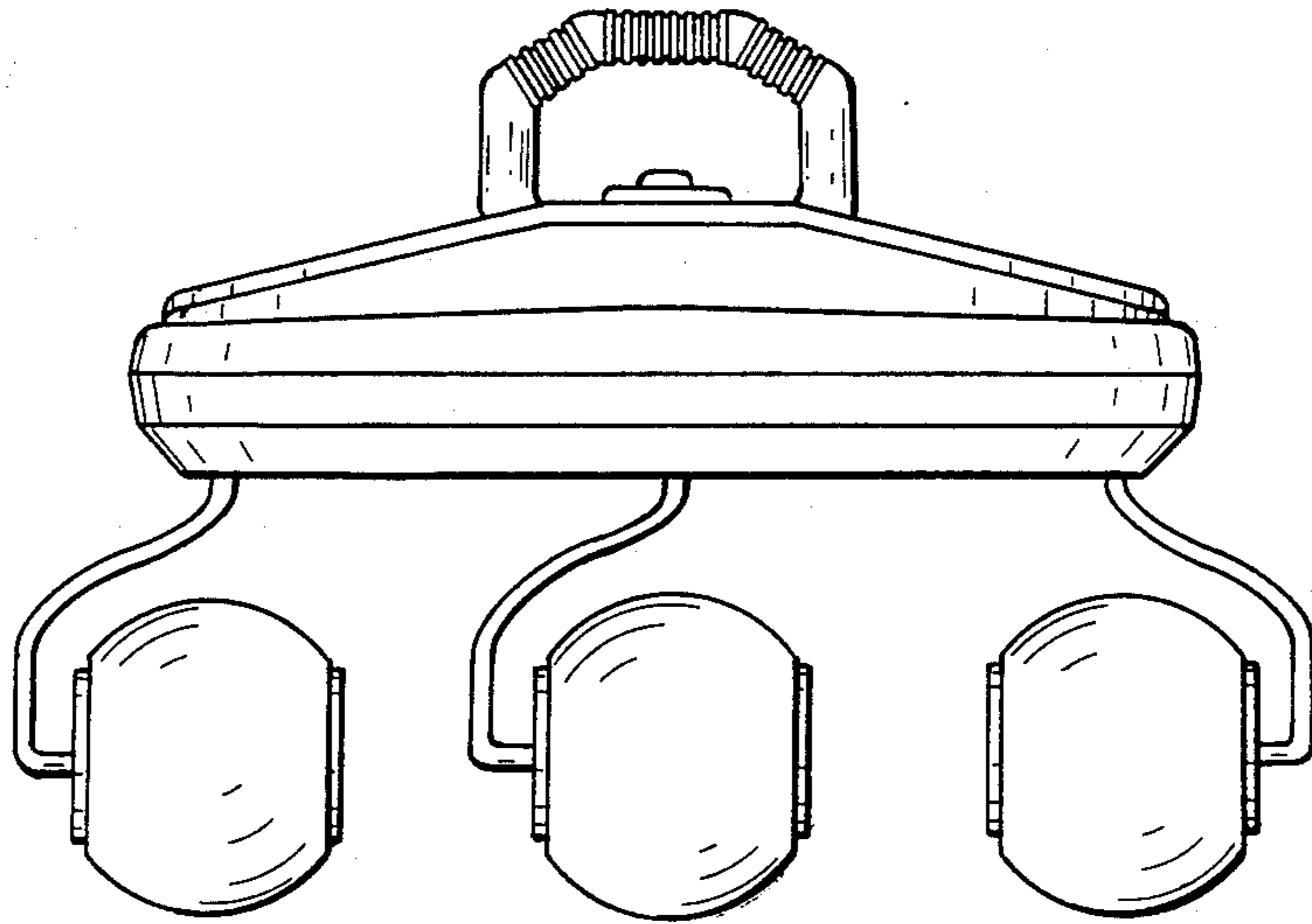


FIG. 4

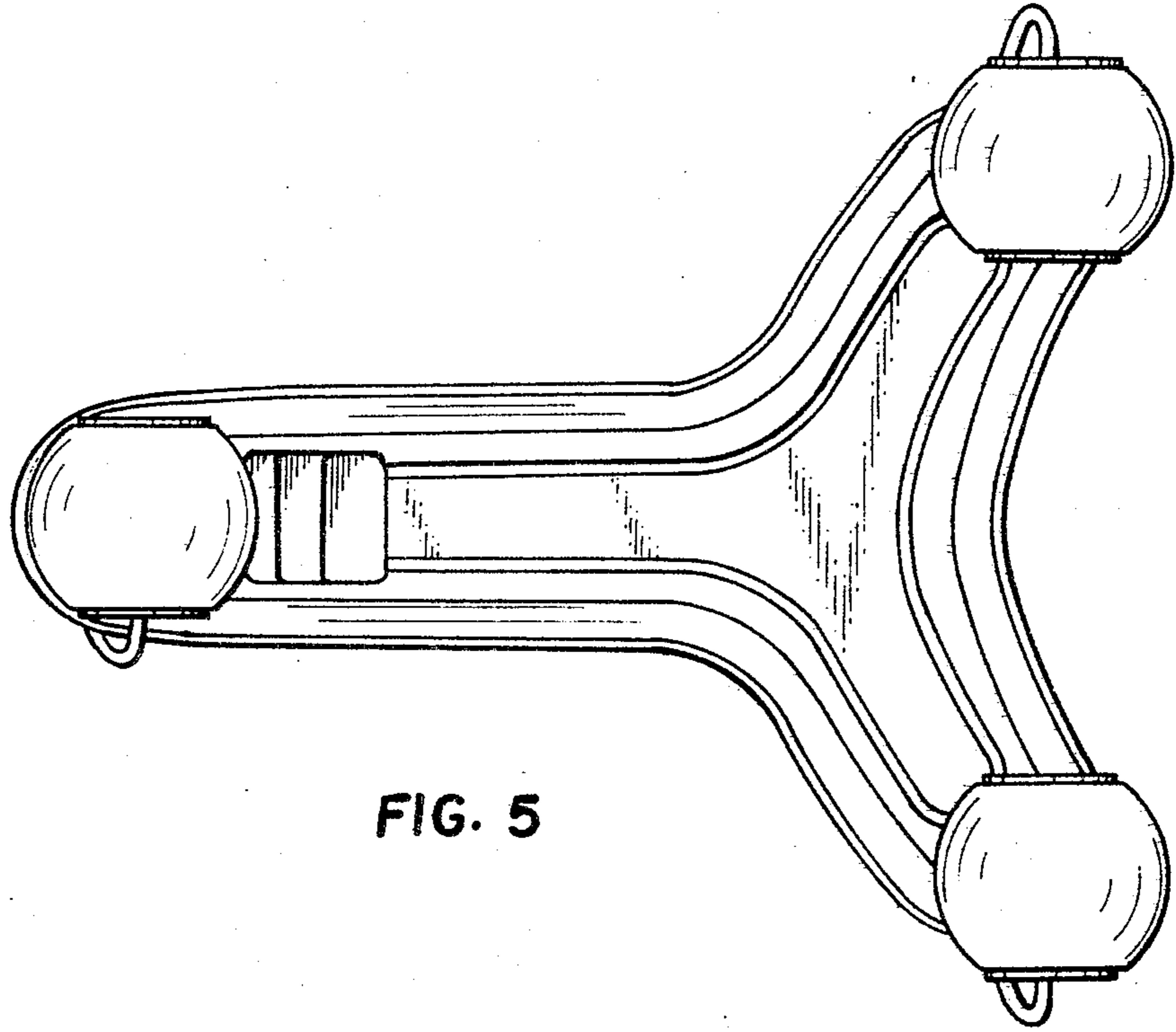


FIG. 5