

[54] PARALLEL STRAIGHTEDGE

[76] Inventor: Russell J. Wood, Bailey Rd., Lanesboro, Mass. 01201

[**] Term: 14 Years

[21] Appl. No.: 733,059

[22] Filed: May 13, 1985

[52] U.S. Cl. D19/35; D10/71; D10/65

[58] Field of Search D19/35; D10/65, 70, D10/71; 33/443

[56] References Cited

U.S. PATENT DOCUMENTS

D. 139,700	12/1944	Truhon	D10/64	X
D. 241,019	8/1976	Chadwick	D10/62	
D. 254,313	2/1980	Dunmore	D19/35	
1,667,150	4/1928	Griffith	33/443	
2,129,457	9/1938	Von Zimmermann	33/443	X
3,911,585	10/1975	McNeil	33/443	

OTHER PUBLICATIONS

The Frederick Post Co. Cat., #18, ©1936-p. 211-Parallel Rule.

Primary Examiner—Nelson C. Holtje

[57] CLAIM

The ornamental design for a parallel straightedge, as shown and described.

DESCRIPTION

FIG. 1 is a top and right front perspective view of a parallel straightedge showing my new design; FIG. 2 is a top plan view thereof, the bottom being flat, plain and unornamented; FIG. 3 is a right side elevational view thereof, the left side being a mirror image thereto; FIG. 4 is a front elevational view thereof, the rear being a mirror image thereto. The broken-line showings of a drafting board in FIGS. 1-4 are environmental only and form no part of the claimed design.

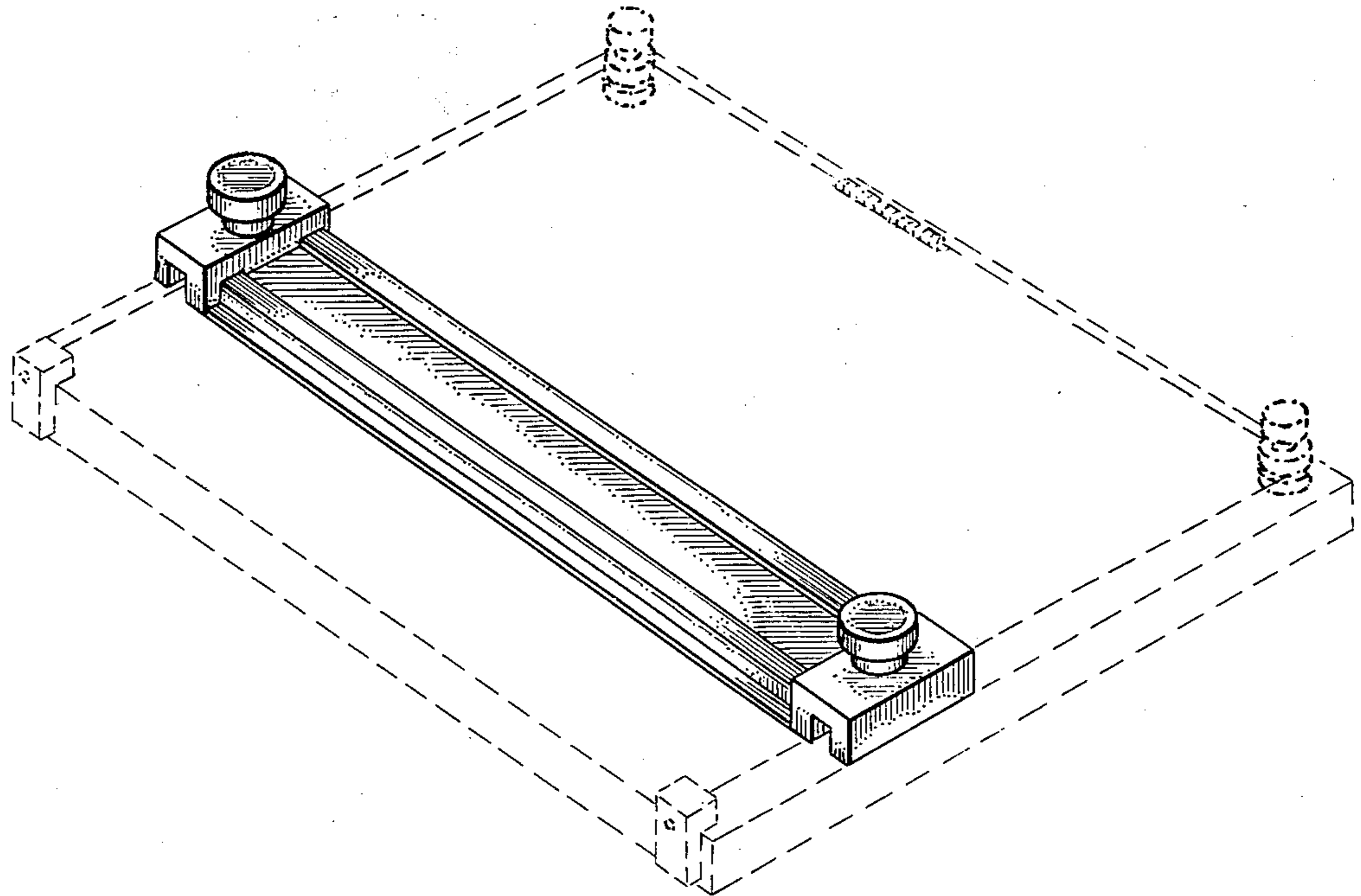


Fig. 1.

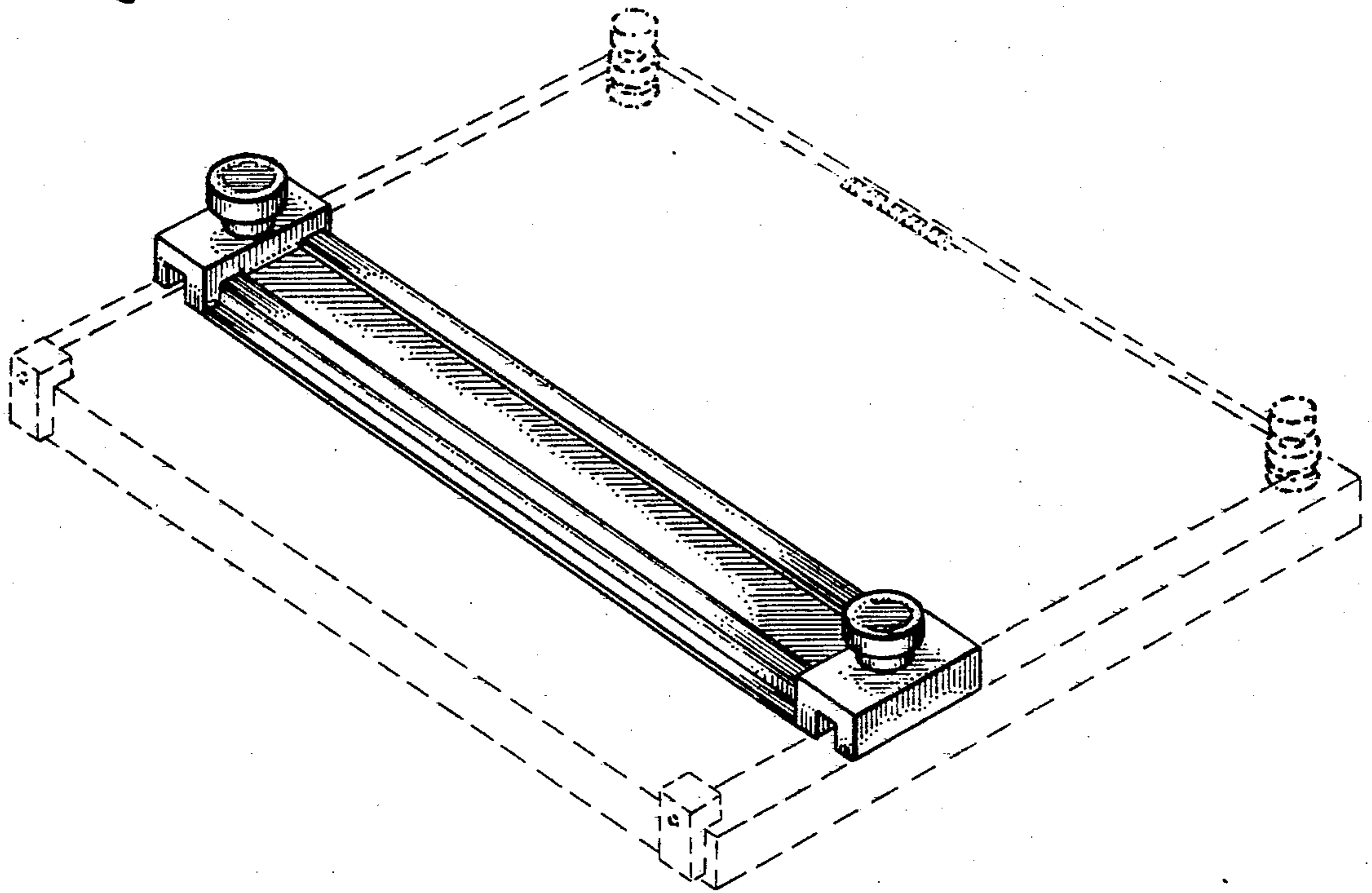


Fig. 2.

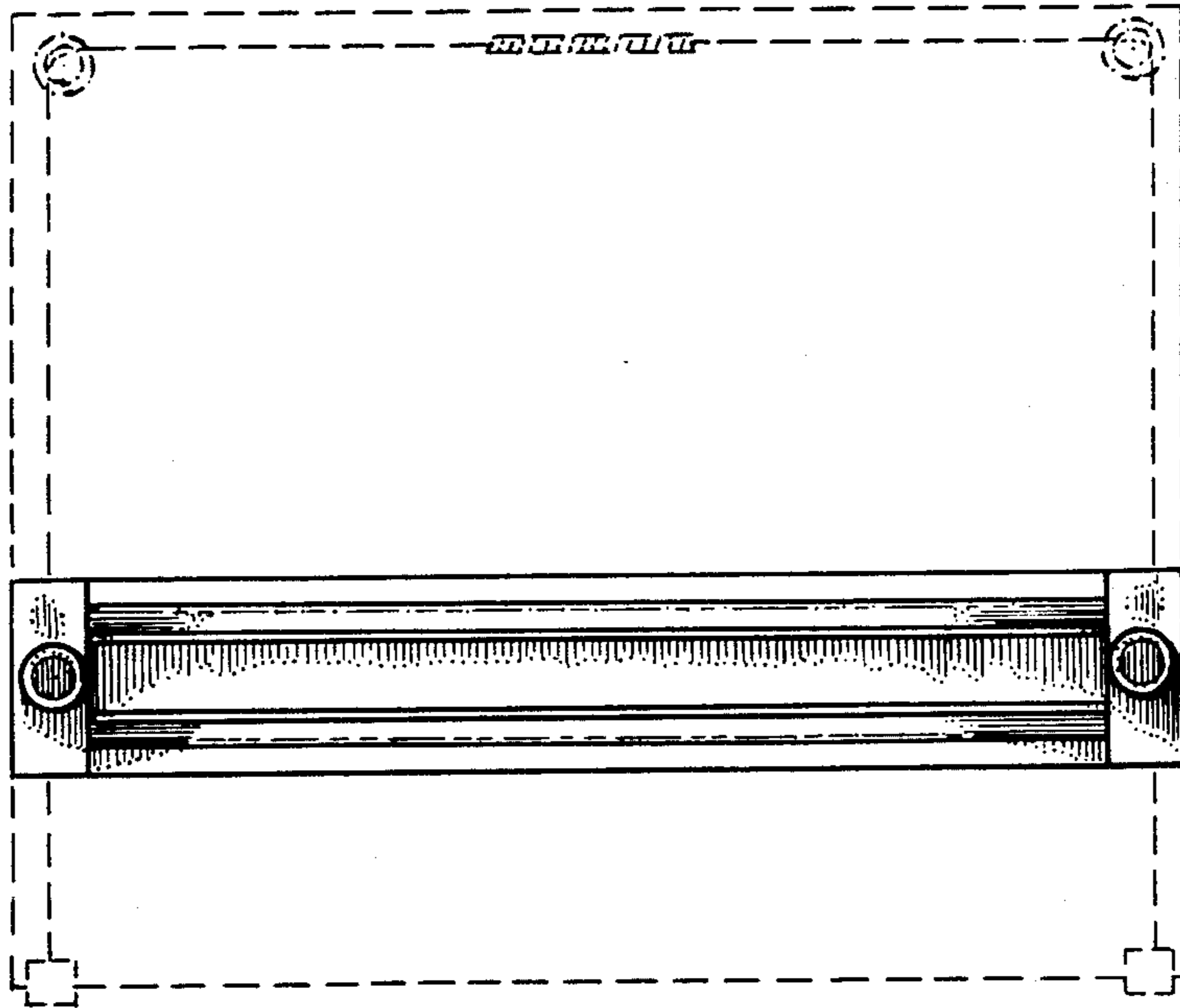


Fig. 3.



Fig. 4.

