

[54] FILE CLIP

[76] Inventor: Ye K. Wan, 3th Fl., No. 258, Min Shen E. Road, Taipei, Taiwan

[**] Term: 14 Years

[21] Appl. No.: 622,705

[22] Filed: Jun. 20, 1984

[52] U.S. Cl. D19/32

[58] Field of Search D19/32, 26, 27; 281/21 R, 25 A, 21 A

[56] References Cited

U.S. PATENT DOCUMENTS

1,995,596	3/1935	Adamson	281/21 A
2,106,419	1/1938	Anderson	281/21 A
2,502,493	4/1950	Trussell	281/25 A X
3,074,133	1/1963	Jones	281/21 A
3,970,331	7/1976	Giulie	281/21 R
3,994,606	11/1976	Messmer	D19/32 X

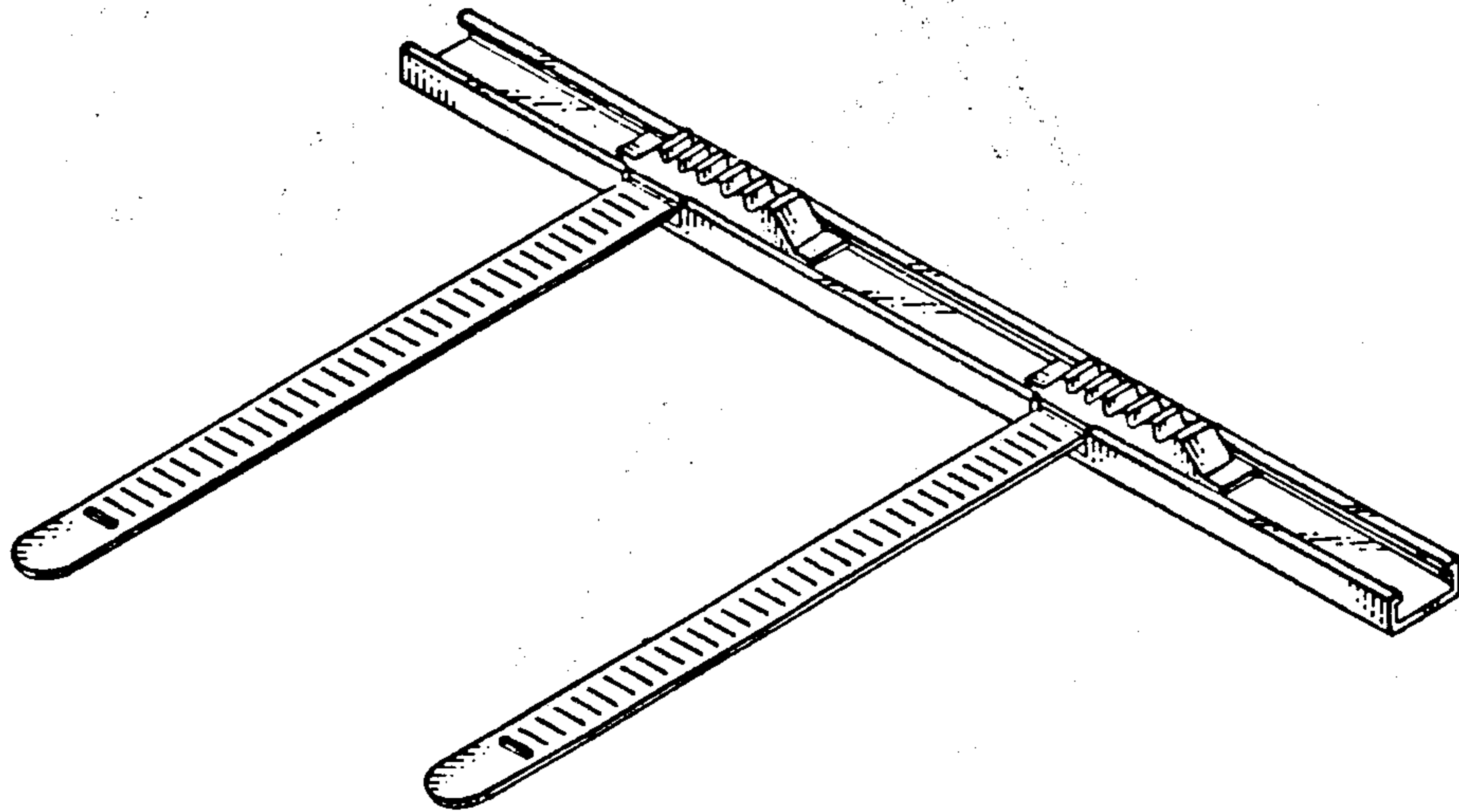
Primary Examiner—Bernard Ansher
Assistant Examiner—Linda Titolo
Attorney, Agent, or Firm—Limbach, Limbach & Sutton

[57] CLAIM

The ornamental design for a file clip, as shown and described.

DESCRIPTION

FIG. 1 is a top perspective view of a file clip showing my new design;
FIG. 2 is a top plan view thereof;
FIG. 3 is a bottom plan view thereof;
FIG. 4 is a left side elevational view thereof;
FIG. 5 is a right side elevational view thereof;
FIG. 6 is a front elevational view thereof;
FIG. 7 is a rear elevational view thereof; and
FIG. 8 is a top perspective view thereof, the broken lines indicating a file cover are shown for illustrative purposes only.



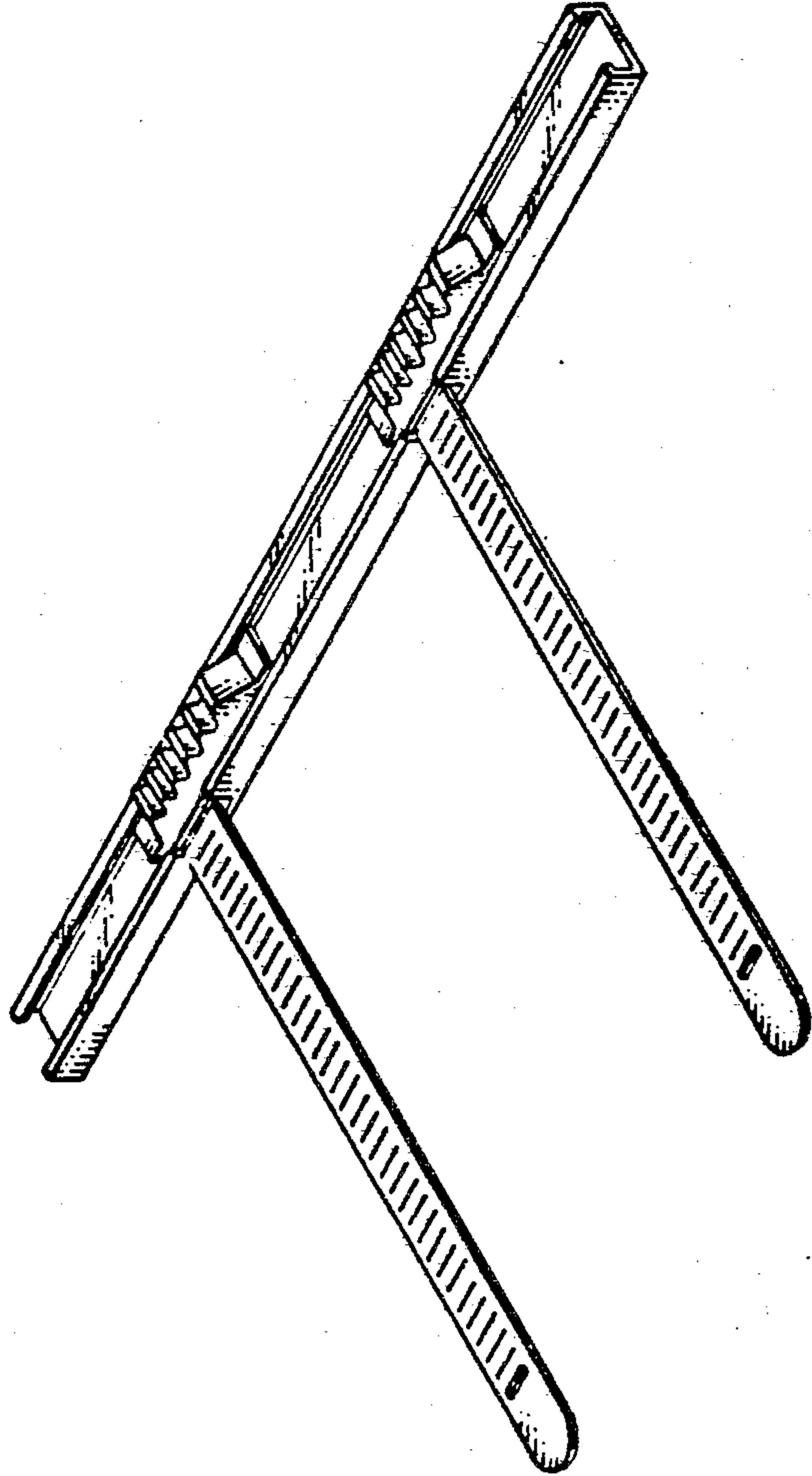


FIG. 1

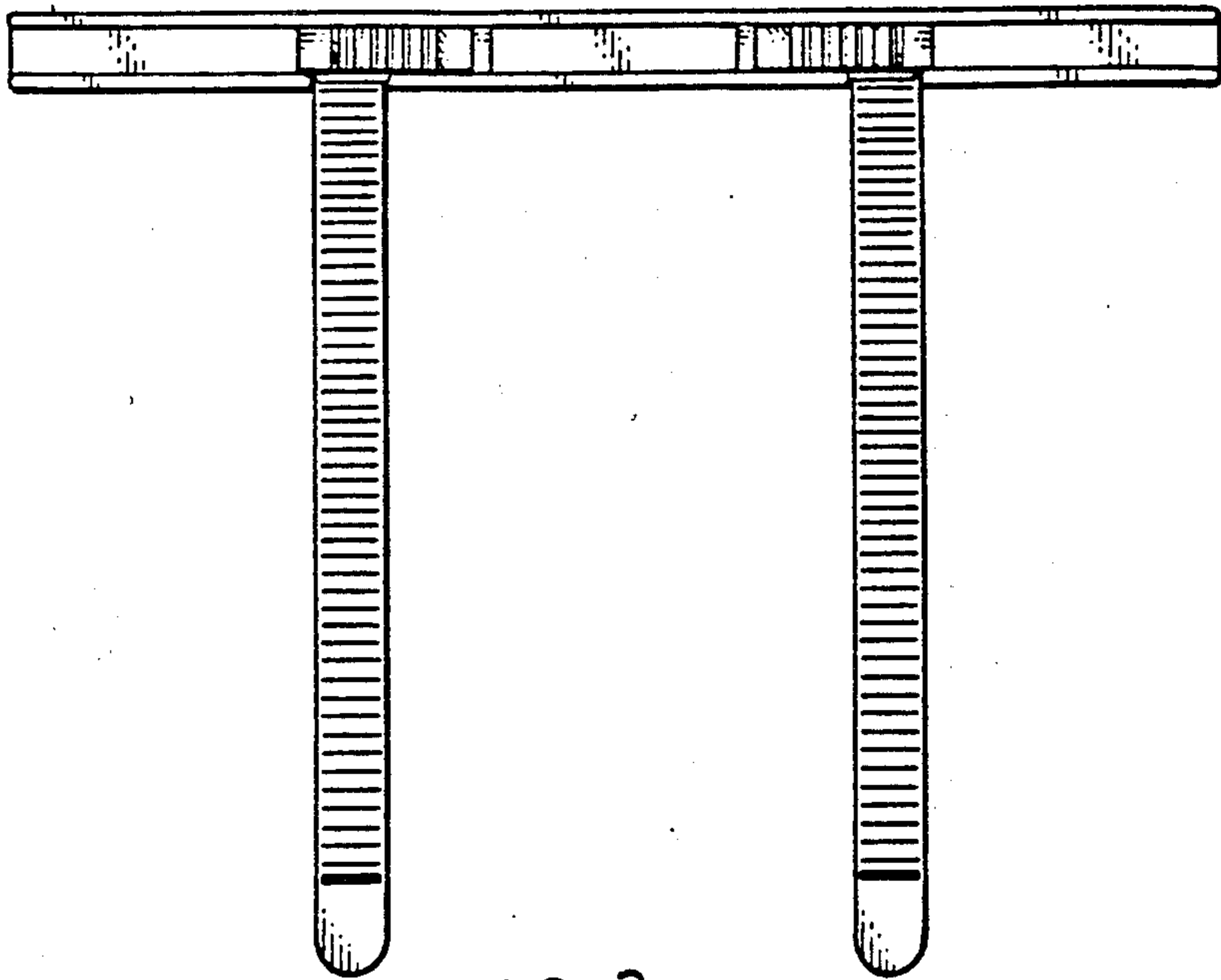


FIG. 2

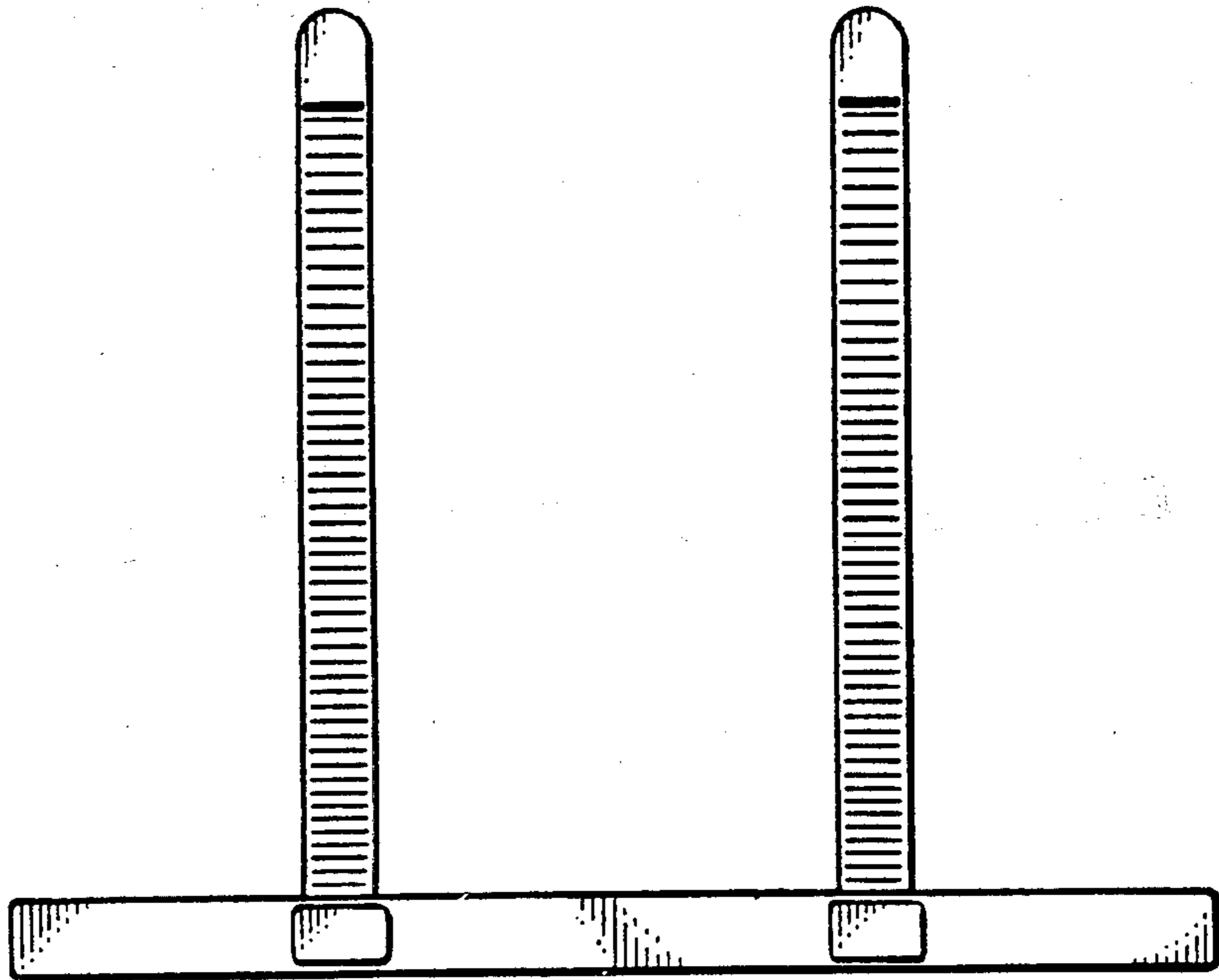


FIG. 3



FIG. 4

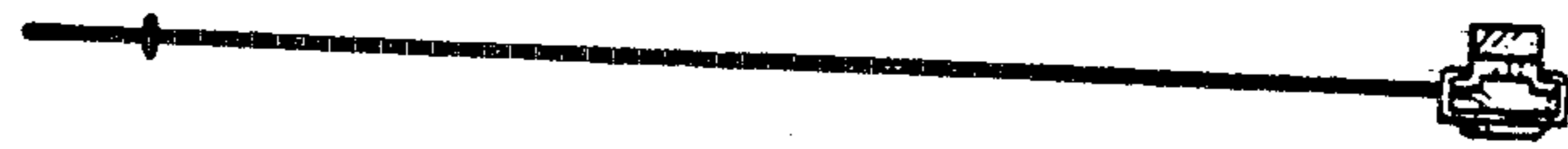


FIG. 5

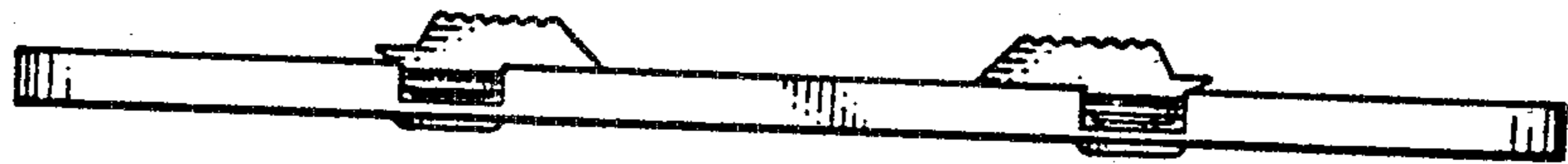


FIG. 6



FIG. 7

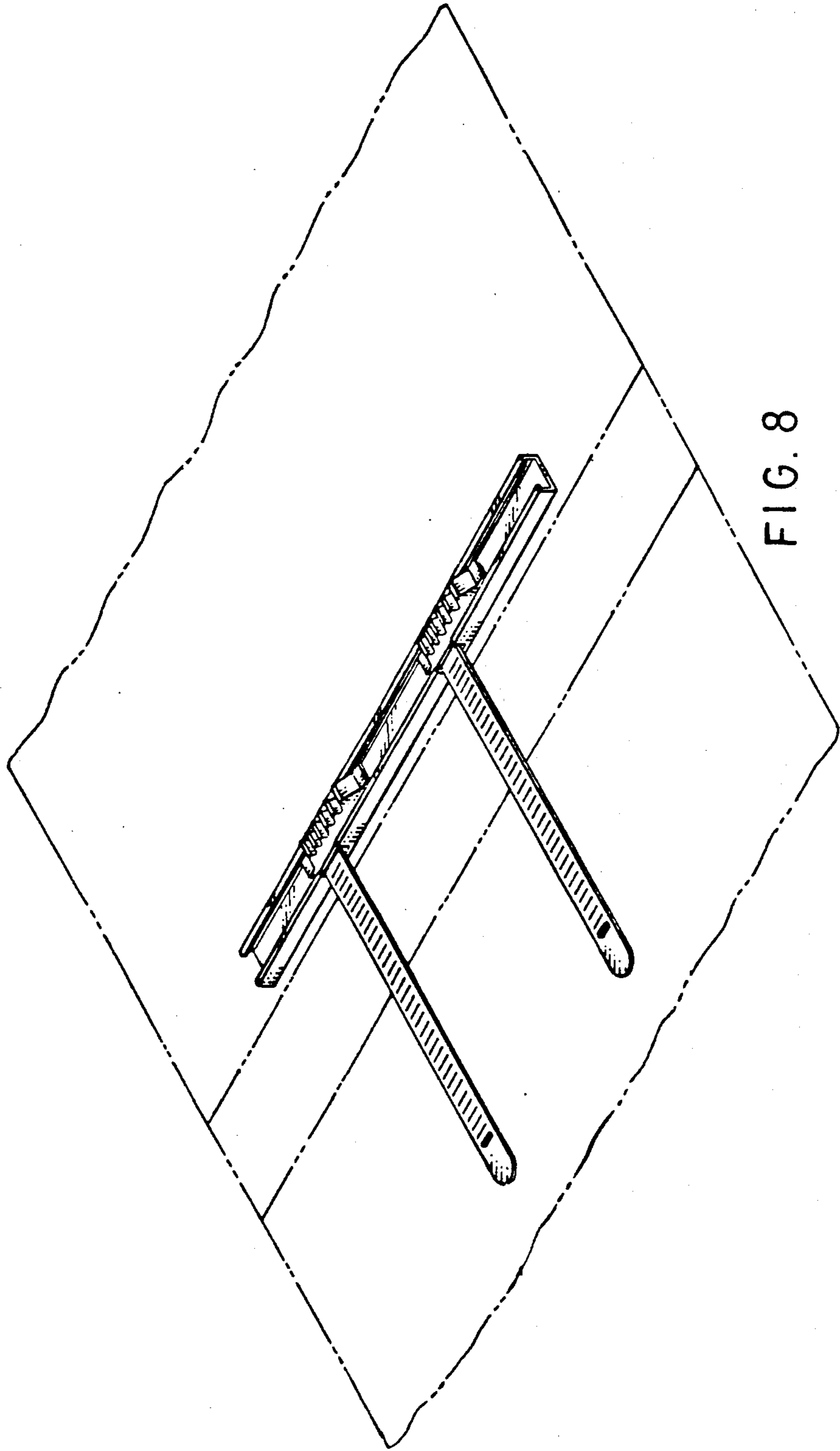


FIG. 8