

[54] MAGNETIC DISC OR THE LIKE

[75] Inventors: Etsuro Saito, Ayase; Tsuneo Nemoto, Sendai; Shinichiro Takahashi, Tokyo, all of Japan

[73] Assignee: Sony Corporation, Tokyo, Japan

[*] Notice: The portion of the term of this patent subsequent to Jul. 15, 2000 has been disclaimed.

[**] Term: 14 Years

[21] Appl. No.: 657,985

[22] Filed: Oct. 5, 1984

[30] Foreign Application Priority Data

Apr. 11, 1984 [JP] Japan 59-14434

[52] U.S. Cl. D14/114

[58] Field of Search D14/107, 114; 360/97, 360/98, 99, 133, 60; 206/444, 312; 369/291

[56] References Cited

U.S. PATENT DOCUMENTS

D. 277,859	3/1985	Saito et al.	D14/114
D. 283,893	5/1986	Fujimoto	D14/114
D. 284,665	7/1986	Saito et al.	D14/114

Primary Examiner—Susan J. Lucas
Attorney, Agent, or Firm—Lewis H. Eslinger; Alvin Sinderbrand

[57] CLAIM

The ornamental design for a magnetic disc or the like, substantially as shown.

DESCRIPTION

FIG. 1 is a perspective view of a magnetic disc or the like, showing our new design;
FIG. 2 is a rear perspective view thereof;
FIG. 3 is a top plan view thereof;
FIG. 4 is a bottom plan view thereof;
FIG. 5 is a front elevational view thereof;
FIG. 6 is a rear elevational thereof;
FIG. 7 is a left side elevational view thereof; and
FIG. 8 is a right side elevational view thereof.

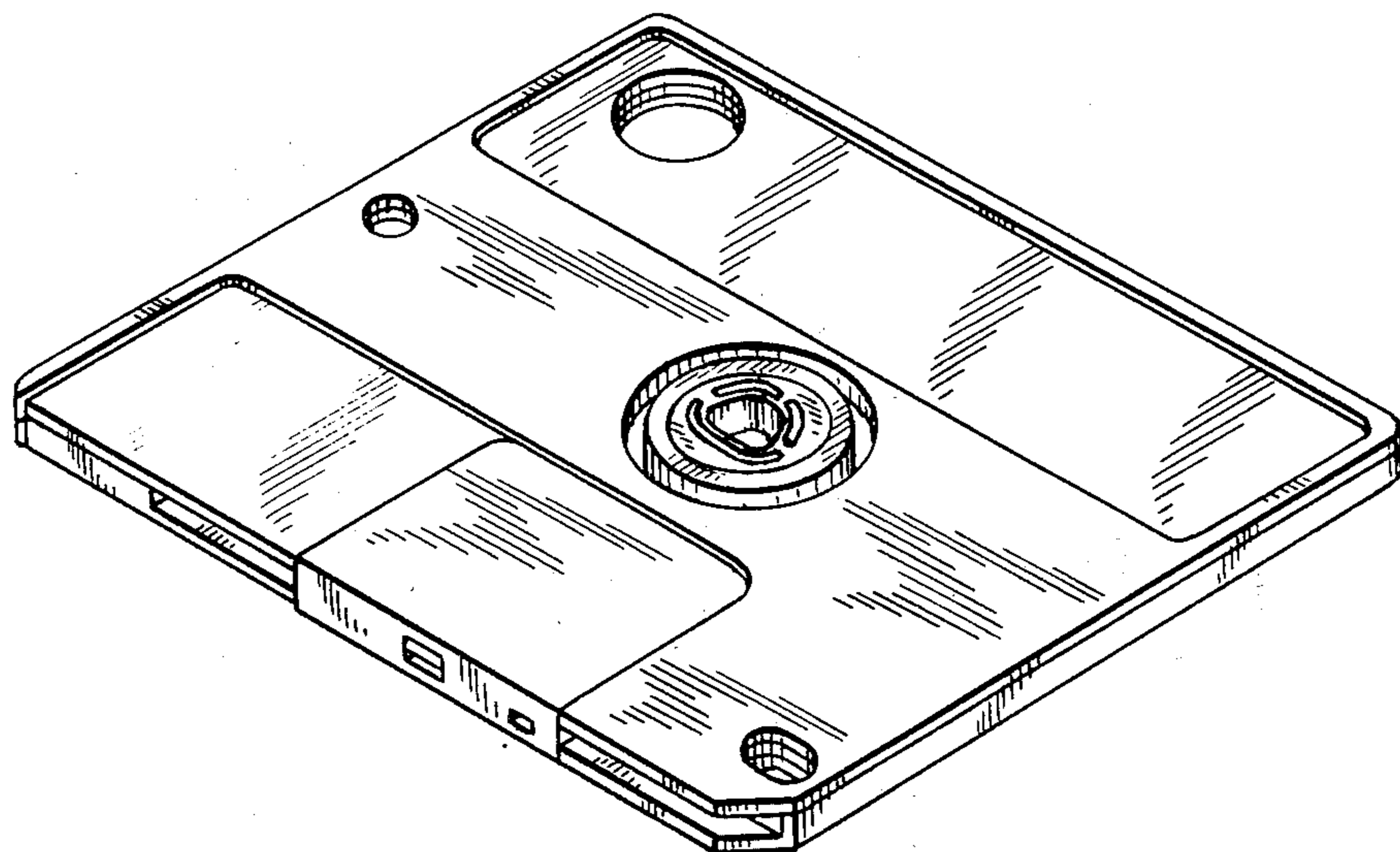


FIG. 1

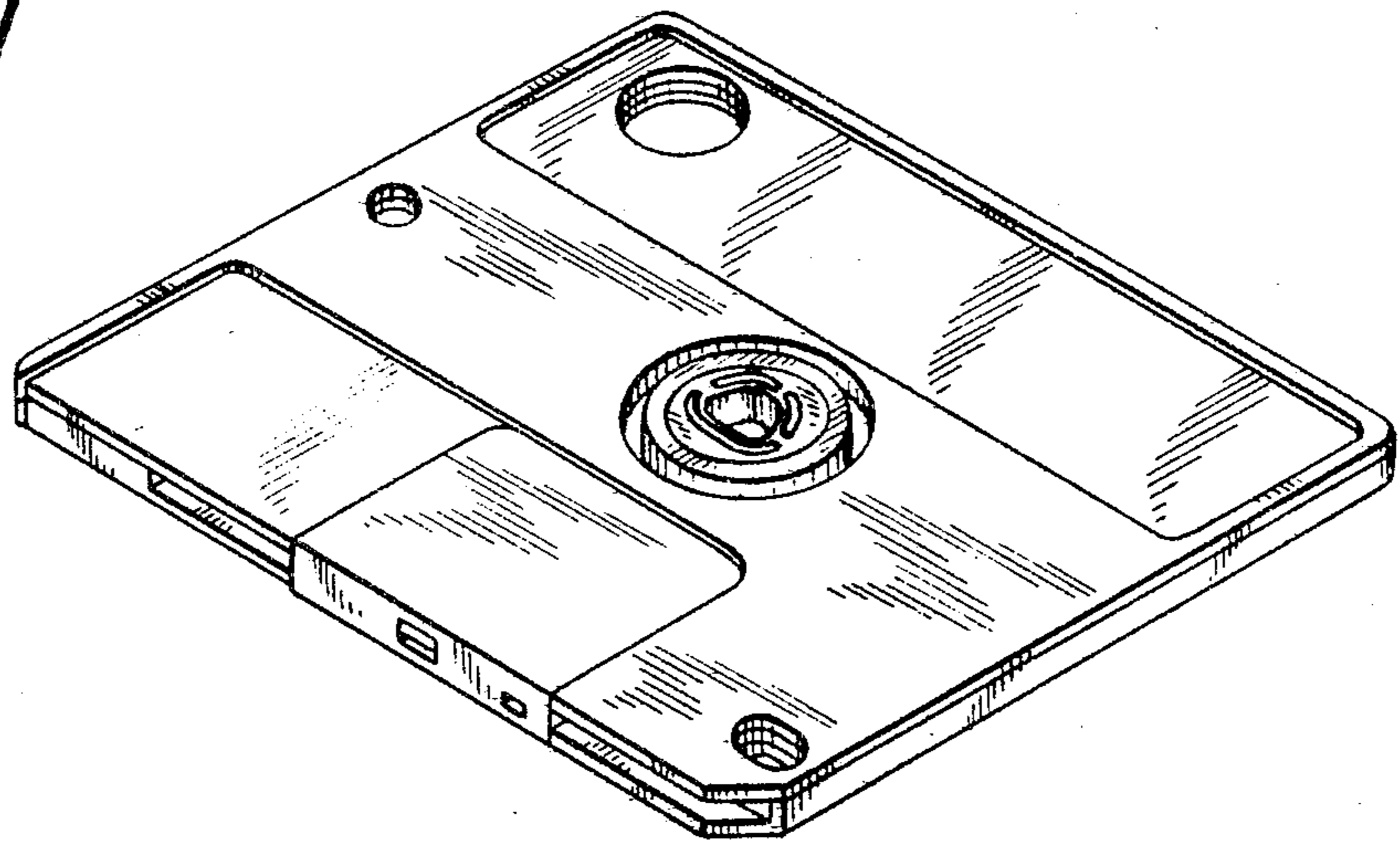


FIG. 2

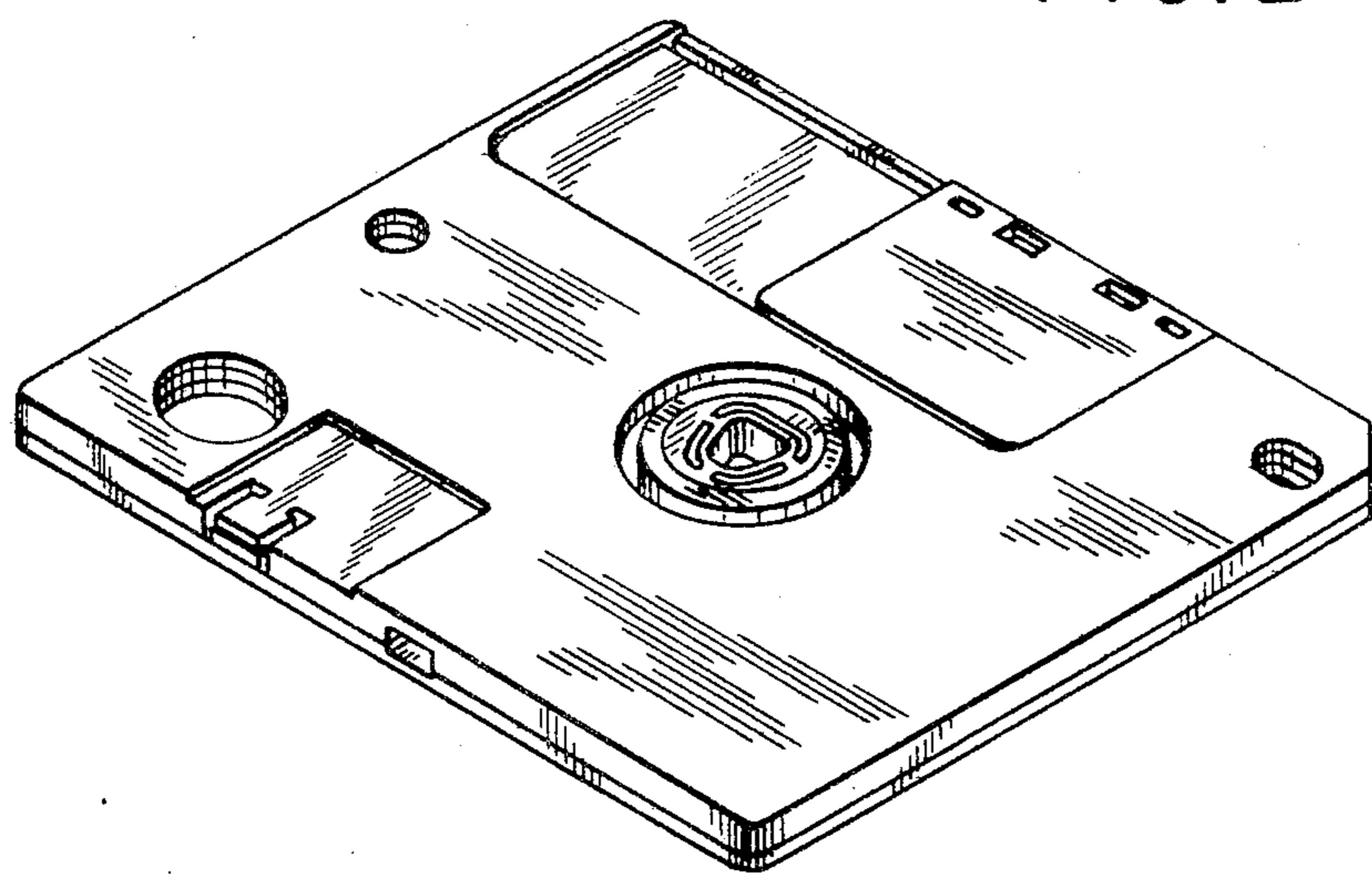


FIG. 3

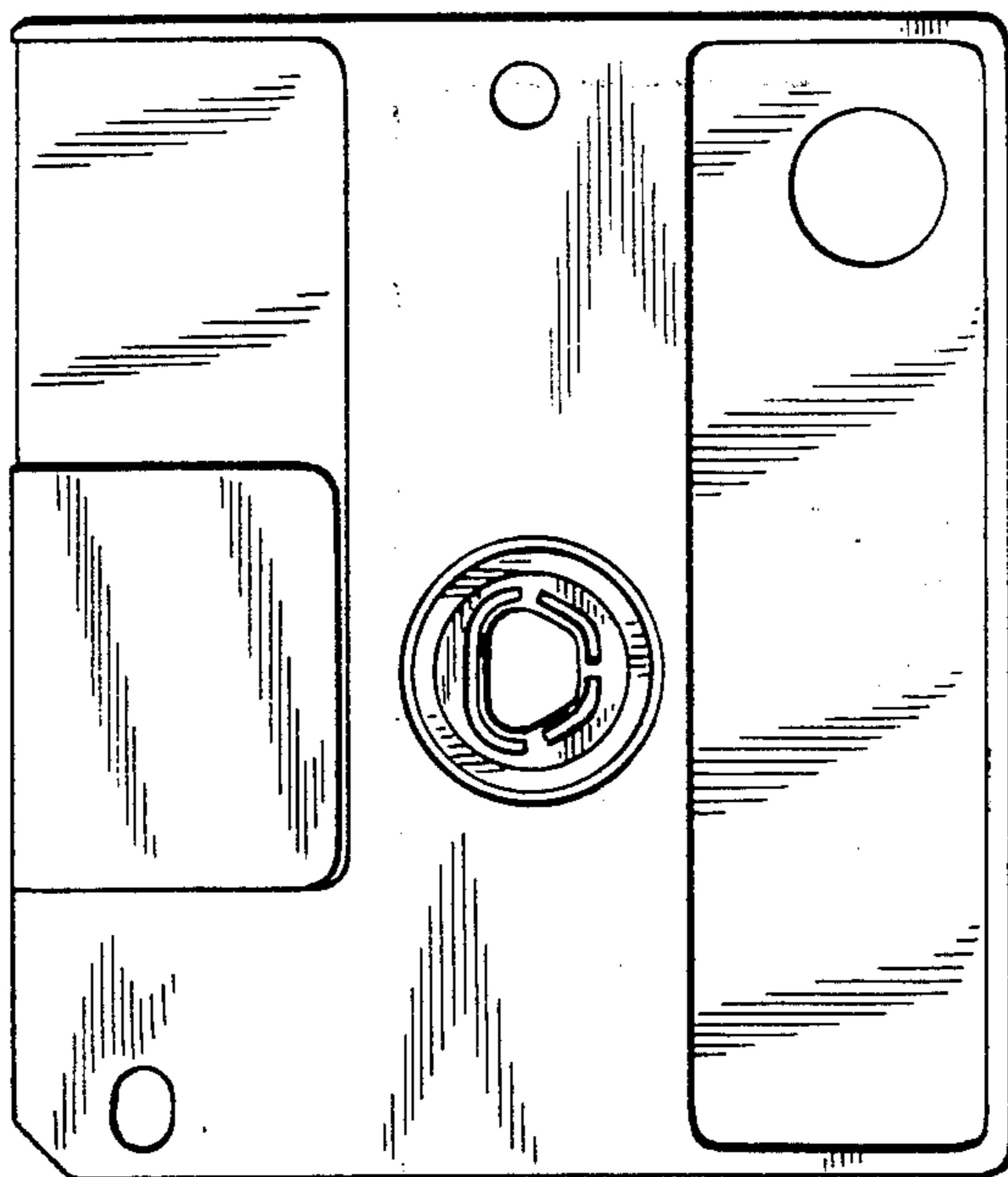


FIG. 7

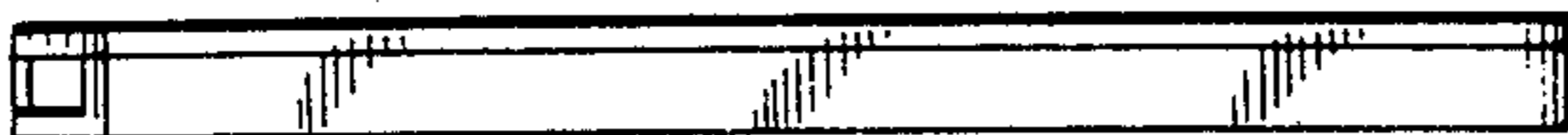


FIG. 5

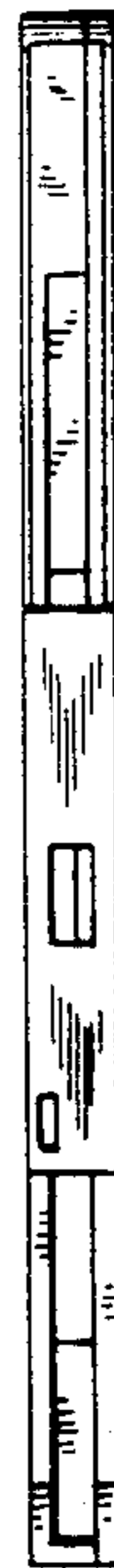


FIG. 8

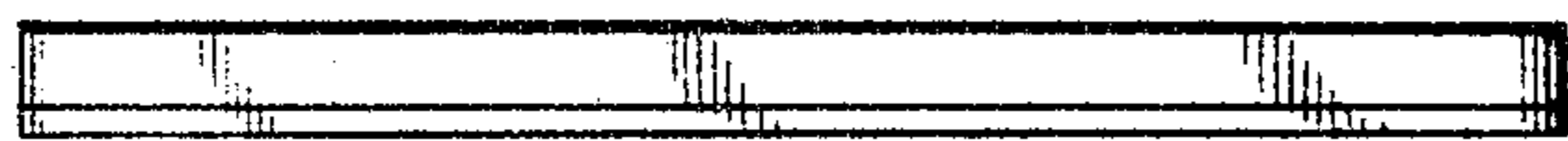


FIG. 4

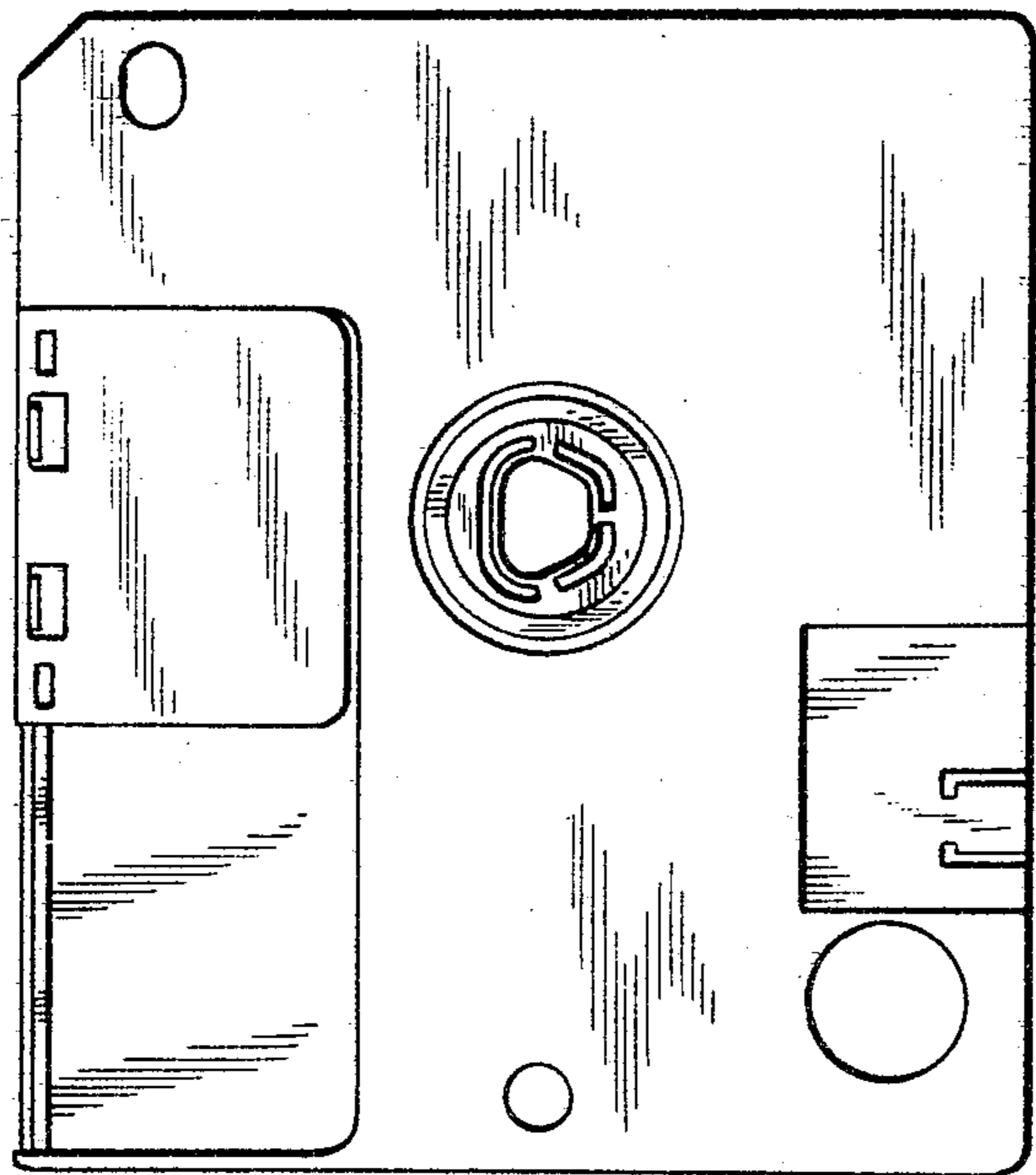


FIG. 6

