

[54] MODULAR ELECTRICAL PLUG

3,856,376 12/1974 Poliak et al. .... 339/107  
4,138,185 2/1979 Jaconette, Jr. .... D13/28 X

[75] Inventors: John M. Poliak, East Meadow;  
Robert W. Gritz, Bronx; Juan M. Lopez, Jamaica, all of N.Y.

[73] Assignee: Leviton Manufacturing Company, Inc., Little Neck, N.Y.

[\*\*] Term: 14 Years

[21] Appl. No.: 677,942

[22] Filed: Jan. 28, 1985

[52] U.S. Cl. .... D13/28

[58] Field of Search ..... D13/11, 24-31;  
339/196 R, 196 A, 196 M, 107, 108 R, 208, 209,  
166 R, 170, 97 P

[56] References Cited

U.S. PATENT DOCUMENTS

D. 217,614	5/1970	Kress	.....	D13/24
D. 244,860	6/1977	Jaconette	.....	D13/24
D. 244,861	6/1977	D'Amato	.....	D13/24
1,687,167	10/1928	Mann	.....	339/170

OTHER PUBLICATIONS

Electrical Construction & Maintenance vol. 76, No. 1, Jan. 1977, p. 35, Hubbell's "Valise Plug".

Primary Examiner—Susan J. Lucas  
Assistant Examiner—C. E. Heflin  
Attorney, Agent, or Firm—Paul J. Sutton

[57] CLAIM

The ornamental design for a modular electrical plug, as shown and described.

DESCRIPTION

FIG. 1 is a top plan view of the modular electrical plug showing our new design;  
FIG. 2 is a right side elevational view thereof, the left side being a mirror image thereof;  
FIG. 3 is a front elevational view thereof;  
FIG. 4 is a rear elevational view thereof;  
FIG. 5 is a bottom plan view thereof; and  
FIG. 6 is a bottom, rear perspective view thereof.

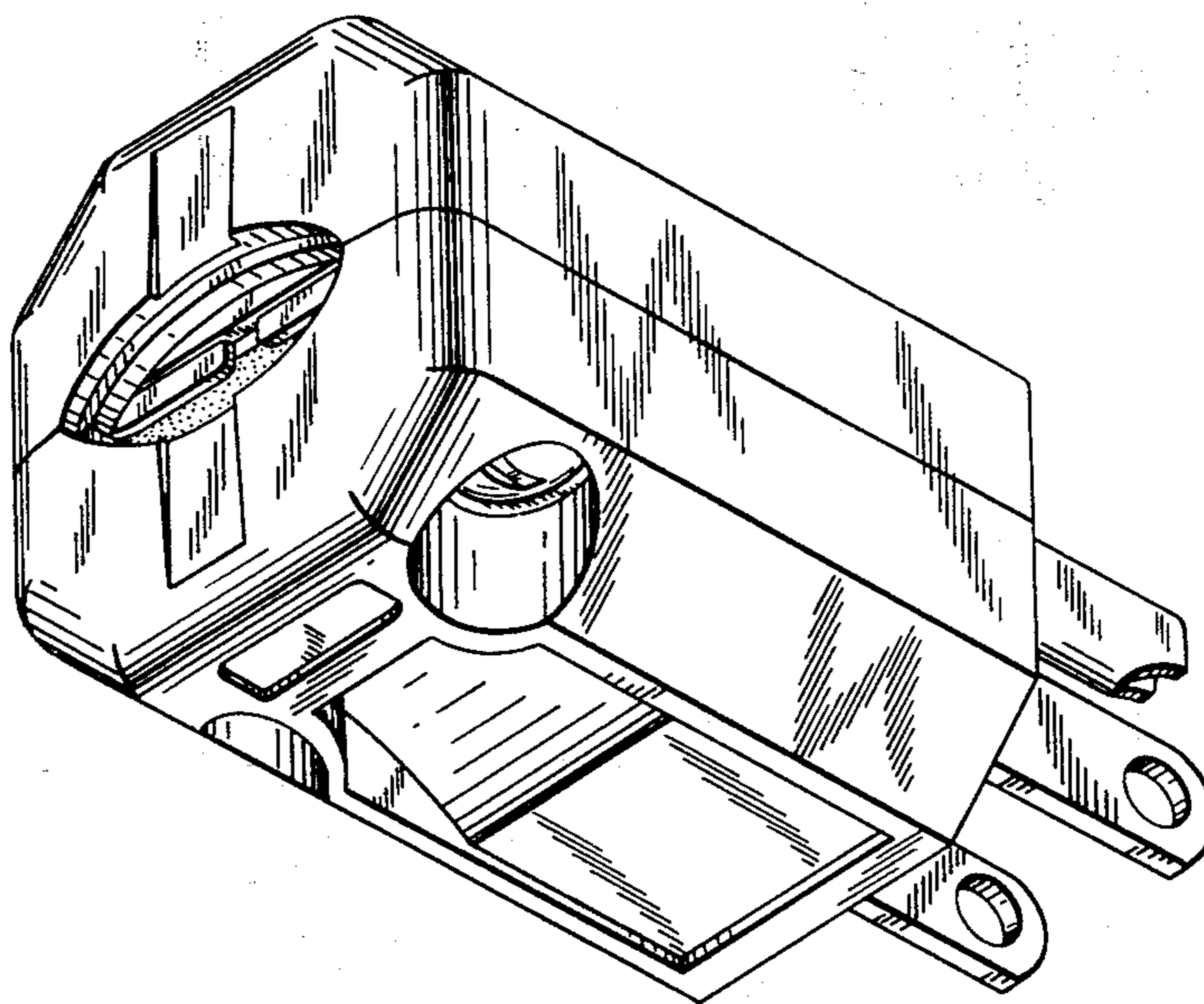


FIG. 1

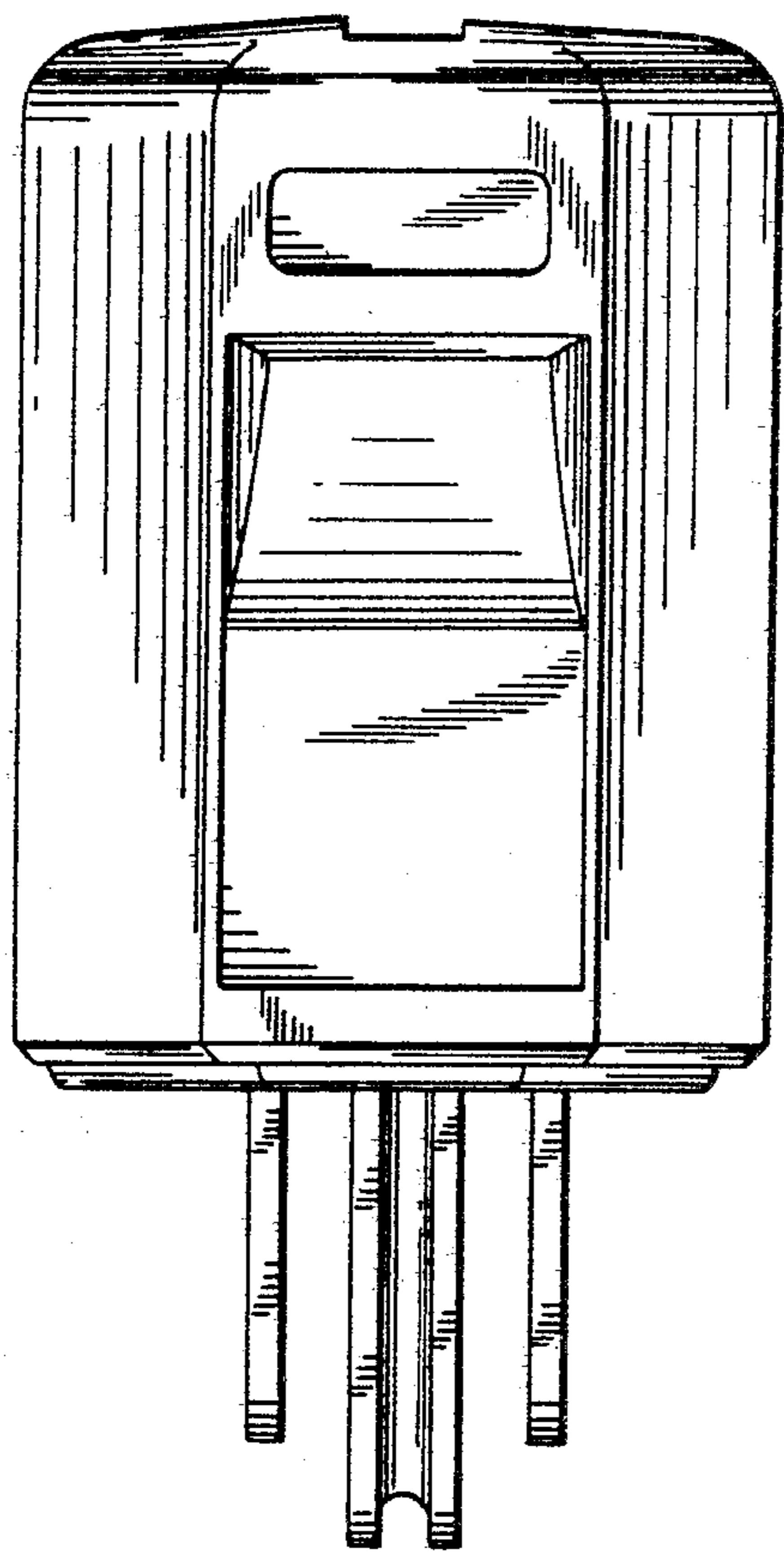


FIG. 2

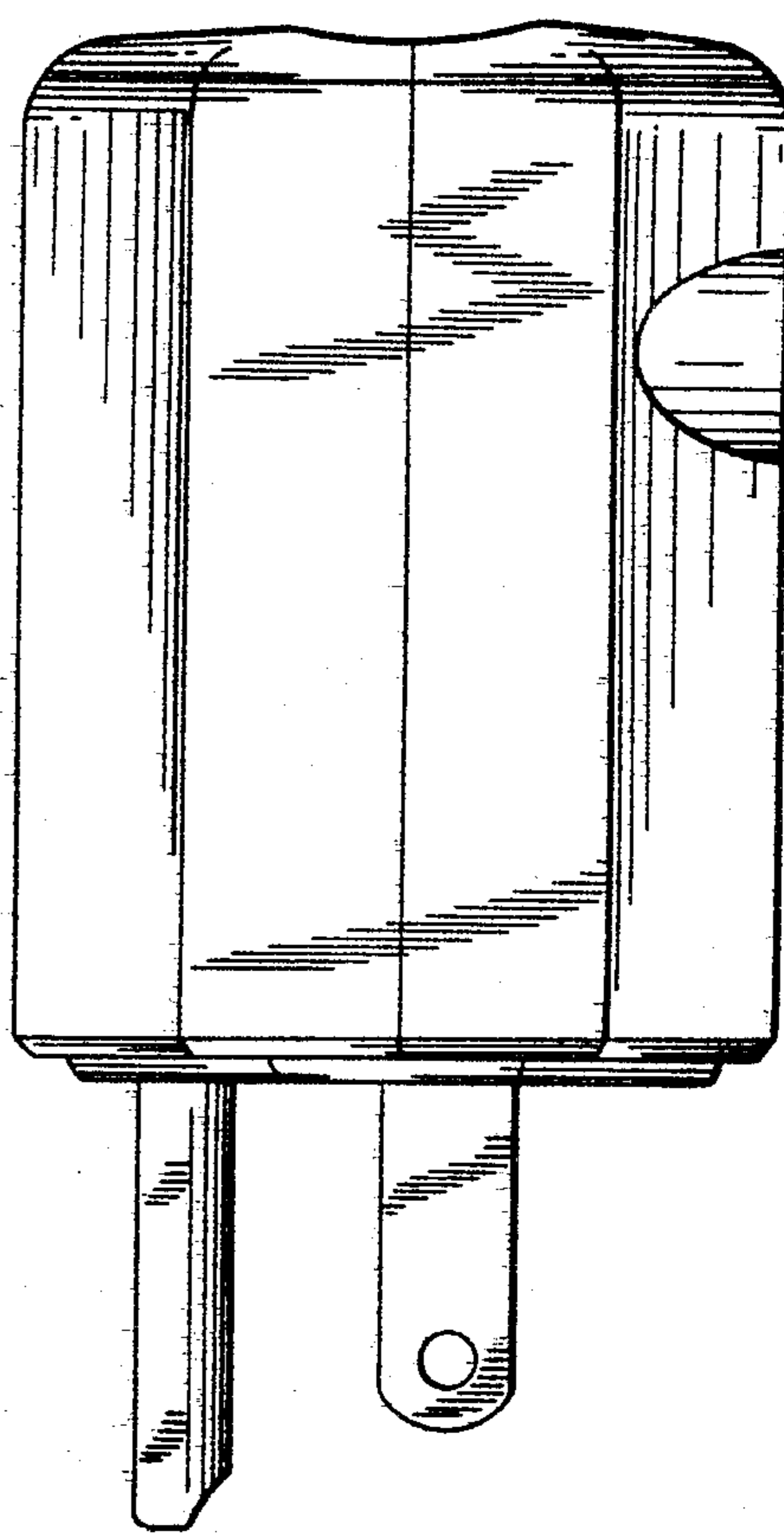


FIG. 3

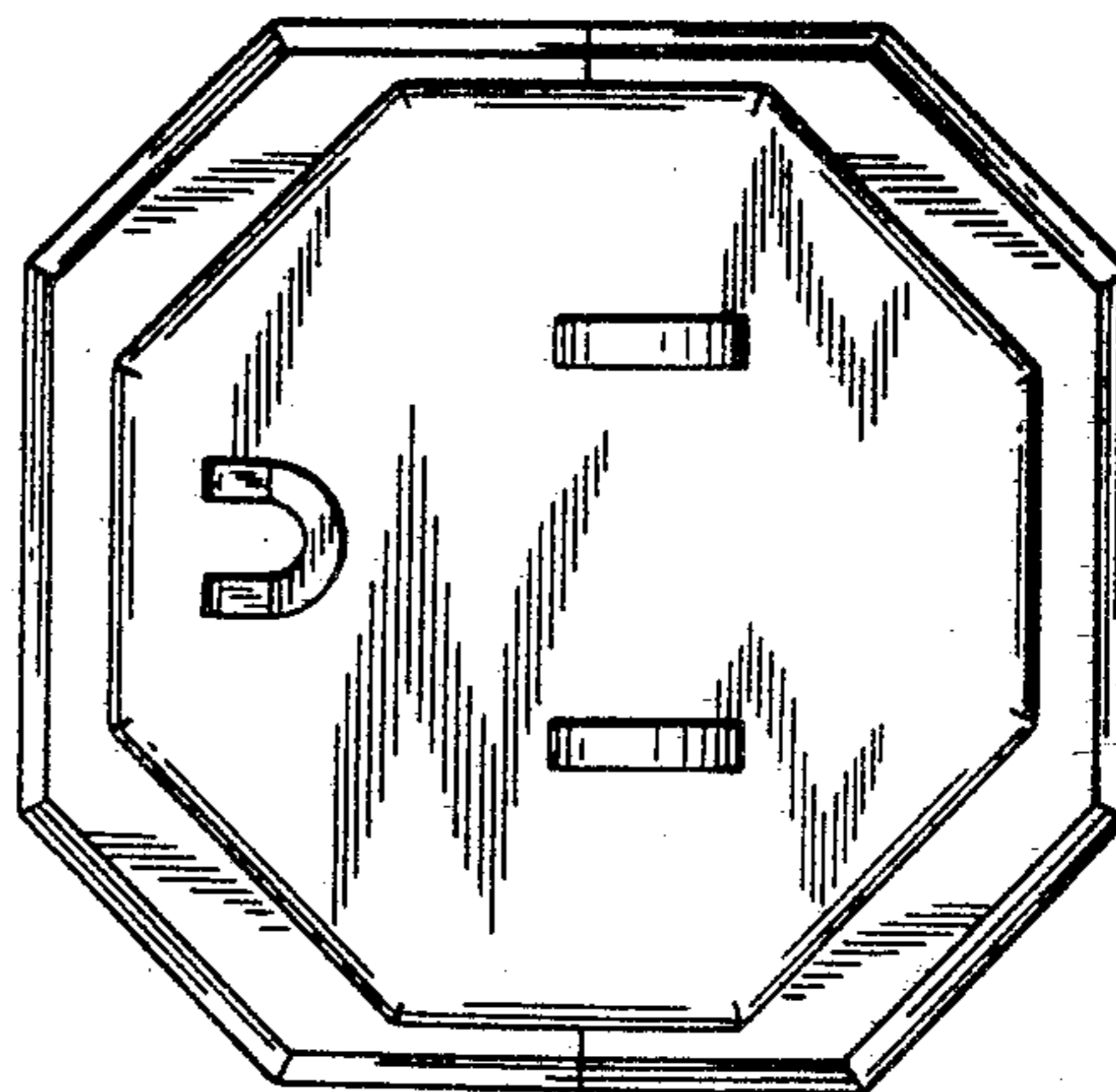


FIG. 4

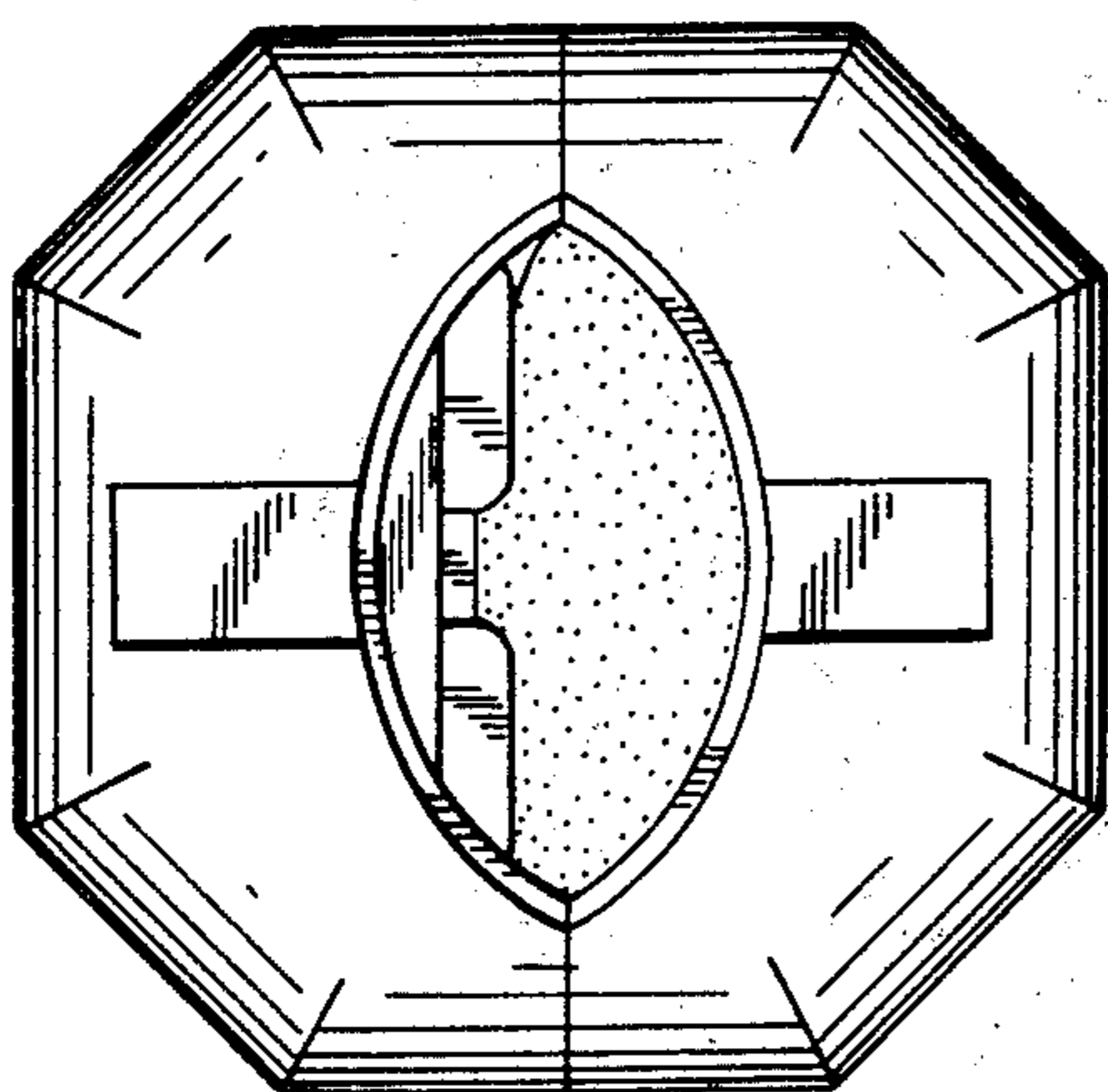


FIG. 5

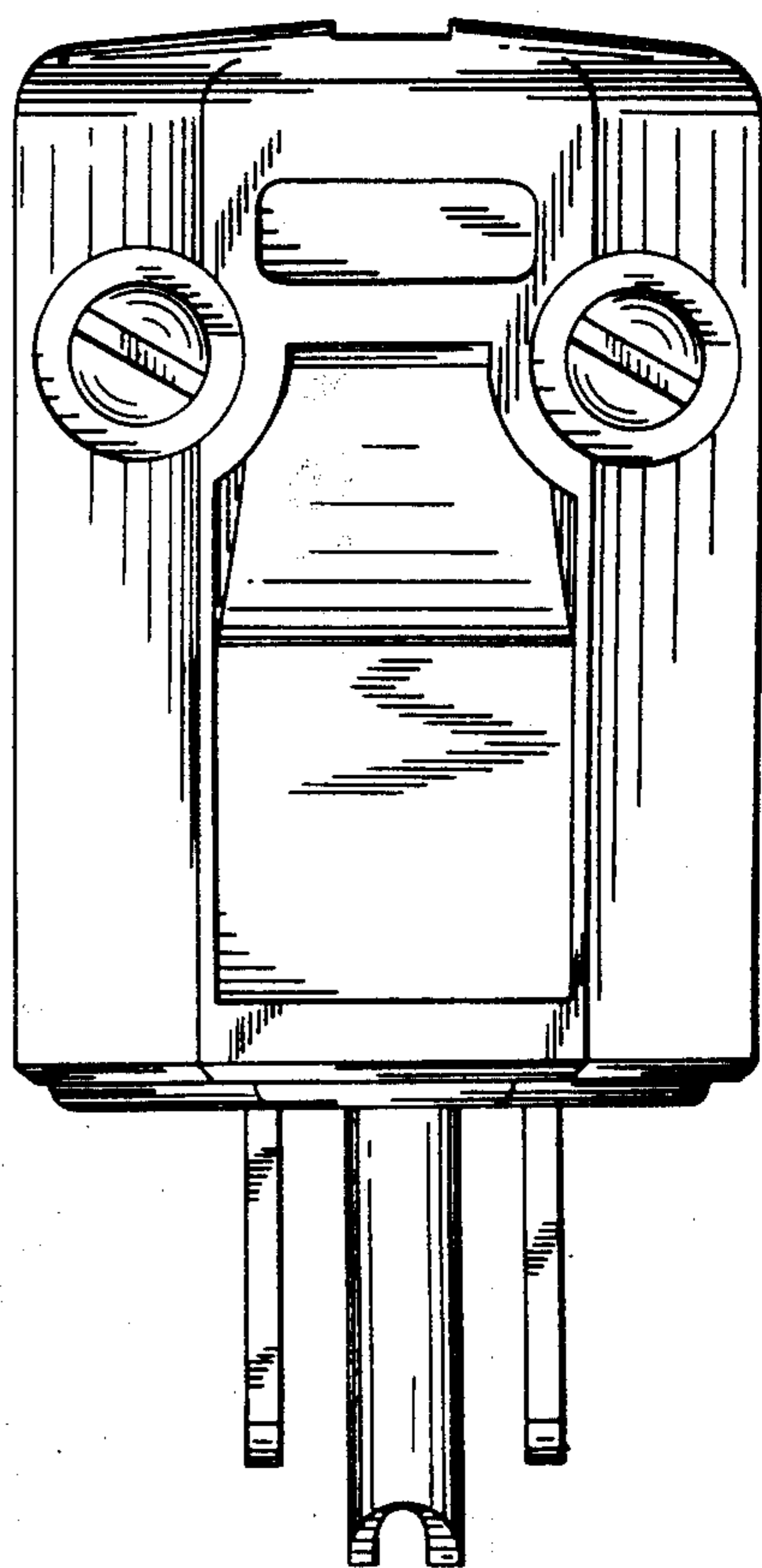


FIG. 6

