

[54] **SUPPORT FOR TELEPHONE TRAYS, TOOL CADDIES, OR SIMILAR ARTICLES**

[75] **Inventors: Donald J. Staufenberg, Hudsonville; James O. Kelley, Spring Lake, both of Mich.**

[73] **Assignee: Herman Miller, Inc., Zeeland, Mich.**

[\*\*] **Term: 14 Years**

[21] **Appl. No.: 699,797**

[22] **Filed: Feb. 8, 1985**

[52] **U.S. Cl. .... D8/380; D14/65; 379/454; 248/285; 28/363**

[58] **Field of Search ..... D14/59, 65; D8/380; 179/151, 150, 152, 153, 146 R; 379/454**

[56] **References Cited**

**U.S. PATENT DOCUMENTS**

314,371	3/1885	Fitch	248/282
787,119	4/1905	Scott	248/282
852,081	4/1907	Skelley	248/282
895,833	8/1908	Aungst	248/285
900,640	10/1908	Anderson	248/285
1,011,405	12/1911	Burns	379/454
1,288,611	12/1918	Jones	248/285
1,358,506	11/1920	Benzberg	379/454 X
1,508,488	9/1924	Fretick	248/282
1,751,691	3/1930	Flath	248/285
1,921,310	8/1933	Crisman	248/285
2,770,682	11/1956	Malone	379/454

3,345,470	10/1967	Hoffmann	379/454
3,557,311	1/1971	Goldstein	379/454 X
3,799,489	3/1974	Goerditz	248/285 X
4,003,597	1/1977	Acuff	248/285 X
4,206,324	6/1980	Horikawa et al.	179/150
4,270,721	6/1981	Mainor	248/285
4,500,065	2/1985	Henneker et al.	248/544 X
4,602,808	11/1986	Kurtin et al.	248/282 X

**FOREIGN PATENT DOCUMENTS**

550335	10/1956	Italy	248/285
--------	---------	-------	---------

*Primary Examiner*—Wallace R. Burke

*Assistant Examiner*—Horace B. Fay

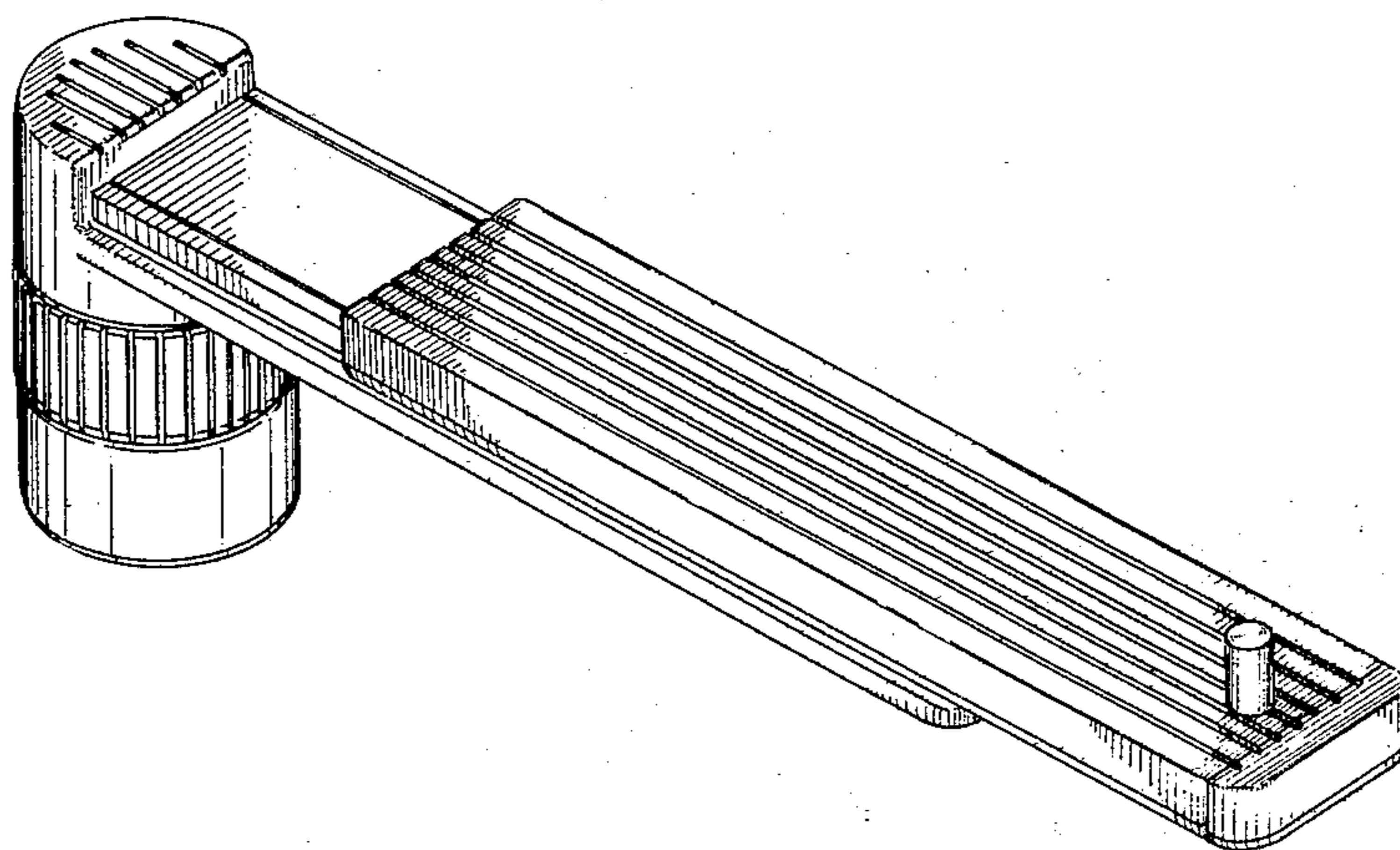
*Attorney, Agent, or Firm*—Varnum, Riddering, Schmidt & Howlett

[57] **CLAIM**

The ornamental design for telephone trays, tool caddies, or similar articles, as shown and described.

**DESCRIPTION**

FIG. 1 is a right side, top and front end perspective view of a support for telephone trays, tool caddies, or similar articles showing our new design; FIG. 2 is a right side elevational view thereof, the side opposite being a mirror image; FIG. 3 is a front elevational view thereof; FIG. 4 is a top plan view thereof; and FIG. 5 is a right side, top and front perspective view thereof showing the sliding arm of the support in its extended position.



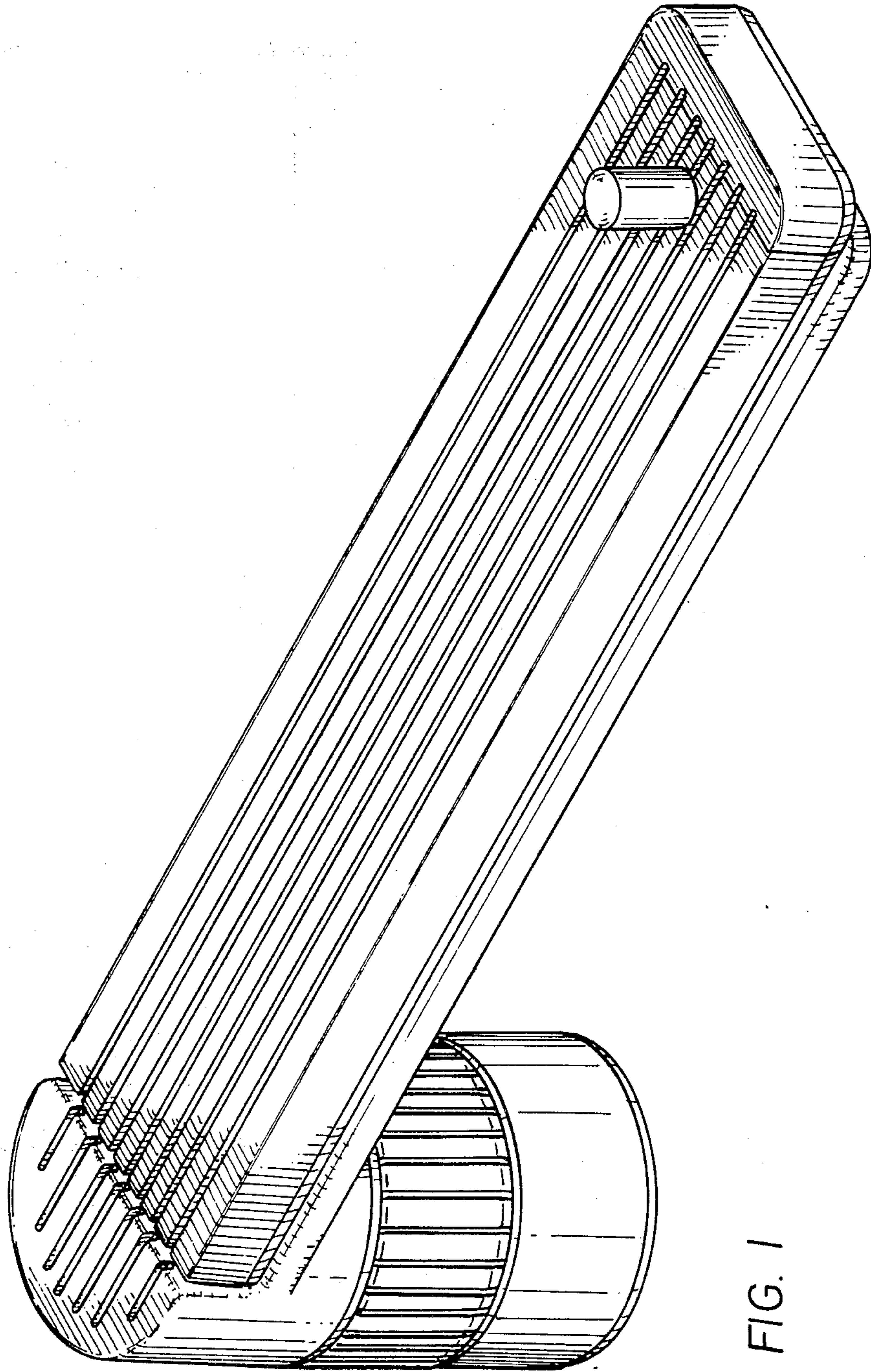


FIG. 1

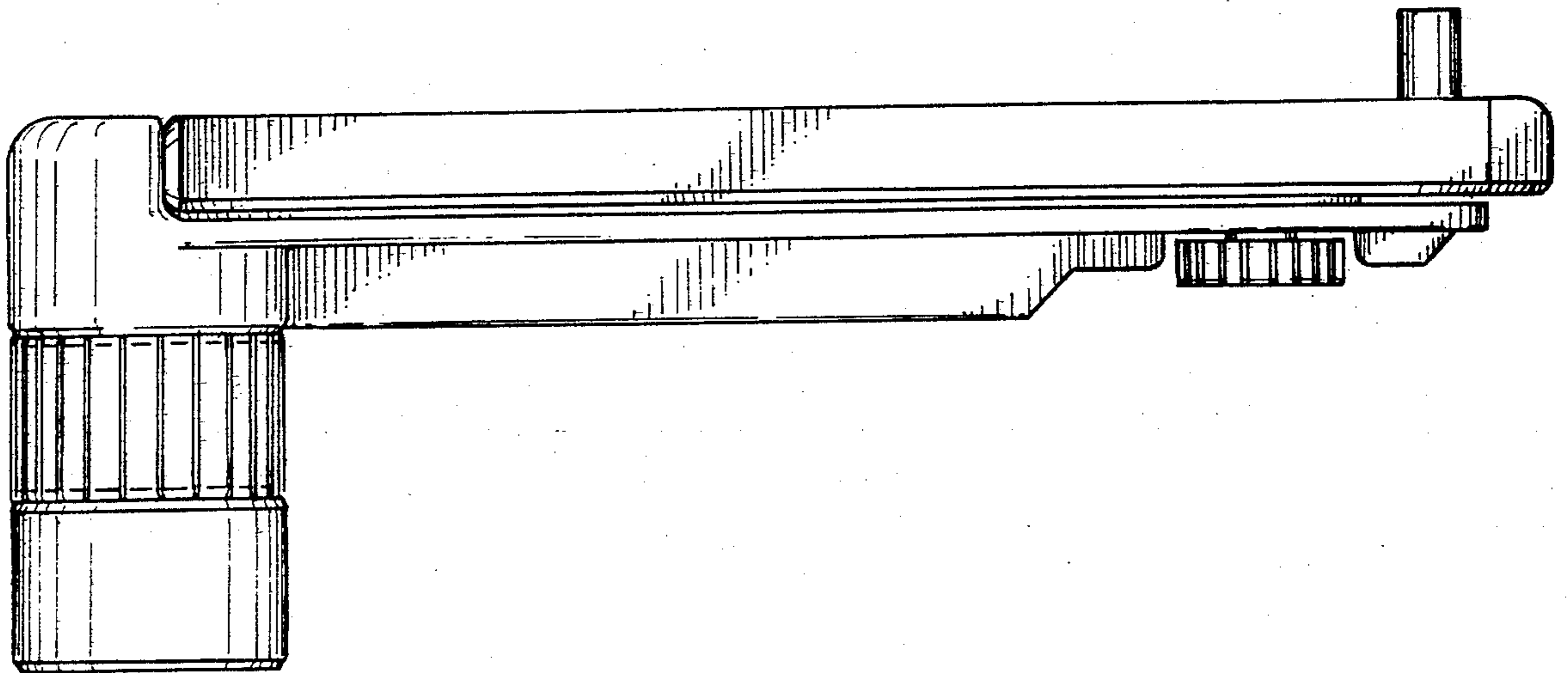


FIG. 2

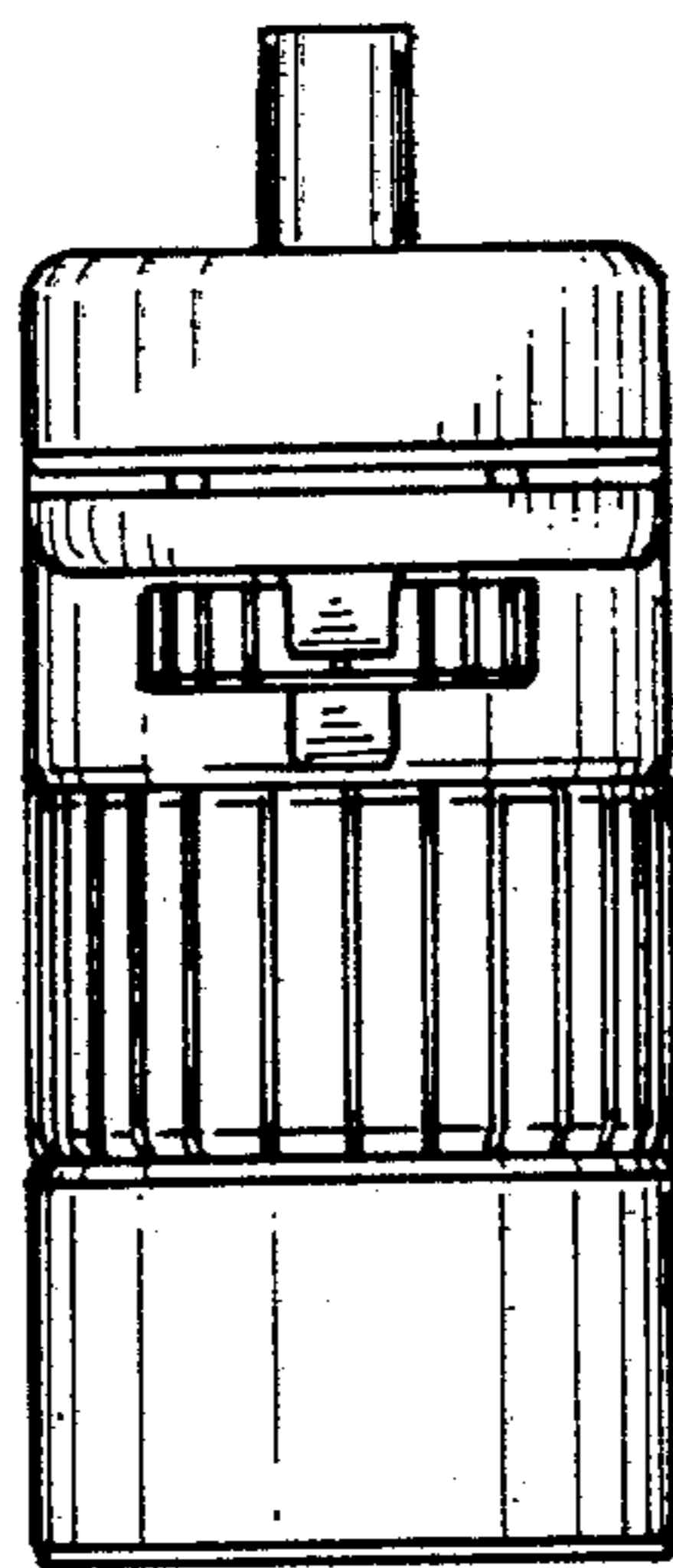


FIG. 3

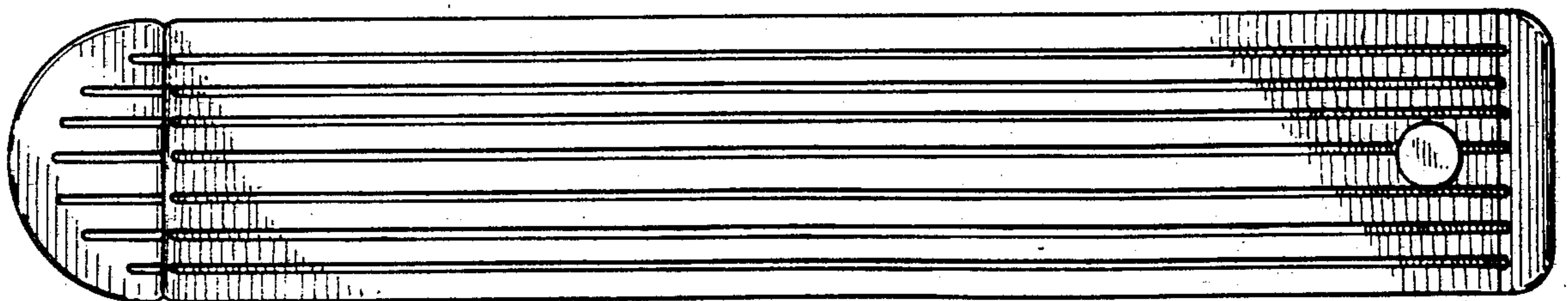


FIG. 4



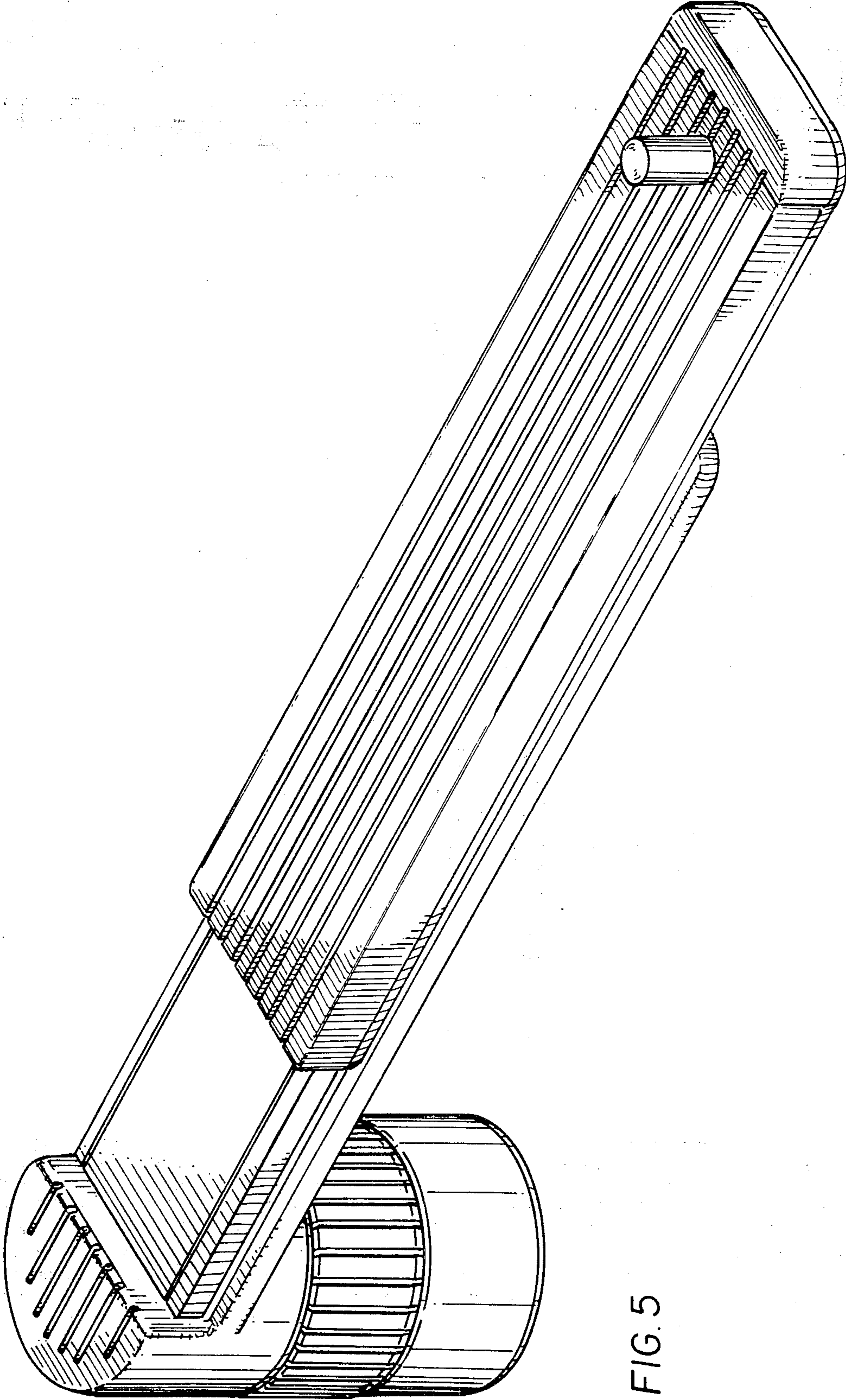


FIG. 5