

[54] PRINTED CIRCUIT BOARD STAND-OFF

[75] Inventor: Royce W. Hill, Flippin, Ark.

[73] Assignee: Micro Plastics, Inc., Flippin, Ark.

[\*\*] Term: 14 Years

[21] Appl. No.: 706,463

[22] Filed: Feb. 27, 1985

[52] U.S. Cl. .... D8/354; 174/138 D

[58] Field of Search ..... D8/349, 354; 174/138 D;  
24/305; D13/24, 99

[56] References Cited

U.S. PATENT DOCUMENTS

3,651,545	3/1972	Hara	174/138 D
3,688,635	9/1972	Fegen	174/138 D
3,764,729	10/1973	Kowalewski	174/138 D
3,777,052	12/1973	Fegen	174/138 D
4,200,900	4/1980	McGeorge	174/138 D
4,297,769	11/1981	Coules	174/138 D

FOREIGN PATENT DOCUMENTS

2024211 1/1972 Fed. Rep. of Germany ..... 24/305

OTHER PUBLICATIONS

Richco Plastics Co., catalog, Circuit Bd. Support Model CBS-3w at p. 21.

Primary Examiner—Wallace R. Burke

Assistant Examiner—Horace B. Fay

Attorney, Agent, or Firm—Stephen D. Carver

[57] CLAIM

The ornamental design for a printed circuit board stand-off, as shown and described.

DESCRIPTION

FIG. 1 is an isometric view of a printed circuit board stand-off showing my new design;  
FIG. 2 is a front elevational view thereof, the rear elevational view being a mirror image;  
FIG. 3 is a top plan view thereof;  
FIG. 4 is a bottom plan view thereof;  
FIG. 5 is a side elevational view thereof, the side opposite being a mirror image;  
FIG. 6 is a cross sectional view thereof taken along the line 6—6 of FIG. 5;  
FIG. 7 is a cross sectional view taken along the line 7—7 of FIG. 2;  
FIG. 8 is a cross sectional view taken along line 8—8 of FIG. 1; and  
FIG. 9 is a cross sectional view taken along line 9—9 of FIG. 1.

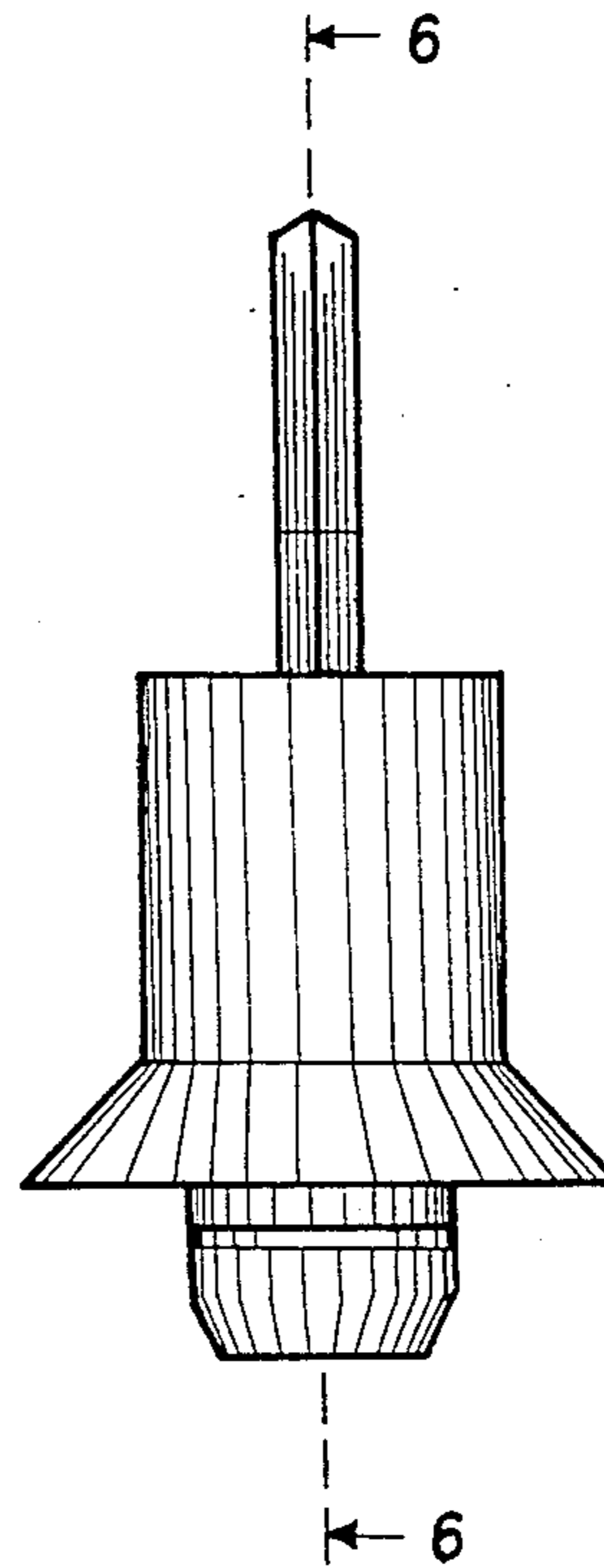
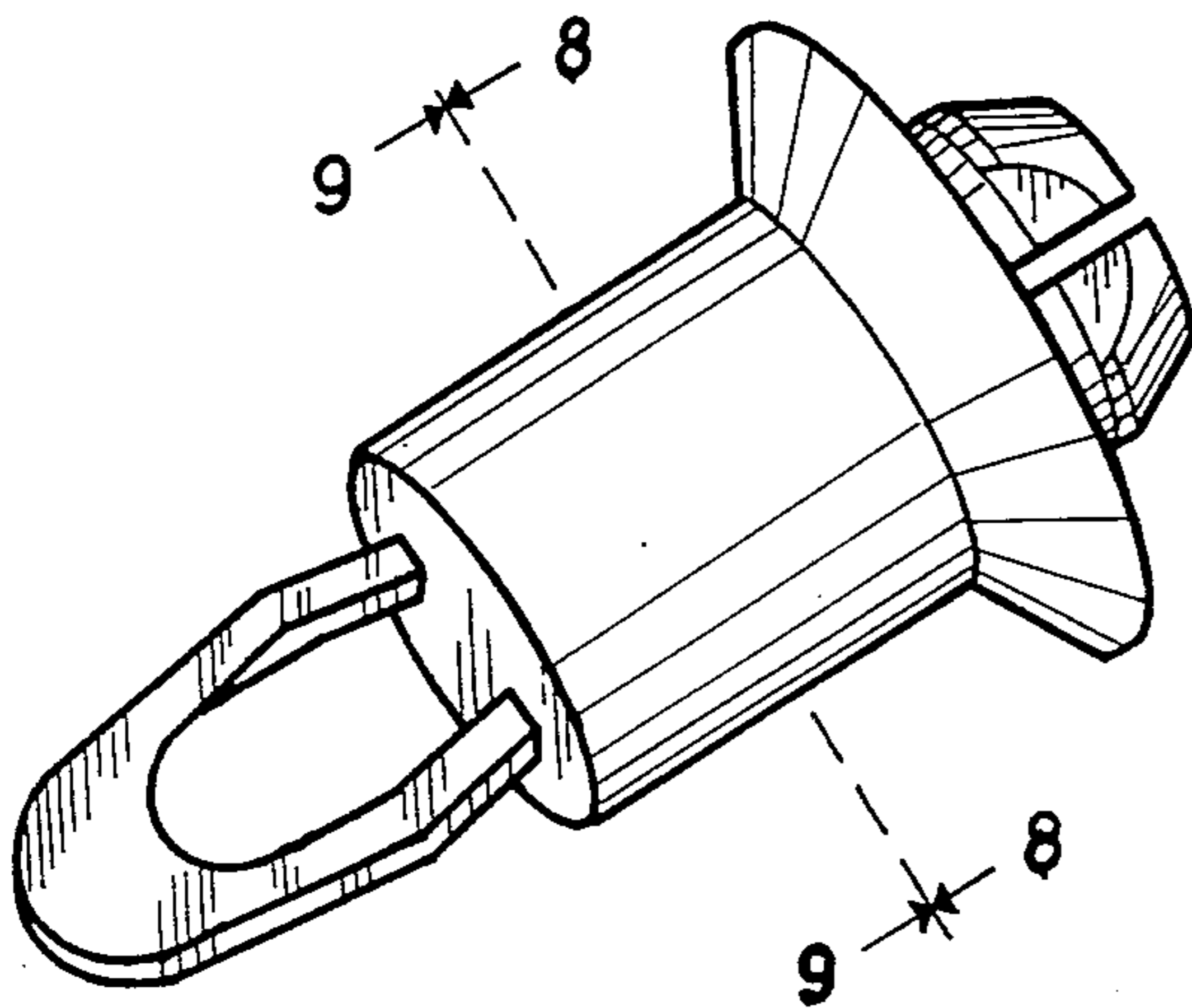


FIG. 1

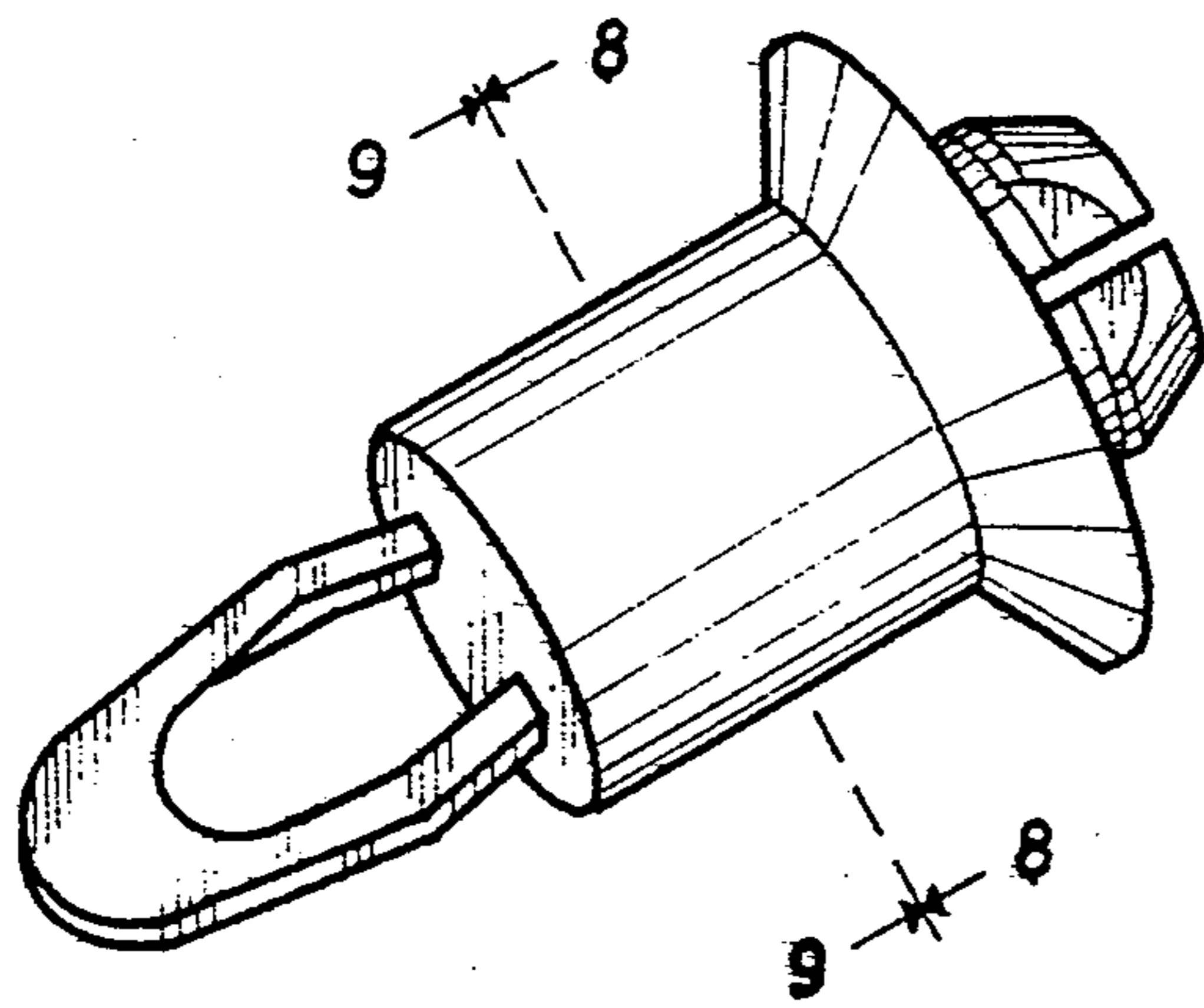


FIG. 2

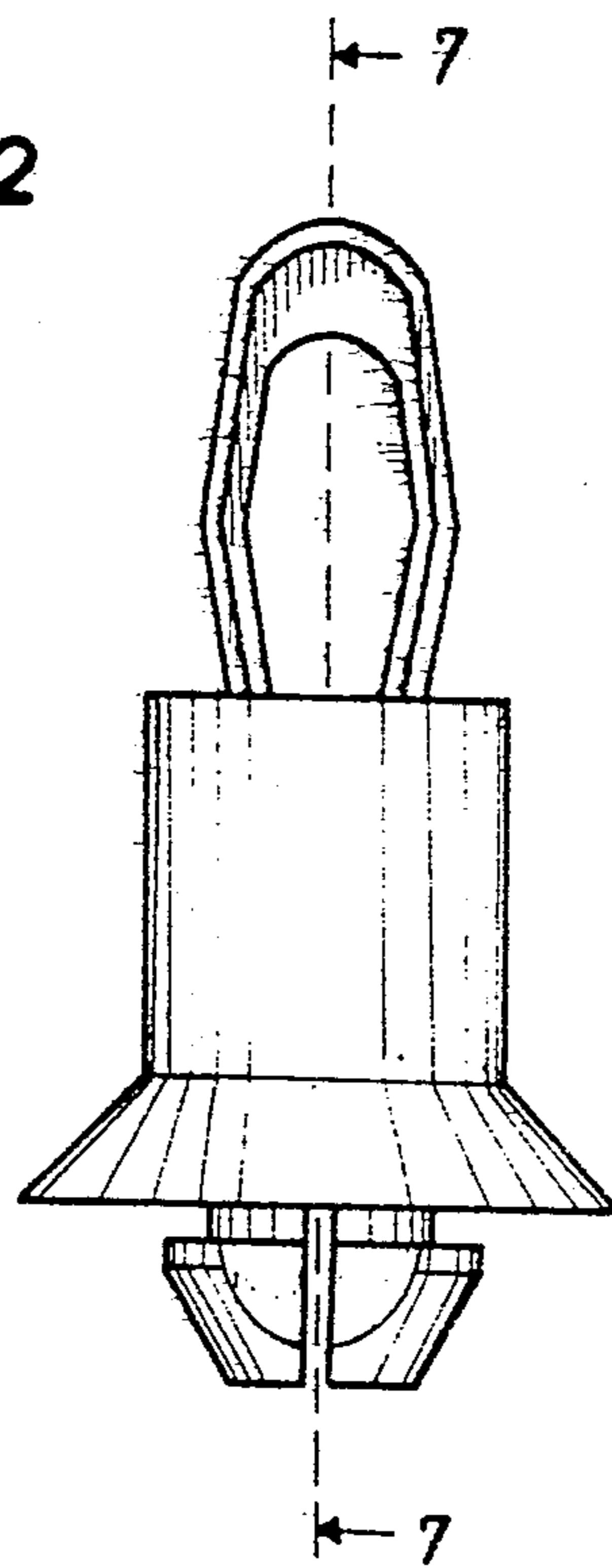


FIG. 3

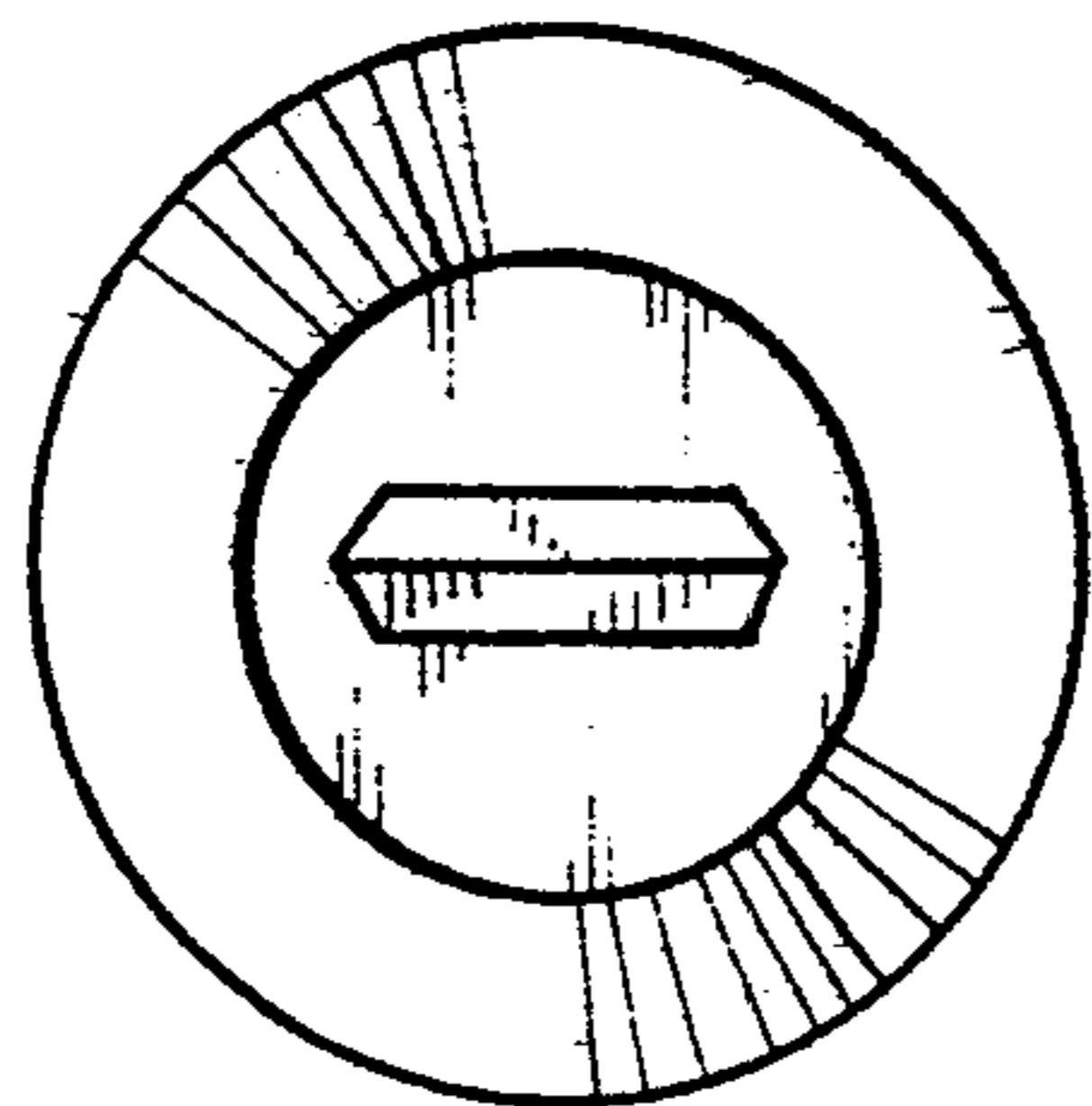


FIG. 4

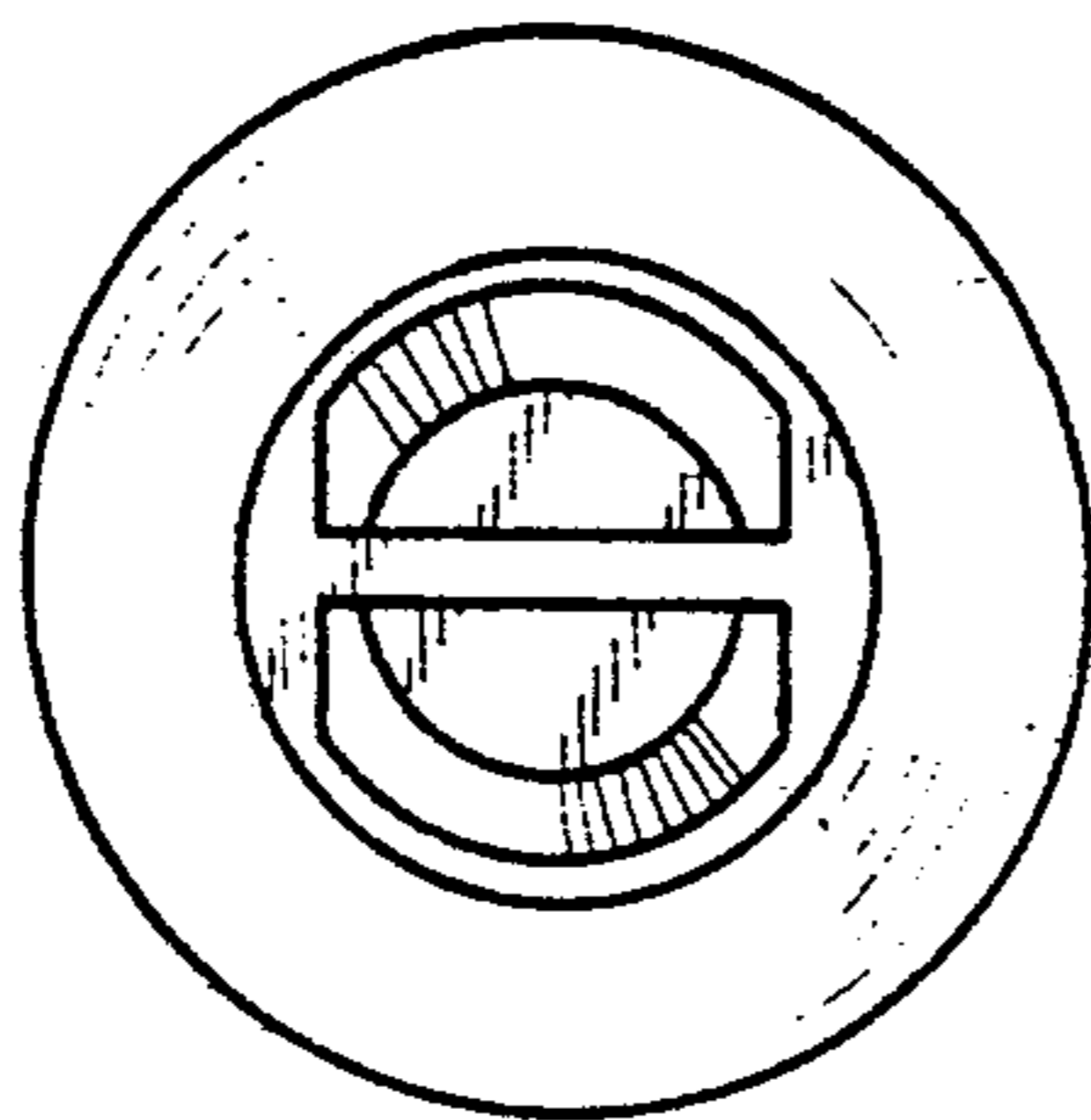


FIG. 5

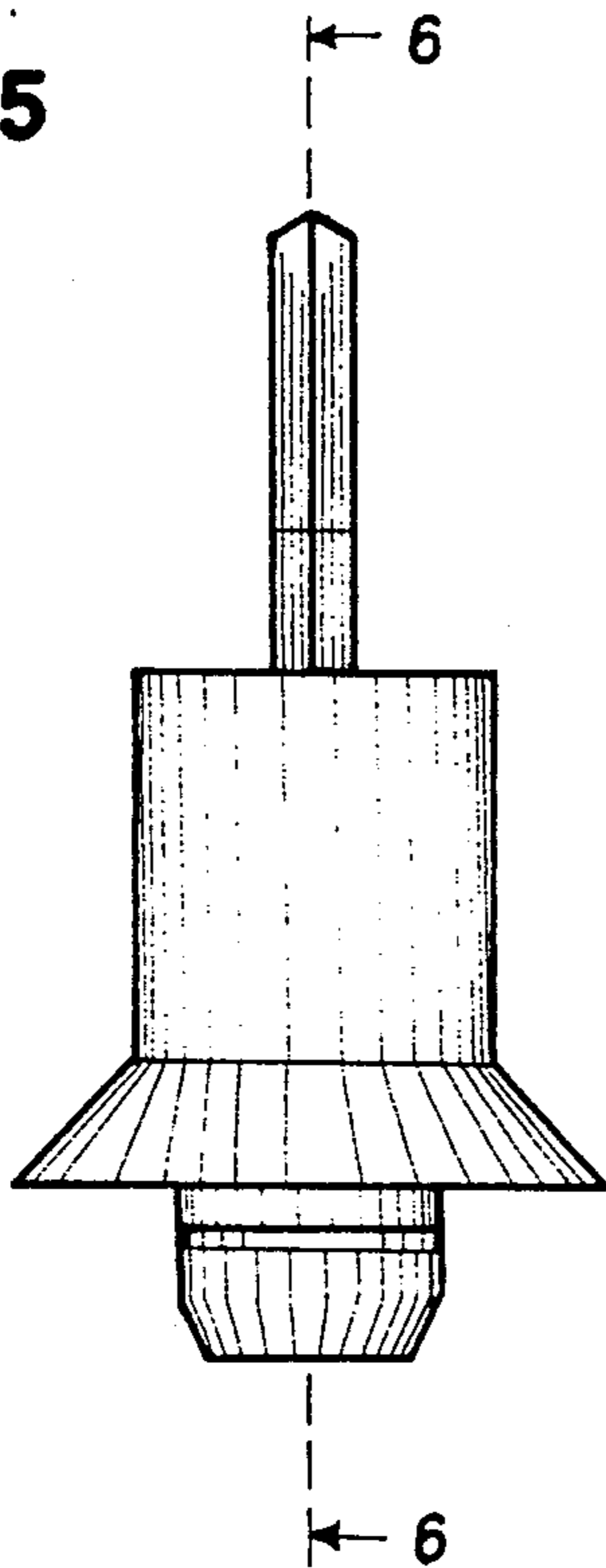


FIG. 6

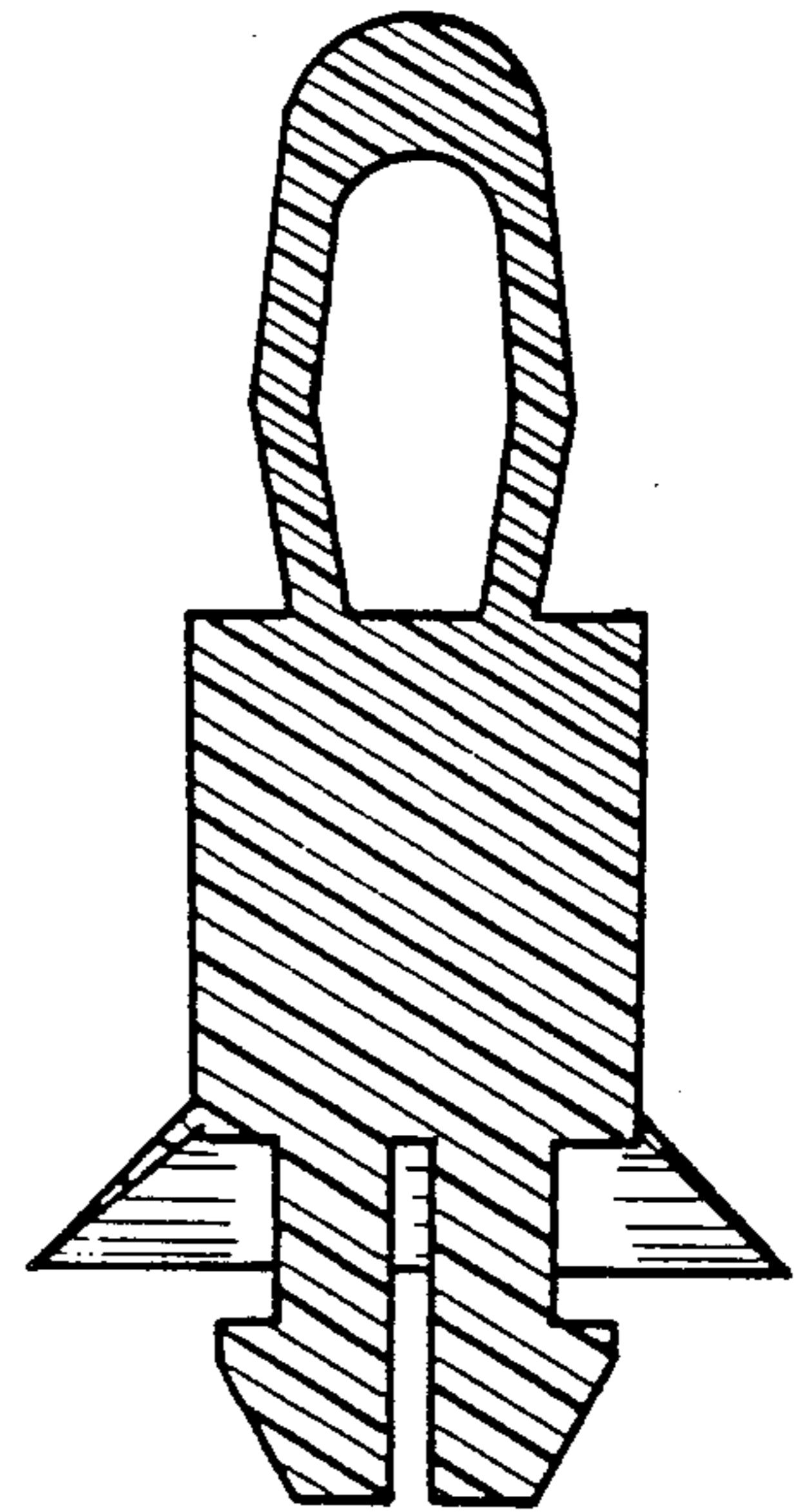


FIG. 7

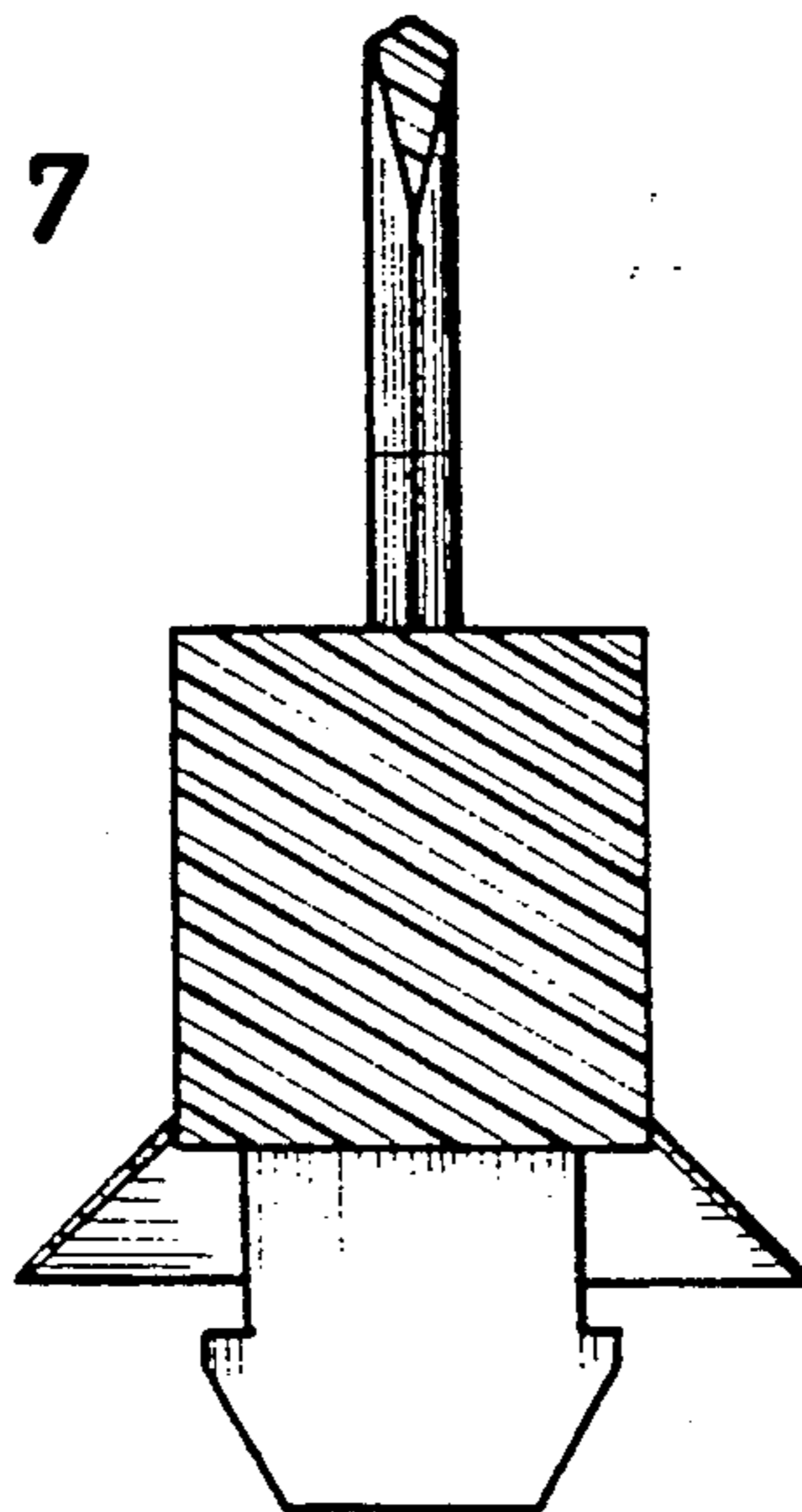


FIG. 8

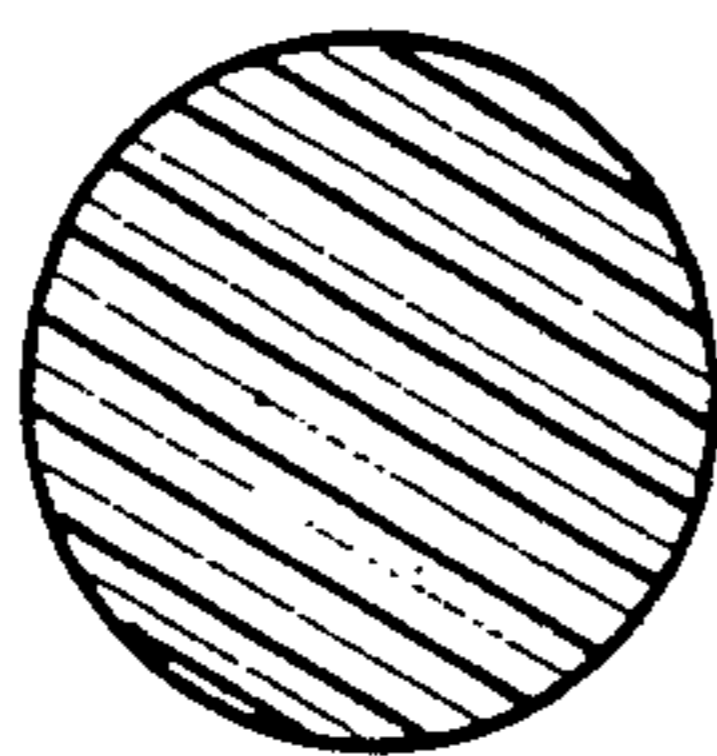


FIG. 9

