

[54] STRIKER FOR EXOTHERMIC CUTTING ELECTRODES

[75] Inventor: David B. Chaney, Powell, Ohio
[73] Assignee: Arcair Company, Columbus, Ohio
[**] Term: 14 Years
[21] Appl. No.: 636,523
[22] Filed: Aug. 1, 1984
[52] U.S. Cl. D8/30; D8/14
[58] Field of Search D8/14, 30; D15/144; 431/258, 273, 128; 239/81; 266/48

[56] References Cited
U.S. PATENT DOCUMENTS

3,471,246	10/1969	Piffath et al.	431/273	X
4,459,096	7/1984	Fischer et al.	431/273	X
4,573,665	3/1986	Strohl et al.	431/128	X

FOREIGN PATENT DOCUMENTS

12923 1/1983 Japan 431/258

Primary Examiner—Susan J. Lucas
Assistant Examiner—C. E. Heflin
Attorney, Agent, or Firm—James C. Simmons; E. Eugene Innis

[57] CLAIM

The ornamental design for a striker for exothermic cutting electrodes, as shown and described.

DESCRIPTION

FIG. 1 is a perspective view taken from the top and left side of the striker for exothermic cutting electrodes showing my new design;
FIG. 2 is a perspective view taken from the bottom and right side;
FIG. 3 is an end elevational view thereof taken from the "U" shaped end thereof.

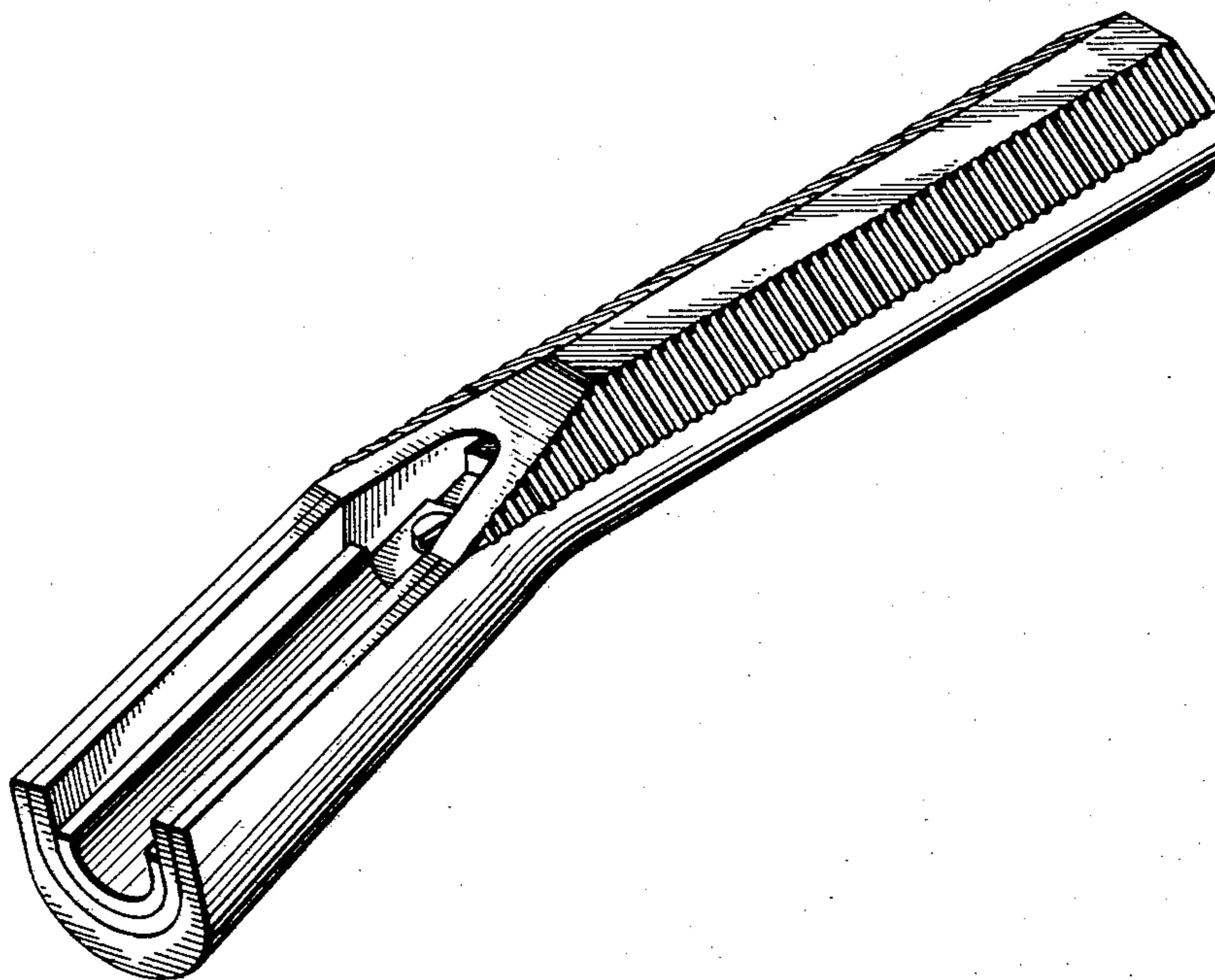


FIG. 1

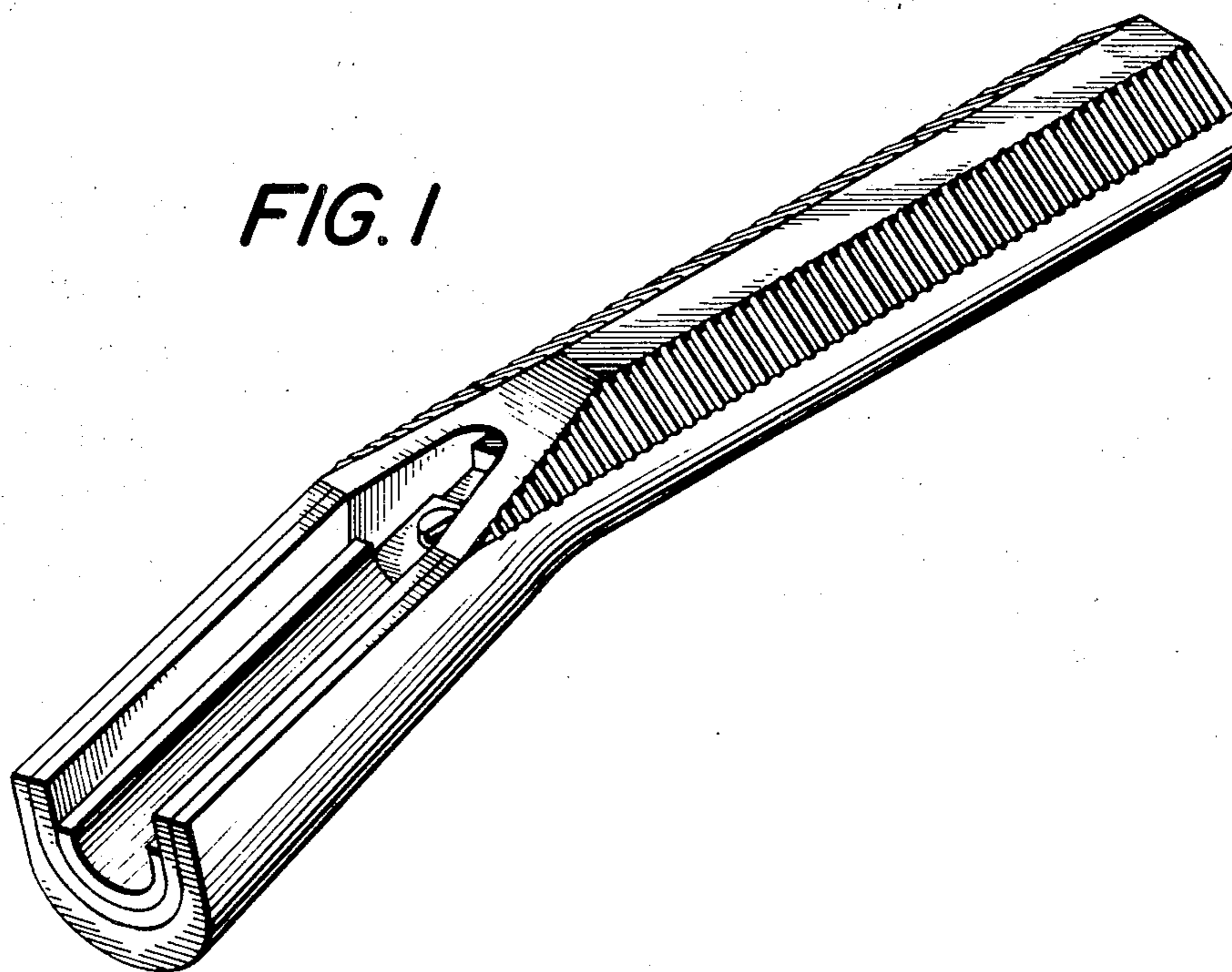
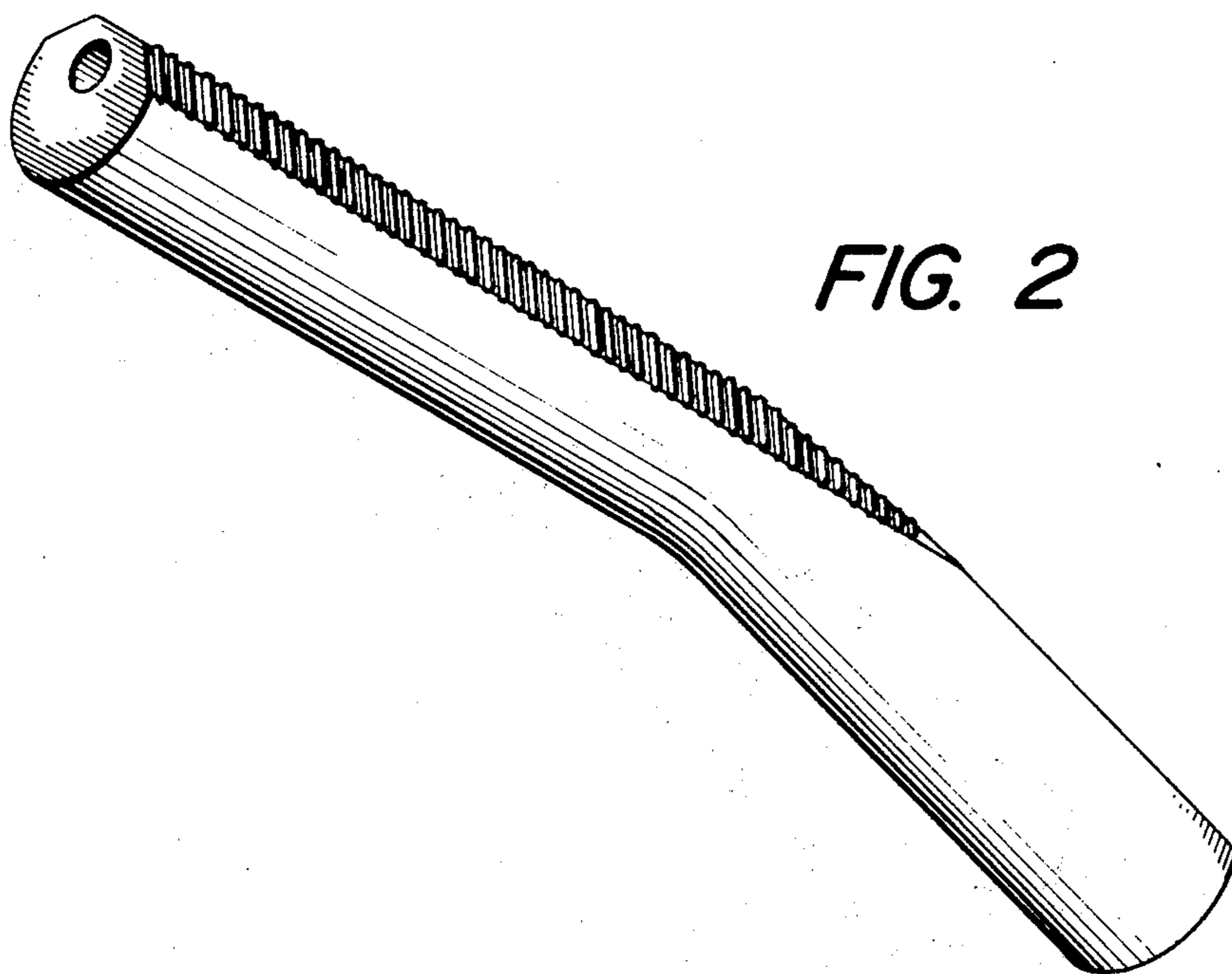


FIG. 2



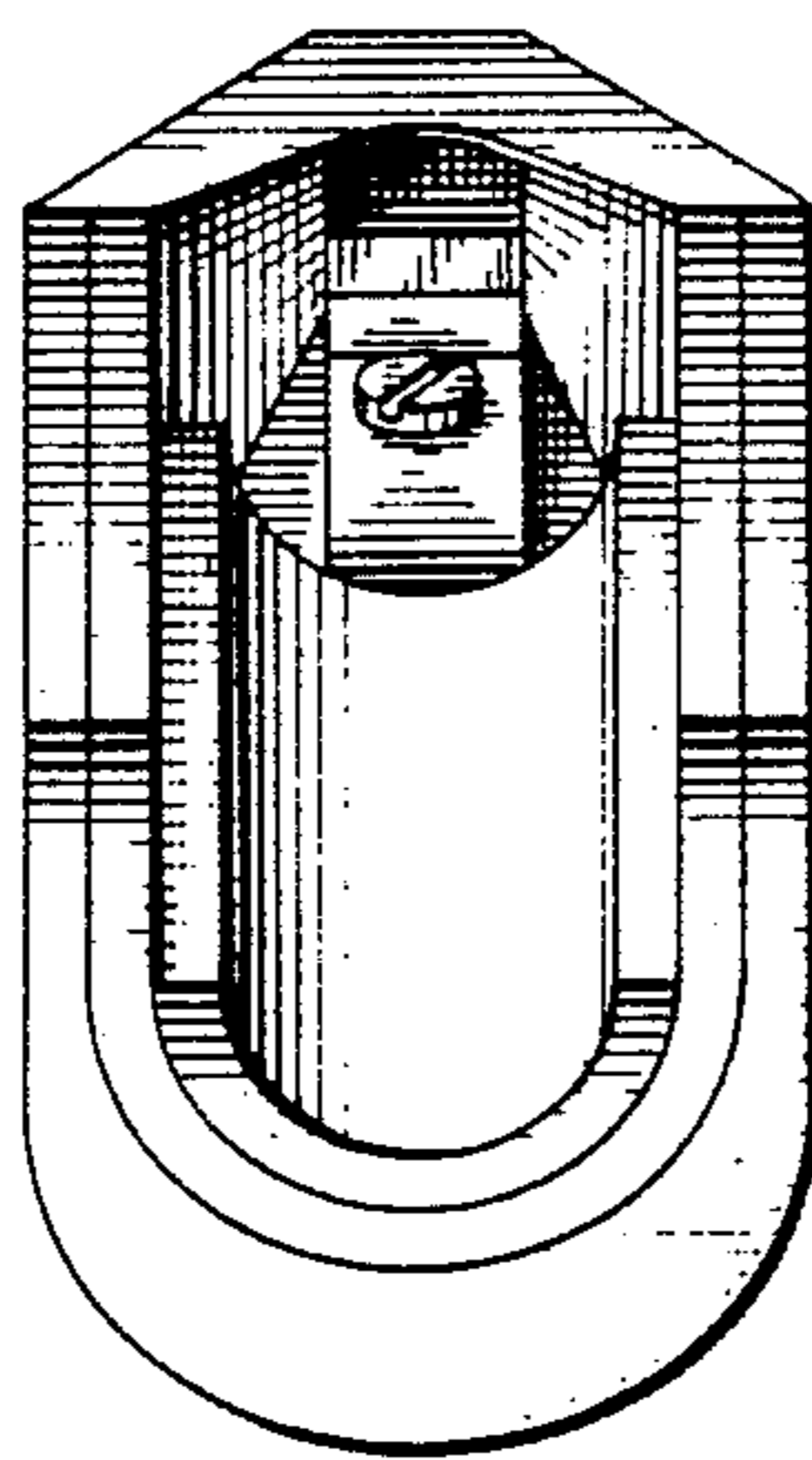


FIG. 3