

[54] FOOD PROCESSOR

[75] Inventor: Jean-Louis Barrault,
Boulogne-Billancourt, France

[73] Assignee: Moulinex, Societe Anonyme,
Bagnolet, France

[**] Term: 14 Years

[21] Appl. No.: 685,480

[22] Filed: Dec. 24, 1984

[30] Foreign Application Priority Data

Jun. 22, 1984 [FR] France 842 814
Sep. 19, 1984 [FR] France 844 110

[52] U.S. Cl. D7/384

[58] Field of Search D7/376-386,
D7/412; 241/92, 93, 37.5, 282.1, 282.2

[56] References Cited

U.S. PATENT DOCUMENTS

D. 272,979 3/1984 Akita et al. D7/384

1,429,348	9/1922	Homan	241/92
3,985,304	10/1976	Sontheimer	241/92
4,194,697	3/1980	Lembeck	241/282.1 X
4,213,569	7/1980	Amiot	241/282.1 X
4,216,917	8/1980	Clare et al.	241/37.5

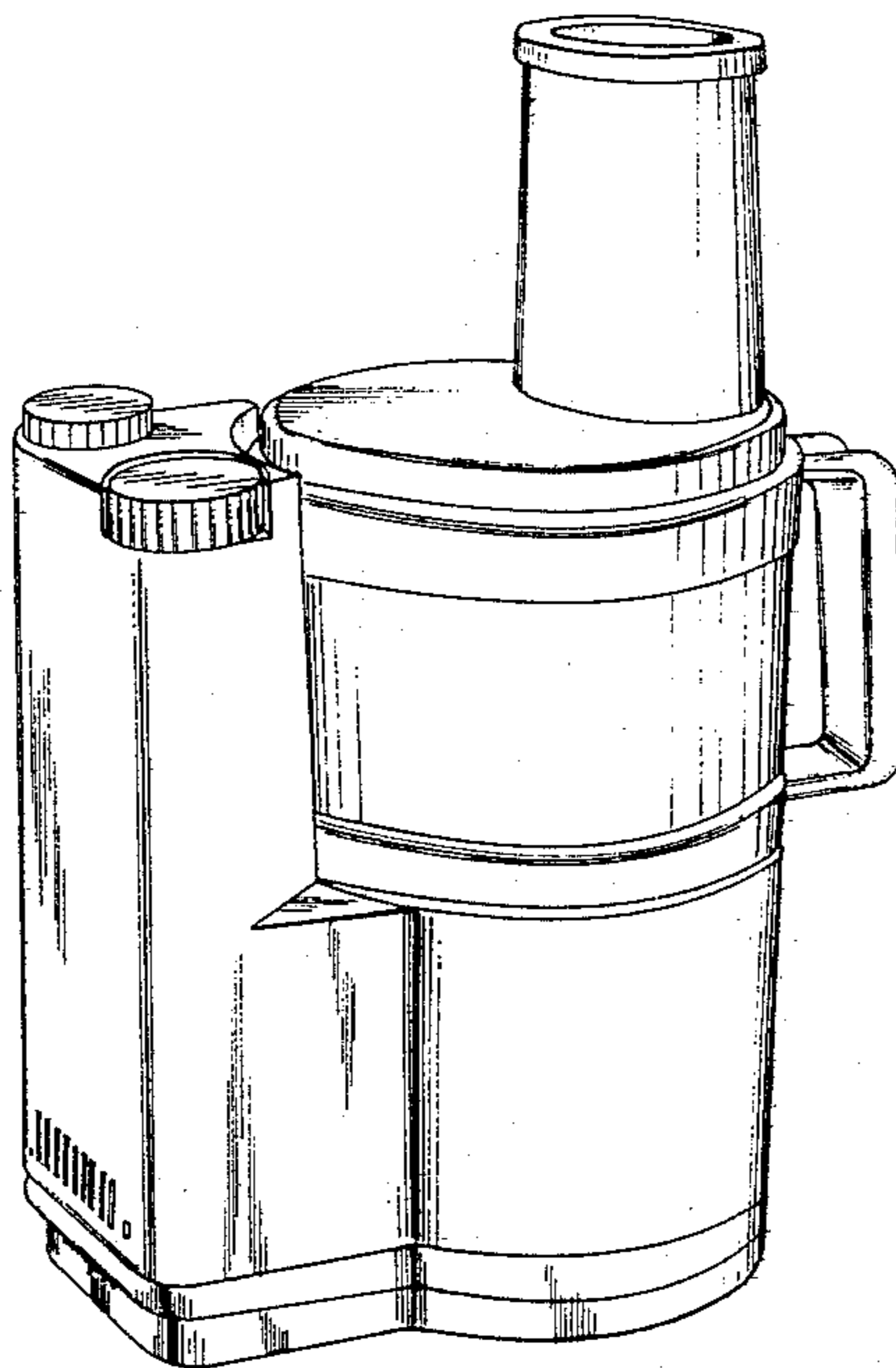
Primary Examiner—Bernard Ansher
Assistant Examiner—Linda Titolo
Attorney, Agent, or Firm—Young & Thompson

[57] CLAIM

The ornamental design for a food processor, as shown and described.

DESCRIPTION

FIG. 1 is a top front and left side perspective view of a food processor, showing my new design;
FIG. 2 is a front elevational view thereof;
FIG. 3 is a right-side elevational view thereof;
FIG. 4 is a left-side elevational view thereof;
FIG. 5 is a rear elevational view thereof;
FIG. 6 is a top plan view thereof; and
FIG. 7 is a bottom plan view thereof.



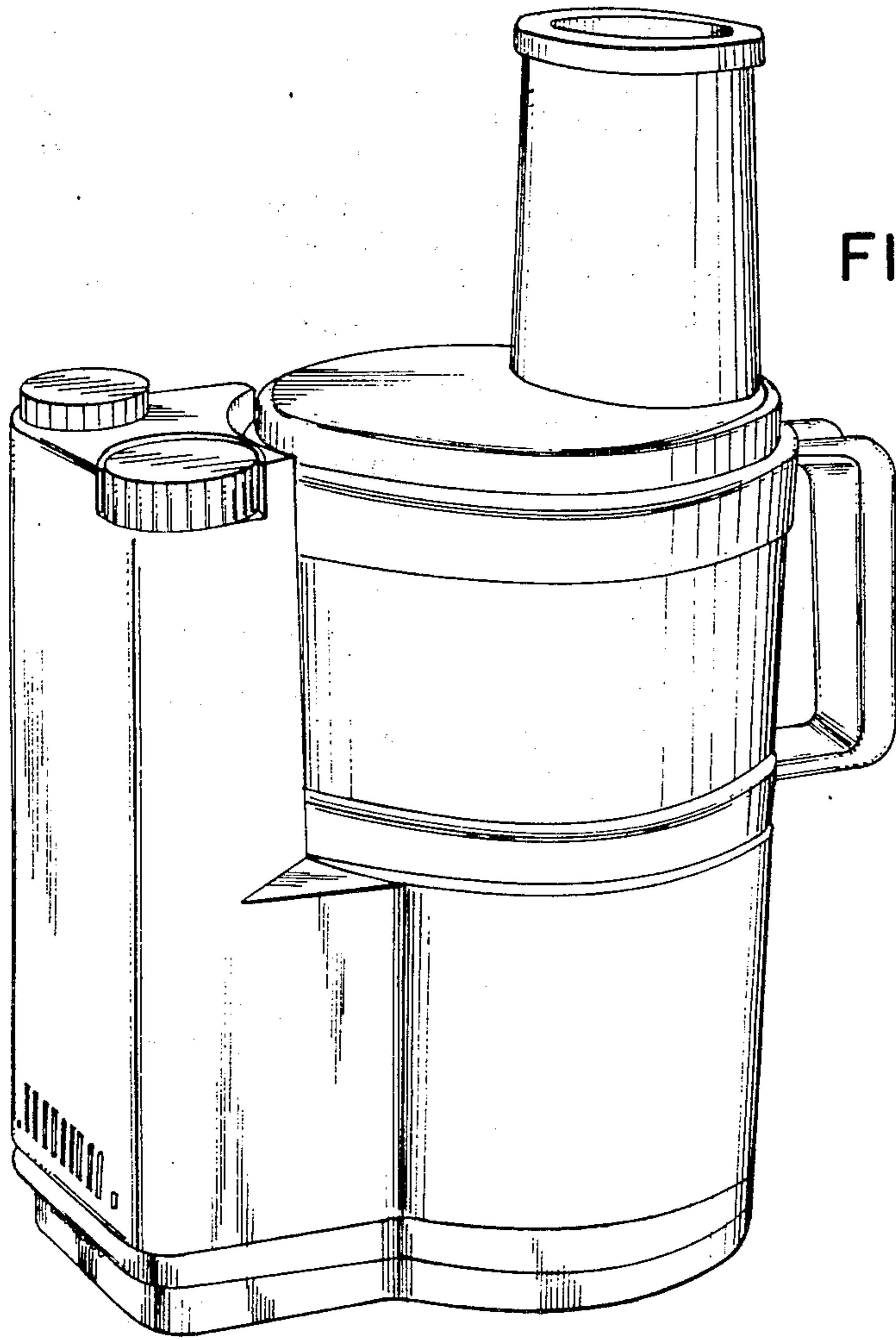
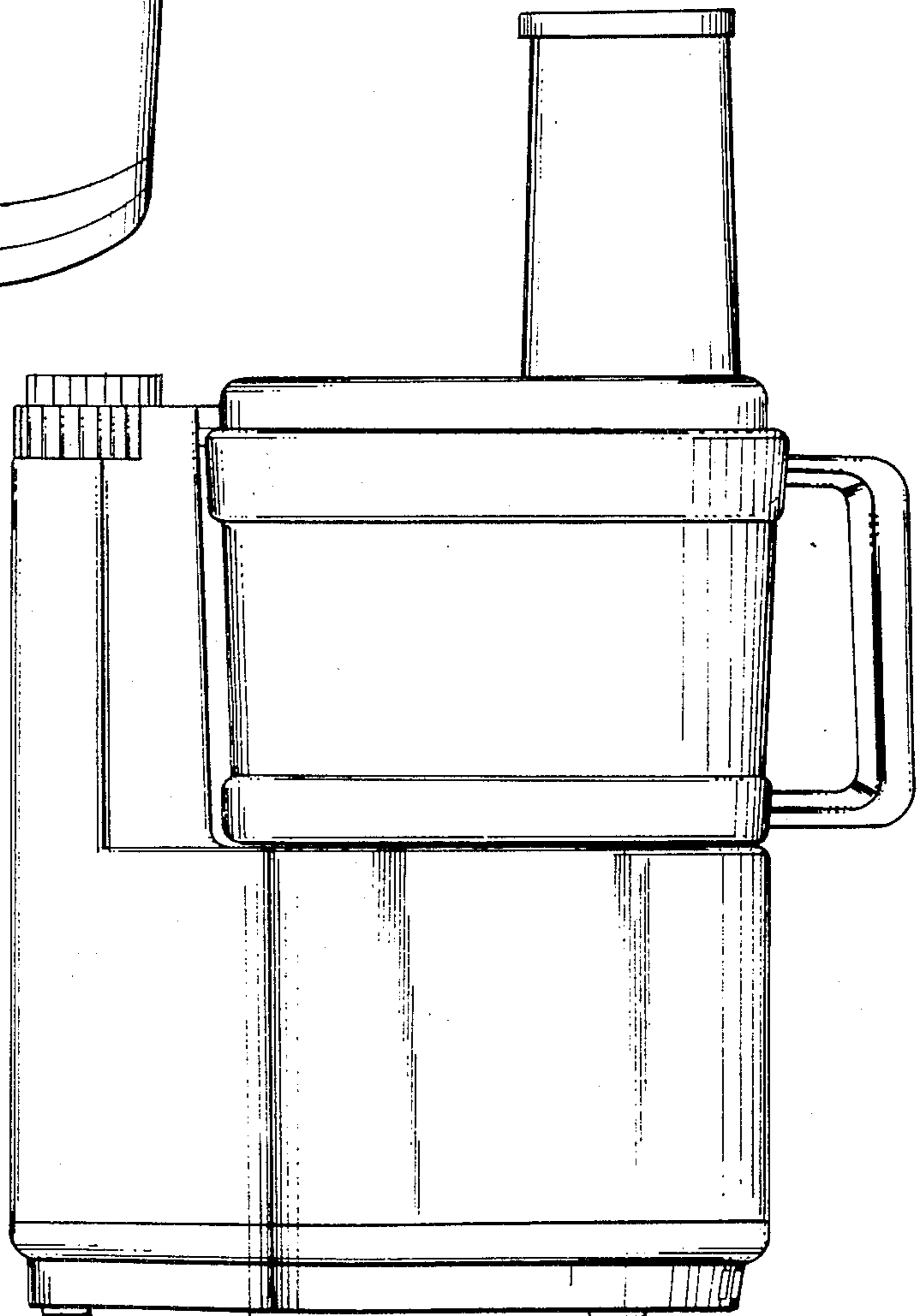


FIG. 1

FIG. 2



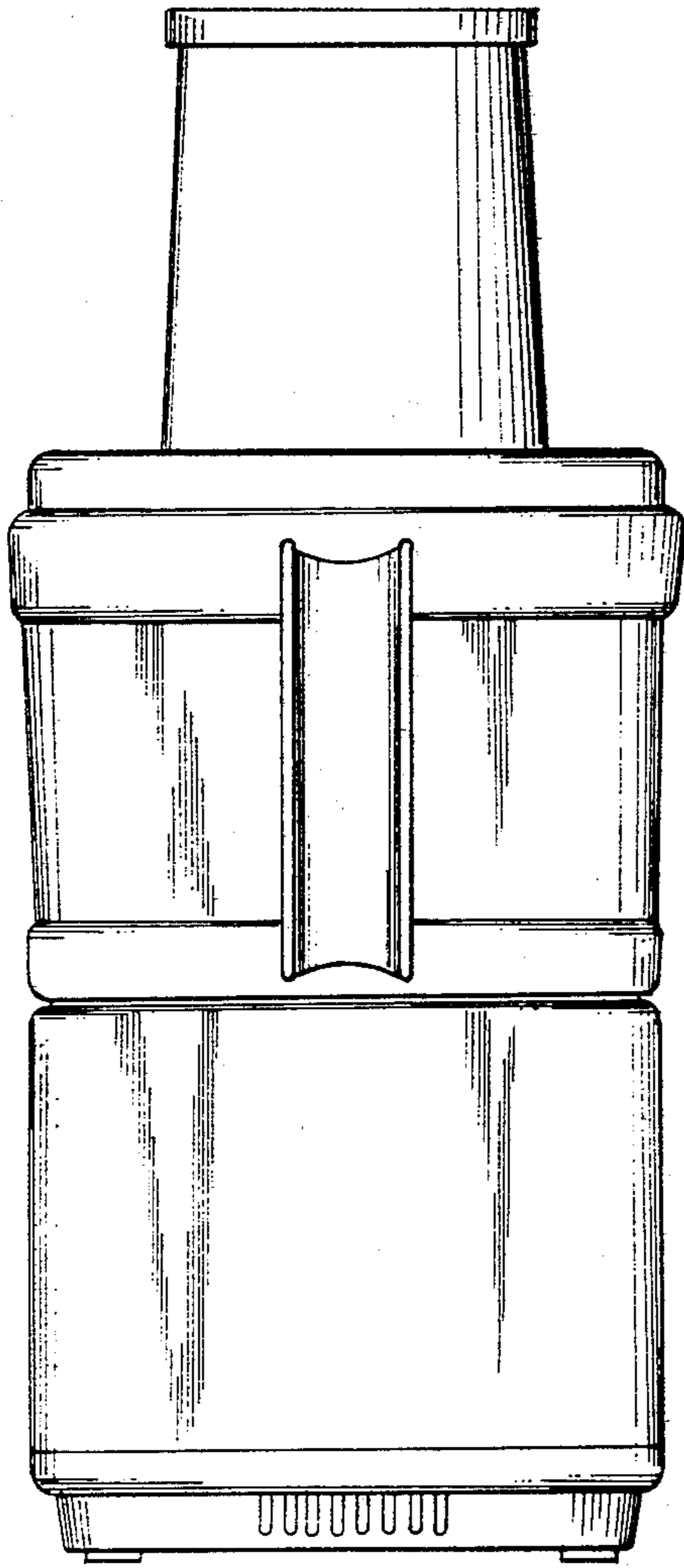


FIG. 3

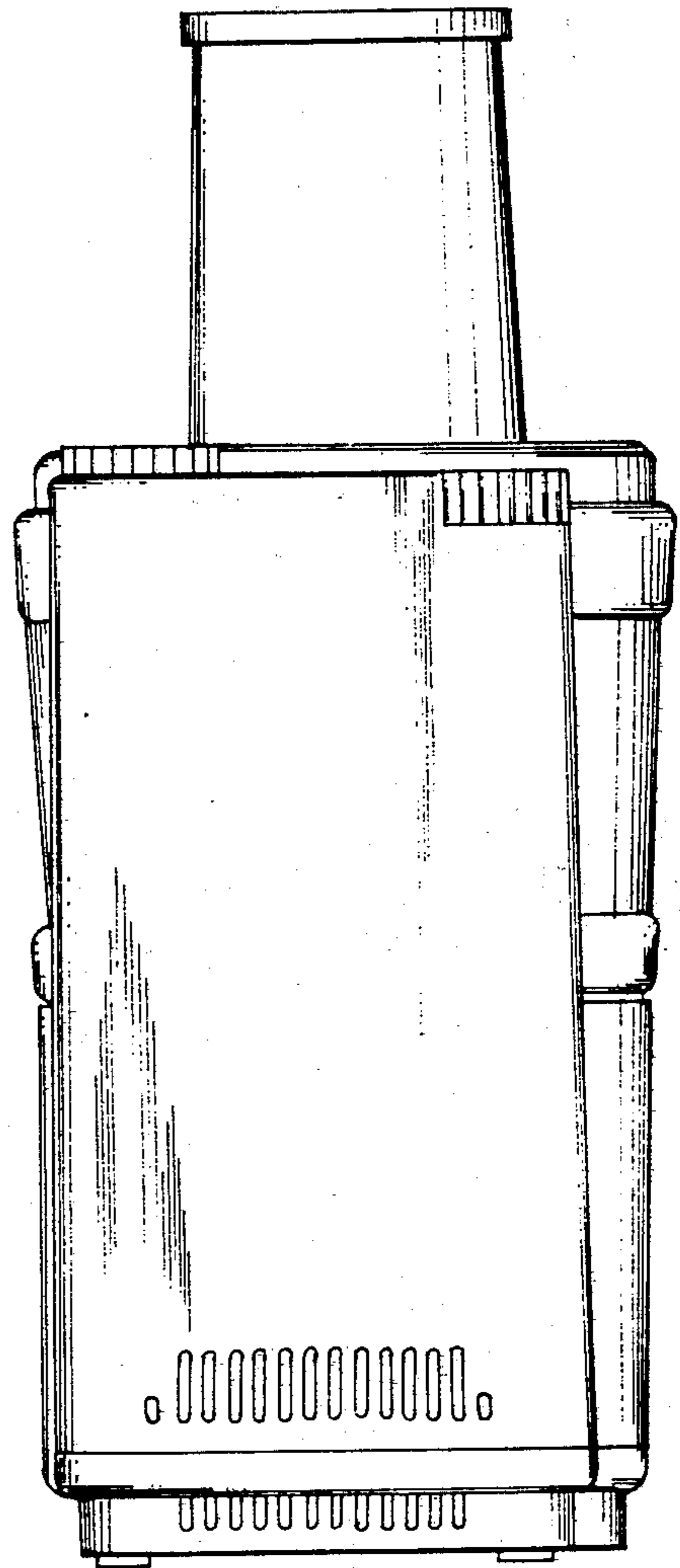


FIG. 4

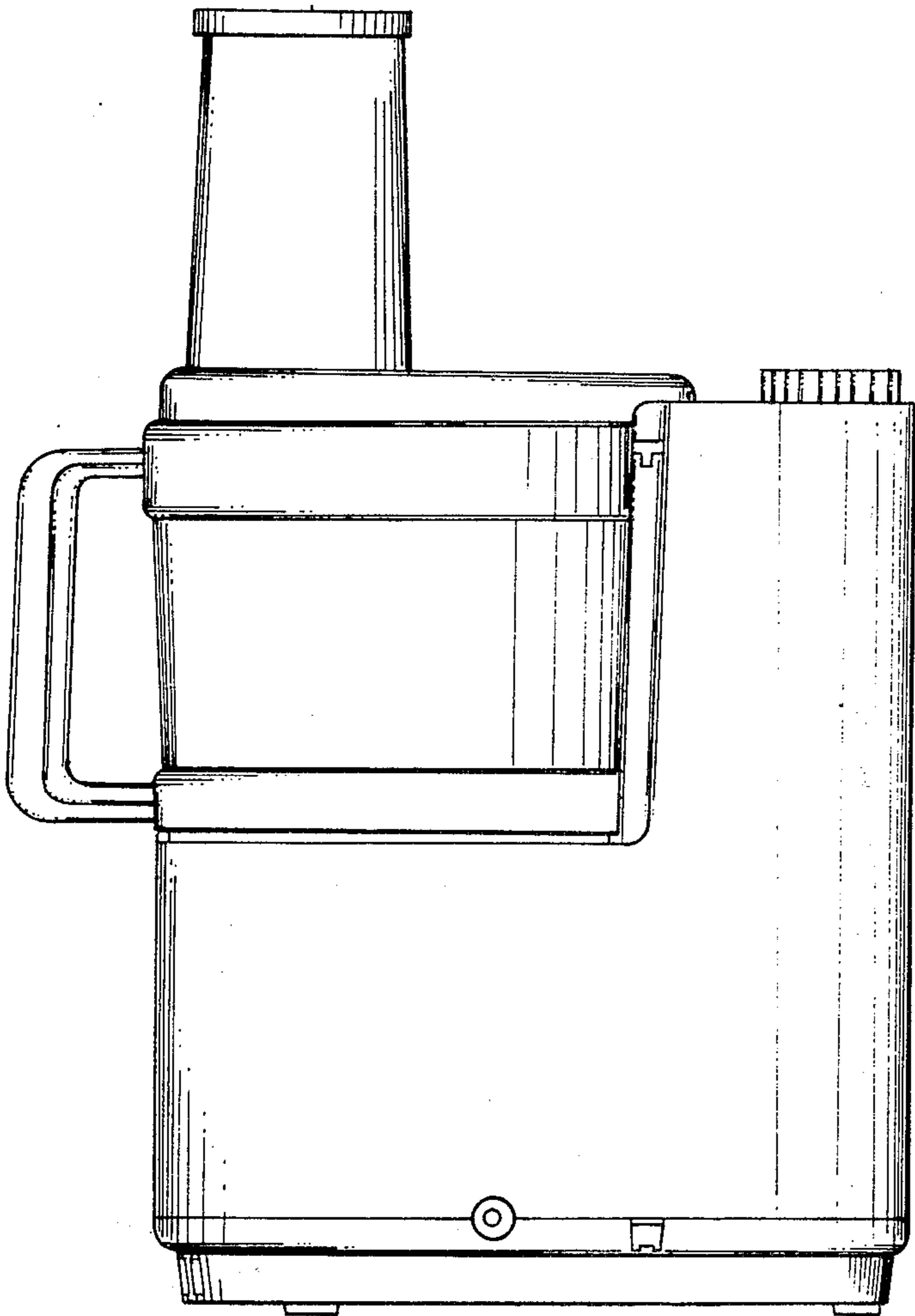


FIG. 5

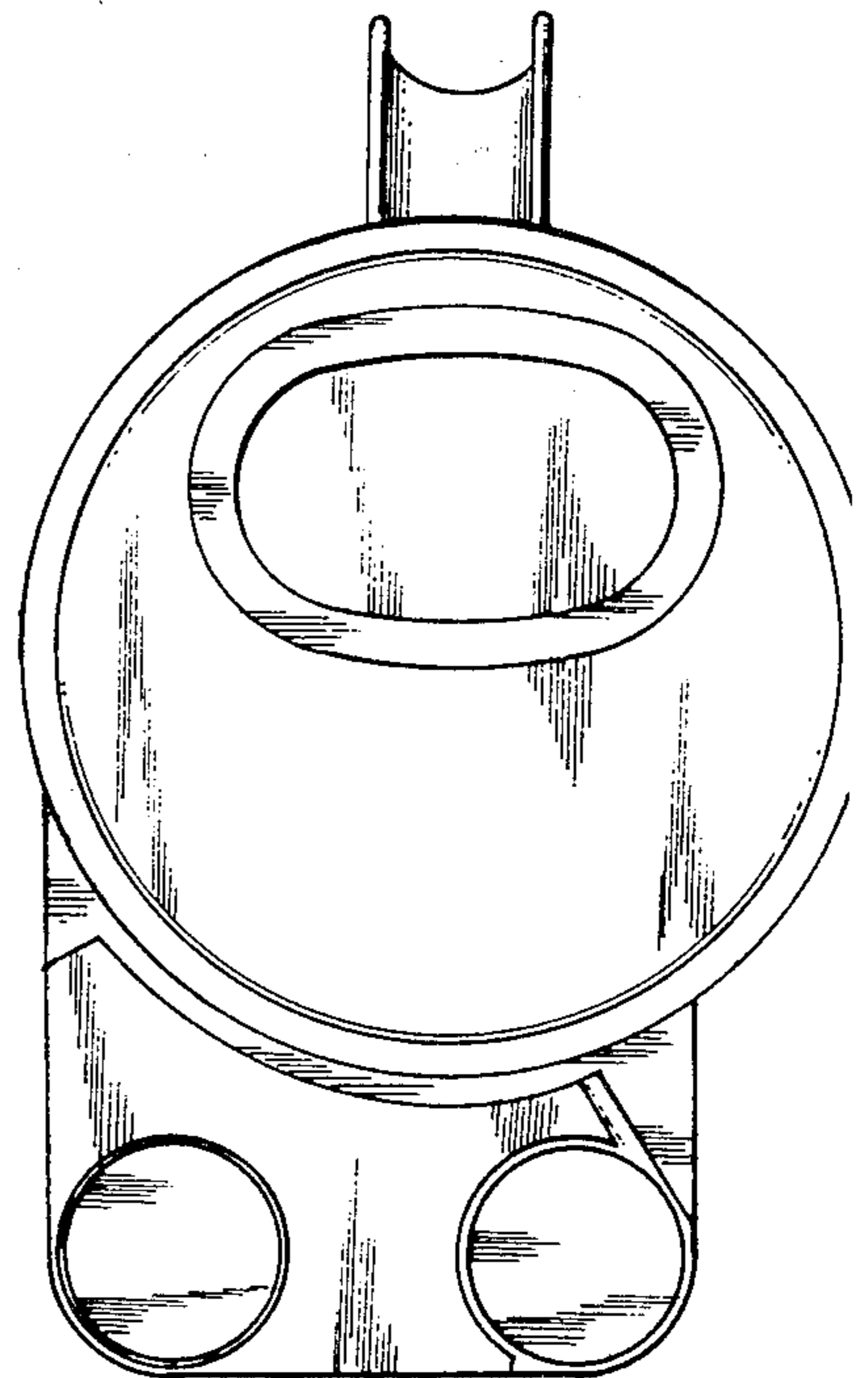


FIG. 6

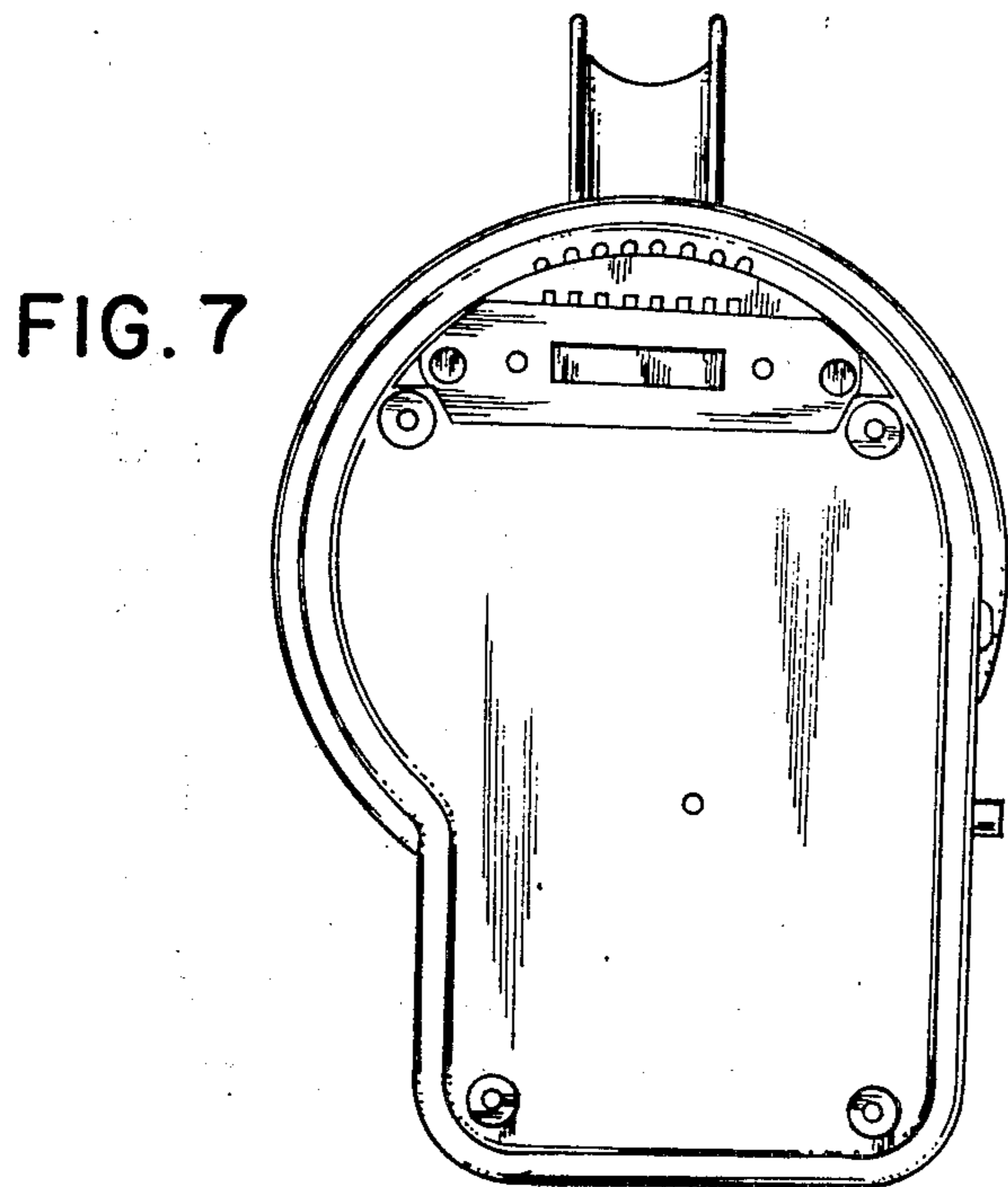


FIG. 7