

[54] CONDIMENT MILL

[76] Inventor: William E. Bounds, 3737 W. 240th St., Torrance, Calif. 90505

[**] Term: 14 Years

[21] Appl. No.: 728,043

[22] Filed: Apr. 29, 1985

[52] U.S. Cl. D7/53

[58] Field of Search D7/52-57; 222/142.1-142.9; 241/168, 169, 169.1; D9/390, 399

References Cited

U.S. PATENT DOCUMENTS

2,490,721 12/1949 Via 241/169 X
4,135,672 1/1979 Schlessel 241/169.1

OTHER PUBLICATIONS

The Washington Star, 9/18/77, p. 28, Pepper Mill, bottom right corner.
Hong Kong Enterprise, 8/83, p. 373, Condiment Mill #312, upper right corner.

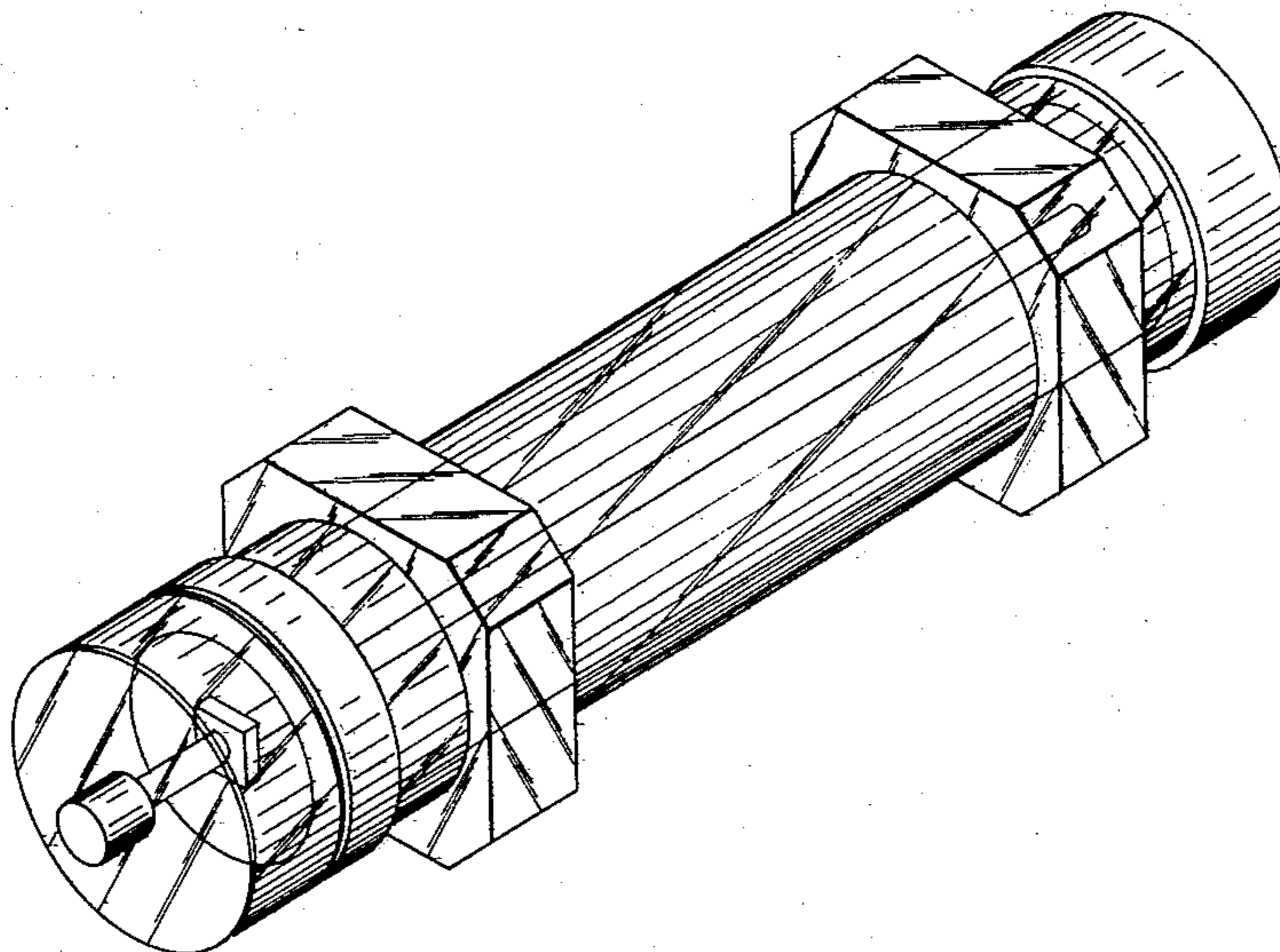
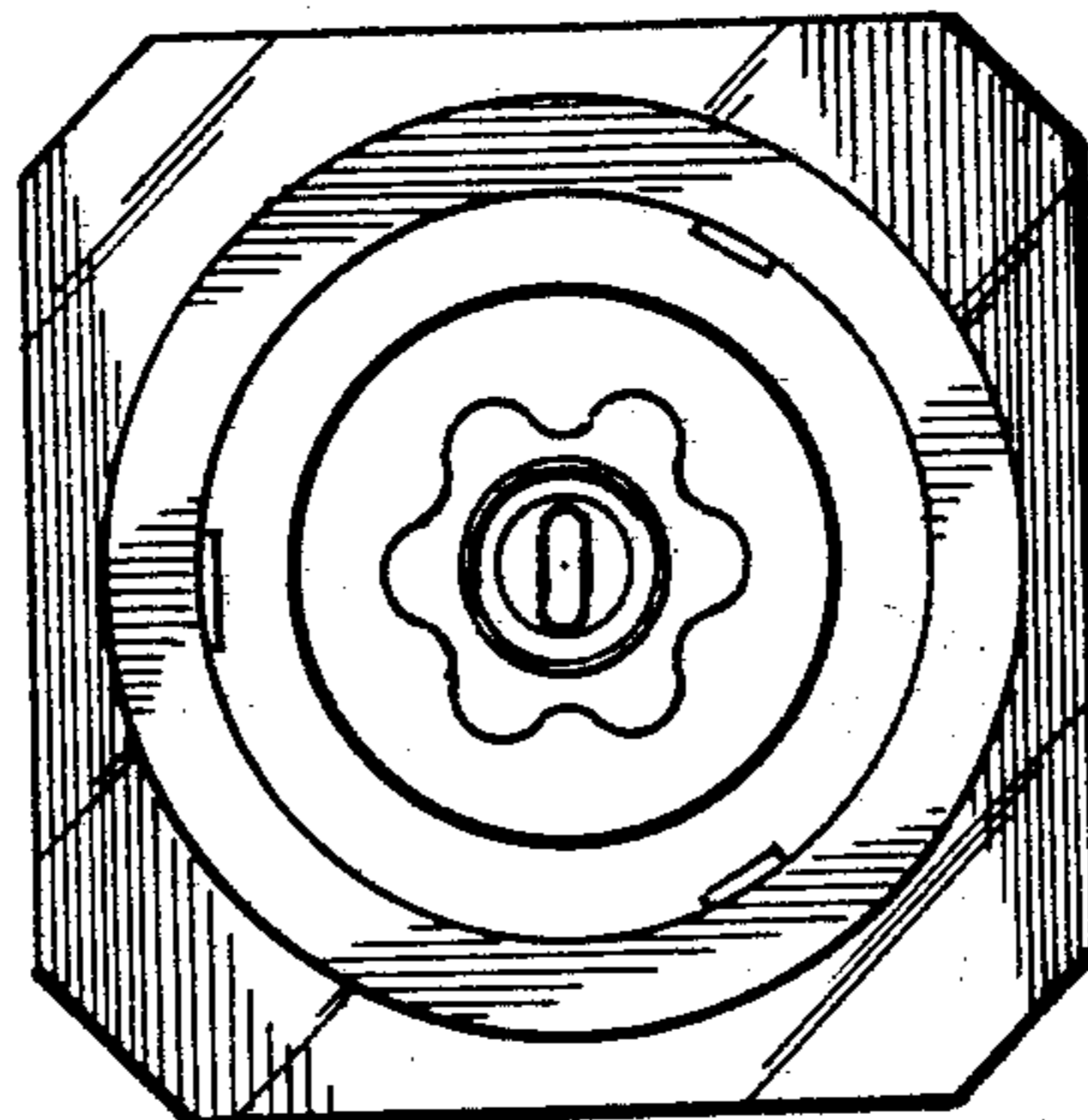
Primary Examiner—Bernard Ansher
Assistant Examiner—Terry Pfeffer
Attorney, Agent, or Firm—Edward A. Sokolski

CLAIM

[57] The ornamental design for a condiment mill, as shown and described.

DESCRIPTION

FIG. 1 is a side elevational view of a condiment mill showing my new design.
FIG. 2 is a top plan view thereof;
FIG. 3 is a bottom plan view thereof; and
FIG. 4 is a perspective view thereof.
All four sides of the condiment mill appear the same as shown in FIG. 1.



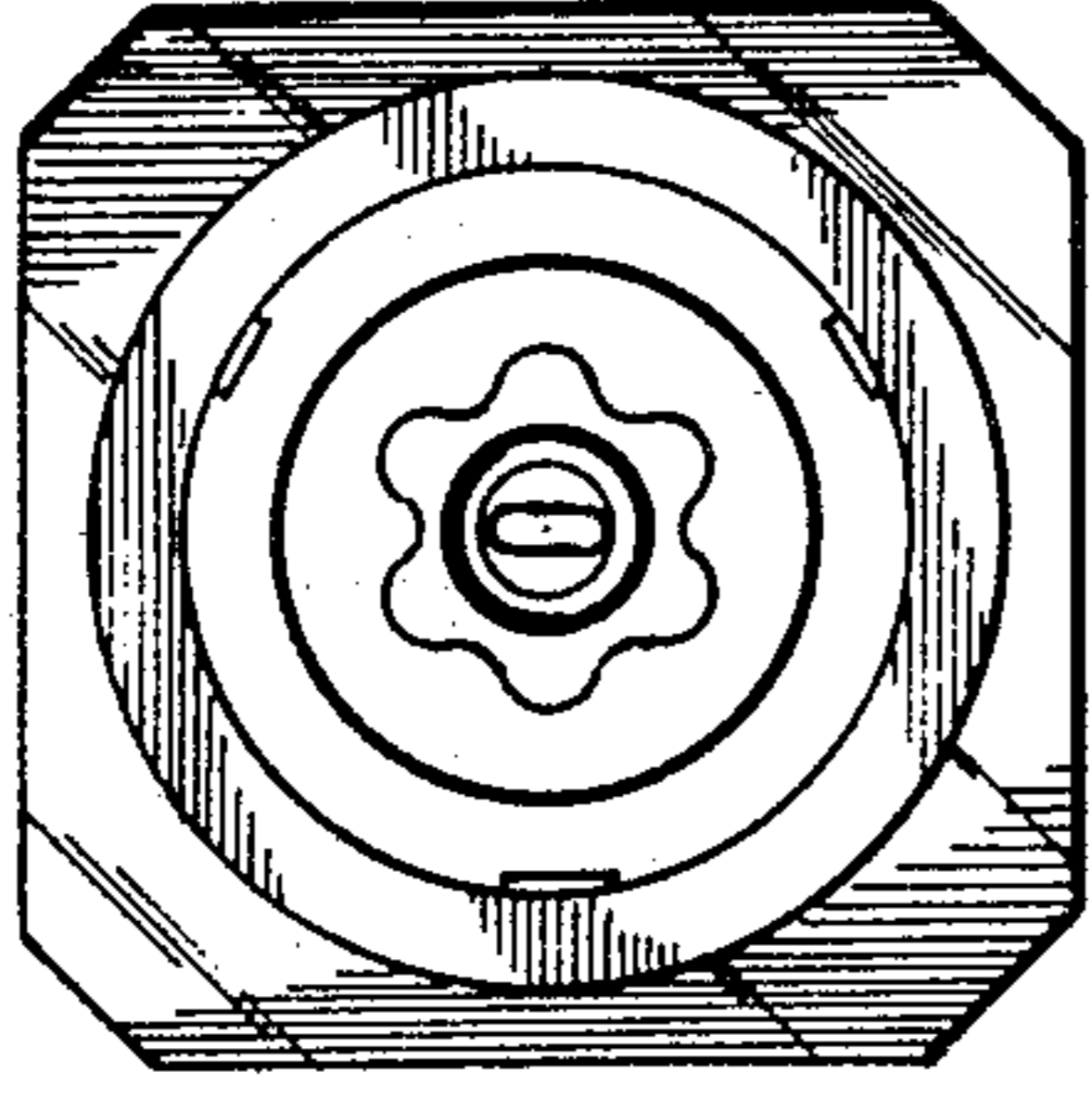


FIG. 3

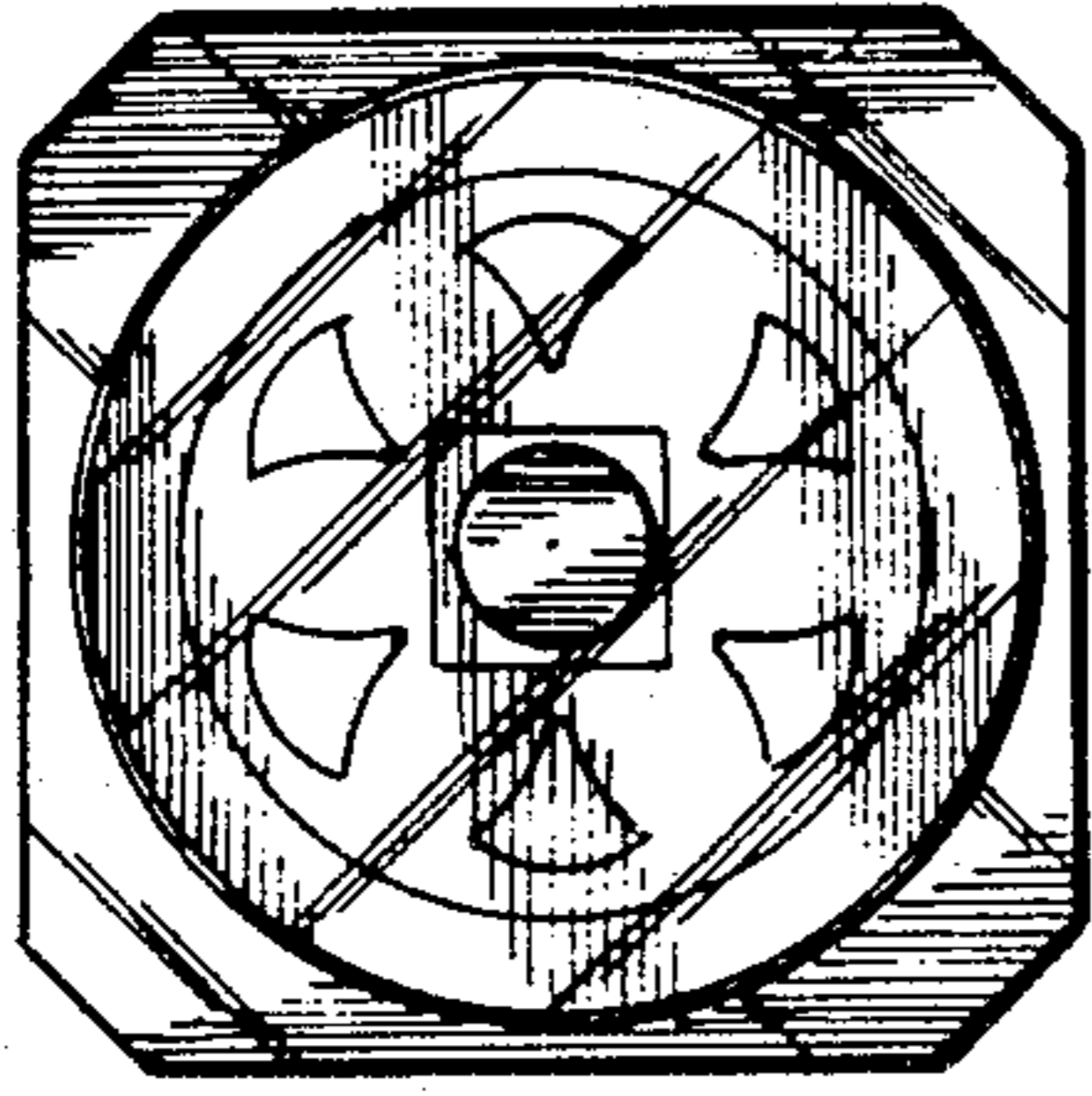


FIG. 2

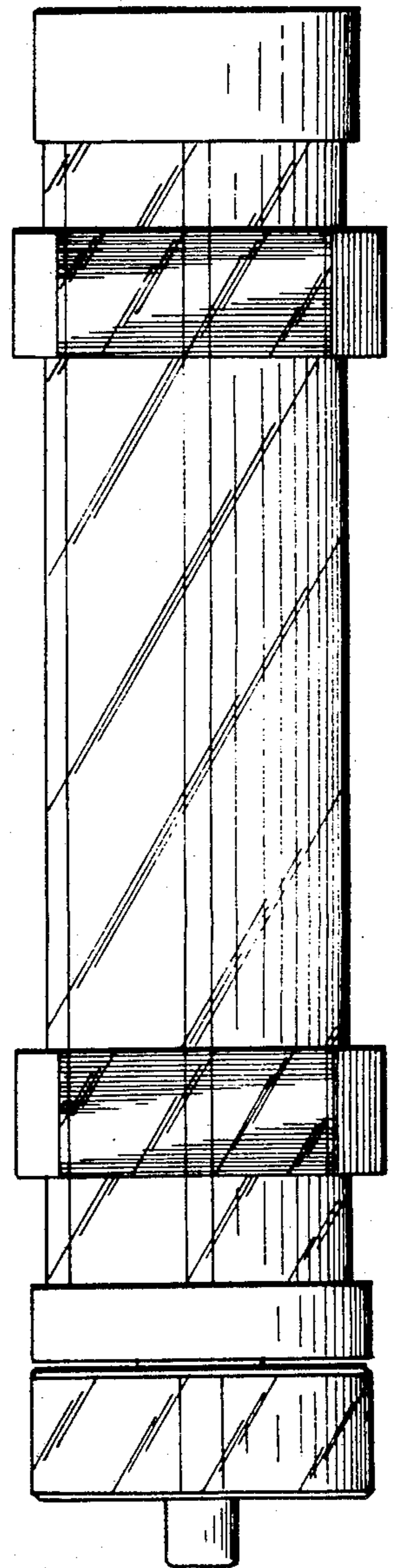


FIG. 1

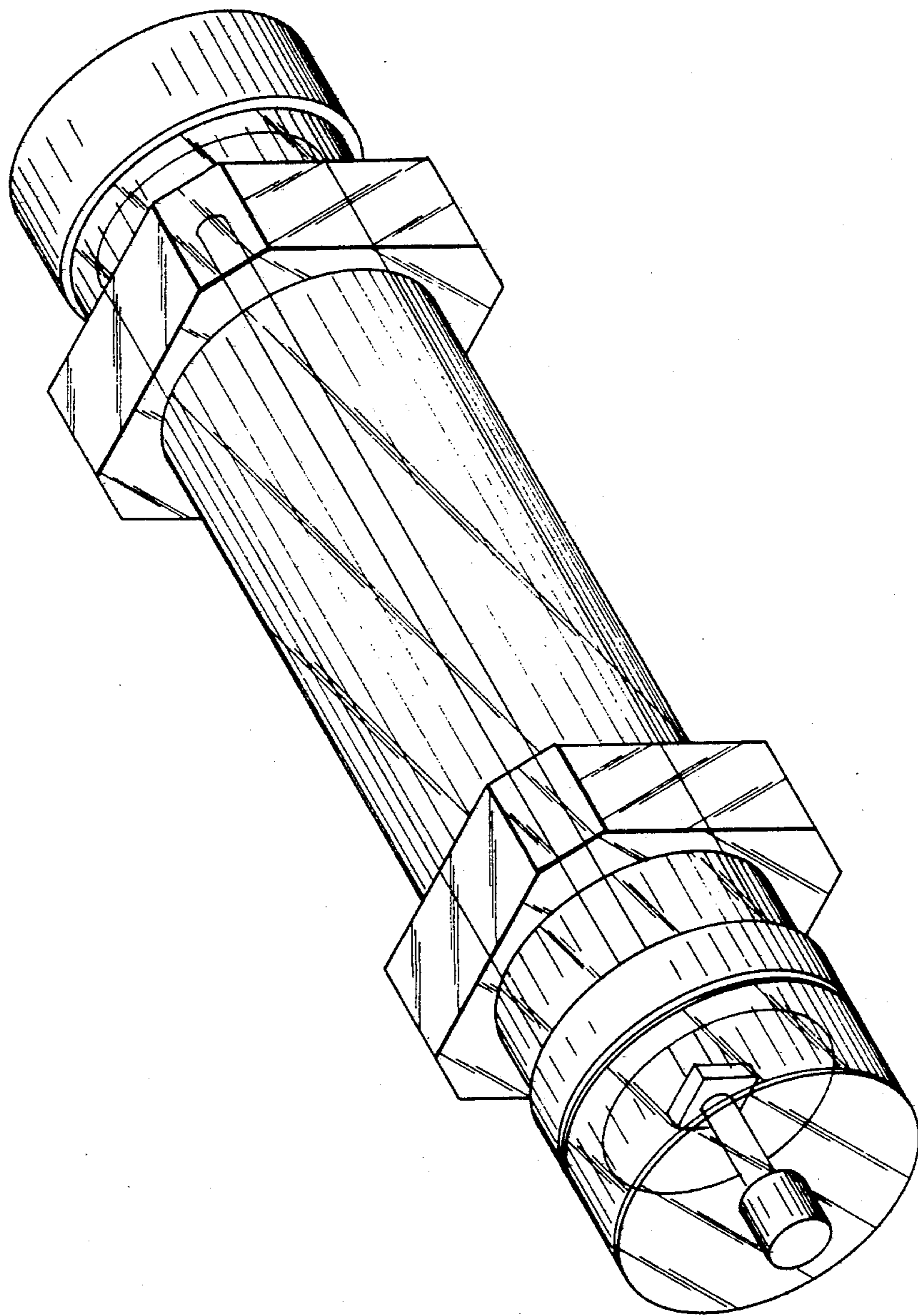


FIG. 4