

[54] ADJUSTABLE TABLE

[76] Inventor: David Finkelstein, 3420 W. 67th St., Los Angeles, Calif. 90043

[**] Term: 14 Years

[21] Appl. No.: 671,892

[22] Filed: Nov. 15, 1984

[52] U.S. Cl. D6/430; D6/429; D6/478

[58] Field of Search D6/429, 430, 431, 461, D6/474, 477, 480, 484, 486, 488, 478, 479

[56] References Cited

U.S. PATENT DOCUMENTS

- D. 254,825 4/1980 Crespi D6/474
- D. 275,154 8/1984 Stoiber D6/461 X
- D. 284,336 6/1986 Berry, Jr. D6/430
- D. 284,339 6/1986 Berry, Jr. D6/484 X

OTHER PUBLICATIONS

Carson's catalog, table section, Pivot Table No. 21225.

Carson's catalog, table section, Cocktail Table No. 80225.

DIA catalog, woods section, Drum Table No. 6023-12.

Primary Examiner—Bruce W. Dunkins

[57] CLAIM

The ornamental design for an adjustable table, as shown and described.

DESCRIPTION

FIG. 1 is a perspective view of an adjustable table showing my new design.

FIG. 2 is a side elevational view.

FIG. 3 is a rear elevational view.

FIG. 4 is a top plan view.

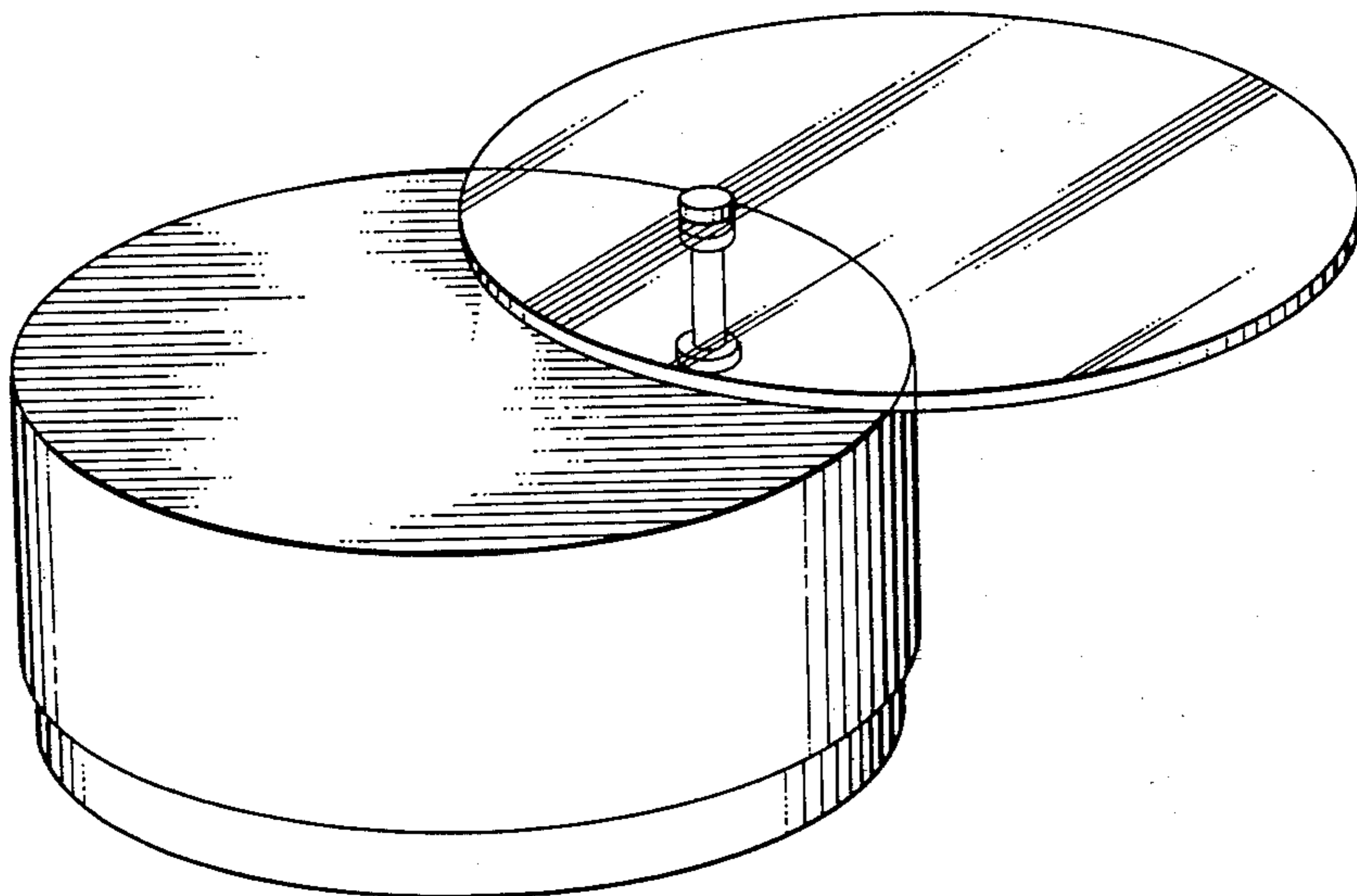
FIG. 5 is a bottom plan view.

FIG. 6 is a perspective view showing the top pivoted to an alternate position.

FIG. 7 is a perspective view of an adjustable table showing a second embodiment of my design.

FIG. 8 is a top plan view of an adjustable table showing a third embodiment of my design; and

FIG. 9 is a perspective view of the FIG. 8 embodiment wherein the adjustable top has been pivoted to an alternate position.



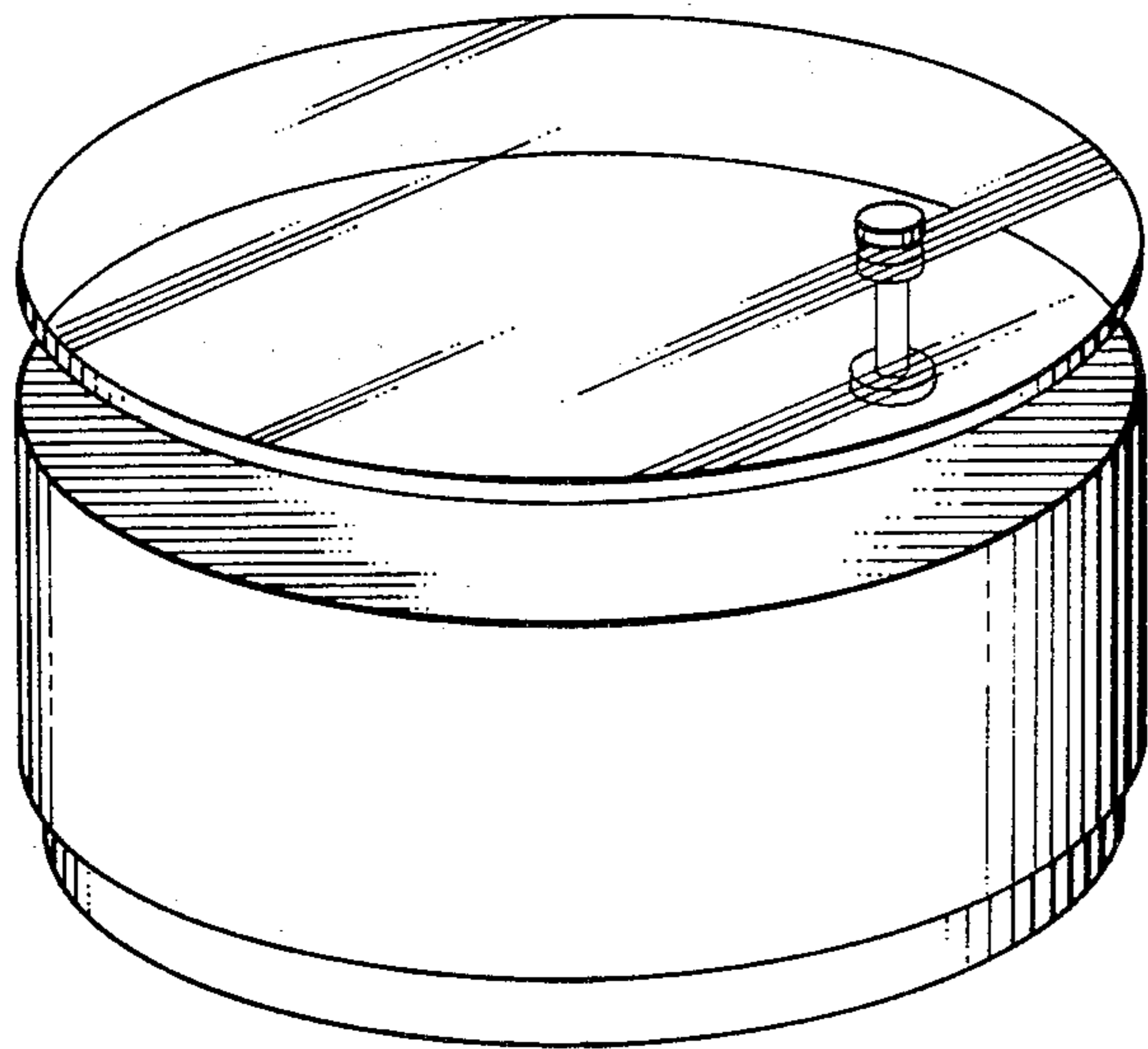


FIG. 1

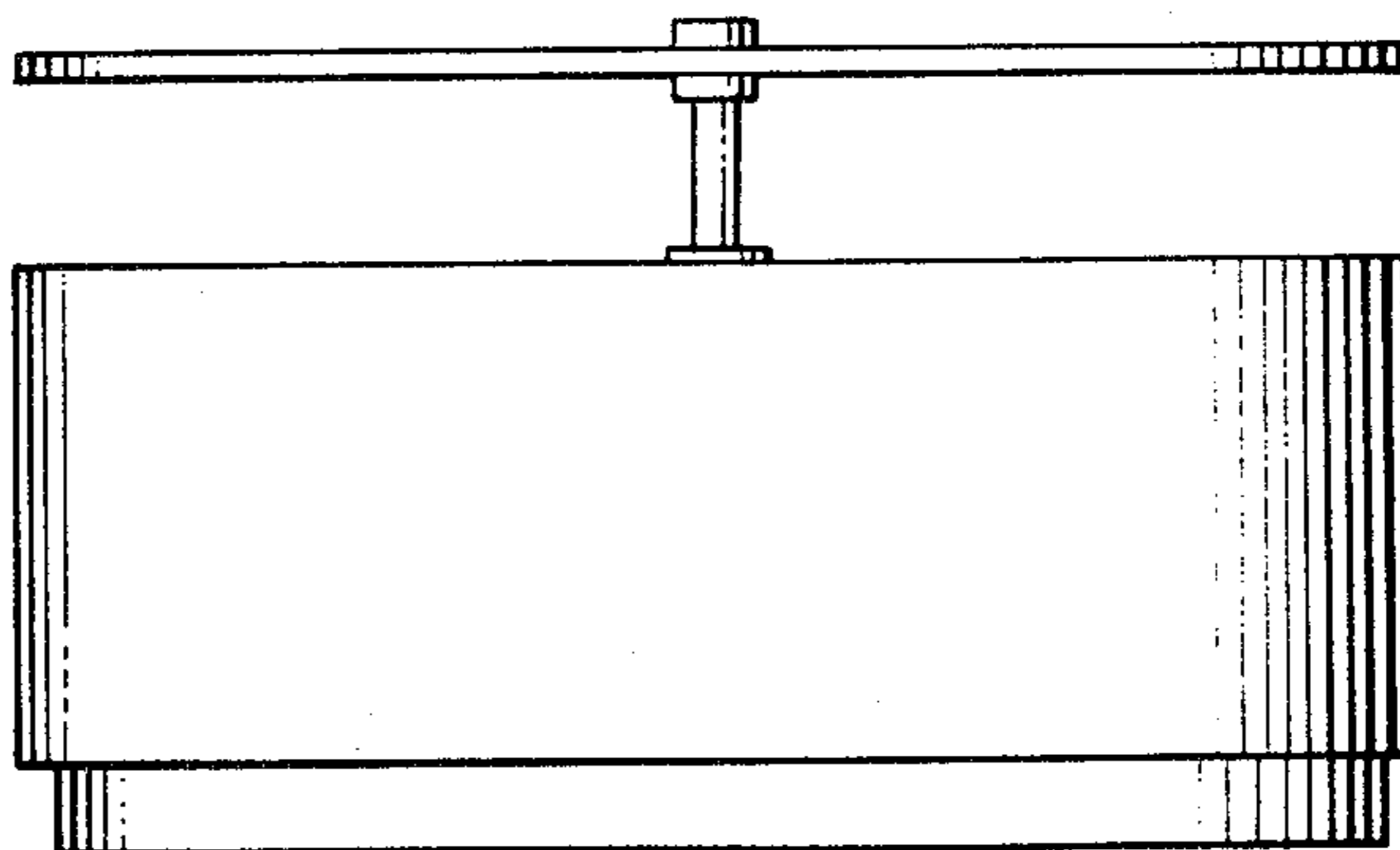


FIG. 2

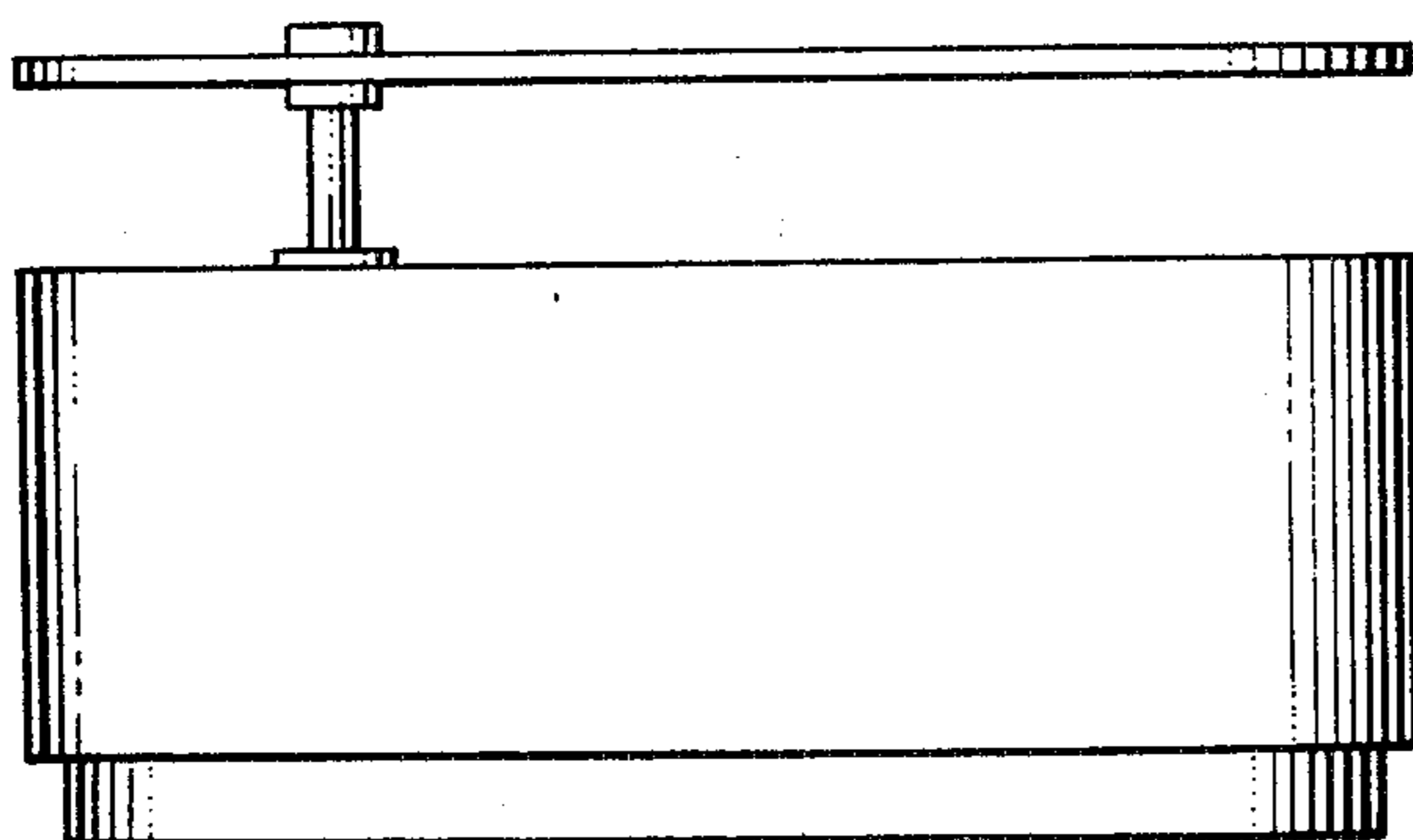


FIG. 3

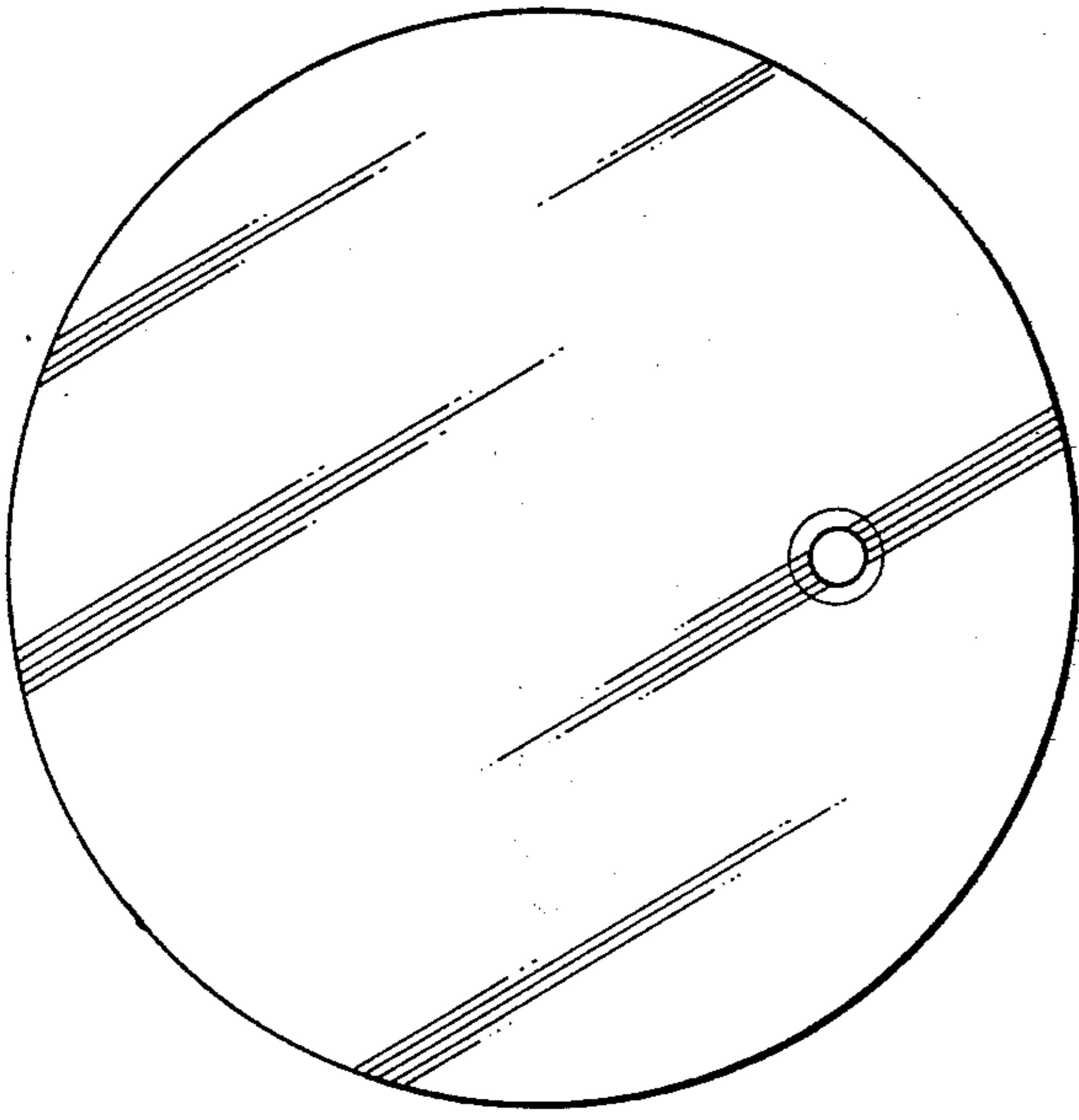


FIG. 4



FIG. 5

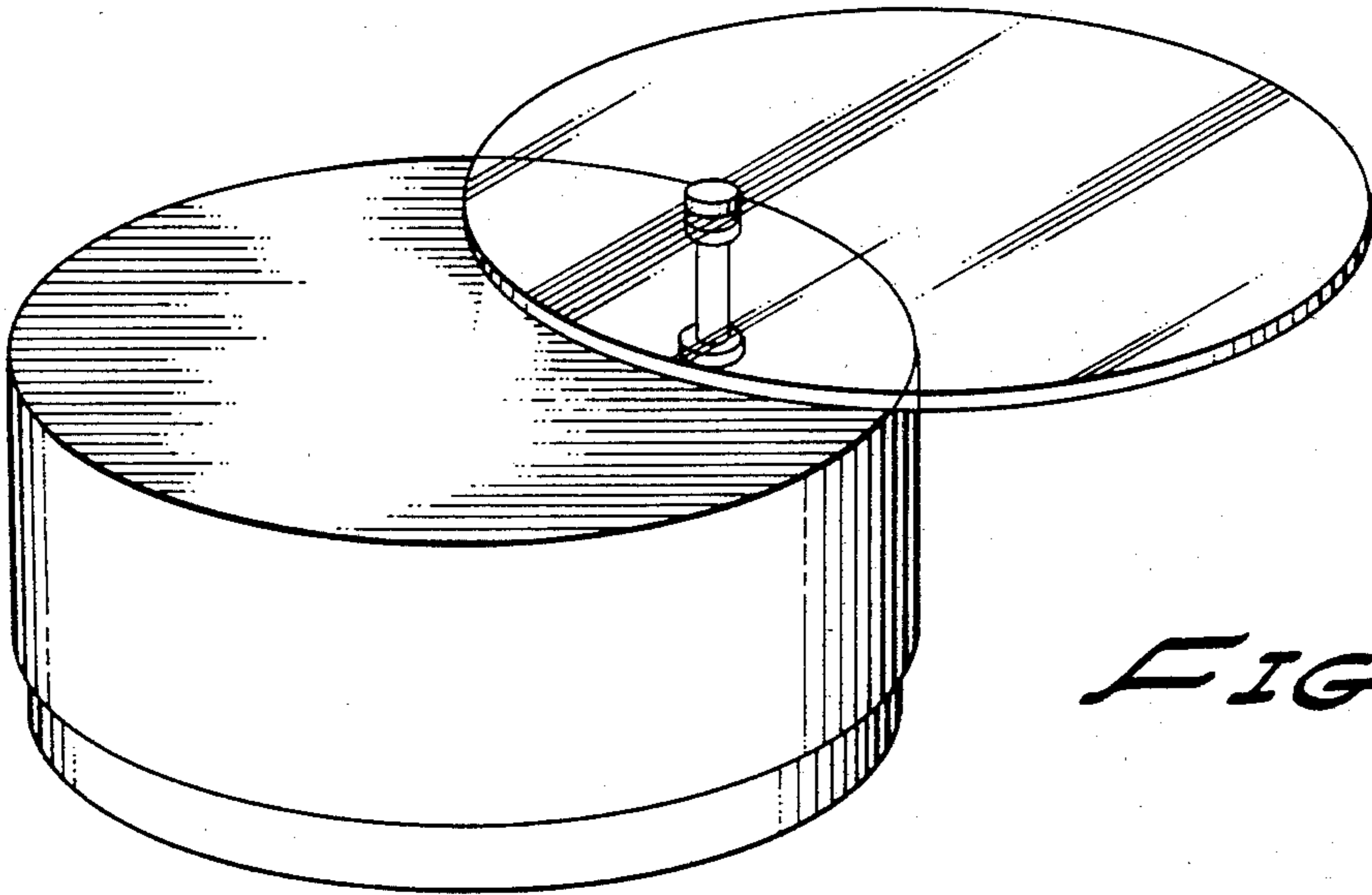


FIG. 6

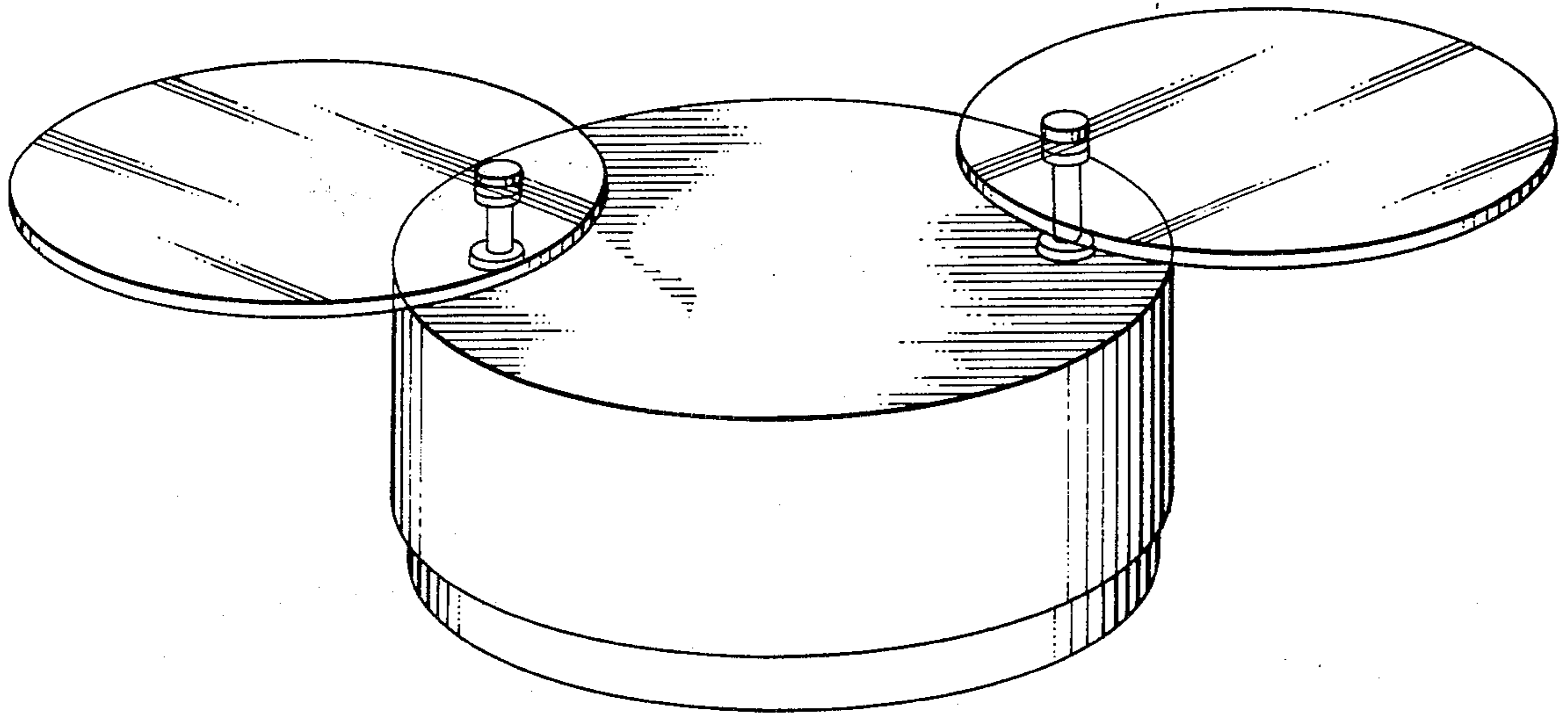


FIG. 7

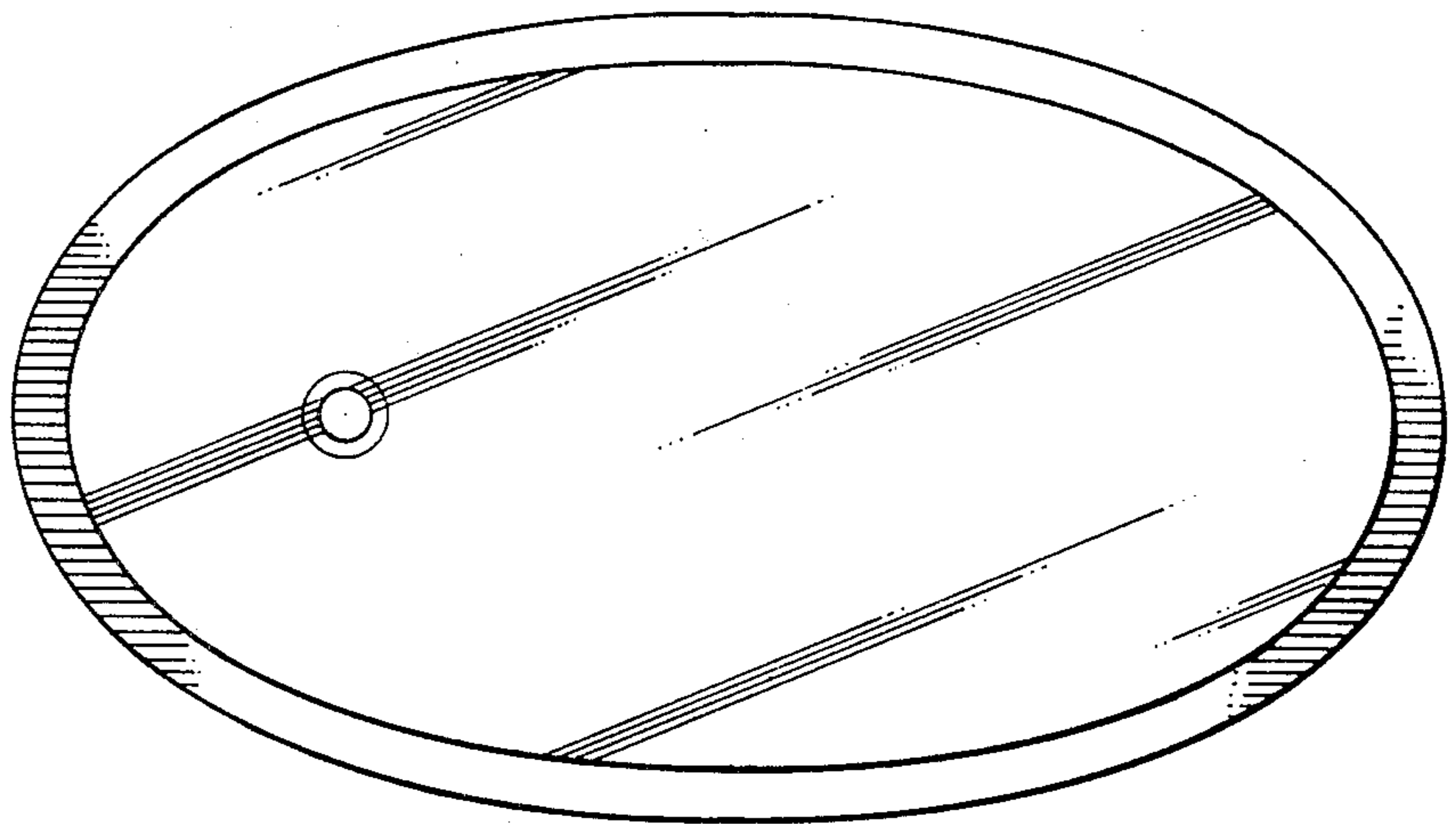


FIG. 8

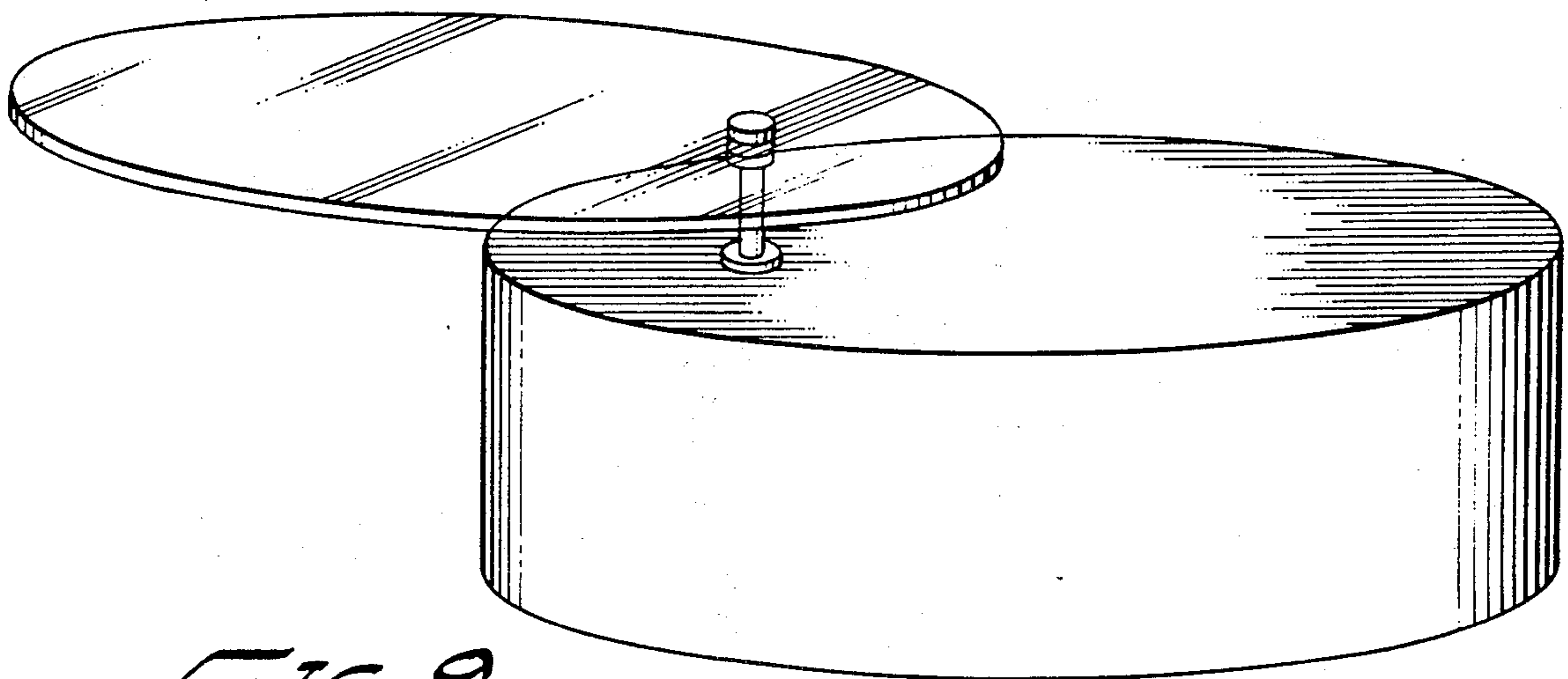


FIG. 9