

[54] BOOK SUPPORT

[76] Inventor: Bertil H. Stade, 5 Oakbrook Club Dr., Oakbrook, Ill. 60521

[**] Term: 14 Years

[21] Appl. No.: 739,673

[22] Filed: May 31, 1985

[52] U.S. Cl. D6/406; D6/419; D6/440; D19/91

[58] Field of Search D6/419, 406, 470, 420, D6/440, 407; D19/91; 281/42, 45

[56] References Cited

U.S. PATENT DOCUMENTS

D. 215,943	11/1969	Grainer	D6/406
D. 218,980	10/1970	Balkus	D6/406
D. 225,479	12/1972	Zottola	D6/407
D. 226,999	5/1973	Jessen	D6/419
D. 278,495	4/1985	Rattner	D6/440 X
4,538,861	9/1985	Hughes, Jr.	D6/419 X

4,577,788 3/1986 Richardson D6/419 X

Primary Examiner—Carmen H. Vales

[57] CLAIM

The ornamental design for a book support, as shown and described.

DESCRIPTION

FIG. 1 is a perspective view of a book support showing my new design; the showing of a book in broken lines is for illustrative purposes only and forms no part of the claimed design;

FIG. 2 is a top plan view thereof;

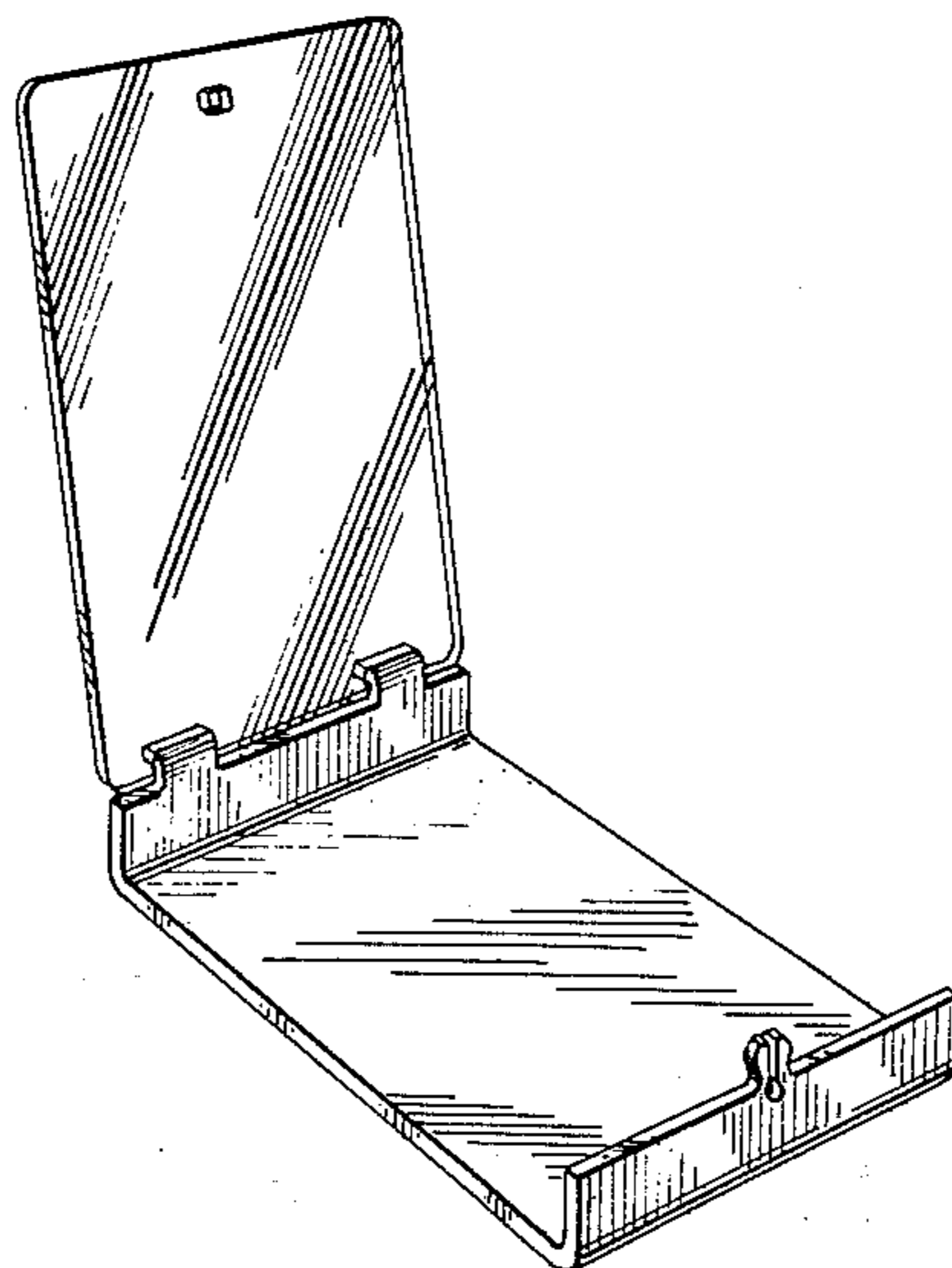
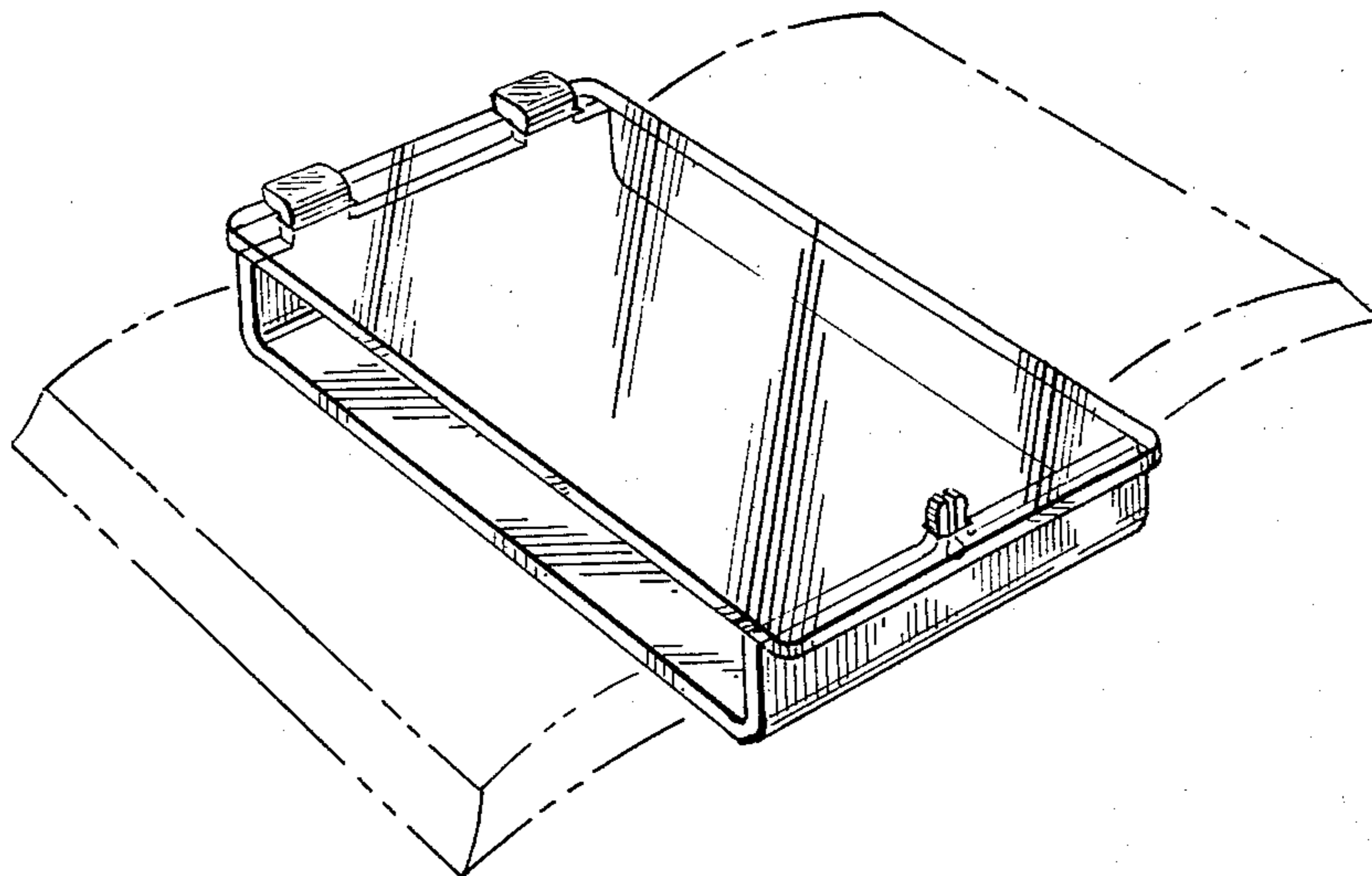
FIG. 3 is a front elevational view thereof;

FIG. 4 is a side elevational view, the opposite side being a mirror image thereof;

FIG. 5 is a rear elevational view thereof; and

FIG. 6 is a perspective view with the lid in open position.

The bottom of the book support is flat and unornamented.



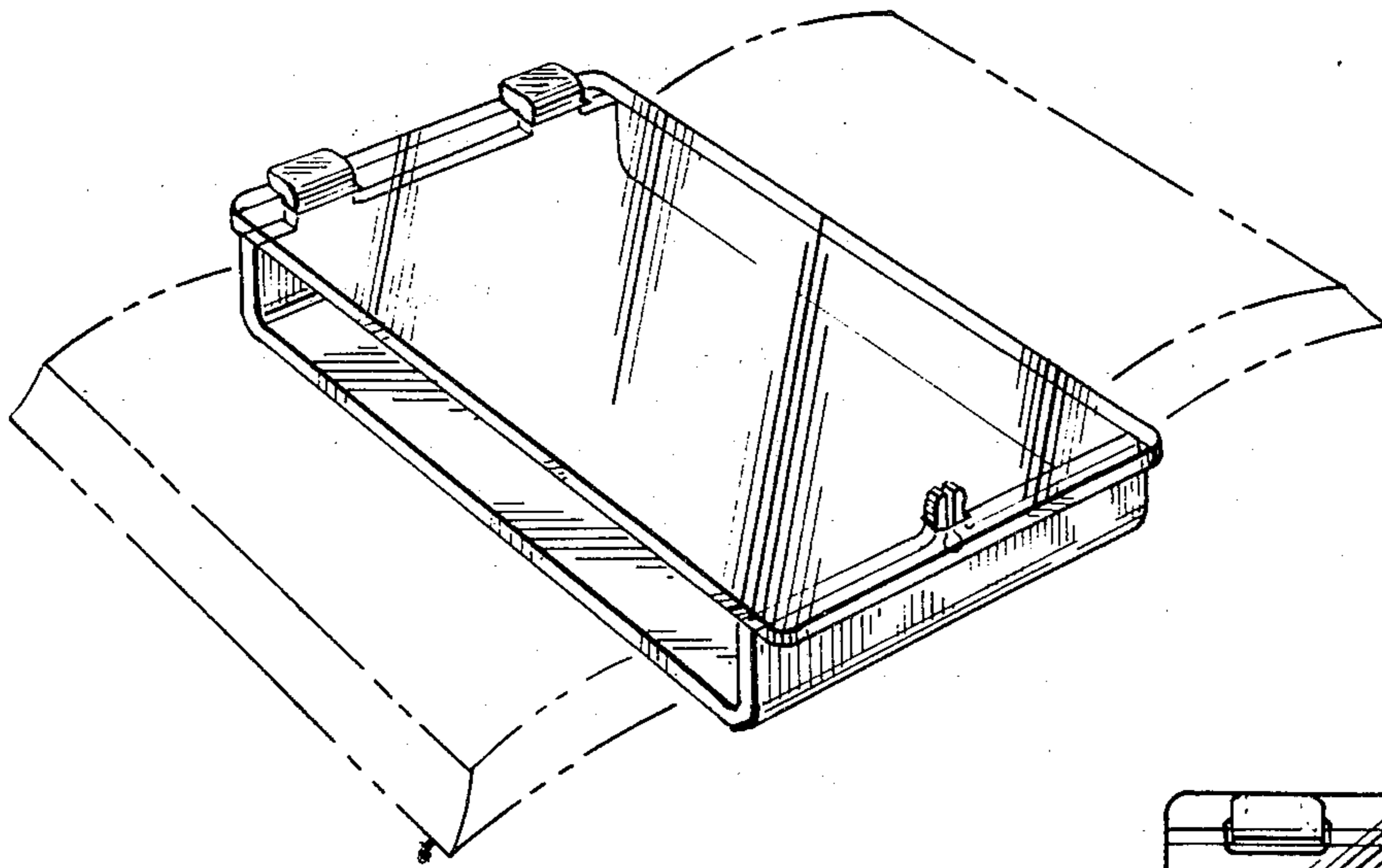


FIG. 1

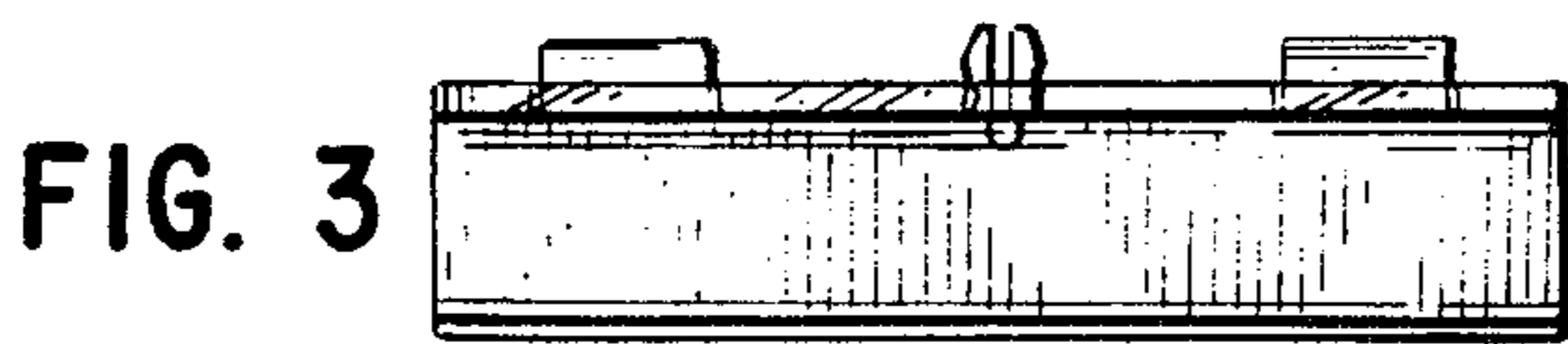


FIG. 3

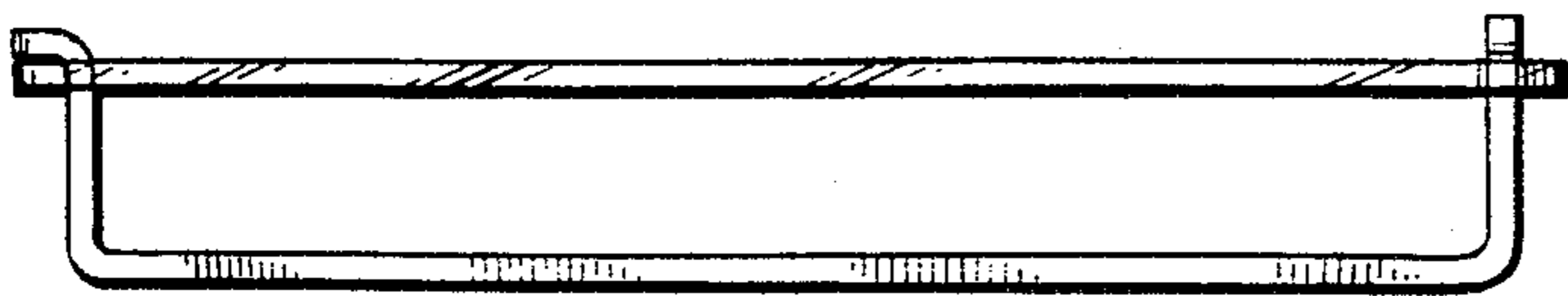


FIG. 4

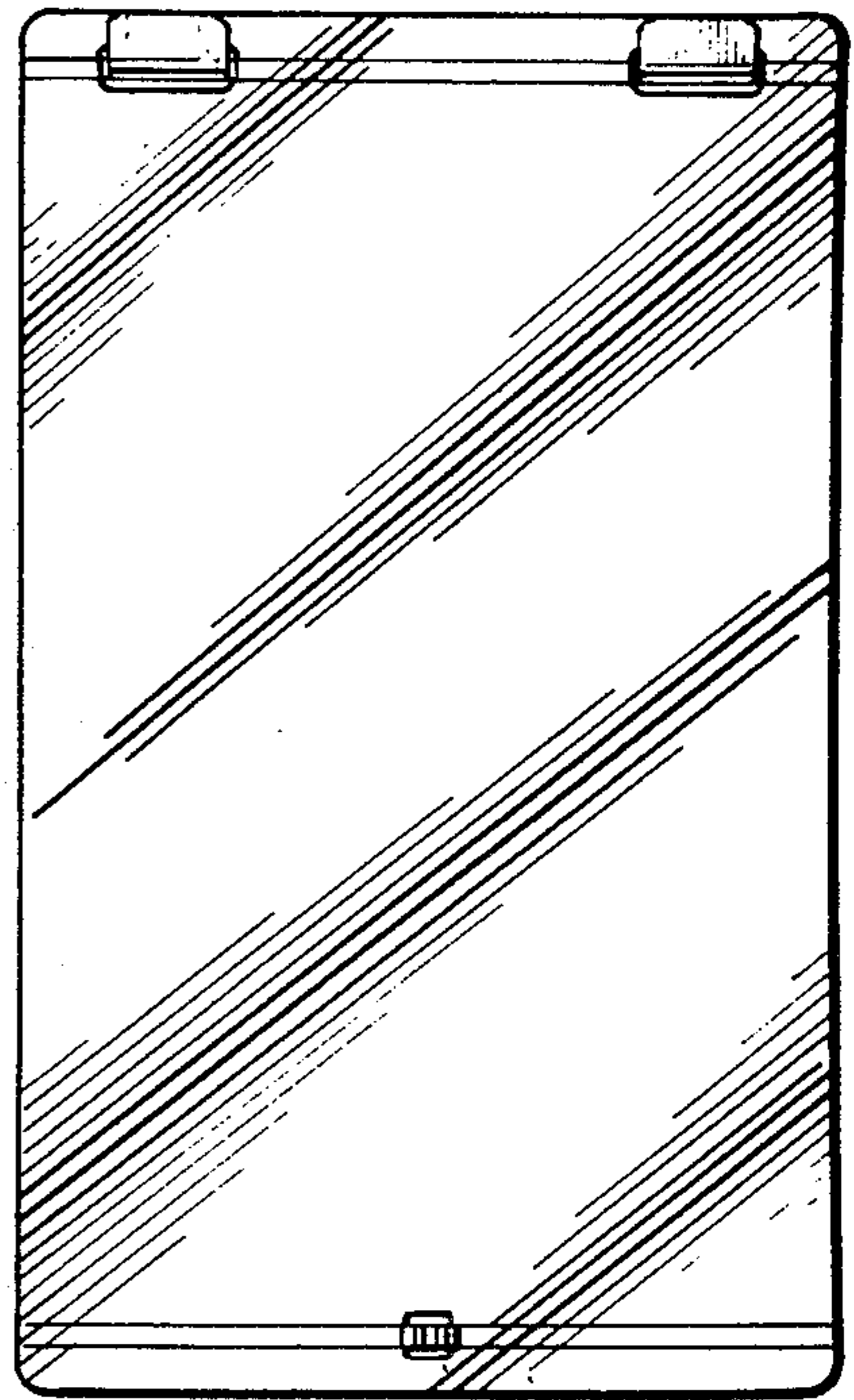


FIG. 2

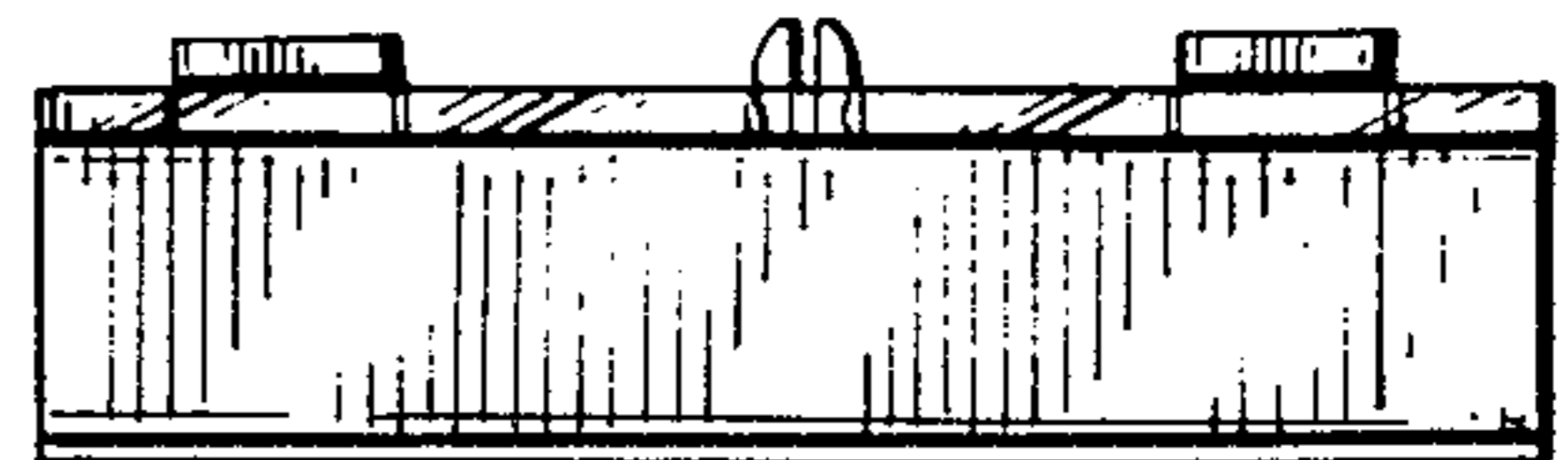


FIG. 5

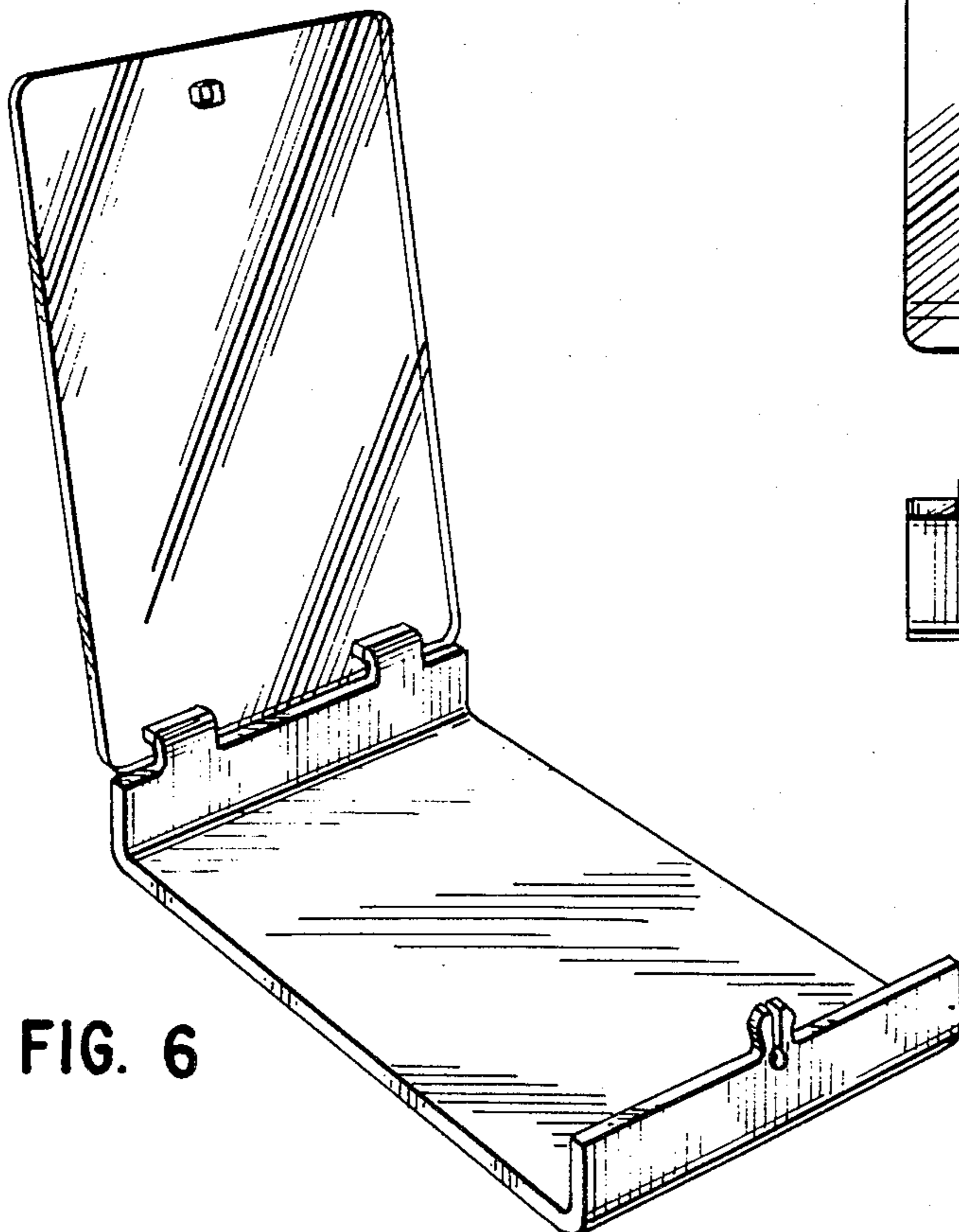


FIG. 6