

[54] PAINT BRUSH

[75] Inventors: Wink Roberts, 22844½ Pacific Coast Hwy., Malibu, Calif. 90265; Jay Shields, Santa Monica; Andrew Pryciak, Pacific Palisades, both of Calif.

[73] Assignee: Wink Roberts, Malibu, Calif.

[**] Term: 14 Years

[21] Appl. No.: 872,466

[22] Filed: Jun. 9, 1986

[52] U.S. Cl. D4/129; D4/132

[58] Field of Search D4/129, 130-135, D4/138; 15/159 R, 160, 143 R

[56] References Cited

U.S. PATENT DOCUMENTS

D. 199,520 11/1964 Jones D4/129

D. 212,668 11/1968 Miller D4/132
D. 255,845 7/1980 Wood D4/132
2,914,785 12/1959 Ela 15/143 R
4,495,669 1/1985 Hooper 15/143 R

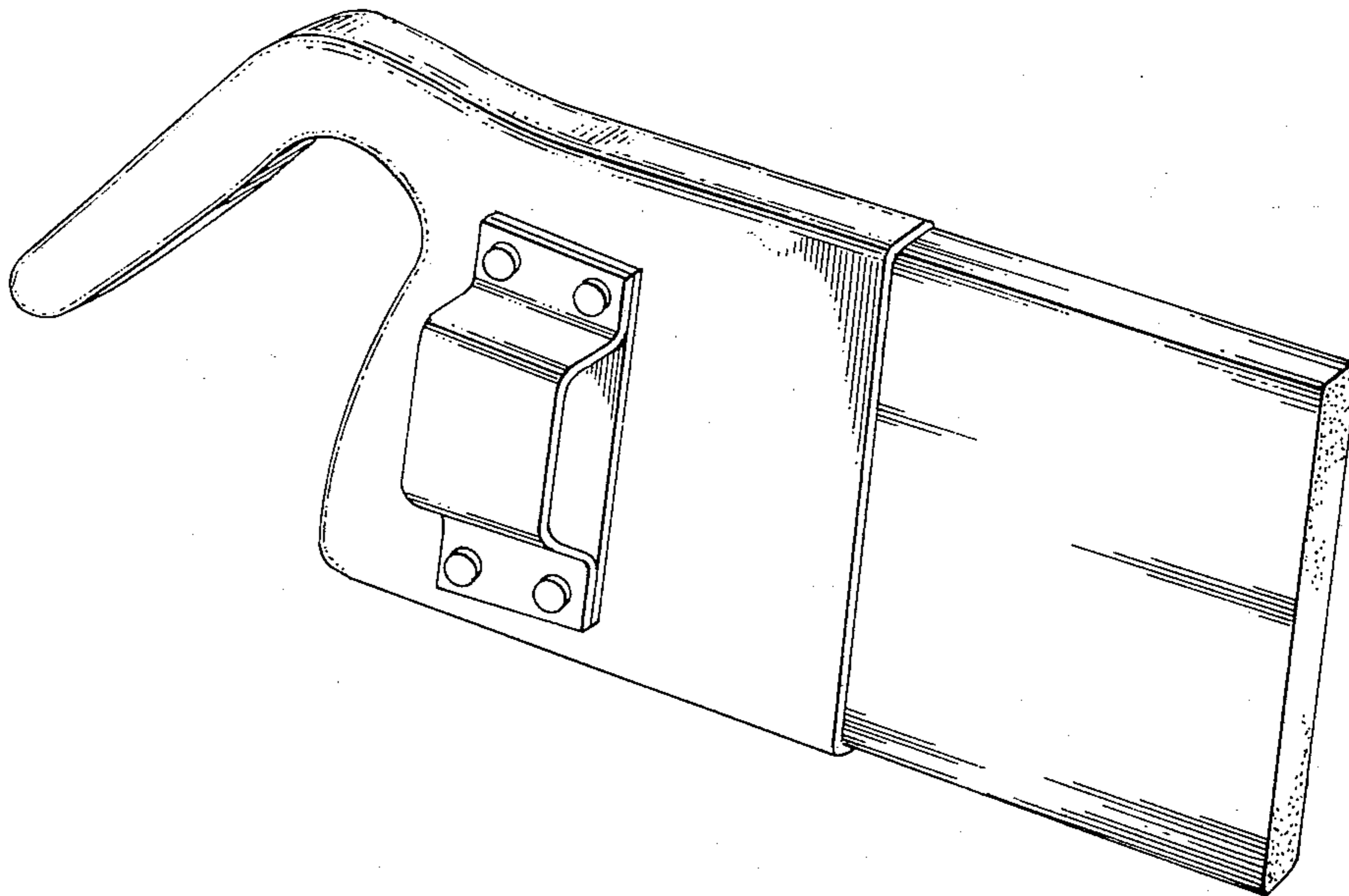
Primary Examiner—Catherine E. Kemper
Attorney, Agent, or Firm—Blakely Sokoloff Taylor & Zafman

[57] CLAIM

The ornamental design for a paint brush, substantially as shown.

DESCRIPTION

FIG. 1 is a perspective view of a paint brush, showing our new design;
FIG. 2 is a top plan view thereof;
FIG. 3 is a right side elevational view thereof;
FIG. 4 is a rear end elevational view thereof;
FIG. 5 is a front end elevational view thereof;
FIG. 6 is a left side elevational view thereof;
FIG. 7 is a bottom plan view thereof.



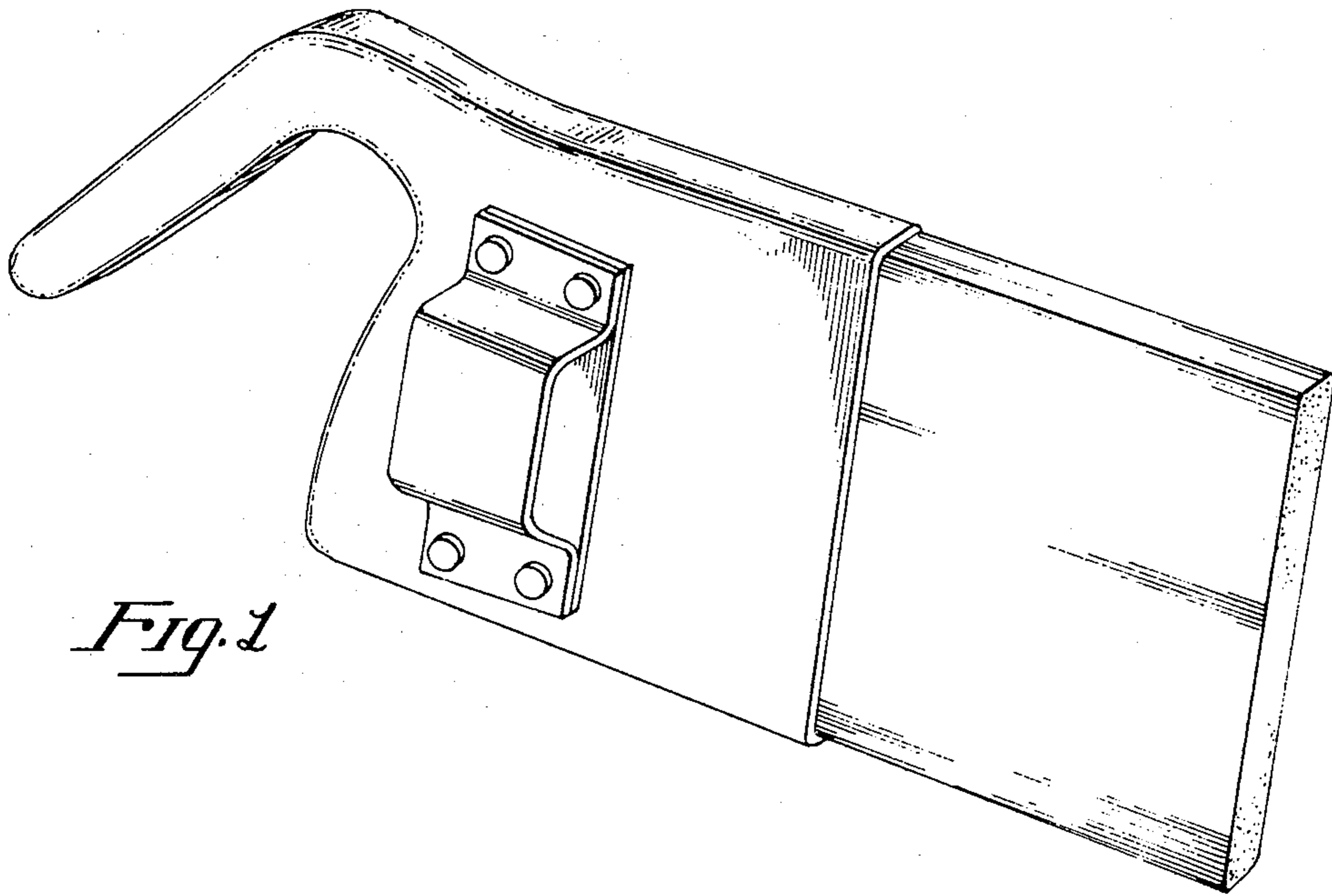


Fig. 1

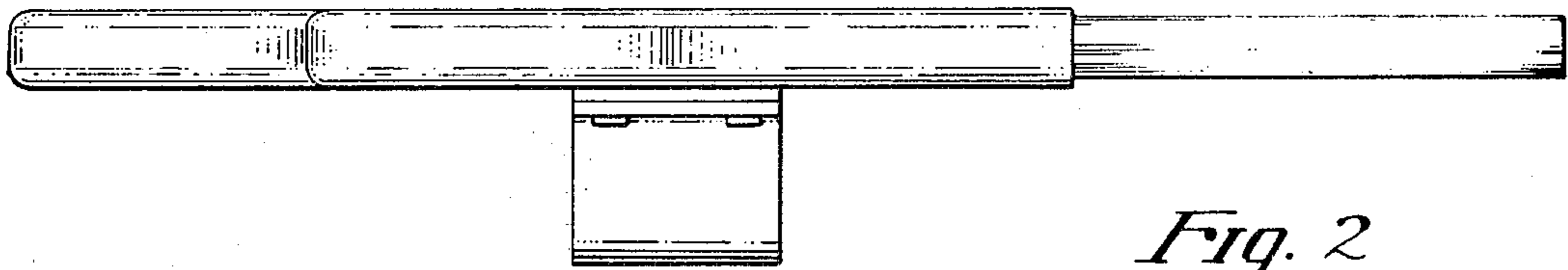


Fig. 2

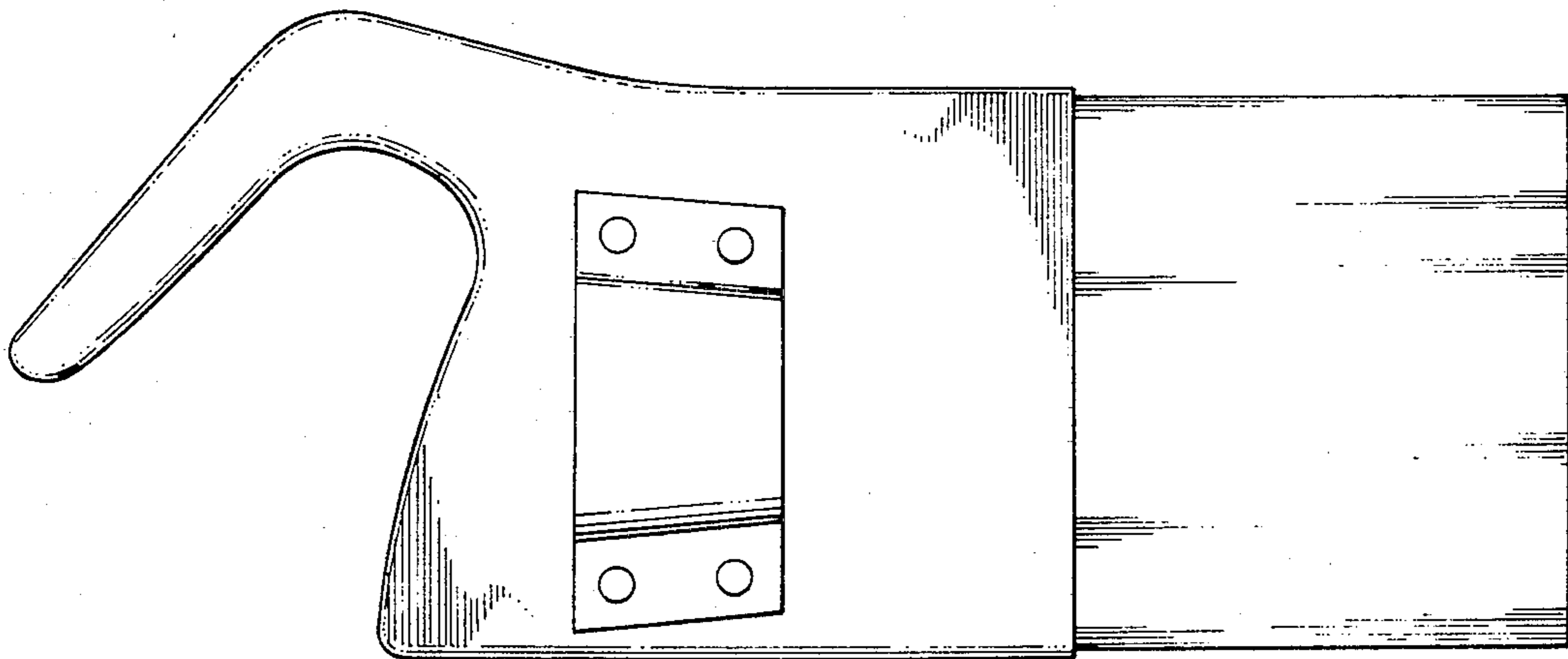


Fig. 3

