

[54] COMBINED BEER LIGHT AND KEY HOLDER

[76] Inventor: John W. O'Grady, 157 Hubbard St., Concord, Mass. 01742

[\*\*] Term: 14 Years

[21] Appl. No.: 630,419

[22] Filed: Jul. 13, 1984

[52] U.S. Cl. .... D3/63; D26/38

[58] Field of Search ..... D3/61-65; 70/456 R-460; D26/38, 37; D19/44

[56] References Cited

U.S. PATENT DOCUMENTS

- D. 111,535 9/1938 Florman ..... D3/63
- D. 146,257 1/1947 Erickson ..... D3/63
- D. 156,228 11/1949 Gaudroit ..... D3/62
- D. 179,114 11/1956 Brody ..... D3/63

- D. 180,425 6/1957 Schwartz ..... D3/63
- 2,588,559 3/1952 Needham ..... D26/38
- 2,607,883 8/1952 Berkowitz ..... D26/38

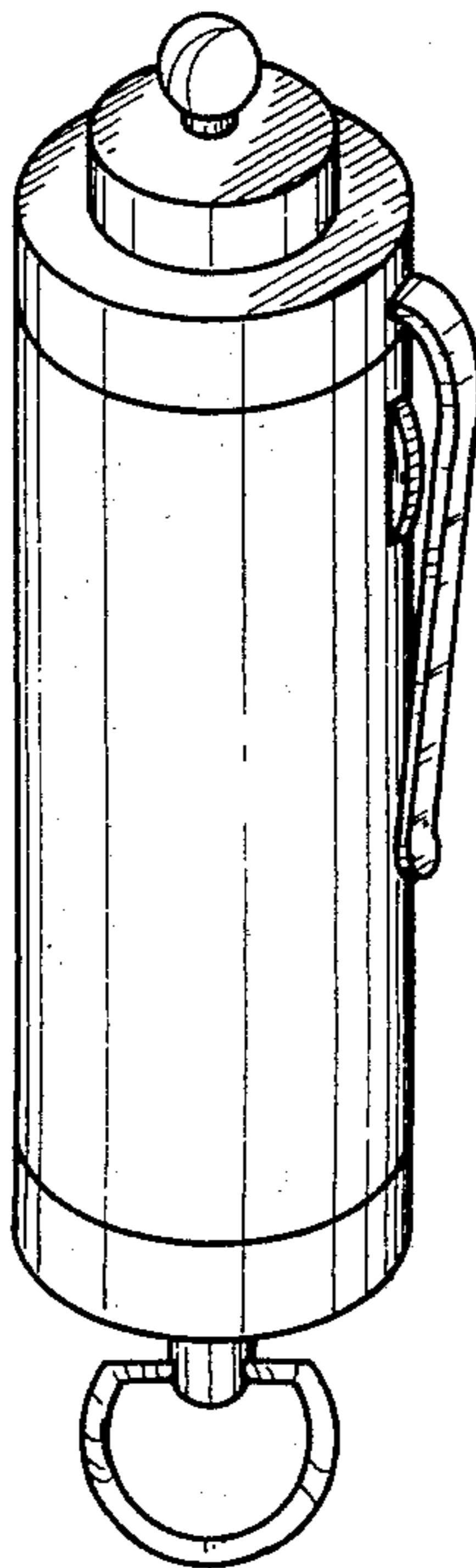
Primary Examiner—George P. Word  
Attorney, Agent, or Firm—Don E. Ferrell

[57] CLAIM

The ornamental design for a combined beer light and key holder, as shown and described.

DESCRIPTION

FIG. 1 is a perspective view of a combined beer light and key holder showing my new design; FIG. 2 is a top plan view thereof; FIG. 3 is a bottom plan view thereof; and FIG. 4 is a side elevational view, the opposite side being substantially a mirror image thereof. The environmental matter shown in dotted lines are for illustrative purposes only and not a part of the design claimed.



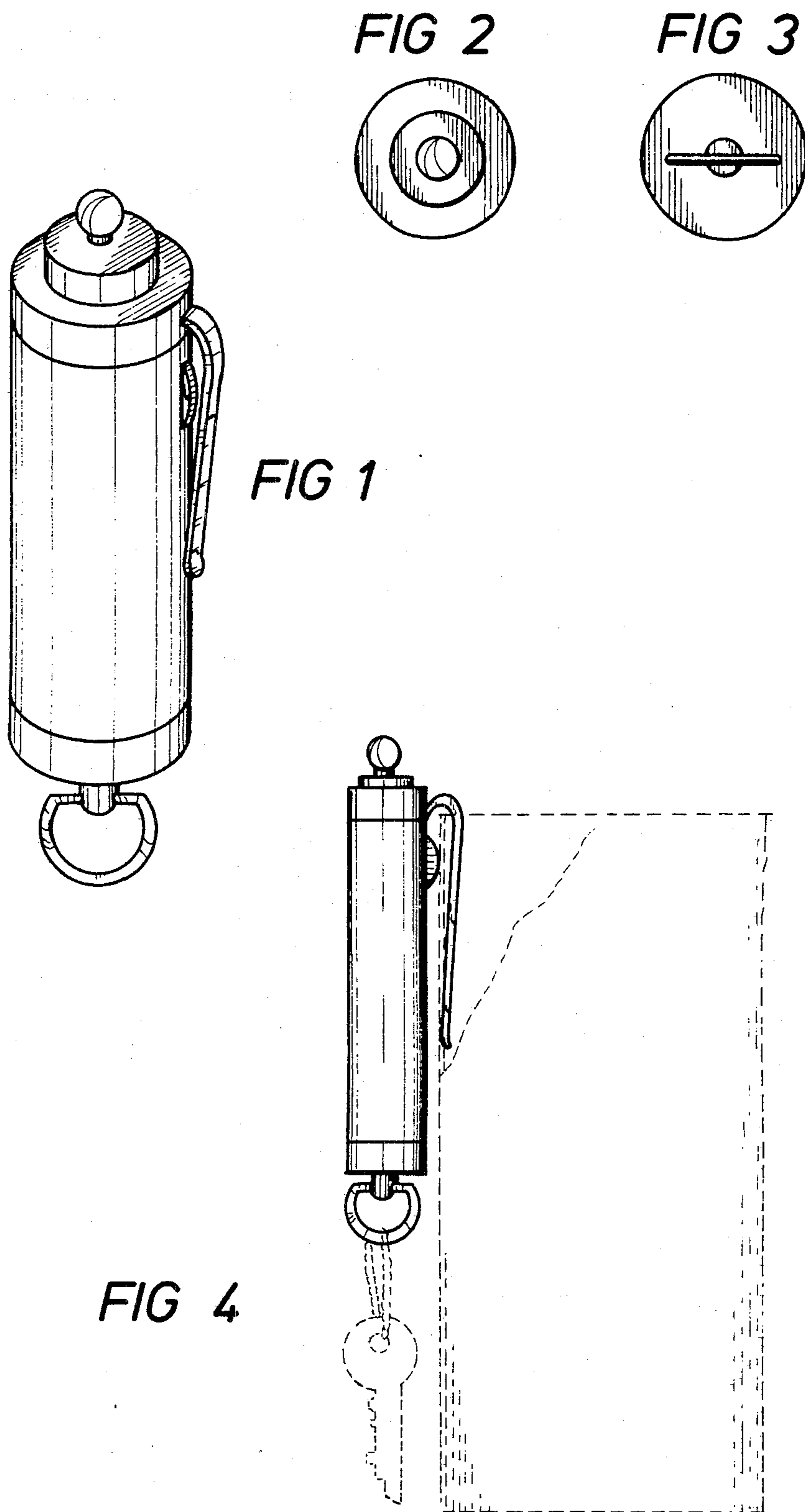


FIG 2

FIG 3

FIG 1

FIG 4