

[54] TRACK LIGHT FIXTURE

[76] Inventor: Scott Roos, 9052 N. Laramie, Skokie, Ill. 60077

[**] Term: 14 Years

[21] Appl. No.: 583,993

[22] Filed: Feb. 27, 1984

[52] U.S. Cl. D26/65

[58] Field of Search D26/24, 60-66; 362/269, 275, 277, 285, 297, 311, 362, 404, 408, 418, 427

[56] References Cited
PUBLICATIONS

Alta Lite ® "Structura ® Lighting catalog, 1982, p. 14, Spotlight (top, right).

Architectural Record, 10-1983, p. 151, Spotlight (bottom, right).

Form, #85, 1-1979, p. 55, Spotlight.

Primary Examiner—Susan J. Lucas

[57] CLAIM

The ornamental design for a track light fixture, as shown.

DESCRIPTION

FIG. 1 is a bottom perspective view of the track light fixture shown in my new design;

FIG. 2 is a top perspective view thereof;

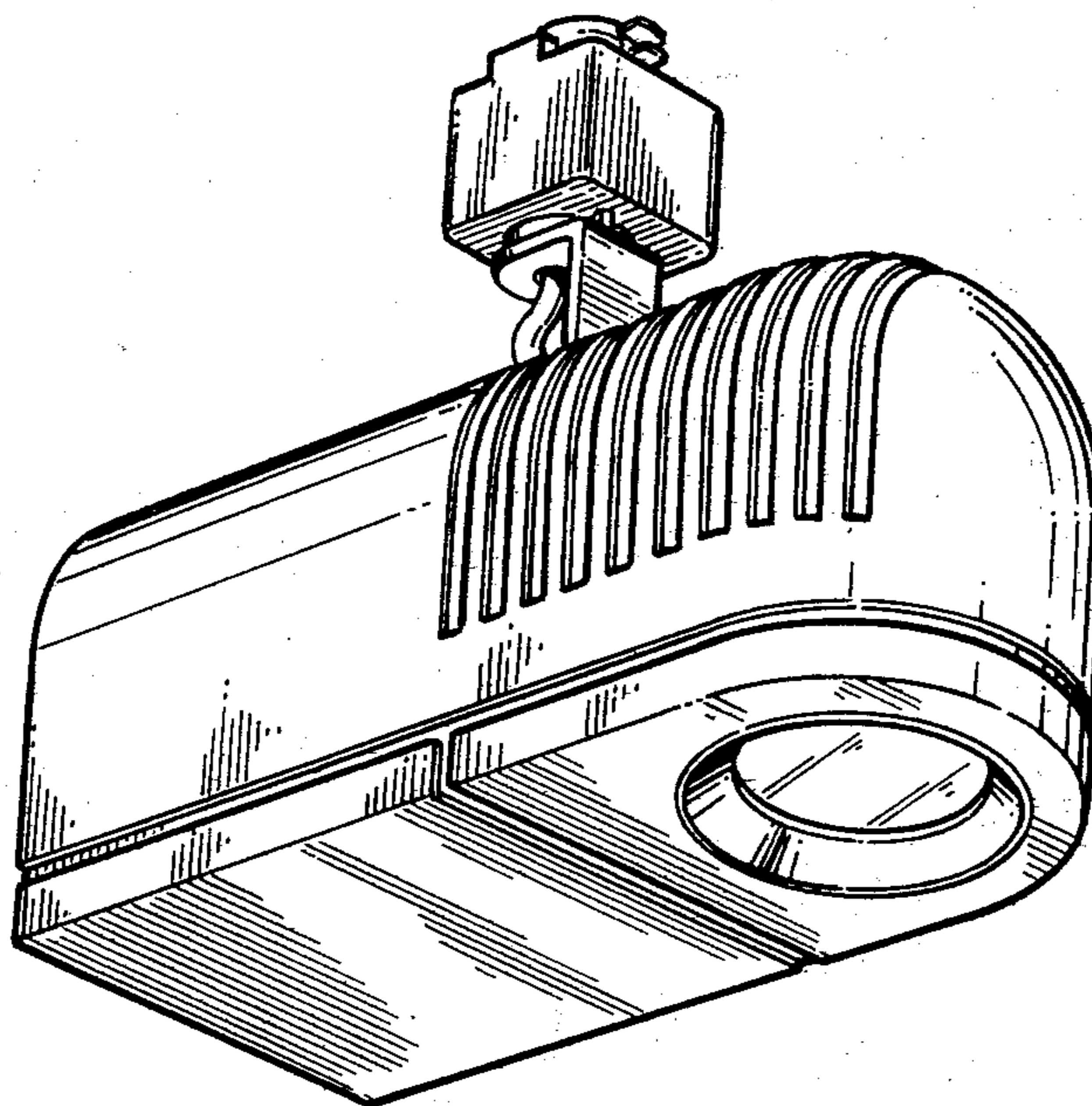
FIG. 3 is an end elevational view thereof as seen from the right of FIG. 1;

FIG. 4 is a side elevational view thereof;

FIG. 5 is a top plan view thereof;

FIG. 6 is a bottom view thereof;

FIG. 7 is an end elevational view as seen from the left of FIG. 1.



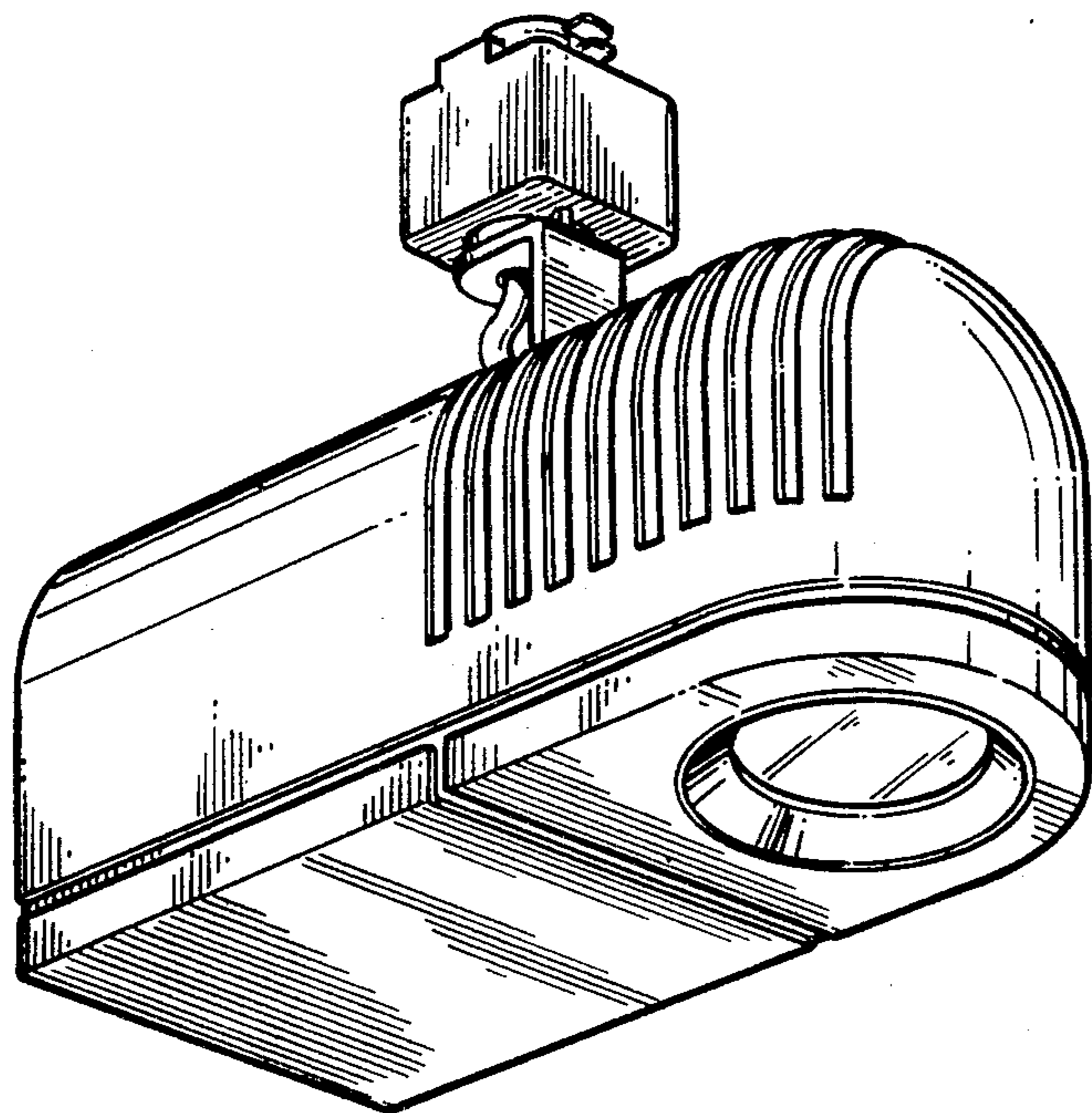


Fig. 1

Fig. 3

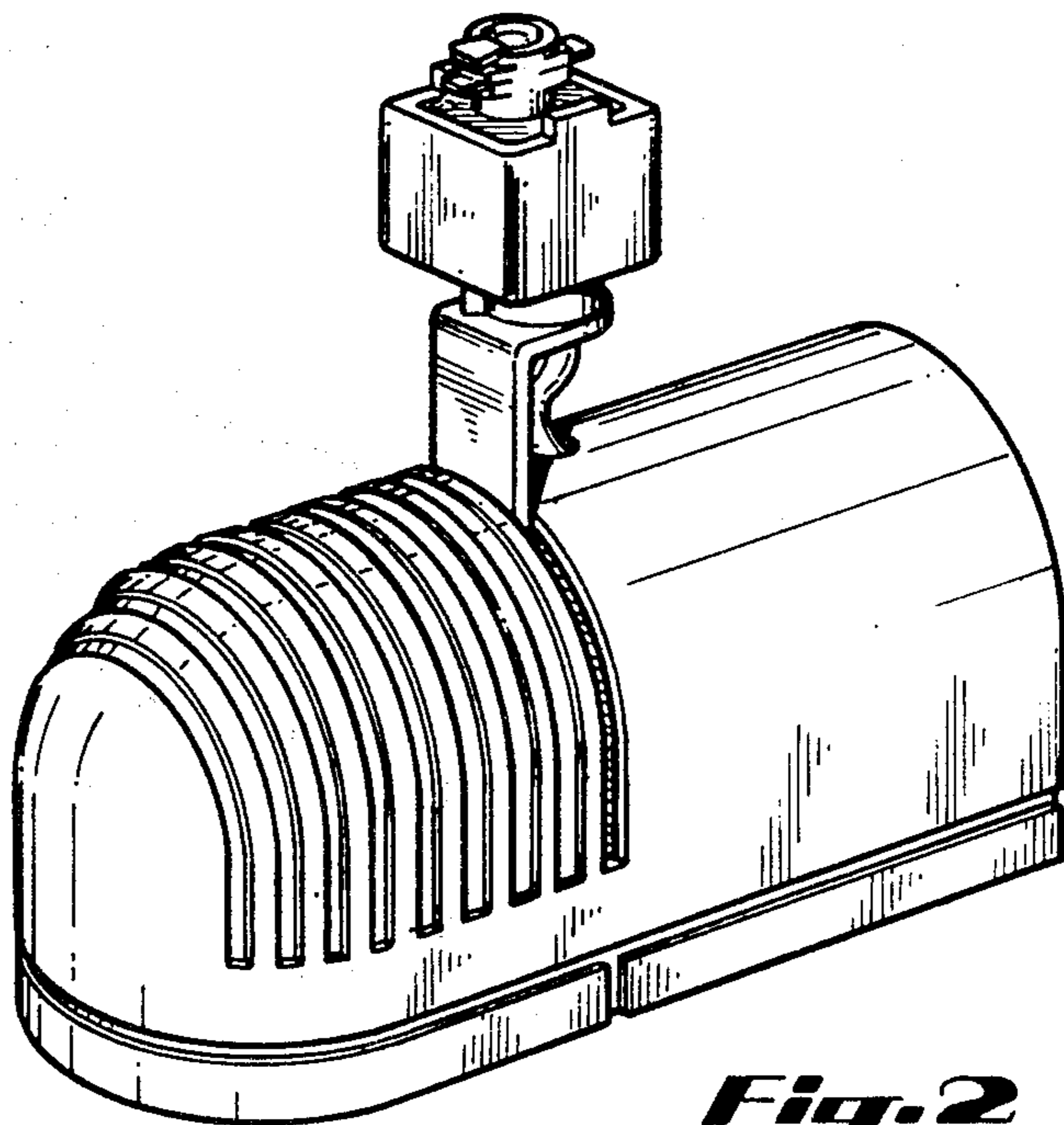
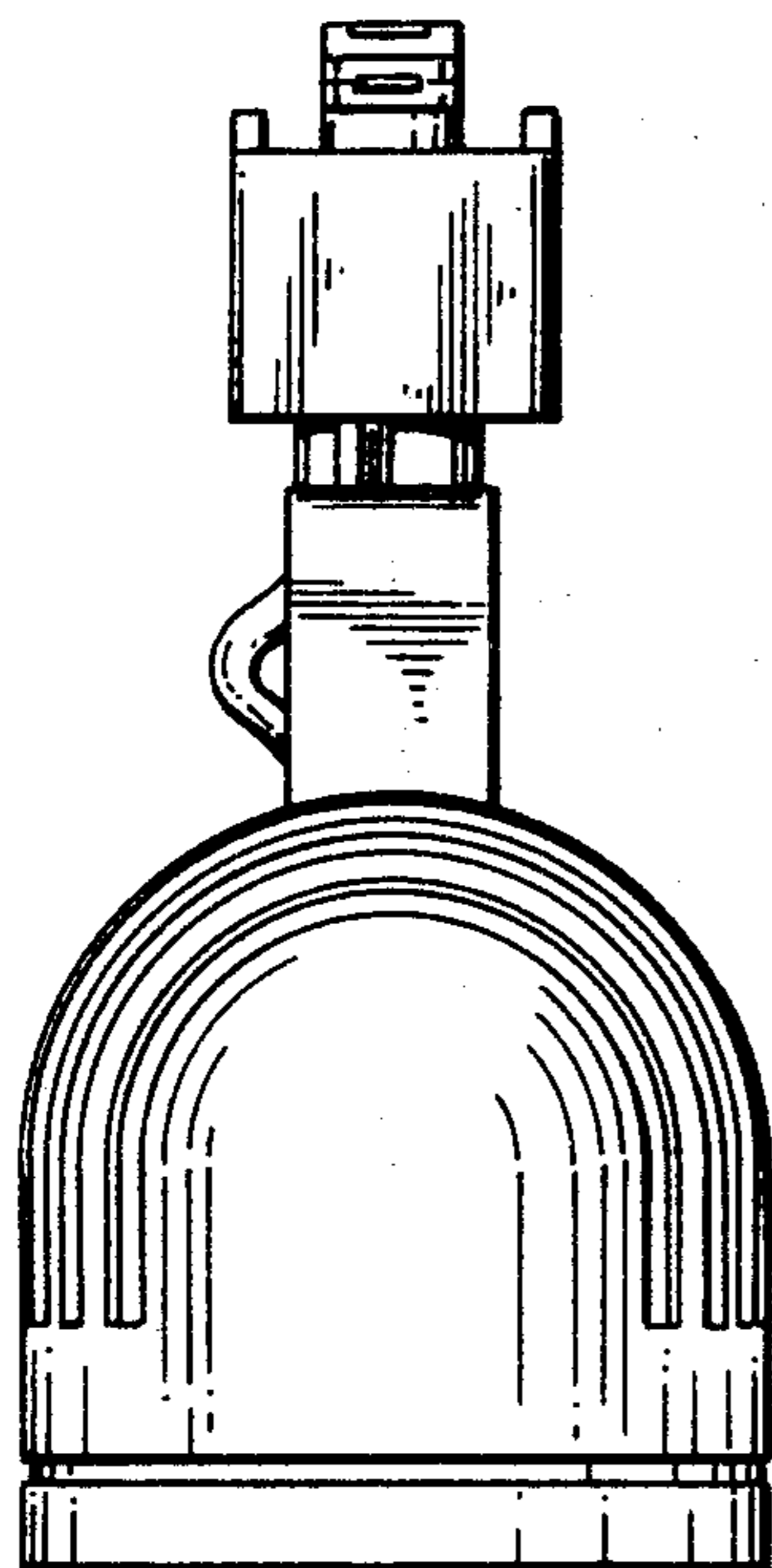


Fig. 2

Fig. 4

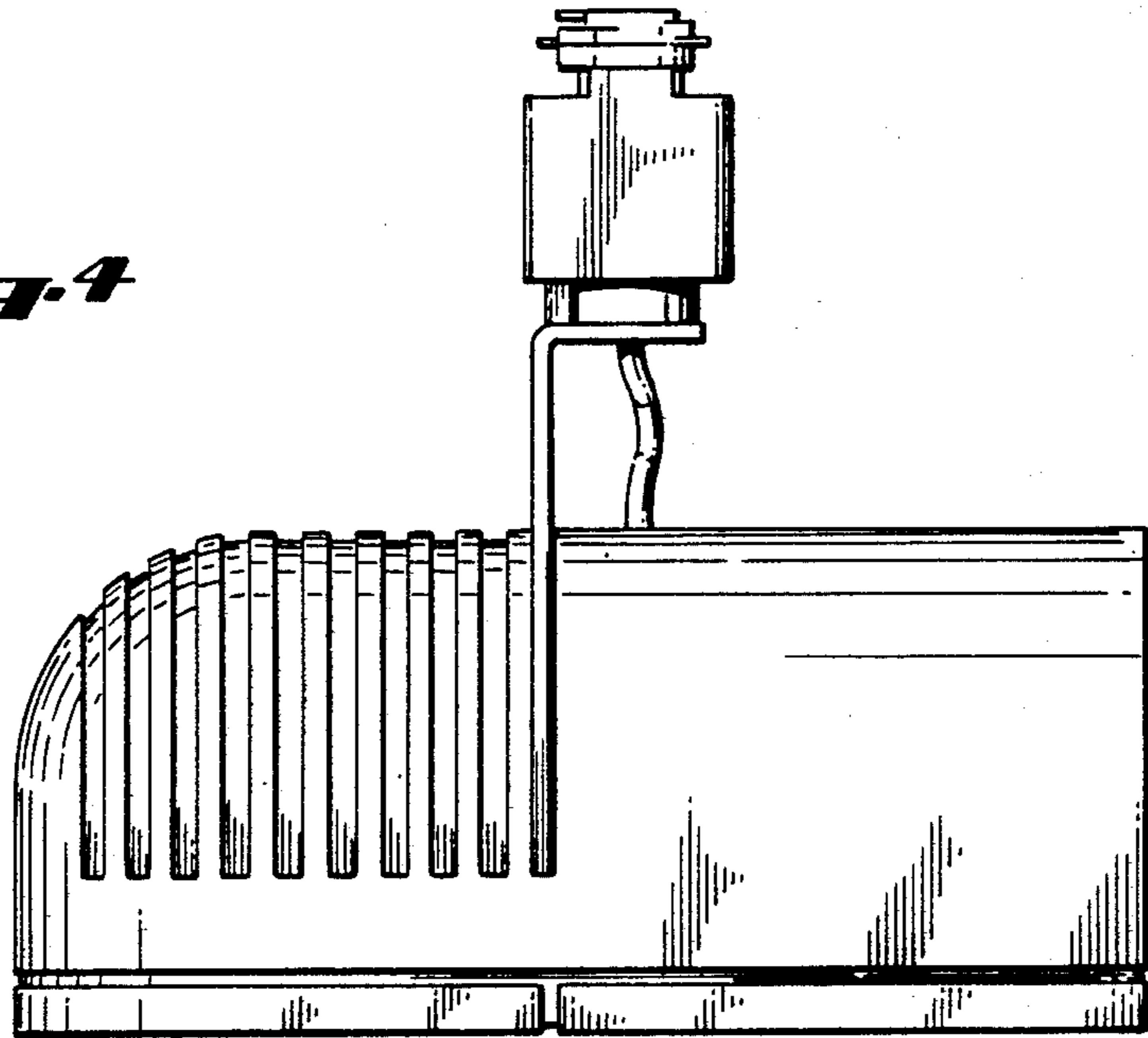


Fig. 5

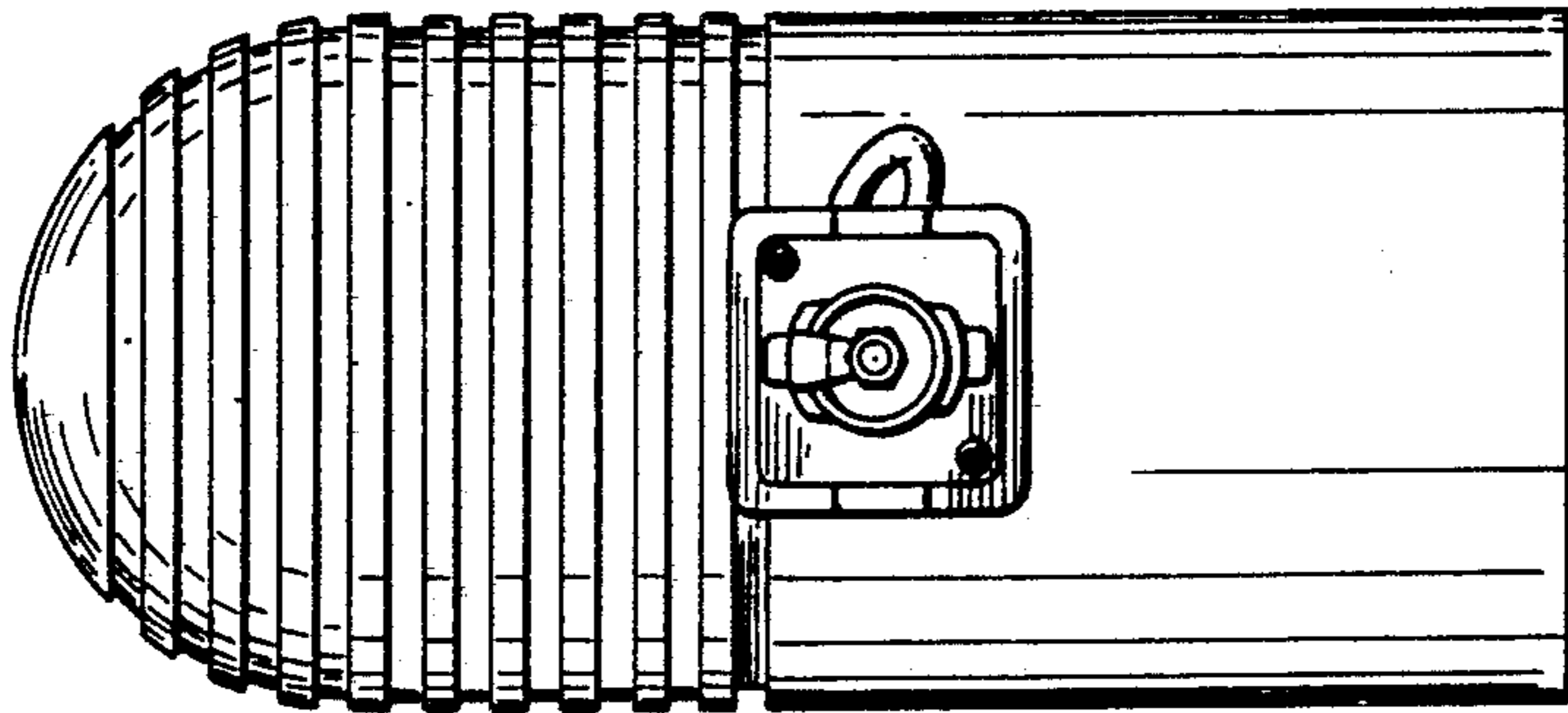


Fig. 7

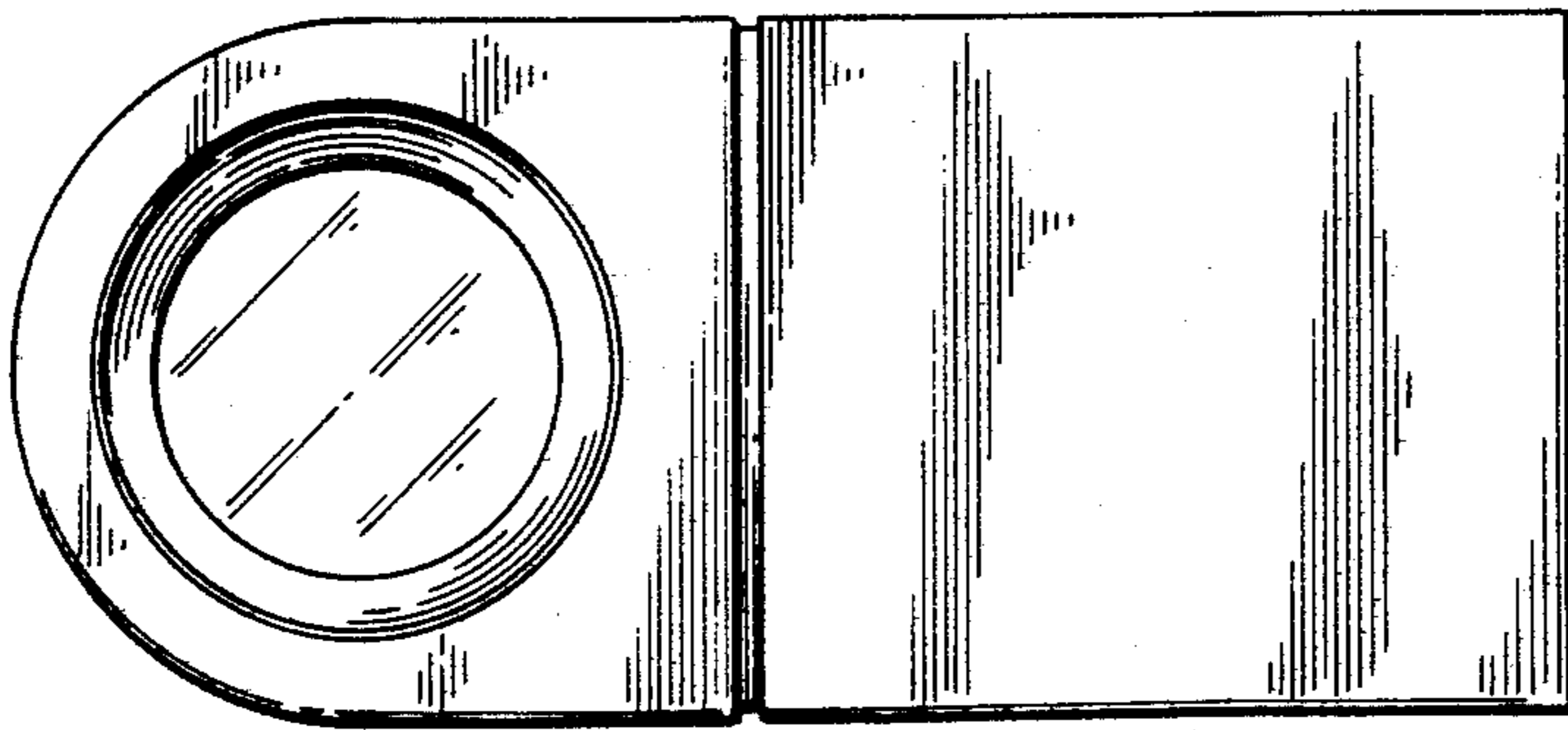
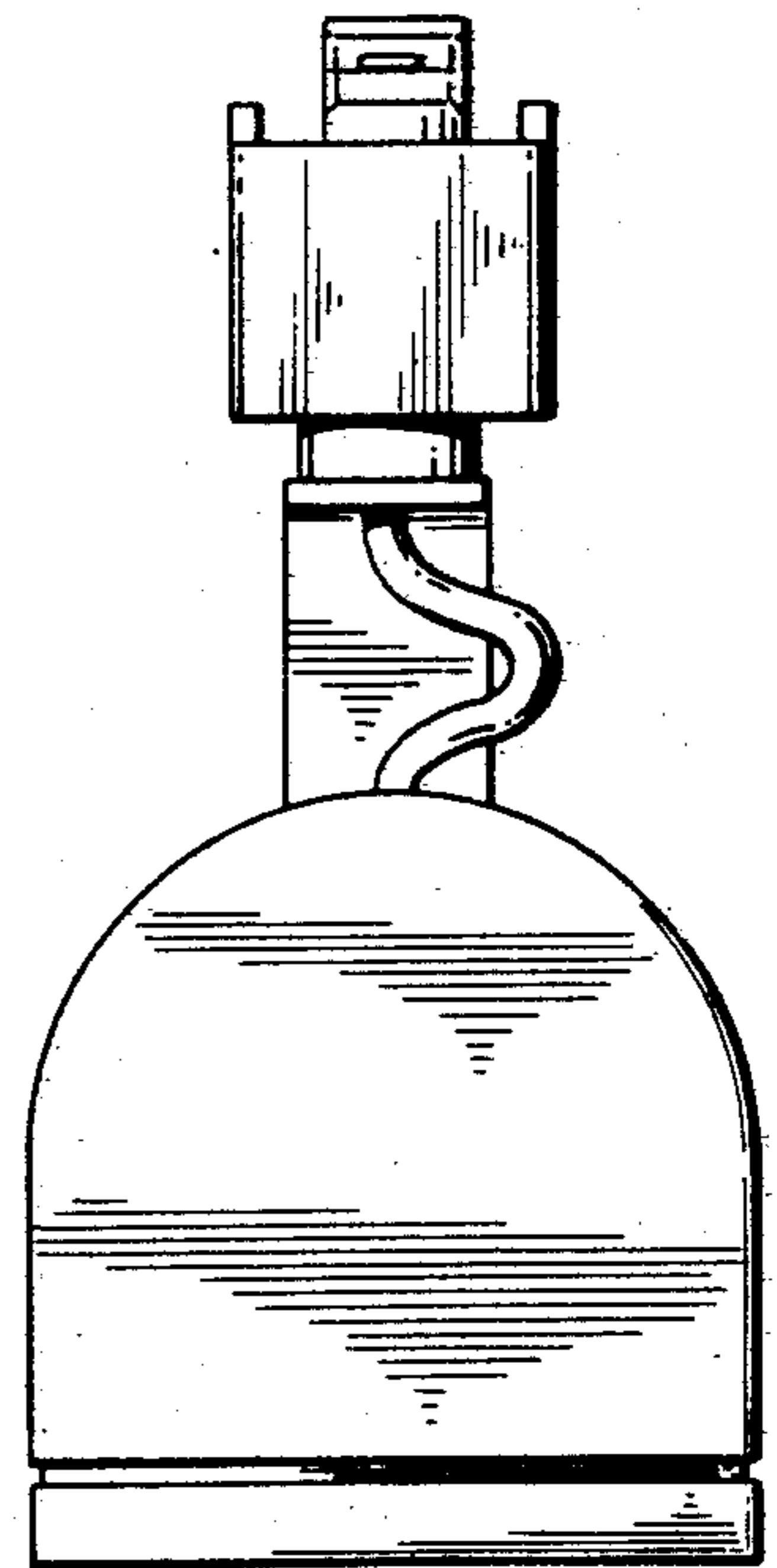


Fig. 6