

[54] PROTECTIVE CLOSURE FOR A MEDICAL CONTAINER

[75] Inventors: Hugh M. Forman, Waukesha, Wis.; E. Thomas Yatsko, Royersford, Pa.

[73] Assignee: Baxter Travenol Laboratories, Inc., Deerfield, Ill.

[**] Term: 14 Years

[21] Appl. No.: 660,612

[22] Filed: Oct. 12, 1984

[52] U.S. Cl. D24/51; D9/434; D24/53

[58] Field of Search D24/53, 51; 215/355, 215/33, 250, 247, 296, 320; 604/256, 415; D9/434, 439

[56] References Cited

U.S. PATENT DOCUMENTS

Re. 31,082	11/1982	Winchell	215/232
1,222,765	4/1917	Hudson	215/296
3,722,729	3/1973	Yamada	215/320 X
3,730,376	5/1973	Wood	220/27
3,746,001	7/1973	Ralston, Jr.	128/214 D
3,904,059	9/1975	Bellamy, Jr. et al.	215/247
3,998,349	12/1976	Megowen	215/355 X
4,046,276	9/1977	Winchell et al.	215/250
4,068,696	1/1978	Winchell	150/8
4,171,236	10/1979	Winchell et al.	156/69
4,227,954	10/1980	Ward et al.	156/250
4,415,393	11/1983	Grimes	156/244.13
4,484,916	11/1984	McPhee	215/355 X
4,523,691	6/1985	Larkin et al.	604/415 X

FOREIGN PATENT DOCUMENTS

812085	5/1969	Canada	
2802511	7/1978	Fed. Rep. of Germany	215/355
851045	9/1985		
70149	9/1930	Sweden	215/355

Primary Examiner—A. Hugo Word

Assistant Examiner—Stella M. Reid

Attorney, Agent, or Firm—Bradford R. L. Price, Jr.; John P. Kirby, Jr.; Paul-C. Flattery

[57] CLAIM

The ornamental design of a protective closure for a medical container, substantially as shown and described.

DESCRIPTION

FIG. 1 is a side elevational view of a protective closure for a medical container showing our new design, the broken line representing the container to illustrate the environment for the closure only and forming no part of the claimed design.

FIG. 2 is a top perspective view of the closure of FIG. 1;

FIG. 3 is a top plan view of the closure shown in FIG. 1;

FIG. 4 is a bottom, rear perspective view of the closure shown in FIG. 1;

FIG. 5 is a bottom plan view of the closure shown in FIG. 1;

FIG. 6 is a front elevational view of the closure shown in FIG. 1;

FIG. 7 is a side elevational view of the closure shown in FIG. 1, taken from the right side of FIG. 6;

FIG. 8 is a cross-sectional view taken at line 8—8 of FIG. 6;

FIG. 9 is a front elevational view of a second embodiment of the closure of the present invention;

FIG. 10 is a side elevational view taken from the right side of FIG. 9;

FIG. 11 is a bottom plan view taken from the top of FIG. 9;

FIG. 12 is a top plan view of the closure shown in FIG. 9.

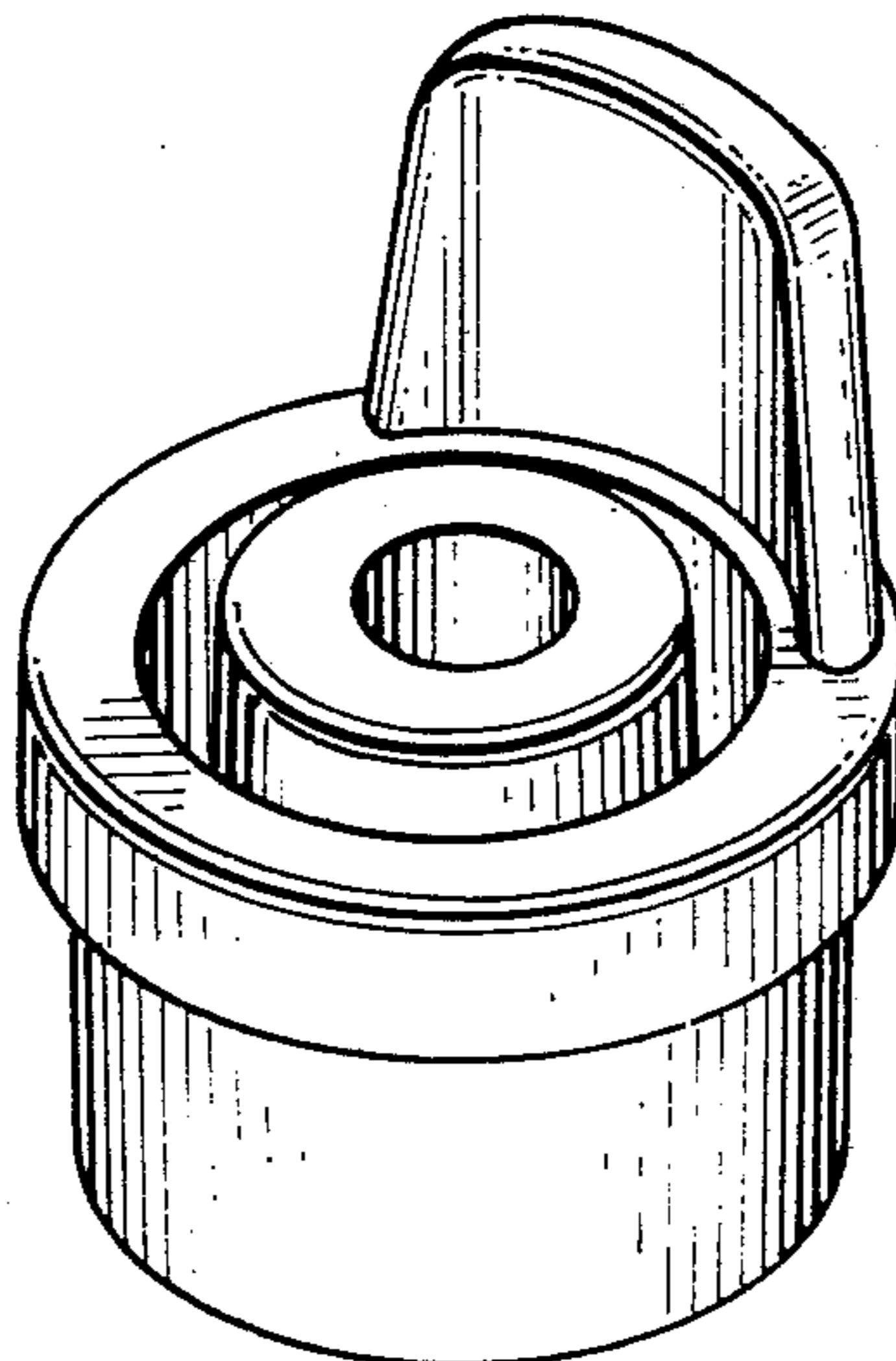


FIG. 1

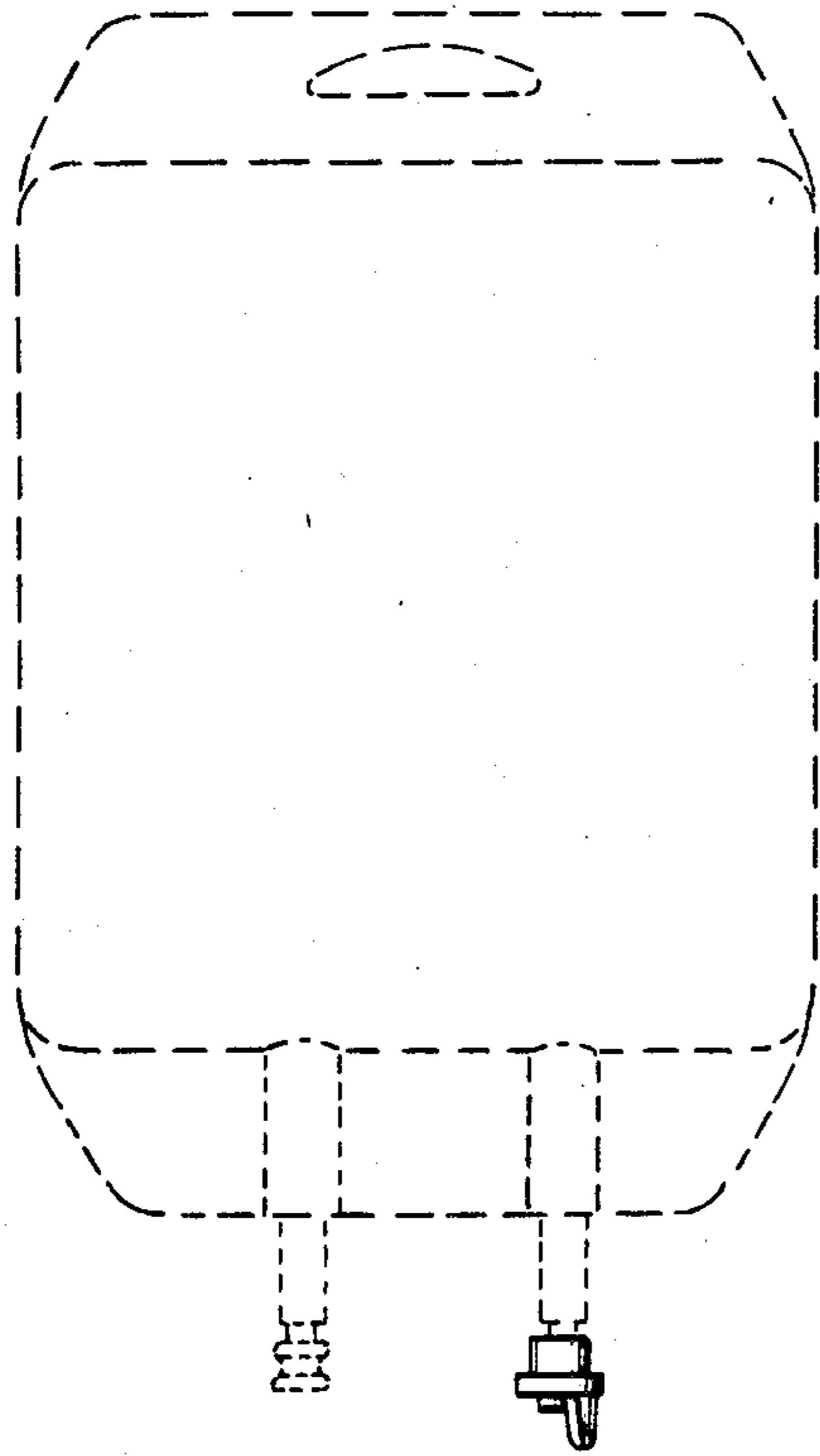


FIG. 2

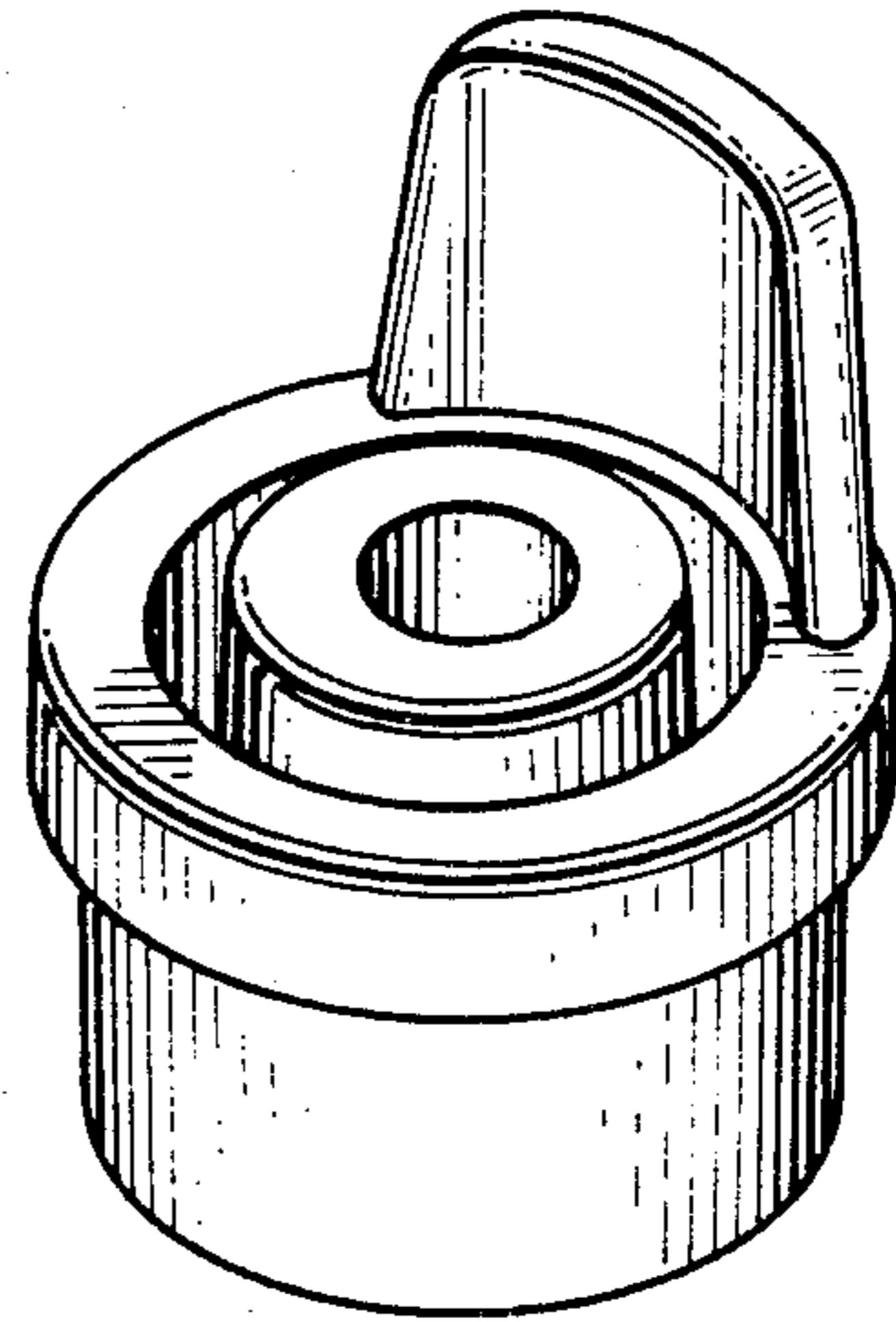


FIG. 3

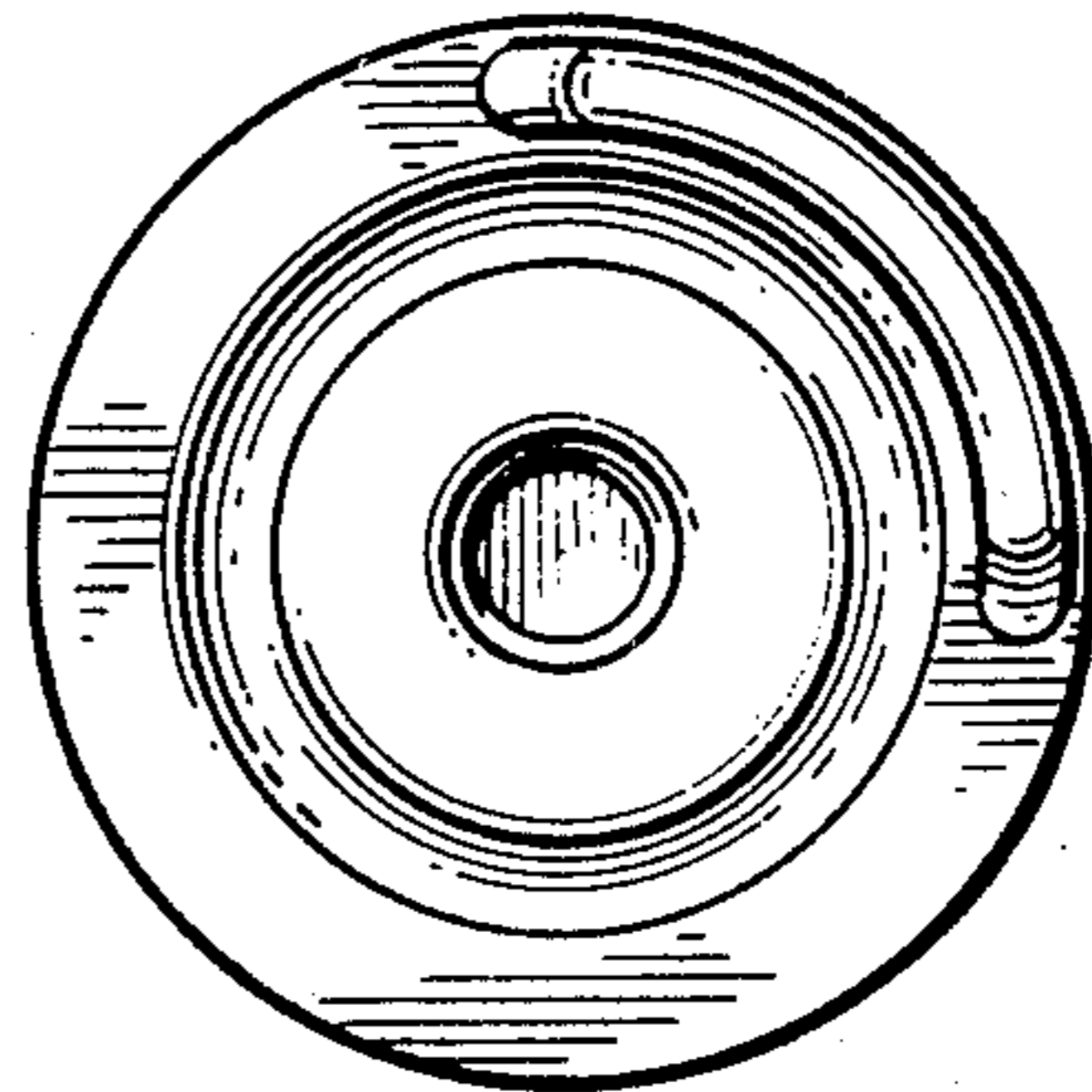


FIG. 4

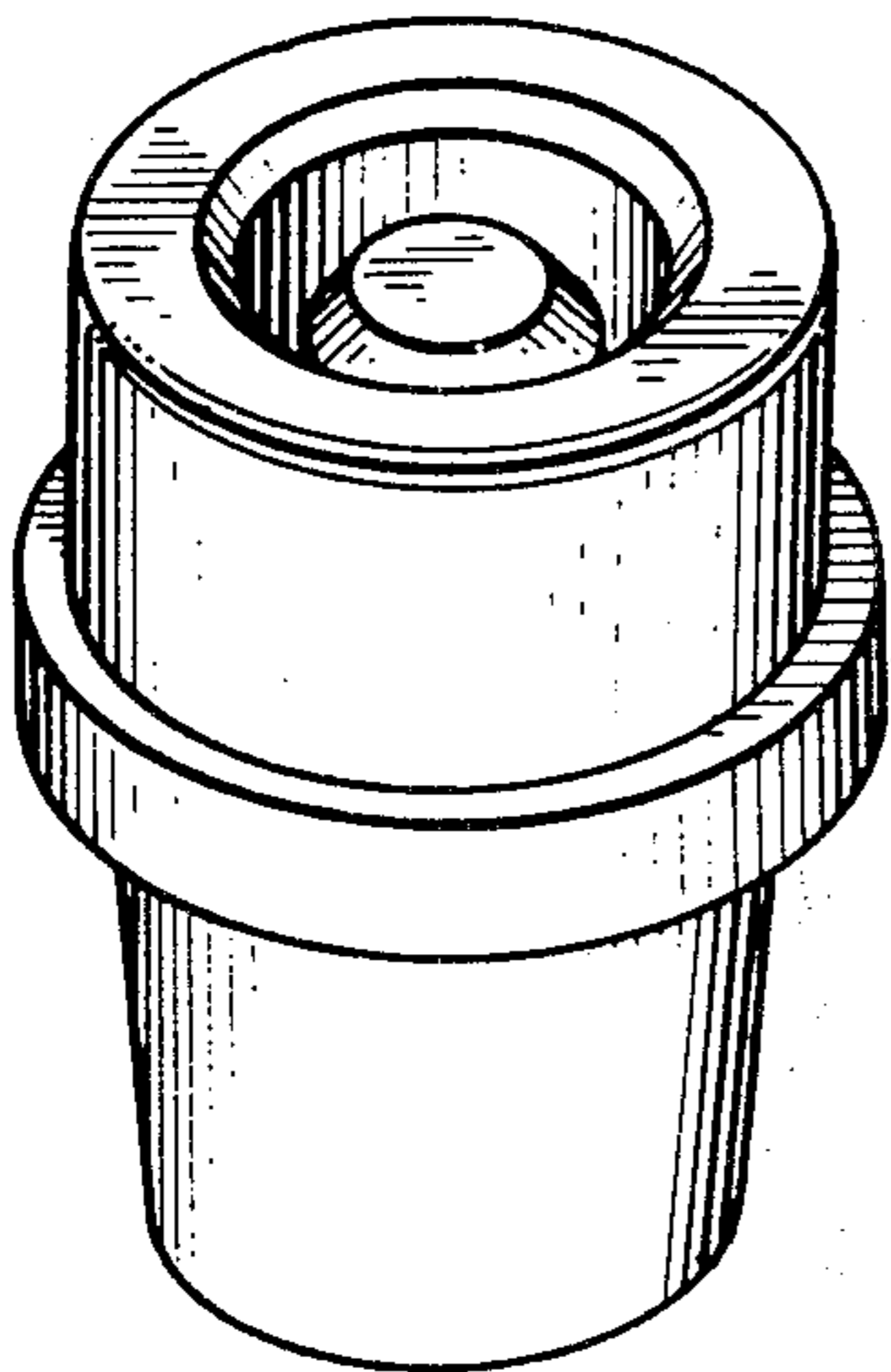


FIG. 5

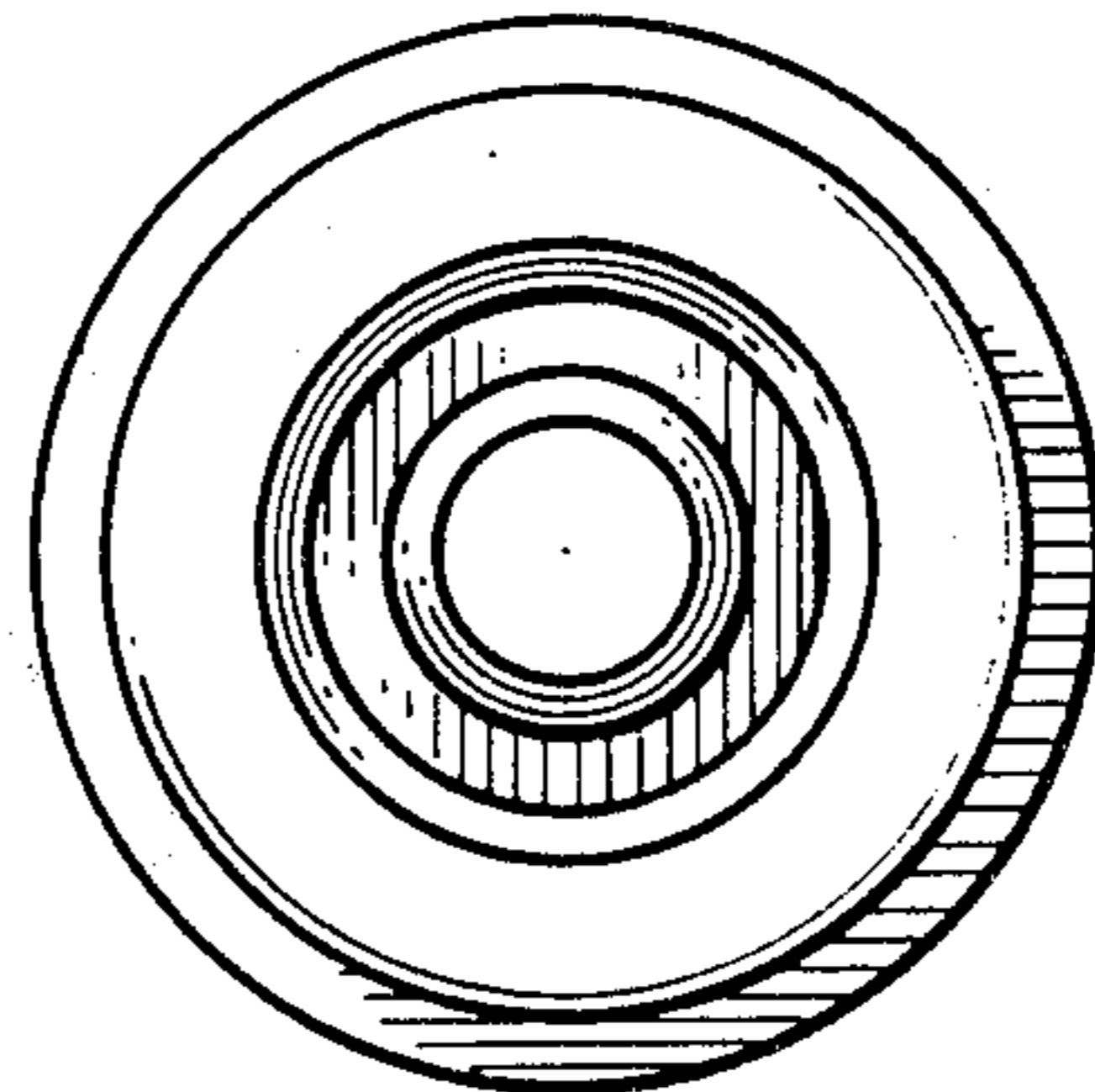


FIG. 6

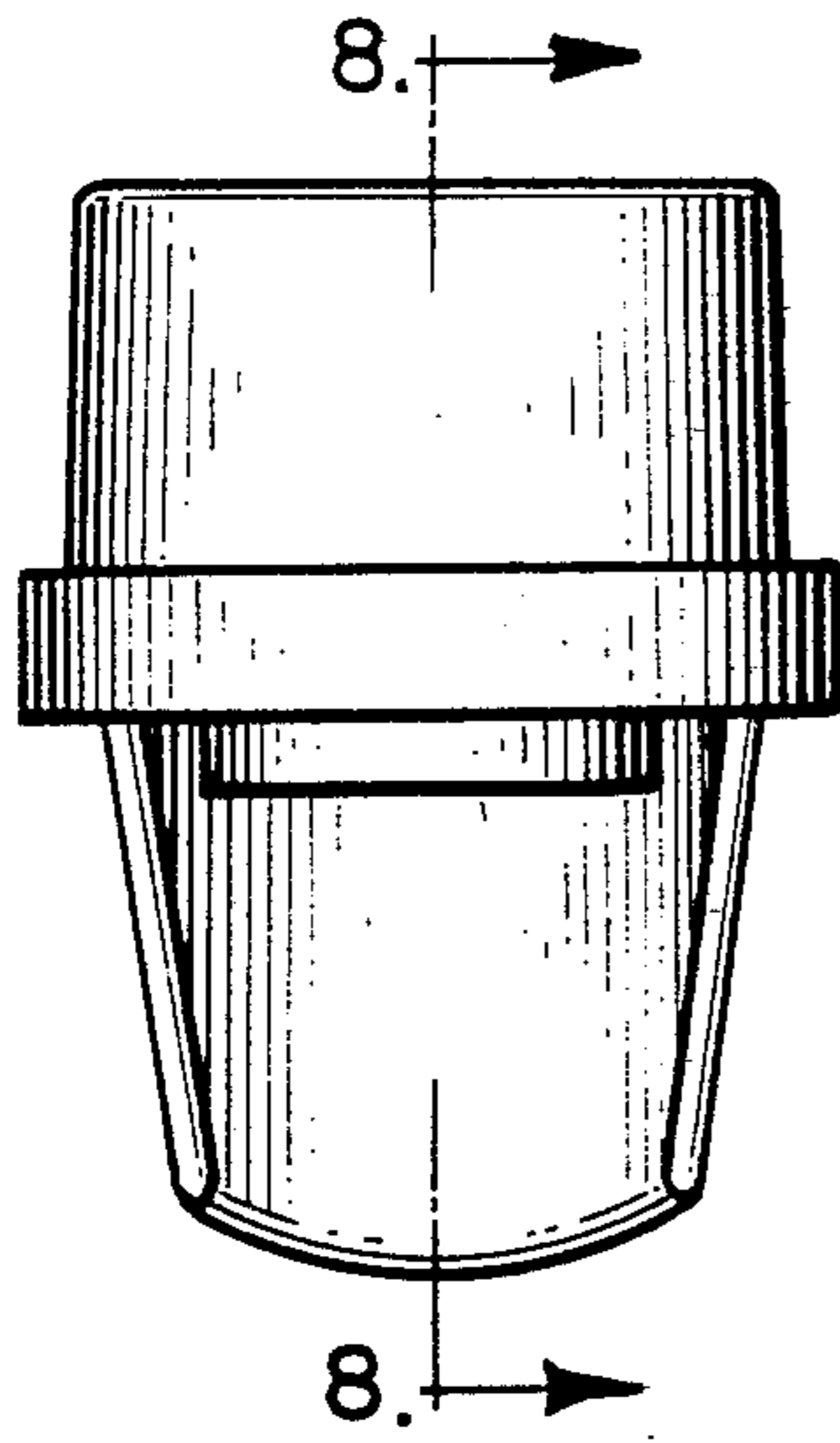


FIG. 7

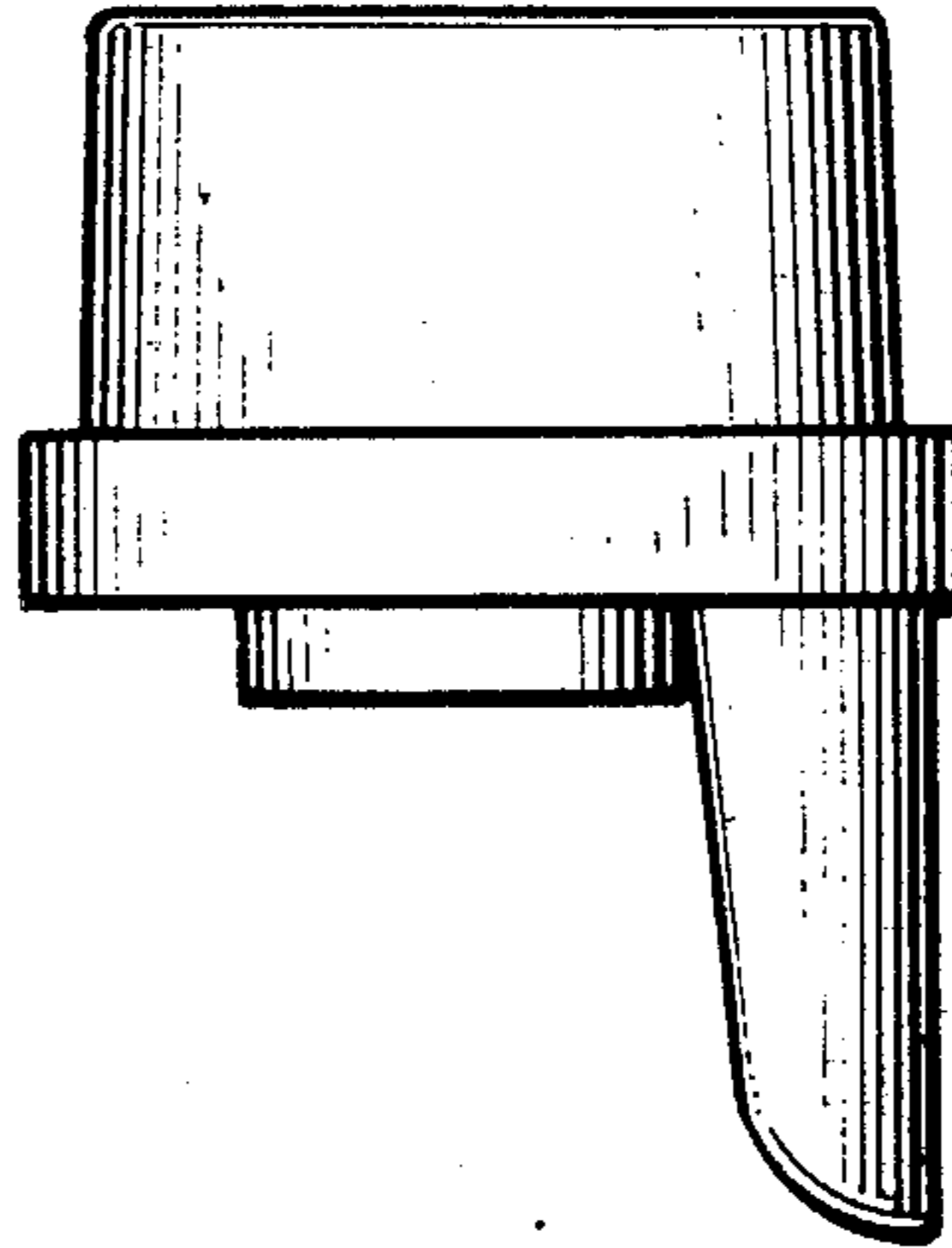


FIG. 8

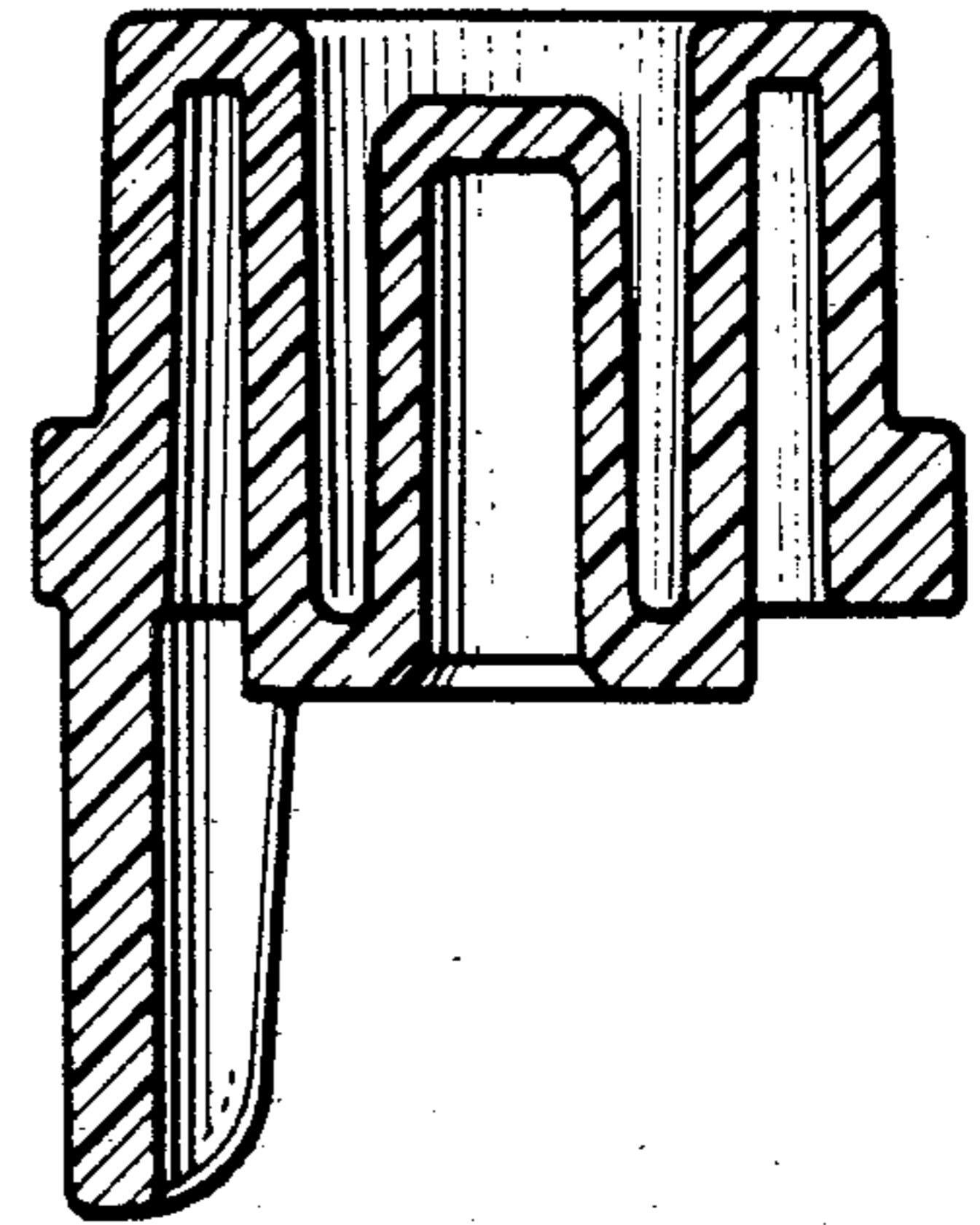


FIG. 9

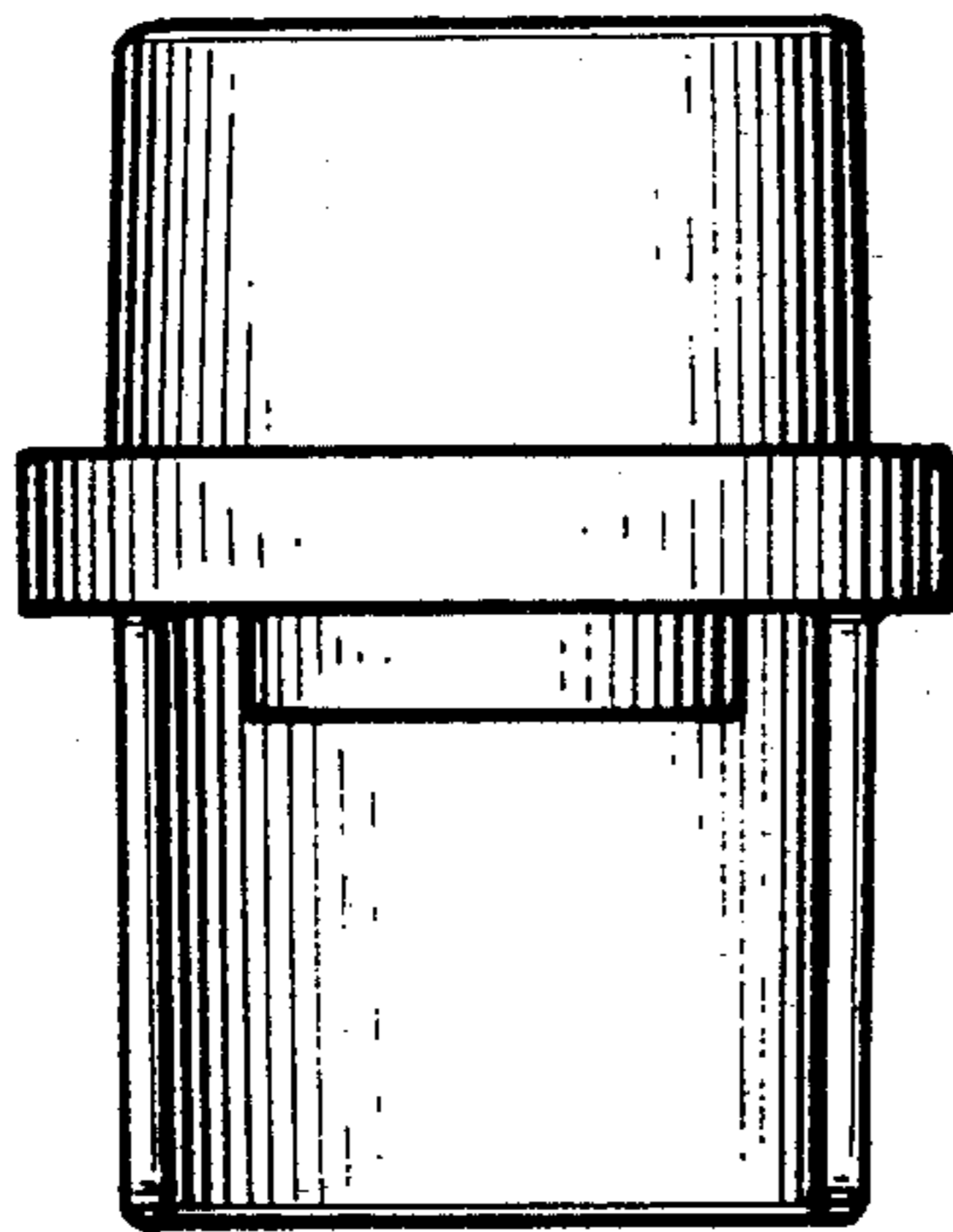


FIG. 11

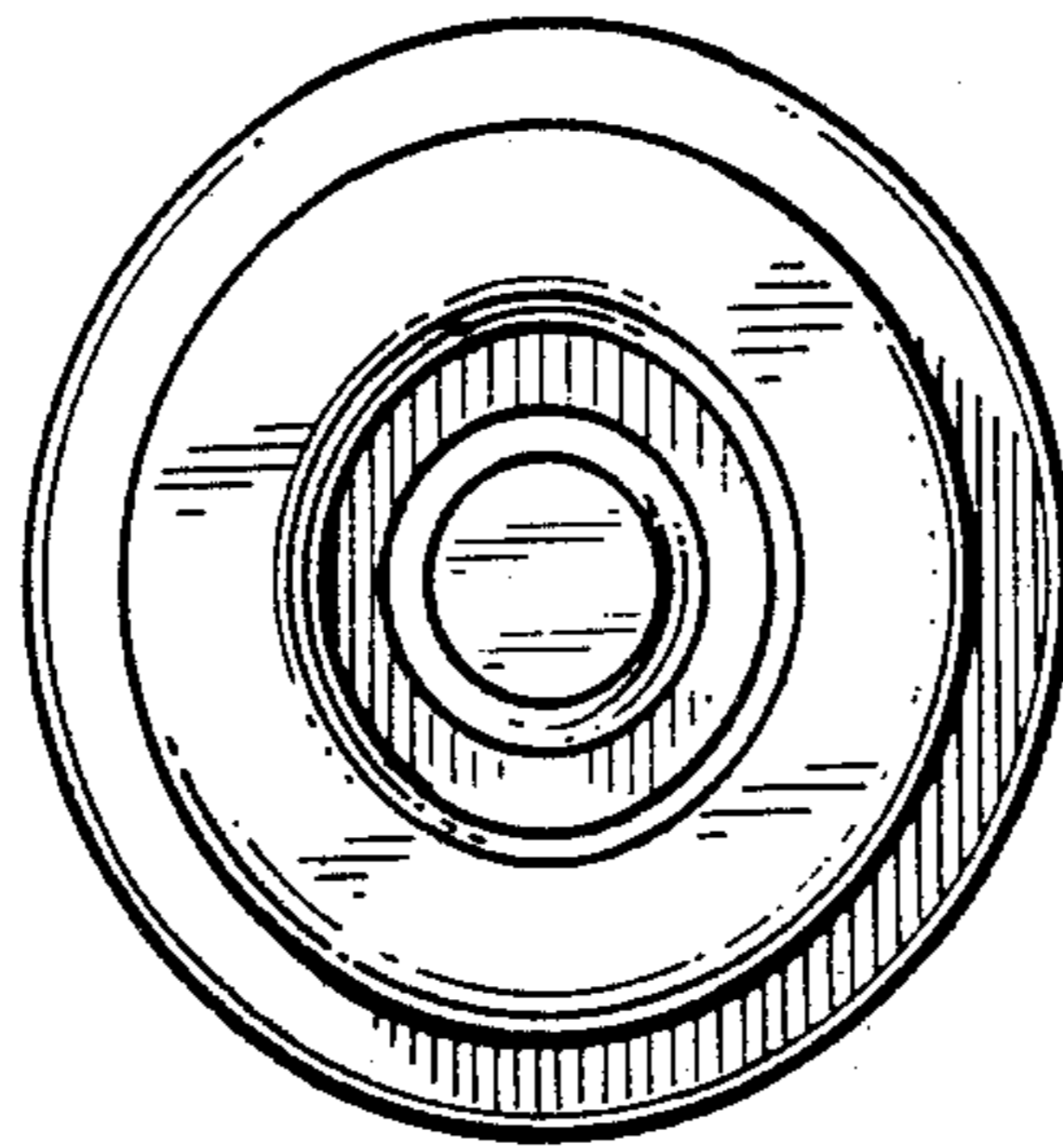


FIG. 10

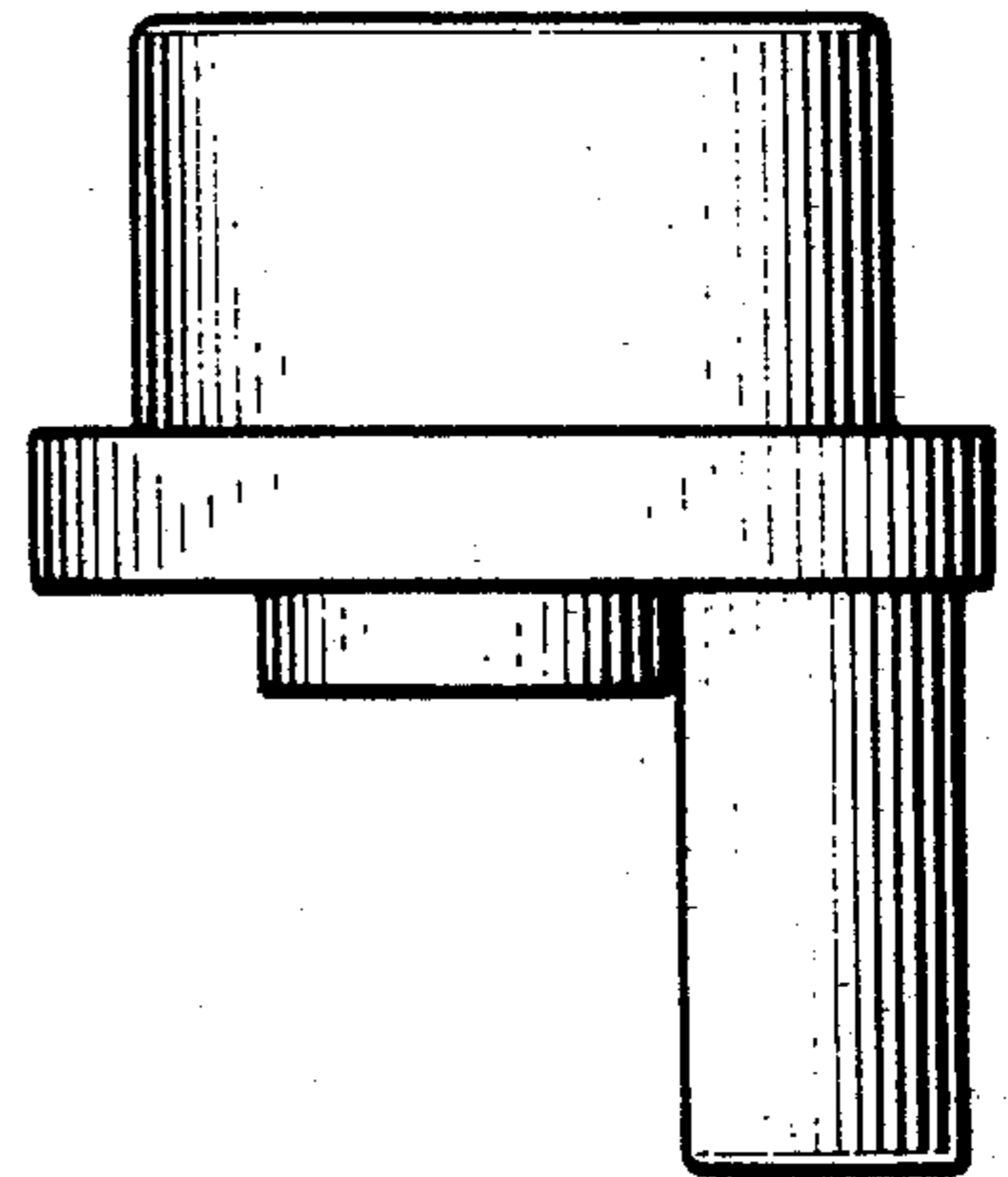


FIG. 12

