

[54] COMBINED NURSING BOTTLE SUPPORT AND HOLDER

[76] Inventor: Arthur M. Hudson, P.O. Box 23026, Oklahoma City, Okla. 73123

[\*\*] Term: 14 Years

[21] Appl. No.: 718,534

[22] Filed: Apr. 1, 1985

[52] U.S. Cl. .... D24/48

[58] Field of Search ..... D24/48, 47; 248/103, 248/105, 106, 107, 102

[56] References Cited

U.S. PATENT DOCUMENTS

D. 180,185	4/1957	Griener	.....	D24/48
1,082,808	12/1913	Hubbard	.....	248/107 X
2,349,054	5/1944	Phipps	.....	248/106
2,557,570	6/1951	Seiger	.....	248/106 X
2,909,345	10/1959	Matsuoka	.....	248/106

FOREIGN PATENT DOCUMENTS

553615	5/1923	France	.....	248/103
--------	--------	--------	-------	---------

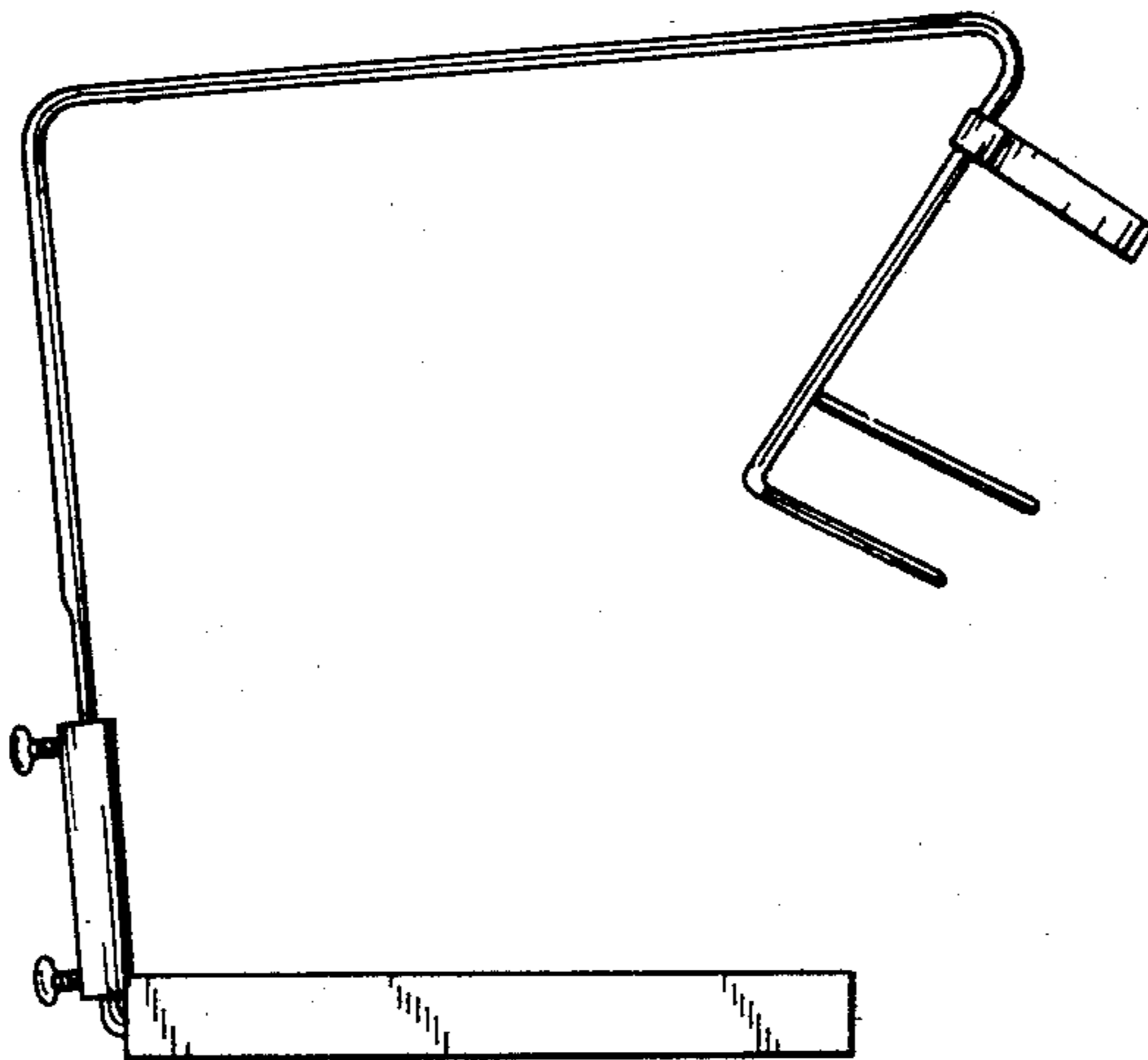
Primary Examiner—A. Hugo Word  
Assistant Examiner—Stella M. Reid  
Attorney, Agent, or Firm—Glen M. Burdick

[57] CLAIM

The ornamental design for a combined nursing bottle support and holder, substantially as shown and described.

DESCRIPTION

FIG. 1 is an elevational view of one side of a combined nursing bottle support and holder showing my new design;  
FIG. 2 is an elevational view of the opposite side of the design shown in FIG. 1;  
FIG. 3 is a front elevational view of the design shown in FIG. 1;  
FIG. 4 is a rear elevational view of the design shown in FIG. 1;  
FIG. 5 is a top plan view of the design shown in FIG. 1; and  
FIG. 6 is a bottom plan view of the design shown in FIG. 1.



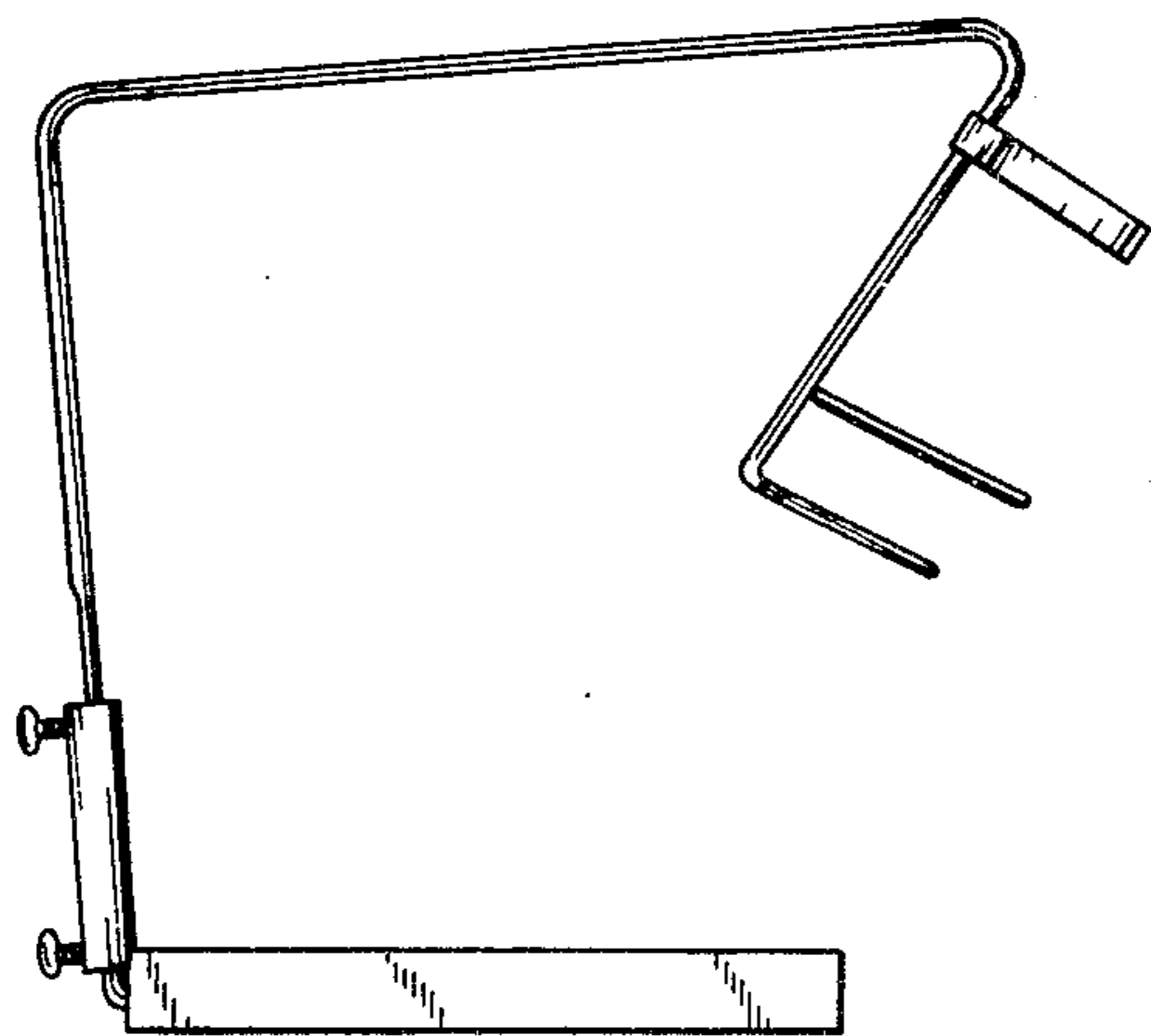


FIG. 1

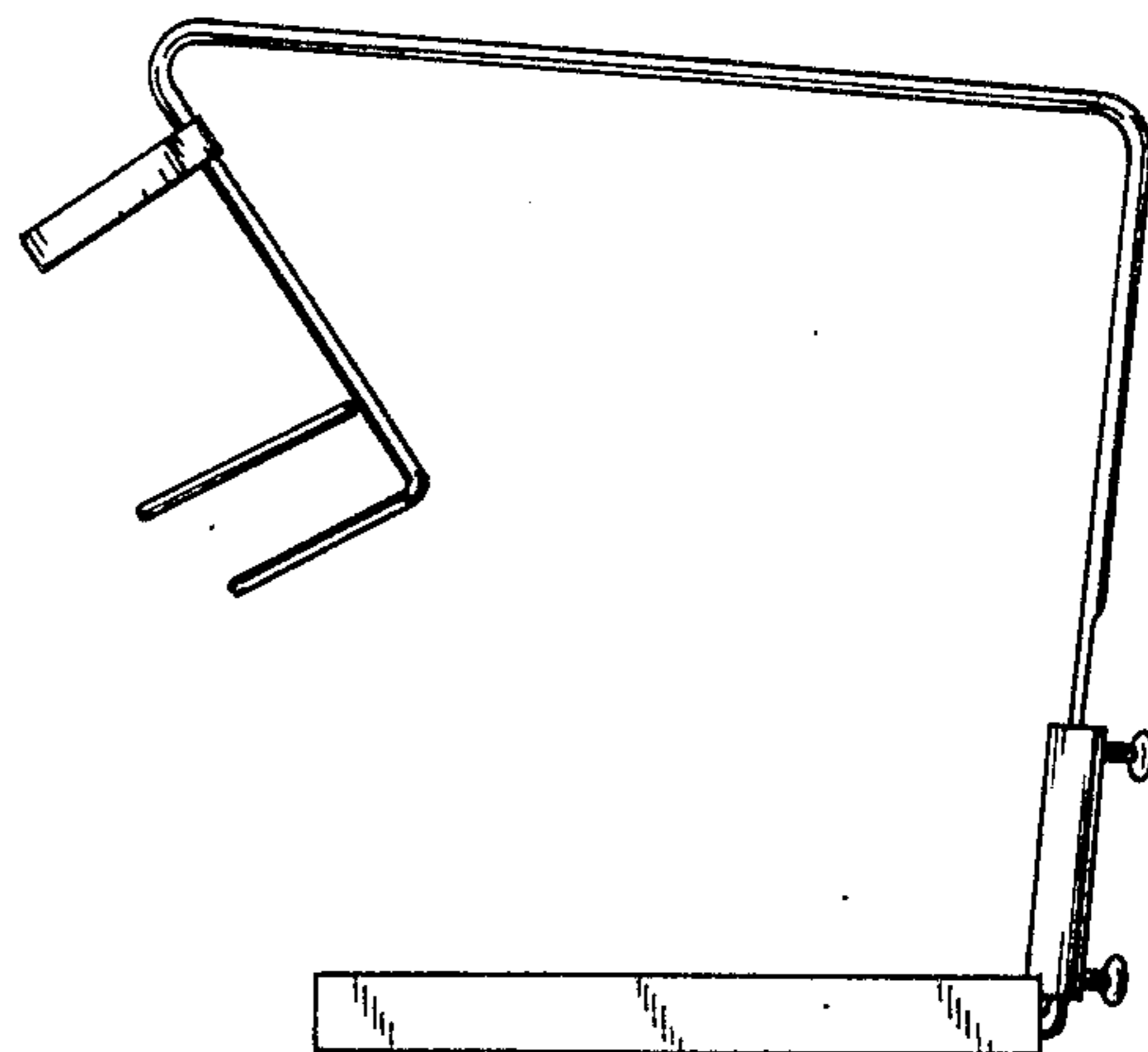


FIG. 2

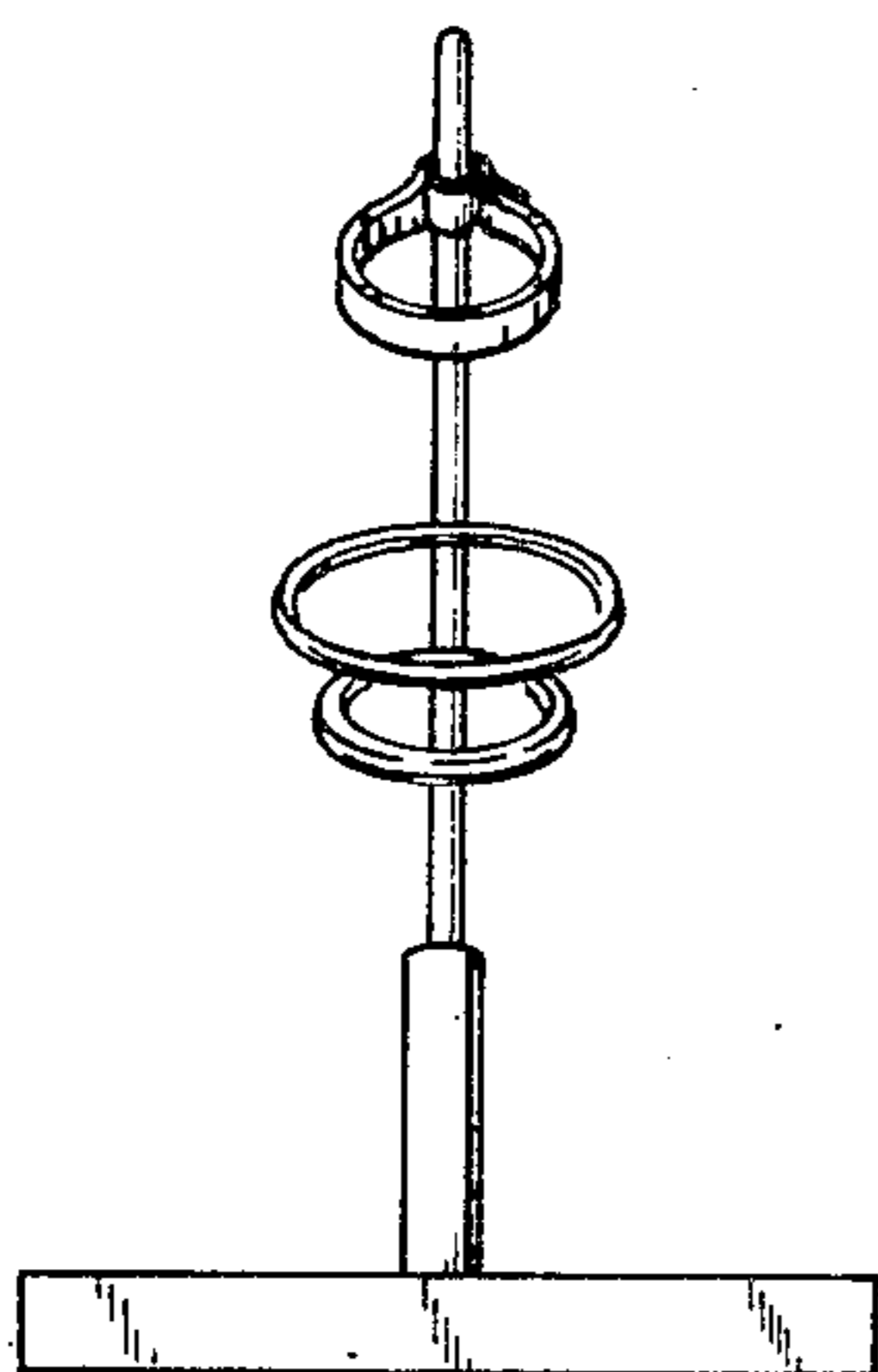


FIG. 3

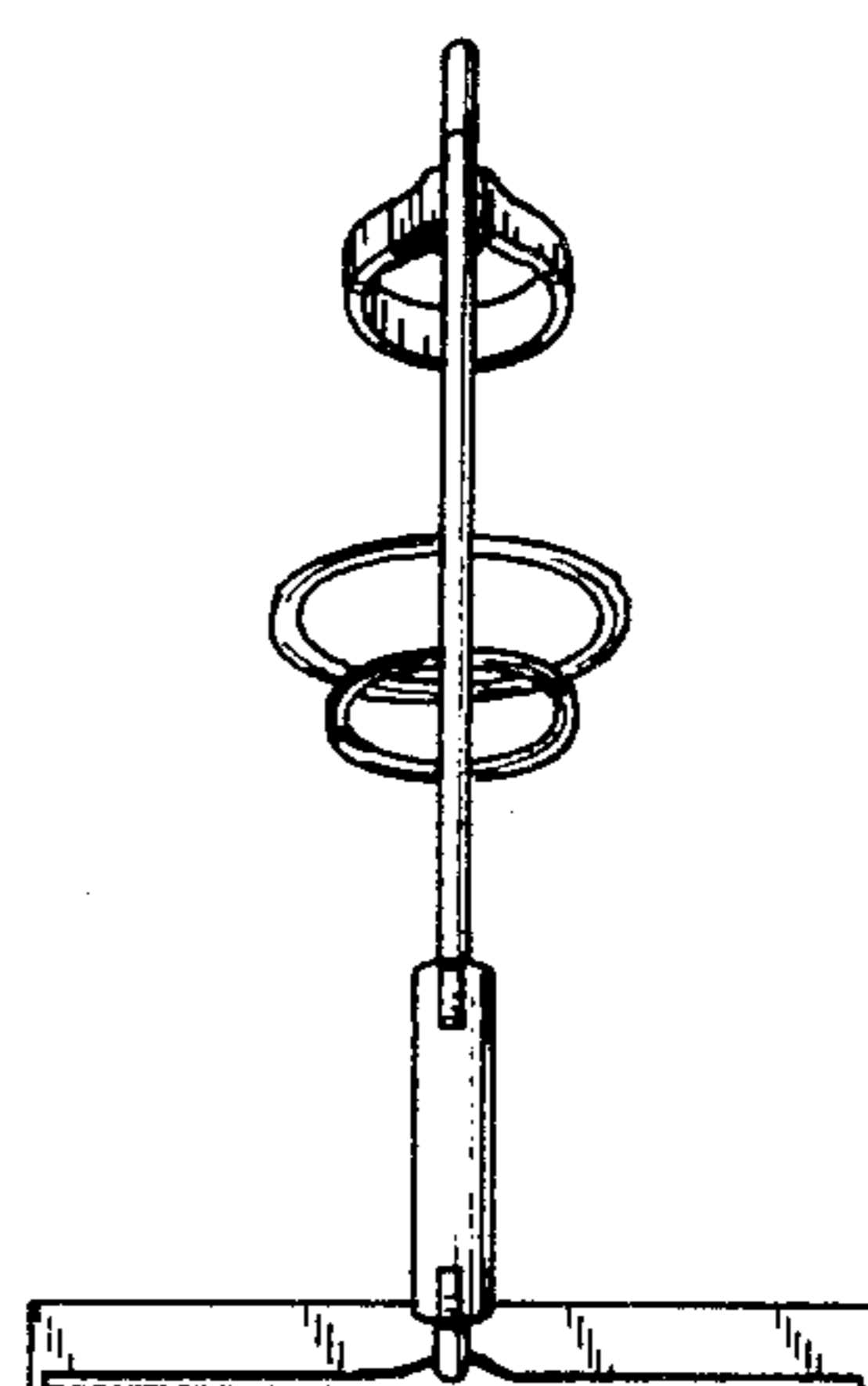


FIG. 4

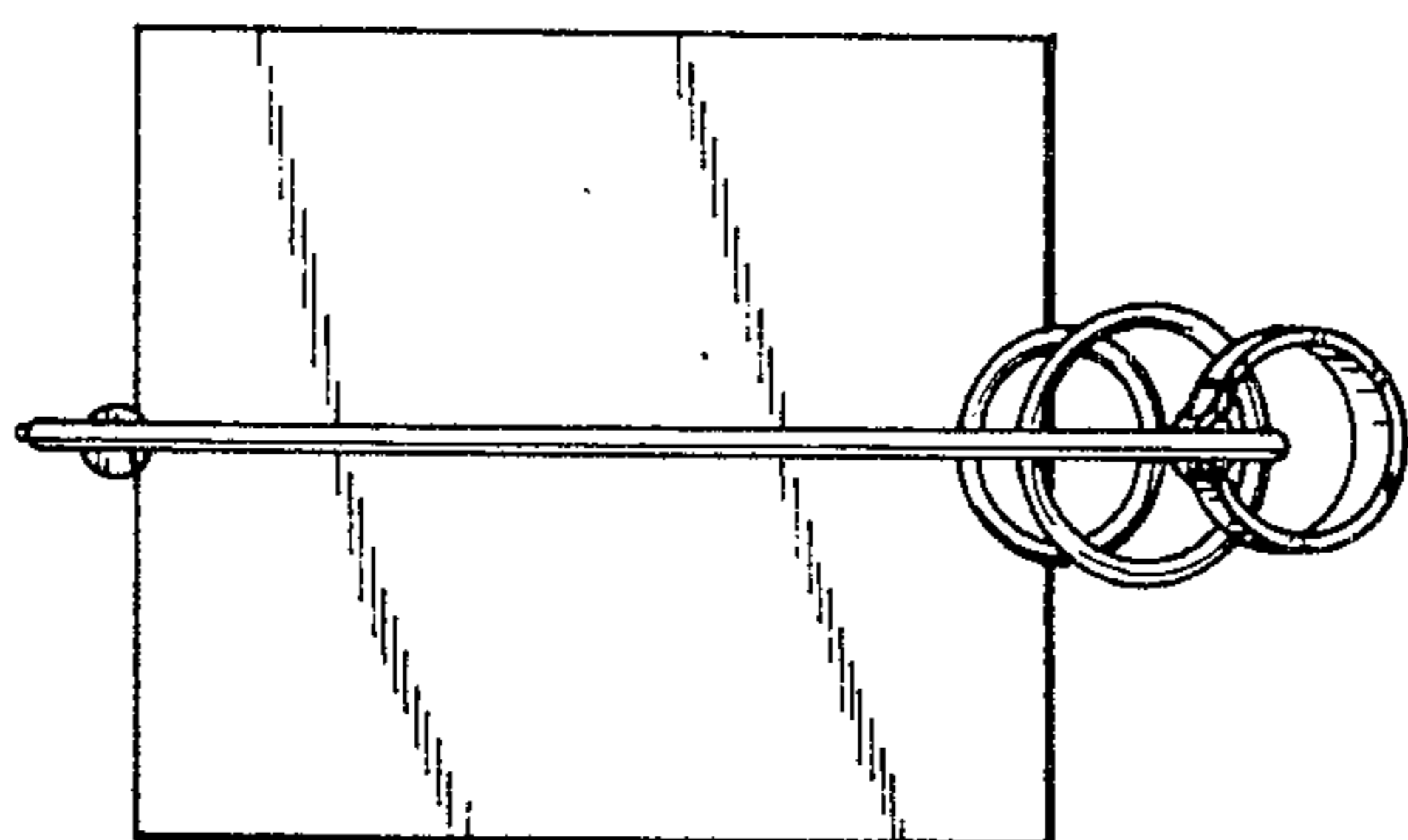


FIG. 5

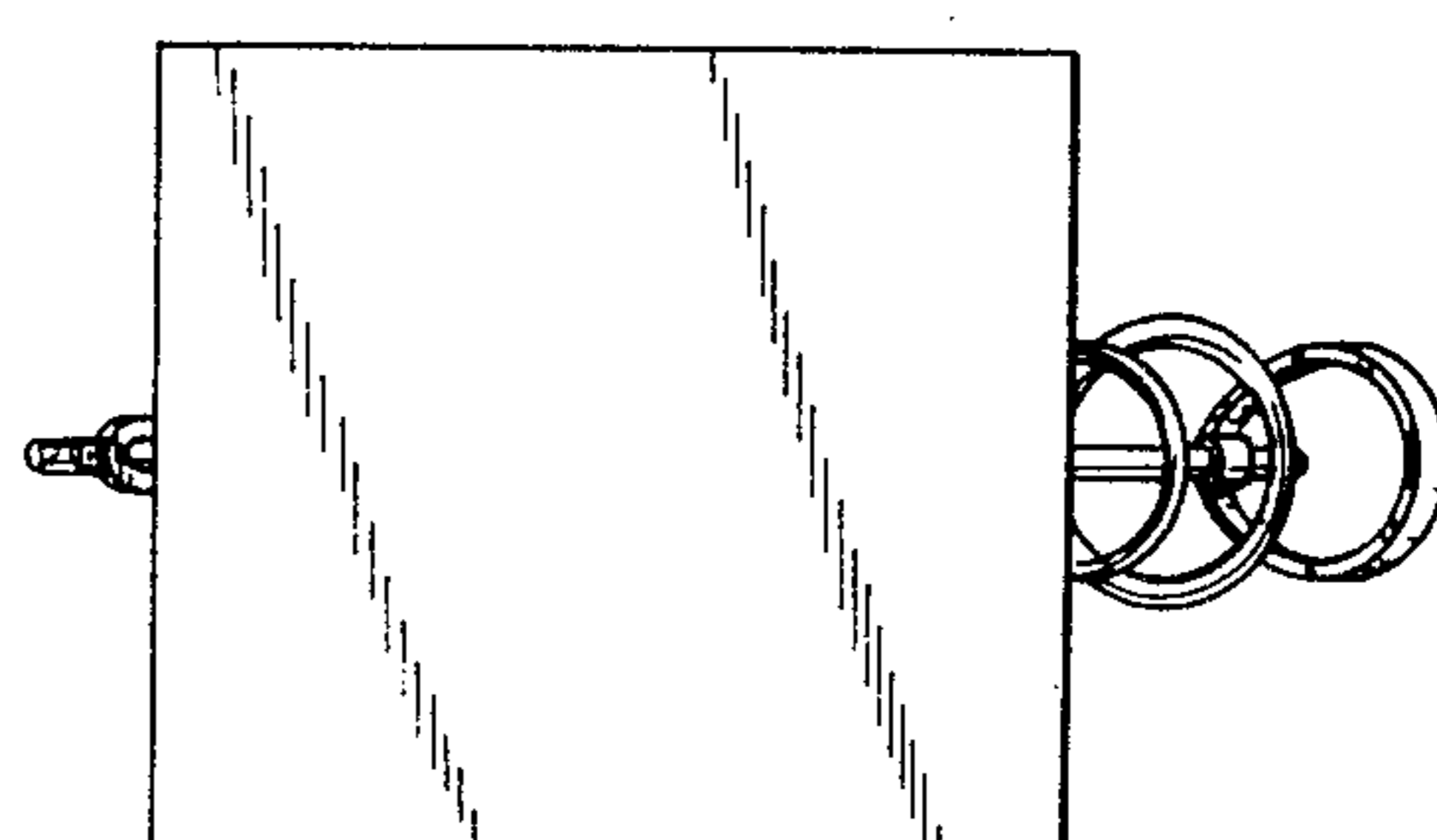


FIG. 6