

United States Patent [19]

Giron, III

[11] Patent Number: **Des. 292,217**

[45] Date of Patent: **** Oct. 6, 1987**

[54] GUITAR

[76] Inventor: **Rudolph J. Giron, III**, 1674 Griffith Park Blvd., Los Angeles, Calif. 90026

[**] Term: **14 Years**

[21] Appl. No.: **730,597**

[22] Filed: **May 6, 1985**

[52] U.S. Cl. **D17/19; D17/14; D17/20**

[58] Field of Search **D17/14, 15, 17, 18, D17/19, 20, 21, 99; 84/1.16, 267, 291, 293**

[56] **References Cited**

U.S. PATENT DOCUMENTS

D. 263,601 3/1982 Klein D17/18

D. 278,541 4/1985 Toth D17/14
D. 280,208 8/1985 Edwards D17/18 X
D. 280,520 9/1985 Edwards D17/18

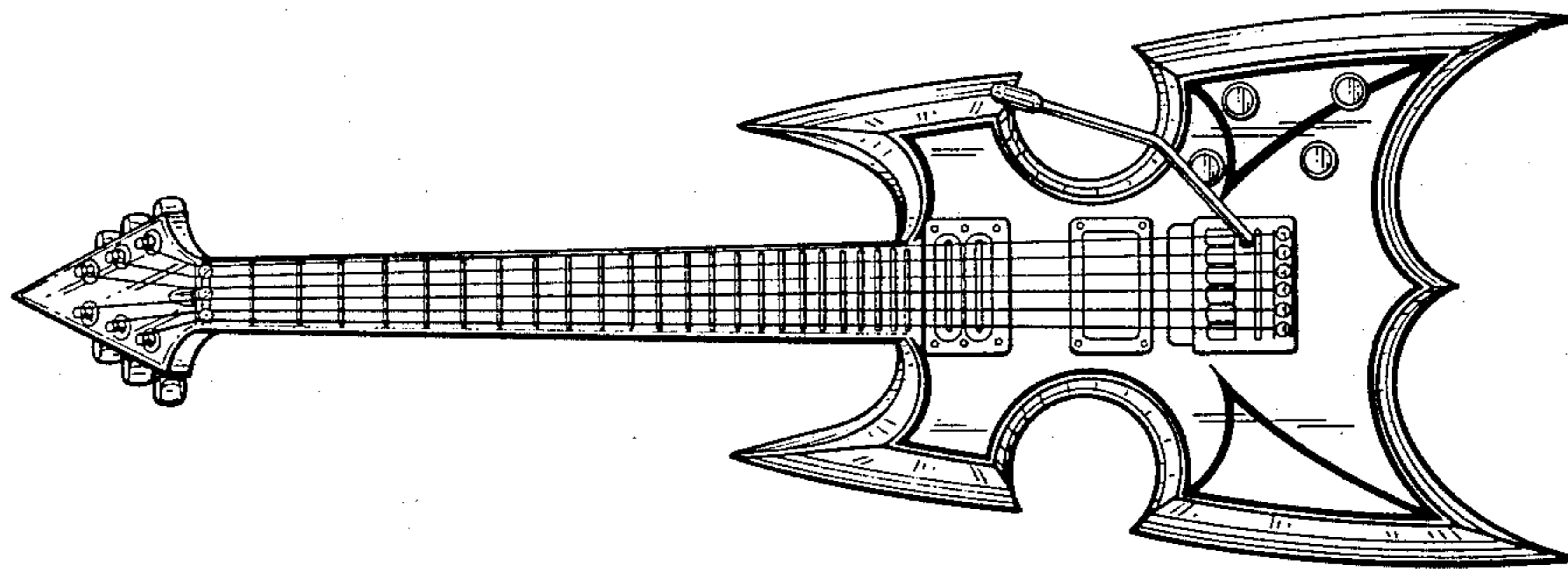
Primary Examiner—Bernard Ansher
Assistant Examiner—Theodore M. Shooman
Attorney, Agent, or Firm—Kelly, Bauersfeld & Lowry

[57] CLAIM

The ornamental design for a guitar, as shown.

DESCRIPTION

FIG. 1 is a top and side perspective view of a guitar showing my new design;
FIG. 2 is a top plan view thereof;
FIG. 3 is a bottom plan view thereof;
FIG. 4 is a side elevational view thereof;
FIG. 5 is a front elevational view thereof; and
FIG. 6 is a rear elevational view thereof.



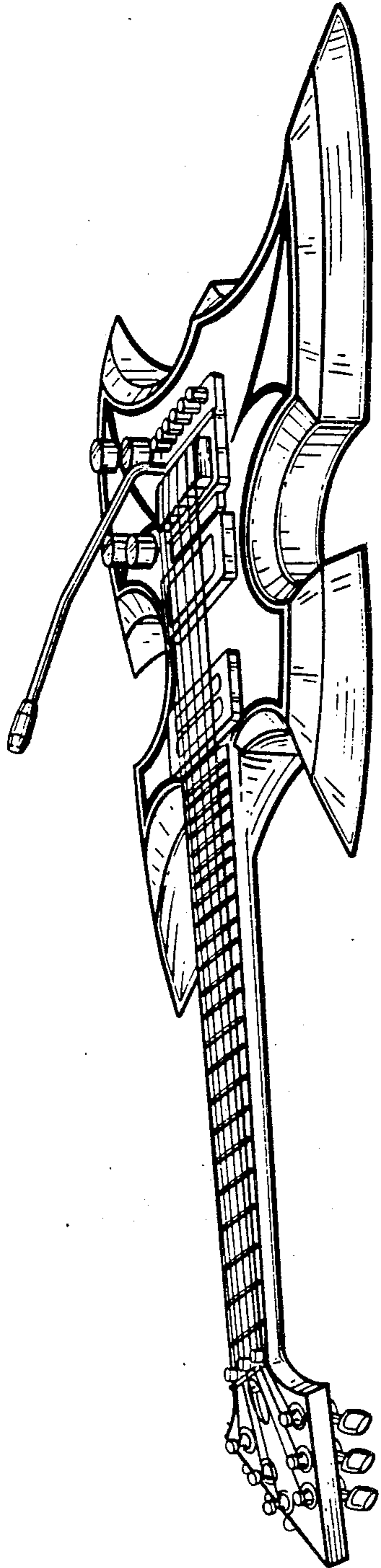


FIG. 1

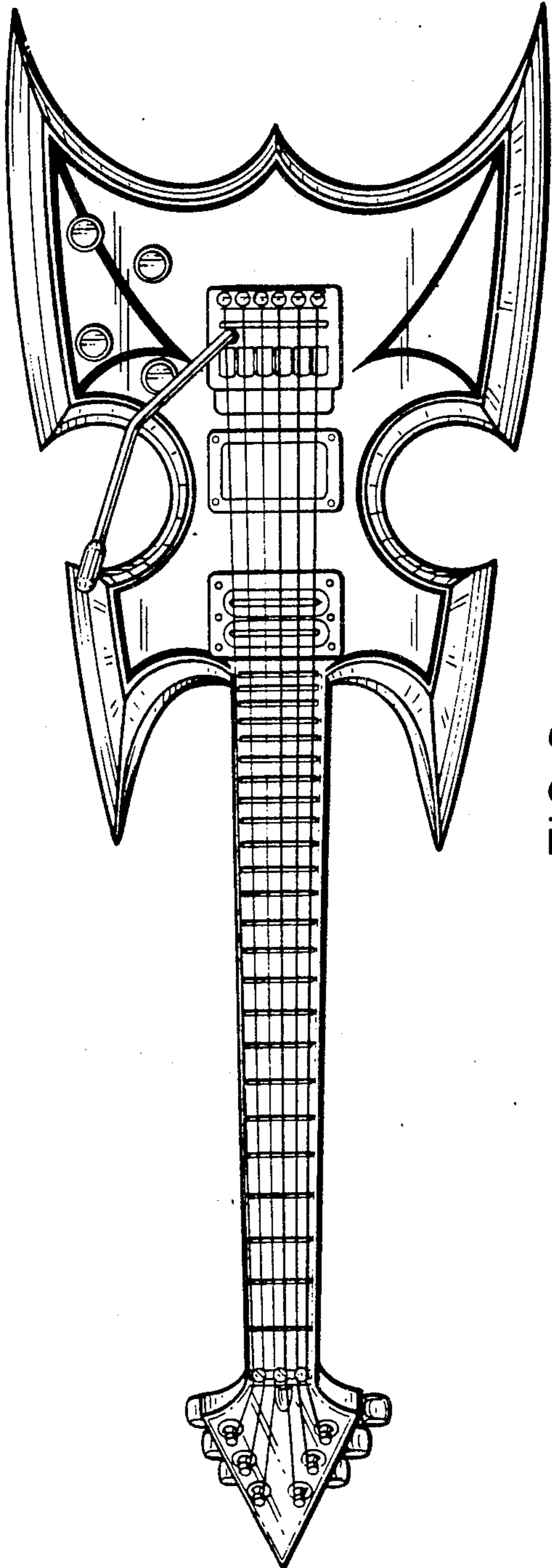


FIG. 2

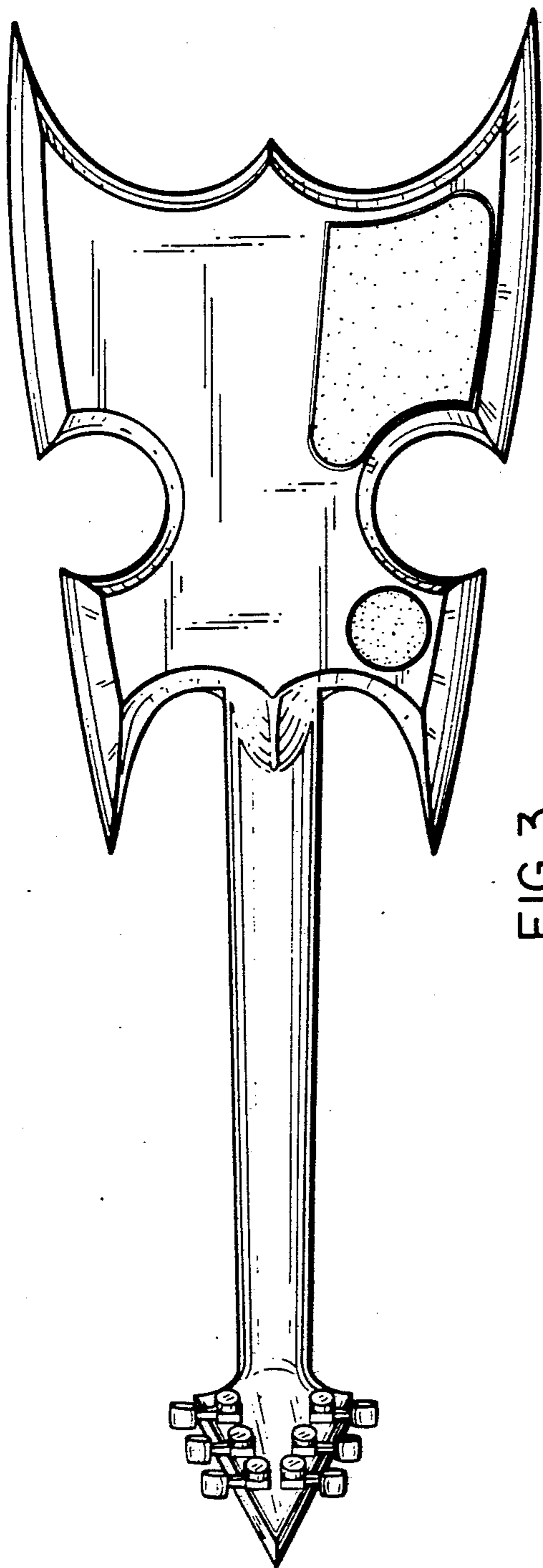


FIG. 3

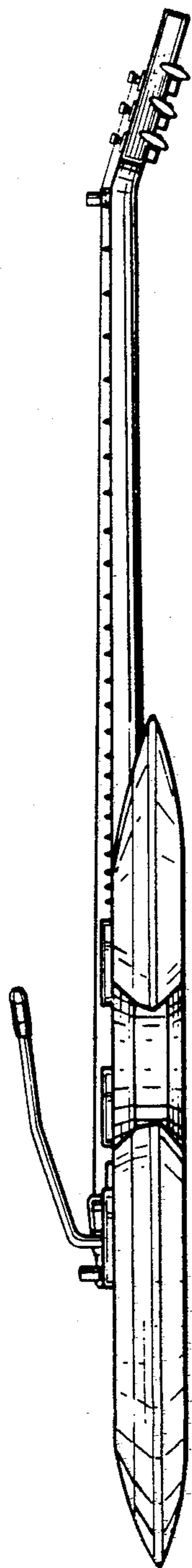


FIG. 4

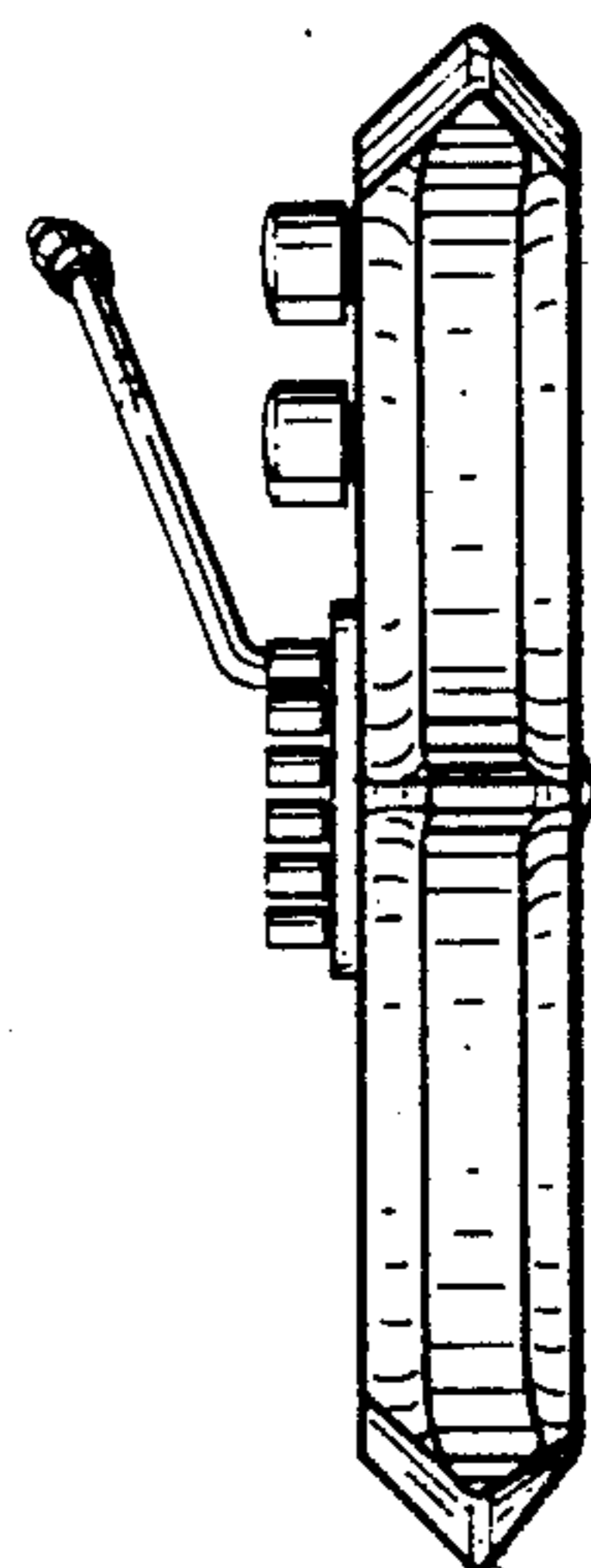


FIG. 6

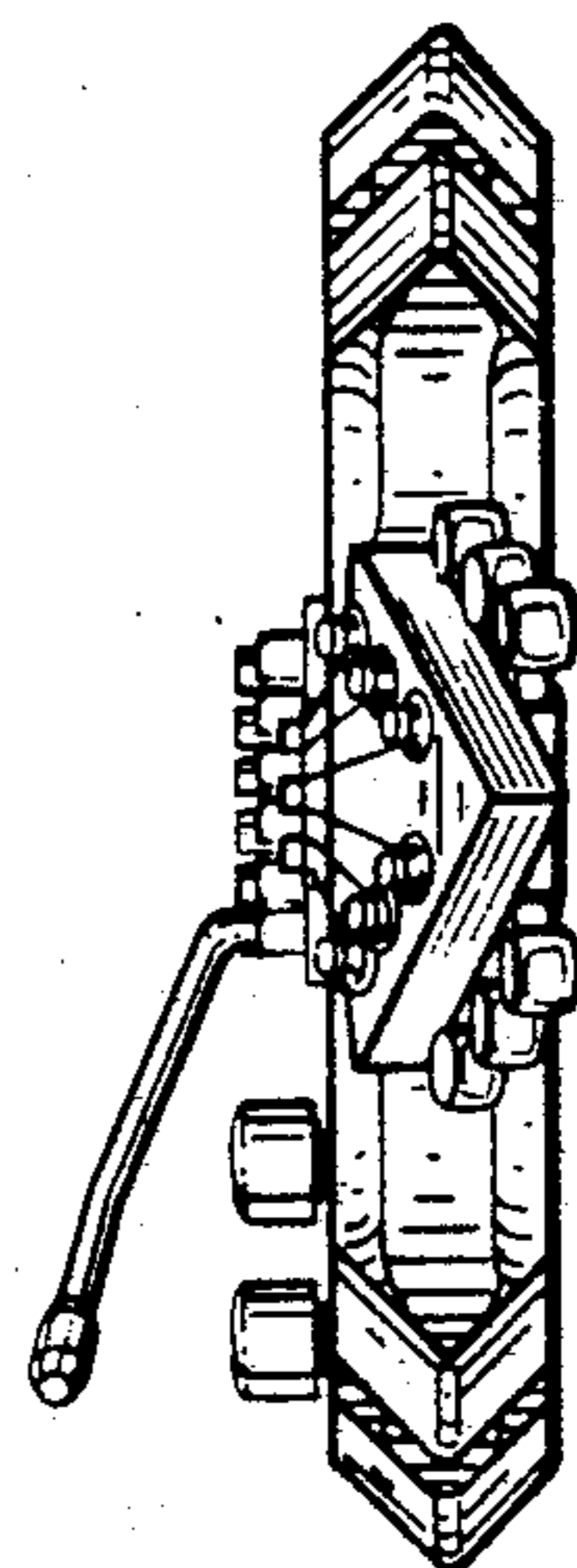


FIG. 5